

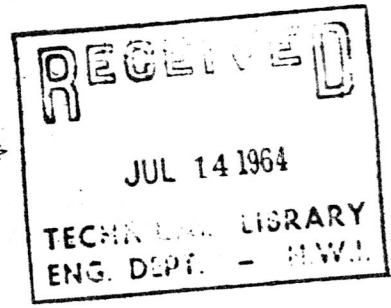
6-16-010-010/114-000

5-1

~~EO 20-85BA-4~~

RESCINDED

ROYAL CANADIAN AIR FORCE



PART LIST

LIQUIDOMETER GAUGE FUEL CONTENTS

REVISION
NOTICE

LATEST REVISED PAGES SUPERSEDE
THE SAME PAGES OF PREVIOUS DATE
Insert revised pages into basic publication.
Destroy superseded pages.

ISSUED ON AUTHORITY OF THE CHIEF OF THE AIR STAFF

5 NOV 54
Revised 21 Apr 64

LIST OF RCAF REVISIONS

DATE	PAGE NO	DATE	PAGE NO
3 Dec 63	326		
21 Apr 64	326		
21 Apr 64	381		
21 Apr 64	382		
21 Apr 64	382A		
21 Apr 64	382B		



100

3

00

TABLE OF CONTENTS

RESCINDED

Section

I PARTS CATALOG INTRODUCTION	1
II GROUP ASSEMBLY PARTS LIST	2

Indicator	Page	Indicator	Page	Indicator	Page
EA-100-10	7	EA-102-11	30	EA-124-31	77
EA-100-11	7	EA-102-13	34	EA-124-32	87
EA-100-12	7	EA-102-16	35	EA-124-4	74
EA-100-13	7	EA-102-19	31	EA-124-51	77
EA-100-16	7	EA-102-27	31	EA-124-53	77
EA-100-17	7	EA-102-29	31	EA-124-8	77
EA-100-2AB	2	EA-102-8	24	EA-124AN-39	86
EA-100-5	2	EA-102AN-16	36	EA-124AN-52	86
EA-100-6	2	EA-102AN-52	36	EA-124AN-65	86
EA-100-7	5	EA-104-16	42	EA-124AN-82	86
EA-100-8	5	EA-104-5	38	EA-124AN-89	86
EA-100-9	5	EA-104-8	38	EA-124AN-94	86
EA-100AN-48	8	EA-104-9	38	EA-124AN-102	86
EA-101-1	12	EA-104A-3	45	EA-124AN-104	86
EA-101-18	12	EA-104A-6	45	EA-125AN-2	91
EA-101-19	12	EA-108-11C	56	EA-134-1	93
EA-101-2	12	EA-108-13	49	EA-140-4	97
EA-101-24	12	EA-108-16	56	EA-140-5	99
EA-101-25	12	EA-108-19	56	EA-140-6	97
EA-101-27	9	EA-108-26	56	EA-143A-1M	102
EA-101-29	9	EA-108-5	49	EA-143A-4	108
EA-101-3	12	EA-108-6	52	EA-143AN-8	103
EA-101-311188-IL	12	EA-108-6F	52	EA-148-1	112
EA-101-311188-1R	12	EA-108-839F	60	EA-148-2	112
EA-101-311188-2	12	EA-108-839R	60	EA-148-5	112
EA-101-4	12	EA-108W-17	63	EA-148AN-19	113
EA-101-8	12	EA-108W-31	63	EA-148AN-23-24	113
EA-101-9	12	EA-109-1	68	EA-148W-14	119
EA-101AN-18	13	EA-109-12	68	EA-148W-3	117
EA-101AN-19A	13	EA-109-3	68	EA-148W-7	119
EA-101AN-27A	13	EA-109-4	68	EA-150-12	124
EA-101AN-44	13	EA-111-1	71	EA-150-16	124
EA-101AN-67	13	EA-124-10	74	EA-150-24	125
EA-101AN-78	13	EA-124-11	74	EA-150AN-12A	126
EA-101AT-9	12	EA-124-12	80	EA-150AN-17	126
EA-101A-14	18	EA-124-13	80	EA-150AN-18	126
EA-101A-15	18	EA-124-14	80	EA-150AN-24	126
EA-101A-16	18	EA-124-15	74	EA-150AN-7	126
EA-101A-5	18	EA-124-24	83	EA-150AN-8	126
EA-101A-6	18	EA-124-25	83	EA-150AN-9	126
EA-101A-7	18	EA-124-26	83	EA-155-13	125
EA-102-1	21	EA-124-29	74	EA-155AN-14	126
EA-102-1F	21	EA-134-30	74	EA-303AN-1	129
EA-102-10	27			EA-303AN-3	129

Tank Unit	Page	Tank Unit	Page	Tank Unit	Page
EA-15-10	134	EA-15-4310272-1	149	EA-15A-82-00128-3	167
EA-15-11	134	EA-15-5105650	134	EA-15AW-F-263661	172
EA-15-12	134	EA-15-5132925	162	EA-15AW-F-263662	172
EA-15-120088	149	EA-15-88-64820A	145	EA-15AW-VS-06-45-1005	181
EA-15-120089	162	EA-15-88-64821A	145	EA-15AW-162B5748	186
EA-15-14	142	EA-15-C-169539	134	EA-15AW-213	175
EA-15-15	142	EA-15-C-169581	134	EA-15AW-27-685-001-1	167
EA-15-16	142	EA-15-VS-36862	162	EA-15AW-4062359	183
EA-15-228150	134	EA-15A-F-263661	172	EA-15AW-4062365	183
EA-15-3-14867-1	134	EA-15A-F-263662	172	EA-15AW-4163064	172
EA-15-3-14867-2	134	EA-15A-14-685-002L	167	EA-15AW-444	175
EA-15-341	159	EA-15A-14-685-002R	167	EA-15AW-53067	172
EA-15-4113228-2	152	EA-15A-162B5835	167	EA-15AW-62-00168-2	167
EA-15-4113228-3	152	EA-15A-215	176	EA-15AW-62-00168-3	167
EA-15-4113228-4	152	EA-15A-228151-2	172	EA-15AW-62A-00346-2	167
EA-15-4113228-5	152	EA-15A-228151-3	172	EA-15AW-62A-00346-3	167
EA-15-4136535-2	152	EA-15A-23-685-001-1	167	EA-15AWC-162B5784A	196
EA-15-4136535-3	152	EA-15A-27-421-1039	167	EA-15B-4238874	201
EA-15-4136535-4	152	EA-15A-28-0-2003	181	EA-15B-82-00353	200
EA-15-4136535-5	152	EA-15A-342	177	EA-15B-82-00353-1	200
EA-15-4174039	165	EA-15A-494	177	EA-15BW-208132-1	200
EA-15-4310270	149	EA-15A-63-78071	167	EA-15BW-208132-2	200
EA-15-4310270-1	149	EA-15A-63-78071-1	167	L: 5P-5047	149
EA-15-4310272	162	EA-15A-82-00128-2	167	EA-15P-5048	149

<i>Tank Unit</i>	<i>Page</i>	<i>Tank Unit</i>	<i>Page</i>	<i>Tank Unit</i>	<i>Page</i>
EA-15W-214189-3	134	EA-203A-120558	294	EA-65-2140327	236
EA-15W-24-685-002-2	149	EA-203A-120585	294	EA-65-4222324	239
EA-15W-249	153	EA-206A-4178896-2	302	EA-65A-15504	246
EA-15W-250	153	EA-207A-4178896-4	302	EA-65A-15505	246
EA-15W-3-14659	134	EA-208A-4178896-6	302	EA-65A-15506	246
EA-15W-3-14659-1	134	EA-208A-4178896-7	302	EA-65A-15507	246
EA-15W-3-14659-2	134	EA-216-43,0269-2	304	EA-65A-28-0-3039-31	246
EA-15W-4139873	155	EA-217-4310269-4	304	EA-65A-628033	241
EA-15W-4144825	154	EA-220VS2-304612L	313	EA-65AW-8940758	246
EA-15W-4144825-1	154	EA-220VS2-304612R	313	EA-65AWC-15504	250
EA-15W-4147504-1	154	EA-221VS2-304721L	313	EA-65AWC-15505	250
EA-15W-4162778	149	EA-221VS-304721R	313	EA-65AWC-170A-K-5409	253
EA-15WC-120090	189	EA-222VS2-304821L	313	EA-65B-1-85-088	236
EA-15WC-120091	189	EA-222VS2-304821R	313	EA-65B-15508	236
EA-15WC-216	193	EA-224-2	313	EA-65B-15509	236
EA-15X-1	316	EA-224-3	313	EA-65W-AT-9	236
EA-15X-2	316	EA-225W-1	313	EA-65W-203	239
EA-15X-4	316	EA-225W-2	313	EA-6612-141	209
EA-1611-189630-2	207	EA-226-1L	307	EA-67VS-13350AB	217
EA-1611-189726-2	207	EA-226-1R	307	EA-67VVS-43103	219
EA-1611A-29-0-1004	215	EA-227-2L	307	EA-84-39-68106	256
EA-1612-189630-1	209	EA-227-2R	307	EA-84A-47979-1	257
EA-1612-189726-1	209	EA-228A-15-16635-1	311	EA-84A-47979-2	257
EA-1612A-18R9715	213	EA-228A-15-16635-2	311	EA-84AW-29-685-001-1	257
EA-17-217869	217	EA-228A-15-16635-3	311	EA-84X-1L	316
EA-17-F170829	224	EA-228A-15-16635-5	311	EA-84X-1R	316
EA-17BW-208133	224	EA-228A-15-16635-1	313	EA-85-204	265
EA-17W-214190	217	EA-228A-15-16635-2	313	EA-85-766121-L	261
EA-17W-R-102970F	224	EA-228A-15-16635-3	313	EA-85-766121R	261
EA-177-114477	280	EA-228A-15-16635-5	313	EA-85-766125-L	261
EA-177-114478	280	EA-228X-15-16635-4L	316	EA-85-766125-R	261
EA-178-110019	280	EA-228X-15-16635-4R	316	EA-85A-306	265
EA-178-110020	280	EA-290-170-A-K-5501	291	EA-85A-32R-4282	267
EA-178-110021	280	EA-515-217	318	EA-85A-430	265
EA-178-110022	280	EA-515WC-216A	318	EA-85A-476	265
EA-18W-4099790	233	EA-524A-309	318	EA-85AW-120713	267
EA-190A-33G2045	295	EA-529BC-310	318	EA-85AW-120782	267
EA-190A-33G2046	295	EA-533-311	318	EA-85BW-587	265
EA-190W-170A-K-5416	295	EA-565-201A	318	EA-85BWC-326	265
EA-190W-170A-K-5417	295	EA-565A-263	318	EA-85C-203	265
EA-190W-170A-K-5418	295	EA-565A-264	318	EA-85P-47	265
EA-190W-170A-K-5419	295	EA-565A-265	318	EA-85W-323	265
EA-190W-170A-K-5420	295	EA-565A-269	318	EA-85W-943	261
EA-190W-170A-K-5421	295	EA-565AW-259	318	EA-88A-4171346-2	272
EA-190W-354	296	EA-565C-245	318	EA-88A-4171346-6	272
EA-191A-743	293	EA-590W-485	322	EA-88A-4175744-4	272
EA-191A-F263661	293	EA-591-483	322	EA-88P-500	273
EA-191W-1-162B5785C	287	EA-591W-484	322	EA-89A-4171346-4	272
EA-191W-1-162B5785F	287	EA-65-141	236	EA-89A-4171346-8	272
EA-191W-162B5785	285	EA-65-144	236	EA-89A-4175744-2	272
EA-191W-162FK5727A	287	EA-65-2140325	236	EA-89P-502	273
EA-202A-120557	294			EA-92W-VS-33330R	277
EA-202A-121404	294				

<i>Dial Change Indicator</i>	<i>Page</i>	<i>Dial Change Indicator</i>	<i>Page</i>	<i>Dial Change Indicator</i>	<i>Page</i>
EA-41A-1	333	EA-47W-1	339	EA-48-5-24	324
EA-41A-2	333	EA-47W-1-24	339	EA-48AW-1	342
EA-41A-4	331	EA-48-12	324	EA-48AW-2	342
EA-41A-5	337	EA-48-12-24	324	EA-48AW-6	342
EA-41A-6	335	EA-48-13	324	EA-49-4	324
EA-46W-1	339	EA-48-15	324	EA-49AW-2	342
EA-47-1-24	324	EA-48-16	324	EA-49AW-3	342
EA-47-2C	324	EA-48-17T	324	EA-49AW-7	342
EA-47AW-4	342	EA-48-5	324	EA-49W-1	339
EA-47AW-5	342			EA-55A-438	352

<i>Ratiometer</i>	<i>Page</i>	<i>Indicator (Weston)</i>	<i>Page</i>
EA-41	347	EA-31-1236-1	354
EA-46	347	EA-343-1	362
EA-47	347	EA-35-1139-1	357
EA-48	347	EA-36-1139	369
EA-49	347	EA-36-141	360
		EA-36-438	360

<i>Section</i>	<i>Page</i>
AC-134A5-34	365

<i>Section</i>	<i>Page</i>
III NUMERICAL PARTS LIST	367

RESCINDED

TABLE 1. DESIGNATIONS
THIS TABLE GIVES THE COMPARABLE DESIGNATION OF THE UNITS EMBODIED IN THE AIRPLANE.

<i>Army</i>	<i>Navy</i>	<i>British</i>	<i>Indicator</i>	<i>Navy Stock Number</i>	<i>Tank Unit</i>	<i>Navy Stock Number</i>
AT-11	SNB-1		EA-35-1139-1 EA-102-10 EA-343-1		EA-1611-189630-2 EA-1611-189726-2 EA-1612-189630-1 EA-1612-189726-1 EA-1612A-18R-9715	
P-39D		Aircobra I or Caribou	EF-108-5 EA-108-11 EA-108-11C		EA-15A-14-685-002L EA-15A-14-685-002R	
P-39D-1		Aircobra IA	EA-108-16		EA-15A-14-685-002L EA-15A-14-685-002R	
P-39K P-39L P-39M			EA-108-19 or EA-108-26		EA-15A-14-685-002L EA-15A-14-685-002R	
P-39E			EA-108-13		EA-15A-23-685-001-1 (2)	
P-39K P-39L P-39M			EA-108-19		EA-15AW-14-685-002L EA-15AW-14-685-002R	
P-59A			EA-108W-31		EA-15AW-27-685-001-1 (2)	
P-59A-1			EA-108W-17		EA-15AW-27-685-001-1 (2)	
XP-59B			EA-100-7		EA-84AW-29-685-001-1	
XP-63			EA-148W-3		EA-15W-24-685-002-1 EA-15W-24-685-002-2	
B-17F		Fortress II	EA-47-2C		EA-15-10 (2) EA-15-11 (2) EA-15-12 (2) EA-15W-3-14659 (2) EA-15W-3-14659-1 (2) EA-15W-3-14659-2 (2)	
B-29			EA-48-16 EA-48-17T		EA-15-3-14867-1 (2) EA-15-3-14867-2 (2) EA-228A-15-16635-1 (2) EA-228A-15-16635-2 (2) EA-228A-15-16635-3 (2) EA-228X-15-16635-4L EA-228X-15-16635-4R For ships 1-164 inc.	

Army	Navy	British	Indicator	Navy Stock Number	Tank Unit	Navy Stock Number
B-29			EA-48-17T		EA-228A-15-16635-1 (2) EA-228A-15-16635-2 (2) EA-228A-15-16635-3 (2) EA-228A-15-16635-5 (2) For ships 165 & up.	
C-93	RB-1		EA-140-6		EA-65B-1-85-087 (2) EA-65B-1-85-088 (2)	
AT-17	JRC-1	Crane I	EA-104-8		EA-15AW-53067 (2)	
AT-17	JRC-1	Crane I	EA-104-5		EA-15AW-53067 (2)	
C-87C			EA-150-16		EA-65-144 (2)	
	PB2Y-2		EA-109-4		EA-15A-28-0-2003 (4)	
	PB2Y-2		EA-36-1139		EA-1611A-29-0-1004 (2)	
	PBY-2		EA-31-1236-1 With Voltage Compensator EA-40B-2		EA-1611A-28-0-2003 (2)	
	PBY-5		EA-31-1236-1 With Voltage Compensator EA-40B-2		EA-1611A-28-0-2003 (2)	
B-24D	PB4Y-1	Liberator BIII and GRV	EA-104-16		EA-191A-743 (2)	
B-24D			EA-124-15		EA-85A-32R4282 (2)	
B-24H						
B-24K						
AT-9			EA-101-AT-9		EA-65W-AT-9	
C-76			EA-124-4		EA-15A-27-421-1039 (2)	
XP-40K2			EA-100-9		EA-67W-SK8230	
C-46			EA-124-24 or EA-124AN-24		EA-15-14 (2) or EA-15-312 (2)	
			EA-124-25 or EA-124AN-25		EA-15-15 (2)	
			EA-124-26 or EA-124AN-26		EA-15-16 (2)	
A-20A	BD-1		EA-48AW-1 EA-48AW-2 (Superseded by EA-48AW-6)		EA-15AW-4062359 (2) EA-15AW-4062365 (2)	
A-20A	BD-1		EA-104A-6		EA-15W-4144825 EA-15W-4144825-1	

D

B

D

RESCINDED

Army	Navy	British	Indicator	Navy Stock Number	Tank Unit	Navy Stock Number
A-20A	BD-1		EA-143A-4		EA-15W-4144825 EA-15W-4144825-1	
A-20B	BD-2		EA-46W-1		EA-18W-4099790 EA-18W-4099790-1 EA-15W-4139873	
A-20B	BD-2		EA-100-5 EA-100-6		EA-65-2140327 EA-65-2140325	
A-20C	BD-1	Boston III Boston IIIA	EA-47AW-4 EA-47W-4		EA-15AW-4062359 (2) EA-15AW-4062365 (2) EA-15W-4147504-1	
A-20C	BD-1	Boston III Boston IIIA	EA-47AW-5		EA-15AW-4062359 (2) EA-15AW-4062365 (2) EA-15W-4147504-1 or EA-15W-4162778 EA-15AW-4163064	
A-20C	BD-1	Boston III Boston IIIA	EA-47W-6		EA-15AW-4062359 (2) EA-15AW-4062365 (2) EA-15W-4147504-1 EA-15AW-4163064	
A-20G			EA-47W-7		EA-15AW-4062359 (2) EA-15AW-4062365 (2) EA-15W-4147504-1 EA-15W-4162778	
A-20H			EA-47W-8		EA-15AW-4062359 (2) EA-15AW-4062365 (2) EA-15W-4147504-1 EA-15W-4162778	
C-47	R4D-1	Dakota I	EA-48-5 EA-48-5-24		EA-15-4113228-2 EA-15-4113228-3 EA-15-4113228-4 EA-15-4113228-5	
C-53	R4D-3	Dakota II	EA-48-12 EA-48-12-24 EA-48-13 EA-48-15		EA-15-4136535-2 EA-15-4136535-3 EA-15-4136535-4 EA-15-4136535-5	
C-54			EA-101-24 (2) EA-101-25 (2)		EA-88A-4175744-4 (2) EA-89A-4171346-8 (2) EA-88A-4171346-2 (2) EA-89A-4175744-2 (2)	
C-54A	R5D-1		EA-102-13 or EA-102-1 or EA-102-1F EA-108-6 or EA-108-6F		EA-15-5132925	
					EA-15-5105650	

Army	Navy	British	Indicator	Navy Stock Number	Tank Unit	Navy Stock Number
C-54A	R5D-1		EA-101-18(2) or EA-101AN-18(2) EA-101-19A(2)		EA-89A-4171346-8(2) EA-88A-4171346-6(2) EA-89A-4171346-4(2) EA-88A-4171346-2(2) EA-89A-4171346-4(2) EA-88A-4171346-2(2) EA-208A-4178896-6 EA-208A-4178896-7 EA-207A-4178896-4(2) EA-206A-4178896-2(2) EA-88A-4171346-6(2) EA-89A-4171346-8(2)	
C54D			EA-150-12 EA-150-24		EA-88P-500(2) EA-89P-502(2)	
C-54D & up			EA-101-27A(2) EA-101AN-27A(2) EA-101-19A(2) EA-101AN-19A(2) EA-150-12A EA-150AN-12A EA-150-24 EA-150AN-24		EA-206-A-4178896-2(2) EA-207A-4178896-4(2) EA-208A-4178896-6(2) EA-208A-4178896-7(2) EA-88A-4171346-2(2) EA-89A-4171346-4(2) EA-88A-4171346-6(2) EA-89A-4171346-8(2) EA-88P-500(2) EA-89P-502(2)	
C-54			EA-101AN-27A(2) EA-101-27A(2) EA-101AN-19A(2) EA-101-19A(2) EA-150AN-12A EA-150-12A		EA-206A-4178896-2(2) EA-207A-4178896-4(2) EA-208A-4178896-6 EA-208A-4178896-7 EA-88A-4171346-2(2) EA-89A-4171346-4(2) EA-88A-4171346-6(2) EA-89A-4171346-8(2)	
C-54			EA-102-28 EA-102-40 EA-102-52 EA-102AN-40 EA-102AN-52		EA-15A-215	
C-54			EA-303AN-1 EA-303AN-3		EA-524A-309 EA-529BC-310 EA-533-311	
P-70		Boston I or II or Havoc I or II	EA-49AW-7		EA-15AW-4062359(2) EA-15AW-4062365(2) EA-15W-4147504-2	

RESCINDED

Army	Navy	British	Indicator	Navy Stock Number	Tank Unit	Navy Stock Number
XA-42			EA-124-12	EA-15-4310272		
			EA-124-13	EA-15-4310272-1		
			EA-124-14	EA-216-4310269-2 (2)		
				EA-217-4310269-4 (2)		
				EA-15-4310270		
				EA-15-4310270-1		
XAT-13			EA-109-1	EA-85-766121L		
XAT-14			(Superseded by	EA-85-766121R		
AT-21			EA-109-12)	EA-85-766125L		
				EA-85-766125R		
XA-39			EA-101-29	EA-84-39-68106		
XP-75			EA-100-8	EA-65AW-8940758		
	TBF-1		EA-101-1	EA-65-141 (3)		
	TBM-1		(Superseded by	EA-6612-141		
			EA-140-4)	With Selector Switch		
				EA-29-141		
	TBF-1		EA-140-4	EA-65-141 (3)		
				EA-6612-141		
B-37		Ventura GR III	EA-101-2	EA-178-110020		
			EA-101-3	EA-178-110022		
			EA-101-4	EA-178-110019		
				EA-178-110021		
				EA-65B-15509		
				EA-65B-15508		
				EA-177-114477		
			EA-104-9	EA-177-114478		
P-38			EA-108-839F	EA-15A-228151-2		
			EA-108-839R	EA-15A-228151-3		
				EA-15-228150 (2)		
B-26			EA-47W-1	EA-15AW-F-263661 (2)		
				EA-15AW-F-263662 (2)		
				EA-17W-R-102970F		
B-26			EA-49W-1	EA-15AW-F-263661 (2)		
				EA-15AW-F-263662 (2)		
				EA-17W-R-102970F (2)		
B-26A			EA-47W-1-24	EA-15AW-F-263661 (2)		
B-26B				EA-15AW-F-263662 (2)		
B-26B1				EA-17W-R-102970F (2)		
B-26C			EA-47-1-24	EA-15A-F-263661 (2) or		
				EA-191A-F-263661 (2)		
				EA-15A-F-263662 (2)		
				EA-17-R-102970 (2)		

Army	Navy	British	Indicator	Navy Stock Number	Tank Unit	Navy Stock Number
B-26F B-26G			EA-47-10		EA-15A-F-263662 (2) EA-17-R-102970 (2) EA-191A-F-263661 (2)	
	PBM-1 (Fuel system)		EA-55A-438		EA-15-C-169539 (2) EA-17-F-170829 (4) EA-15-C-169581 (2)	
	PBM-1 (Oil system)		EA-36-438			
	PBM-3	Mariner	EA-41A-1		EA-15AWC-162B5784A (2) EA-15AW-162B5748 (2) EA-191W-162B5785 (3)	
	PBM-3	Mariner	EA-41A-2		EA-15AWC-162B5784A (2) EA-15AW-162B5748 (2) EA-191W-1-162B5785-C (3)	
	PBM-3	Mariner	EA-36-141		EA-15A-162B5835 (2)	
	PBN-1 (Fuel)		EA-101-311188-1L EA-101-311188-1R EA-101-311188-2		EA-84A-47979-1 EA-84A-47979-2 EA-65A-28-0-3039-31 (2)	
B-25			EA-49AW-2		EA-15AW-62-00168-2 (2) EA-15AW-62-00168-3 (2)	
B-25A B-25B		Mitchell I	EA-49AW-3		EA-15AW-62A-00346-2 (2) EA-15AW-62A-00346-3 (2)	
B-25C B-25D	PBJ-1	Mitchell II	EA-49-4		EA-15A-82-00128-2 (2) EA-15A-82-00128-3 (2)	
B-25C B-25D	PBJ-1	Mitchell II	EA-124-10 EA-124-11		EA-15A-8-00128-2 (2) EA-15A-82-00128-3 (2)	
B-25C B-25D	PBJ-1	Mitchell II	EA-148-1		EA-15B-82-00353 EA-15B-82-00353-1	
F-61			EA-48W-18		EA-15W-214189-3 (2) EA-17W-213190 (2)	
F-61A			EA-134-1		EA-15-217870-3 (2) EA-17-217869 (2)	
YP-61			EA-48W-14		EA-15BW-208132-1 EA-15BW-208132-2 EA-17BW-208133 (2)	
C-64A	R5C-1		EA-148-2		EA-15-P-5047 EA-15-P-5048	
P-47D			EA-124-29 or EA-124-40		EA-85-P47 EA-85W-943	

RESCINDED

Army	Navy	British	Indicator	Navy Stock Number	Tank Unit	Navy Stock Number
P-72			EA-124-30		EA-85W-XP72(2)	
B-34	PV-1 PV-3	Ventura BII BIIA, BIV	EA-101A-5 EA-101A-6 EA-101A-7		EA-65A-15504 EA-65A-15505 EA-65A-15506 EA-65A-15507 EA-65B-15508 EA-65B-15509	
		Ventura	EA-101A-14 EA-101A-15 EA-101A-16		EA-65A-15504 EA-65A-15505 EA-65A-15506 EA-65A-15507 EA-65B-15508 EA-65B-15509	
	PV-1		EA-101-8 EA-101-9 EA-101-10 EA-104-9		EA-65A-15504 EA-65A-15505 EA-65A-15506 EA-65A-15507 EA-65B-15508 EA-65B-15509 EA-177-114477 EA-177-114478	
	PV-1		EA-101-8 EA-101-9 EA-101-10 EA-104-9		EA-65AWC-15504 EA-65AWC-15505 EA-65A-15506 EA-65A-15507 EA-65B-15508 EA-65B-15509 EA-177-114477 EA-177-114478	
	PV-2		EA-109-3		EA-15WC-120090 EA-15-120088 EA-15-120089 EA-15WC-120091 EA-202A-120557 EA-202A-121404 EA-203A-120558 EA-203A-129585 EA-15-120088 EA-15-120089 EA-15WC-120090 EA-15WC-120091 EA-226-1R EA-226-1L EA-227-2L EA-227-2R EA-85AW-120782 EA-85AW-129713	
	PV-2		EA-124-8			
	PV-2		EA-109-3			
	PV-2		EA-124-32			
	PV-2		EA-148-5			

Army	Navy	British	Indicator	Navy Stock Number	Tank Unit	Navy Stock Number
YR4A, YR4B R-4B		Helicopter	EA-102-8		EA-15-VS-36862	
XR-6, R-6	F4U-1	Corsair I	EA-102-11		EA-15AW-VS-06-45-1005	
	TBY-2		EA-100-2AB		EA-67-VS-13350AB *EA-92W-VS-33330R	
A-31C A-35A		Vengeance III	EA-124-9 With Stroke Adjustment Panel AC-134A5-4		EA-220-VS2-304612L EA-220-VS2-304612R EA-221A-VS2-304007L EA-221A-VS2-304007R EA-222A-VS2-304307 (2)	
BT-13			EA-111-1 or EA-111-12		EA-15-88-64820 or EA-15-88-64820A EA-15-88-64821 (2) or EA-15-88-64821A (2)	
P47N			EA-143A-1M EA-104A-3		EA-15A-63-78071 EA-15A-63-78071-1	
R6A		Helicopter	EA-125AN2		EA-15X-4 EA-84X-1L EA-84X-1R	
R6A		Helicopter	EA-102-19		EA-15AW-444	
XP-80			EA-102-27		EA-15AW-213	
			EA-100-17		EA-65W-203 or EA-65W-207	
P-63			EA-148W-7, EA-148W-14 or EA-148W-18 with AC134A5-3 stroke adj. panel (2)		EA-565W-269 Replaces EA-65W-207	
TBY-2			EA-124-53		EA-224-2 EA-224-3	
			AC134A5-4 stroke adj. panel		EA-225W-1 EA-225W-2	
B-32	FR-1		EA-155-13 (2) replaces EA-155-9		EA-220VS2-304612L EA-220VS2-304612R EA-221VS2-304721L EA-221VS2-304721R EA-222VS2-304821L EA-222VS2-304821R	
			EA-124-51		EA-190A33G2045 (2) EA-190A33G2046 (2)	
					EA-85C203 EA-85-204	

* This Tank Unit is used only as a Warning Unit for the Water Injection System.

RESCINDED

Army	Navy	British	Indicator	Navy Stock Number	Tank Unit	Navy Stock Number
	F4U-4 F4U-5 PG-2		EA-100-16 or EA-100AN-48		EA-67W-VS-43103	R88-T-2677-600
	PBM-5 for ships 1126 and up		EA-41-A-4		EA-15AWC-162B5784A(2) EA-15AW-162B5748(2) EA-191W-1-162B5785F EA-191W-1-162B5785C EA-191W-162FK5727A	
	PBM-5		EA-41A-5		EA-15AW-162B5748(2) EA-15AWC-162B5784A(2) EA-191W-1-162B5785F EA-191W-162FK5727A EA-190W-354	
	PBM-5A		EA-101AN-67 41A-6		EA-15AWC-162B5784A(2) EA-15AW-162B5748(2) EA-591W-483 EA-591W-484 EA-590W-485	
	JRM-1		101AN-78		EA-65AWC-170A-K-5409(2) EA-190W-170A-K-5416(2) EA-190W-170A-K-5417(2) EA-190W-170A-K-5418(2) EA-190W-170A-K-5419(2) EA-190W-170A-K-5420(2) EA-190W-170A-K-5421(2)	
	JRM-1		EA-140-5 EA-150AN-17 EA-150AN-18		EA-290-170A-K-5501(4)	
C74			EA-143AN-8		EA-15-4174039	
C74			EA-150AN-7 EA-150AN-8 EA-150AN-9		EA-565A-264(2) EA-565A-263(2) EA-565-A-265(2)	
YR-6A		Helicopter	EA-148AN-19		EA-15W-249 EA-15W-250	
Bell Mod. 47		Helicopter	EA-148AN-23 EA-148AN-23-24		EA-15-341 EA-15A-342 EA-15A-494	
B-24			EA-124-31		EA-15X-1 EA-15X-2	
XBT2D			EA-101AN-44 or EA-101AN-44A		EA-565-201A	

Army	Navy	British	Indicator	Navy Stock Number	Tank Unit	Navy Stock Number
	F6F C54		EA-102-29		EA-15WC-216 or EA-515WC-216A	
	B, D, E		EA-102-16 or EA-102AN-16		EA-15B-4238874	
	XP4M-1		EA-124AN-52		EA-515-217	
	XP4M-1		EA-155AN-14		EA-565AW-259	
F-84			EA-124AN-65		EA-565C-245	
			EA-124AN-89		EA-85W-323	
			EA-124AN-94		EA-85BW-C-326	
			EA-124AN-102		EA-85BW-587	
			EA-129AN-104			
C-82			EA-124AN-39		EA-85A-306(2)	
			EA-124AN-82		EA-85A-430(2)	
			EA-124AN-39		EA-85A-476(2)	

RESCINDED

SECTION I

PARTS CATALOG INTRODUCTION

1. GENERAL.

a. The parts catalog which follows covers Indicators, Dial Change Indicators and Tank Units as manufactured by the Liquidometer Corporation, Long Island City, New York.

b. The parts catalog is broken into three sections, namely: I, Parts Catalog Introduction; II, Group Assembly Parts List; III, Numerical Parts List.

2. PARTS LISTS.

a. The group assembly parts list, section II, gives the parts of the major assemblies broken down to its component parts and cross-referenced to exploded views by index numbers.

b. Each sub-assembly listed is followed by its component parts. The breakdown of each sub-assembly to its component parts and details are shown by indentation on columns 1 through 7. Recognition of major assemblies, sub-assemblies and their component parts may be made by reference to the indentation. Columns on the right-hand portion of the various lists are employed to designate model, and type numbers of equipment. The user of this manual will find this a ready reference in showing interchangeability of parts between models.

c. The numerical parts list, section III, is a numerical arrangement of all part numbers appearing in this parts catalog.

3. SYMBOLS.

Note

Since this parts catalog has been prepared at various times, at various sources, including Liquidometer, Weston, etc., a variation in use of symbols will be noted.

a. On pages 2 through 103 covering the Indicators, an asterisk (*) preceding Liquidometer part numbers has been employed to designate replacement parts supplied in "Pack Up Kits" (These kits contain parts sufficient for the maintenance of 100 Liquidometer Indicators.) A plus sign (+) preceding Weston part numbers has been employed to designate their replacement parts supplied in the kits.

b. Pages 104 through 251 cover Tank Units. The

dagger (†) indicates assemblies which are not to be disassembled, as damage to equipment will result.

c. In the Numerical Parts List an asterisk (*) preceding Weston part numbers indicates a non-procurable part. On the Liquidometer part numbers a double asterisk (**) is used to indicate non-procurability.

CAUTION

Non-procurable parts have been illustrated to show relationship to other parts. Those parts which are non-procurable are so indicated by an asterisk in the Numerical Parts List. Parts which have been riveted, welded into assembly, or otherwise lost their identity, are not to be removed except in cases of extreme emergency; for to do so will result in probable damage to equipment.

4. USAGE OF PARTS CATALOG.

This parts catalog is intended only for use of depot or field personnel in ordering units or spare parts. *It is not to be construed as authority for disassembly, repair or reassembly. These activities are restricted to experienced overhaul or repairing facilities. Disassembly by inexperienced personnel will result in loss of equipment.*

5. PART NUMBERING SYSTEM.

a. To assist the user of this Handbook in understanding the Liquidometer part numbering system the following explanation is offered:

(1) The first entry in the part numbering is a letter designation. In this case all parts begin with the letters "EA". This specifies the type of equipment, which is electrical aircraft.

(2) The second entry is a number and is the model. As an example: the EA-15 series are Tank Units and the EA-100's series are Indicators, while EA-40's series are Dial Change Indicators.

(3) The final entry following the hyphen is a number and indicates a modification of the model.

Note

The numbers not falling into the above classification are those indicating component parts of units such as EA-7928 and EA-1562.

SECTION II GROUP ASSEMBLY PARTS LIST

Fig. No.	Index No.	Part No.	Nomenclature	EA-100-2AB	EA-100-5	EA-100-6	Units Per Assy
			1 2 3 4 5 6 7				
		EA-100	Indicator	x	x	x	1
1	1	EA-10891	Bezel Assembly	x	x	x	1
1	1A	EA-10836	Bezel	x	x	x	1
1	1B	*EA10838	Glass	x	x	x	1
1	1C	EA-10819	Ring—Snap	x	x	x	1
1	2	AN501B0-3	Screw, fil hd 0 80 x 1/8 in.	x	x	x	8
1	3	*EA-10844	Gasket—Bezel	x	x	x	1
1	4	*EA-10890-5L	Pointer—Assembly	x	x	x	1
1	4A	3992-5	Blank—Pointer	x	x	x	1
1	4B	EA-10146-4	Weight—Pointer	x	x	x	1
1	5	AN501B0-2	Screw, fil hd 0 80 x 1/8 in.	x	x	x	1
1	6	EA-10005-2AB	Dial	x	x	x	3
1	6	EA-10005-5	Dial	x			1
1	6	EA-10005-6	Dial		x		1
1	7	EA-10001C-3	Plate Assembly Mounting			x	1
1	7	EA-10001C-4	Plate Assembly Mounting	x			1
1	7A	EA-10002C-1	Plate—Sub Assembly—Mounting	x	x	x	1
1	7A	EA-10002C-2	Plate—Sub Assembly—Mounting				1
1	7A1	EA-10830-9	Plate—Mounting	x	x	x	1
1	7A2	EA-10040	Nut—Stop	x	x	x	4
1	7A3	EA-10008	Adapter Assembly	x	x	x	1
1	7A3A	EA-10075-1	Adapter—Mechanism	x	x	x	1
1	7A3B	EA-10017	Post—Spacing	x	x	x	3
1	7A4	70400-2	Rivet	x	x	x	3

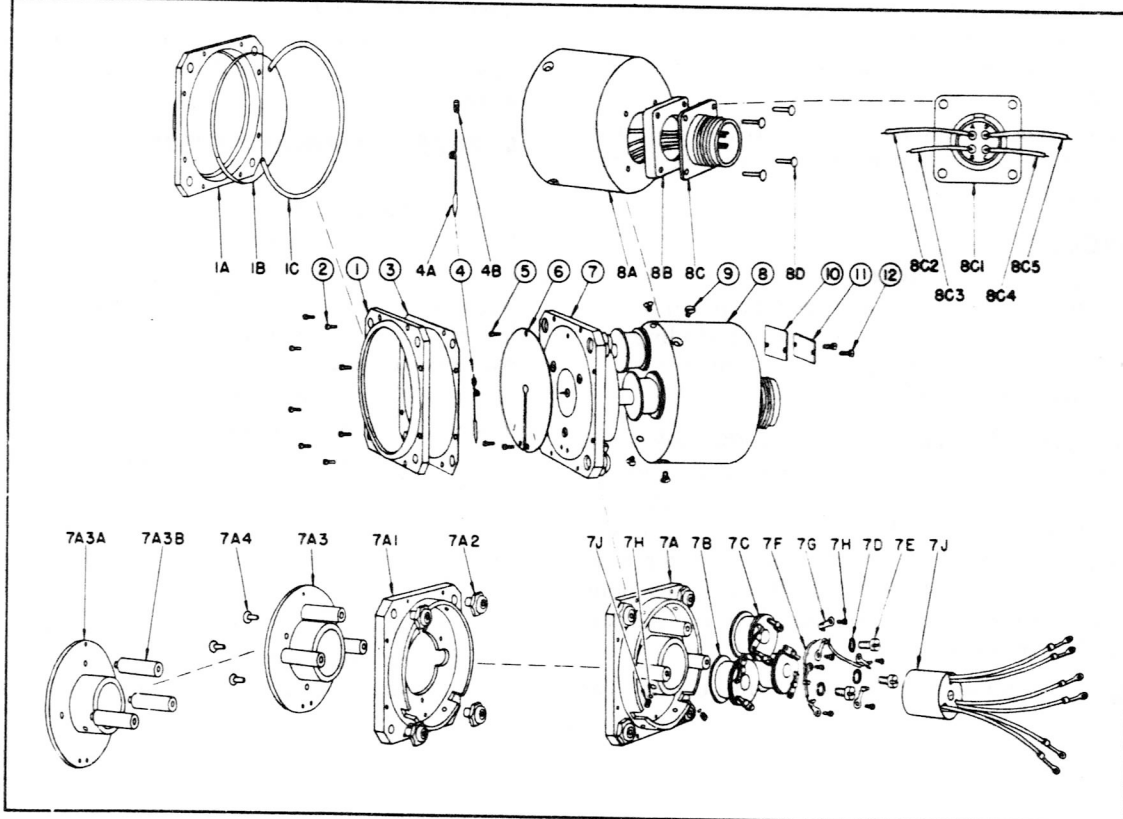


Figure 1—Exploded View of Main Assembly for
EA-100-2AB, -5 and -6 Indicators

Fig. No.	Index No.	Part No.	Nomenclature	EA-100-2AB EA-100-5 EA-100-6			Units Per Assy	
				1	2	3		
1	7B	EA-10080-11	Resistor Assembly		x	x	x	2
2	1	EA-10094-5	Spool Assembly		x	x	x	1
2	1A	EA-10096-5	Plate Assembly—Top		x	x	x	1
2	1A1	EA-10060	Head		x	x	x	1
2	1A2	EA-10063	Lug		x	x	x	2
2	1A3	EA-10267-1	Lug—Solder		x	x	x	2
2	1A4	EA-10064-1	Eyelet		x	x	x	2
2	1B	EA-10060	Head		x	x	x	1
2	1C	EA-10093	Hub Assembly		x	x	x	1
2	1C1	EA-10062	Hub		x	x	x	1
2	1C2	EA-10060	Head		x	x	x	1
2	1D	EA-7928	Tape—Insulating		x	x	x	1
2	2	EA-7912-32	Wire—Nichrome		x	x	x	1
2	3	EA-7928	Tape—Insulating		x	x	x	1
1	7C	*EA-10080-10	Resistor Assembly		x	x	x	1
2	4	EA-10094-2	Spool Assembly		x	x	x	1
2	4A	EA-10096-2	Plate Assembly—Top		x	x	x	1
2	4A1	EA-10060	Head		x	x	x	1
2	4A2	EA-10063	Lug		x	x	x	3
2	4A3	EA-10267-1	Lug—Solder		x	x	x	3
2	4A4	EA-10064-1	Eyelet		x	x	x	3
2	4B	EA-10060	Head		x	x	x	1
2	4C	EA-10093	Hub Assembly		x	x	x	1
2	4C1	EA-10062	Hub		x	x	x	1
2	4C2	EA-10060	Head		x	x	x	1
2	4D	EA-7928	Tape—Insulating		x	x	x	1
2	5	EA-7912-32	Wire—Nichrome		x	x	x	1
2	6	EA-7928	Tape—Insulating		x	x	x	1
1	7D	EA-1562	Washer—Lock, No. 6		x	x	x	3
1	7E	AN500B6-4	Screw, fl hd 6 32 x 1/4 in.		x	x	x	3

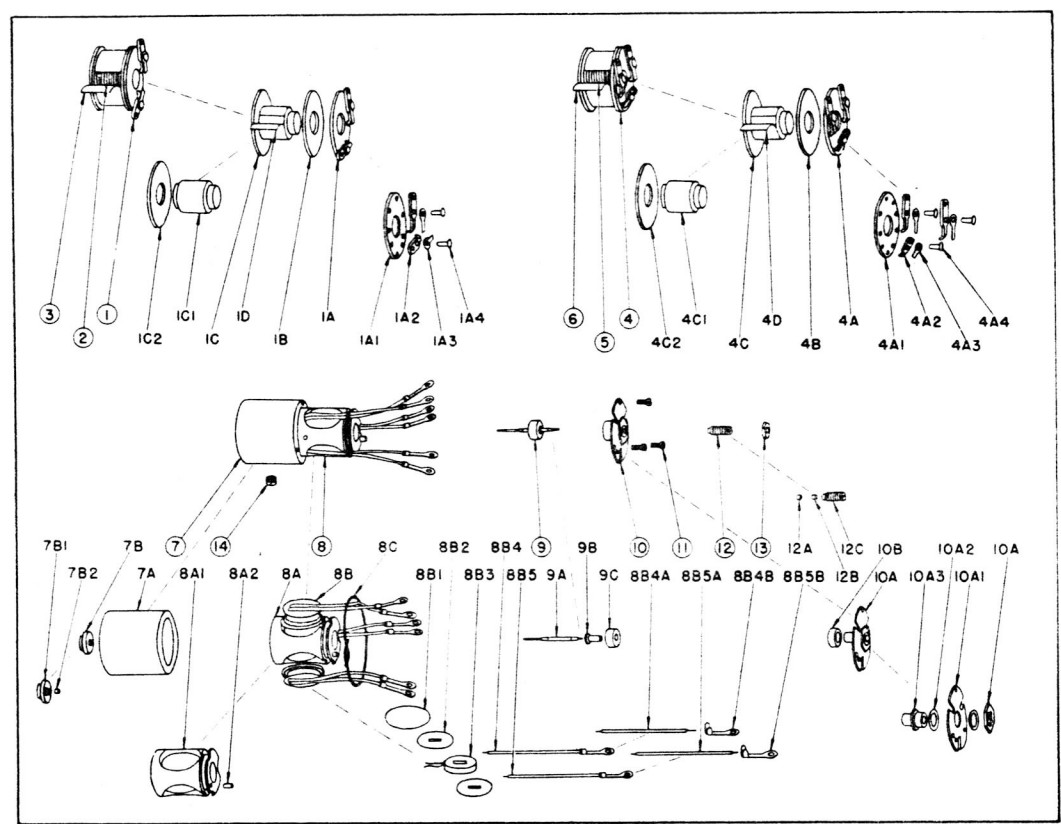


Figure 2—Exploded View of Mechanism and Resistors
for EA-100-2AB, -5 and -6 Indicators

Section II
Group Assembly Parts List

EO 20-85BA-4

Fig. No.	Index No.	Part No.	Nomenclature	EA-100-2AB EA-100-5 EA-100-6			Units Per Assy
				1	2	3	
1	7F	EA-7915-3	Wire—Red connection				
1	7G	EA-10267	Lug—Solder	x	x	x	2
1	7H	AN501B0-2	Screw, fil hd 0 80 x 1/8 in.	x	x	x	6
1	7J	*EA-10210C-3	Mechanism Assembly	x	x	x	7
2	7	EA-10292-11	Case Assembly—Mechanism	x	x	x	1
2	7A	EA-10235-9	Case—Mechanism	x	x	x	1
2	7B	EA-10269	Holder Assembly—Jewel	x	x	x	1
2	7B1	EA-10287-1	Holder—Jewel	x	x	x	1
2	7B2	EA-10271	Jewel—Sapphire	x	x	x	1
2	8	EA-10293-C	Form Assembly—Coil	x	x	x	1
2	8A	EA-10297	Form Assembly—Pin & Coil	x	x	x	1
2	8A1	EA-10226	Form—Coil	x	x	x	1
2	8A2	EA-10288	Pin—Coil form	x	x	x	1
2	8B	EA-10295	Winding Assembly—Coil	x	x	x	1
2	8B1	EA-10259	Insulator—Coil form	x	x	x	3
2	8B2	EA-10227	End—Coil	x	x	x	1
2	8B3	EA-7913-44	Wire—Copper	x	x	x	2
2	8B4	EA-7954-1	Lead Assembly	x	x	x	1
2	8B4A	EA-7948-7	Wire—White connection	x	x	x	1
2	8B4B	EA-10267	Lug—Solder	x	x	x	1
2	8B5	EA-7954-2	Lead Assembly	x	x	x	1
2	8B5A	EA-7947-7	Wire—Red connection	x	x	x	1
2	8B5B	EA-10267	Lug—Solder	x	x	x	1
2	8C	EA-7920	Cord—Waxed	x	x	x	1
2	9	EA-10209B-3	Rotor Assembly	x	x	x	1
2	9A	EA-10237	Shaft—Rotor	x	x	x	1
2	9B	EA-10249	Bushing—Rotor	x	x	x	1
2	9C	EA-10233A	Magnet—Rotor	x	x	x	1
2	10	EA-10220-1	Regulator Assembly	x	x	x	1
2	10A	EA-10257	Plate Assembly—Back	x	x	x	1
2	10A1	EA-10254-1	Plate—Bearing	x	x	x	1
2	10A2	EA-10363	Washer—Friction	x	x	x	1
2	10A3	EA-10366	Regulator	x	x	x	2
2	10A4	EA-10365	Adjustment—Return	x	x	x	1
2	10B	EA-10368	Magnet—Return	x	x	x	1
2	11	AN501B0-2	Screw, fil hd 0 80 x 1/8 in.	x	x	x	1
2	12	EA-10394	Bearing Assembly—Rear	x	x	x	3
2	12A	EA-10371	Bearing—Ring jewel	x	x	x	1
2	12B	EA-10370	Bearing—End jewel	x	x	x	1
2	12C	EA-10373	Holder—Jewel, rear	x	x	x	1
2	13	EA-10260	Nut—Lock	x	x	x	1
2	14	EA-10223	Screw—Scale adjusting	x	x	x	1
2	14	EA-10223A	Screw—Scale adjusting	x	x	x	AR
1	7K	*EA-10825	Insert	x	x	x	AR
1	7L	EA-10812	Screw—Set	x	x	x	2
1	8	EA-10810B-6	Case Assembly	x	x	x	2
1	8A	EA-10824-1	Case	x	x	x	1
1	8B	EA-10085	Spacer	x	x	x	1
1	8C	EA-7937-1	Receptacle Assembly	x	x	x	1
1	8C1	AN3102-14S-2P	Receptacle	x	x	x	1
1	8C2	EA-7916-5	Wire—Yellow connection	x	x	x	1
1	8C3	EA-7917-7	Wire—Green connection	x	x	x	1
1	8C4	EA-7914-6	Wire—Blue connection	x	x	x	1
1	8C5	EA-7915-5	Wire—Red connection	x	x	x	1
1	8D	70401-3	Rivet	x	x	x	1
1	9	70558	Screw, FH 3 56 x 5/32 in.	x	x	x	4
1	10	EA-10285	Plate—Voltage	x	x	x	4
1	11	NPA-100-2AB	Plate—Name	x			1
1	11	NPB-100-5	Plate—Name		x		1
1	11	NPB-100-6	Plate—Name			x	1
1	12	AN501B1-2	Screw, fil hd 1 72 x 1/8 in.	x	x	x	2

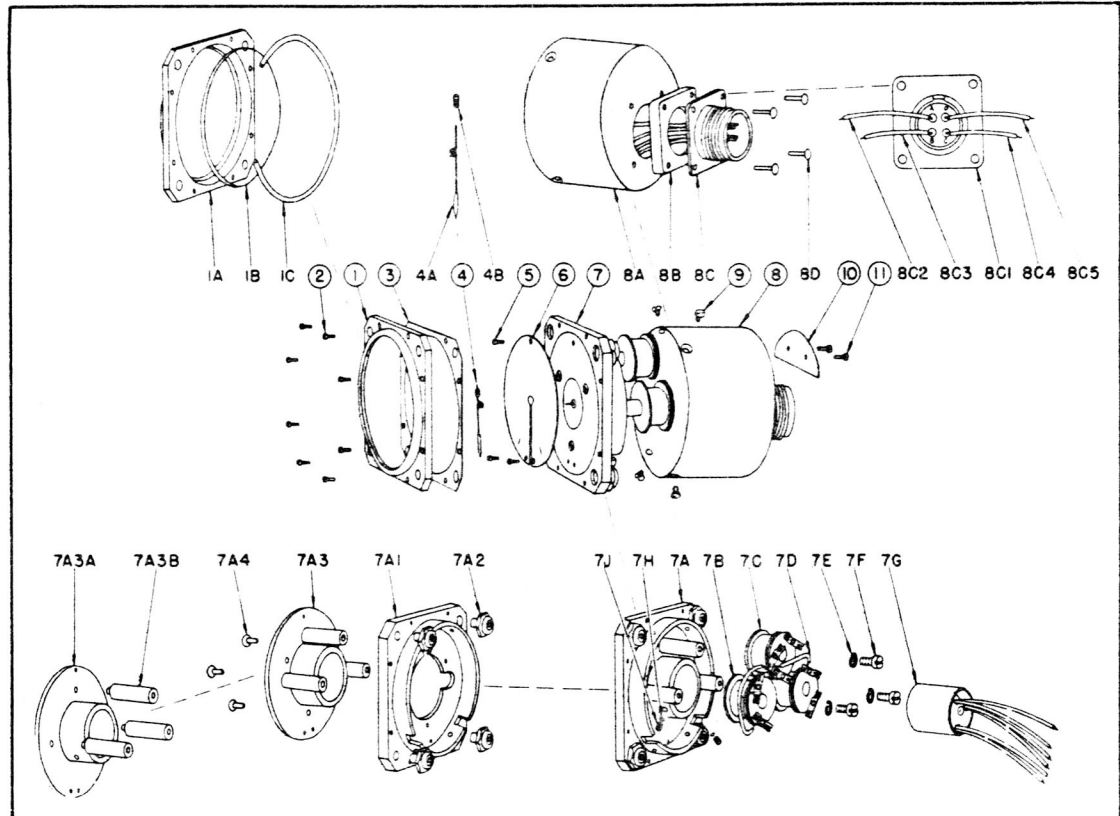


Figure 3—Exploded View of Main Assembly for
EA-100-7, -8 and -9 Indicators

Fig. No.	Index No.	Part No.	Nomenclature	EA-100-7	EA-100-8	EA-100-9	Units Per Assy
			1 2 3 4 5 6 7				
		EA-100	Indicator	x	x	x	1
3	1	EA-10891	Bezel Assembly	x	x	x	1
3	1A	EA-10836	Bezel	x	x	x	1
3	1B	*EA-10838	Glass	x	x	x	1
3	1C	EA-10819	Ring—Snap	x	x	x	1
3	2	AN501B0-3	Screw, fl hd 0 80 x 3/16 in.	x	x	x	8
3	3	*EA-10844	Gasket—Bezel	x	x	x	1
3	4	*EA-10890-5Y	Pointer Assembly	x	x	x	1
3	4A	3992-5	Blank—Pointer	x	x	x	1
3	4B	EA-10146-4	Weight—Pointer	x	x	x	1
3	5	AN501B0-2	Screw, fl hd 0 80 x 1/8 in.	x	x	x	3
3	6	EA-10005-7	Dial	x			1
3	6	EA-10005-8	Dial		x		1
3	6	EA-10005-9	Dial			x	1
3	7	EA-10001D-1	Plate Assembly—Mounting	x	x	x	1
3	7A	EA-10002C-1	Plate Sub Assembly—Mounting	x	x	x	1
3	7A1	EA-10830-9	Plate—Mounting	x	x	x	1
3	7A2	EA-10040	Nut—Stop	x	x	x	4
3	7A3	EA-10008	Adapter Assembly	x	x	x	1
3	7A3A	EA-10075-1	Adapter—Mechanism	x	x	x	1
3	7A3B	EA-10017	Post—Spacing	x	x	x	3
3	7A4	70400-2	Rivet	x	x	x	3
3	7B	*EA-10084-11	Resistor Assembly	x	x	x	2
4	1	EA-10018-5	Spool Assembly	x	x	x	1
4	1A	EA-10019-5	Plate Assembly—Top	x	x	x	1
4	1A1	EA-10060	Head	x	x	x	1
4	1A2	EA-10067	Lug—Terminal	x	x	x	2
4	1A3	EA-10064	Eyelet	x	x	x	2
4	1B	EA-10060	Head	x	x	x	1
4	1C	EA-10093	Hub Assembly	x	x	x	1
4	1C1	EA-10062	Hub	x	x	x	1
4	1C2	EA-10060	Head	x	x	x	1
4	1D	EA-7928	Tape—Insulating	x	x	x	1

Section II
Group Assembly Parts List

EO 20-85BA-4

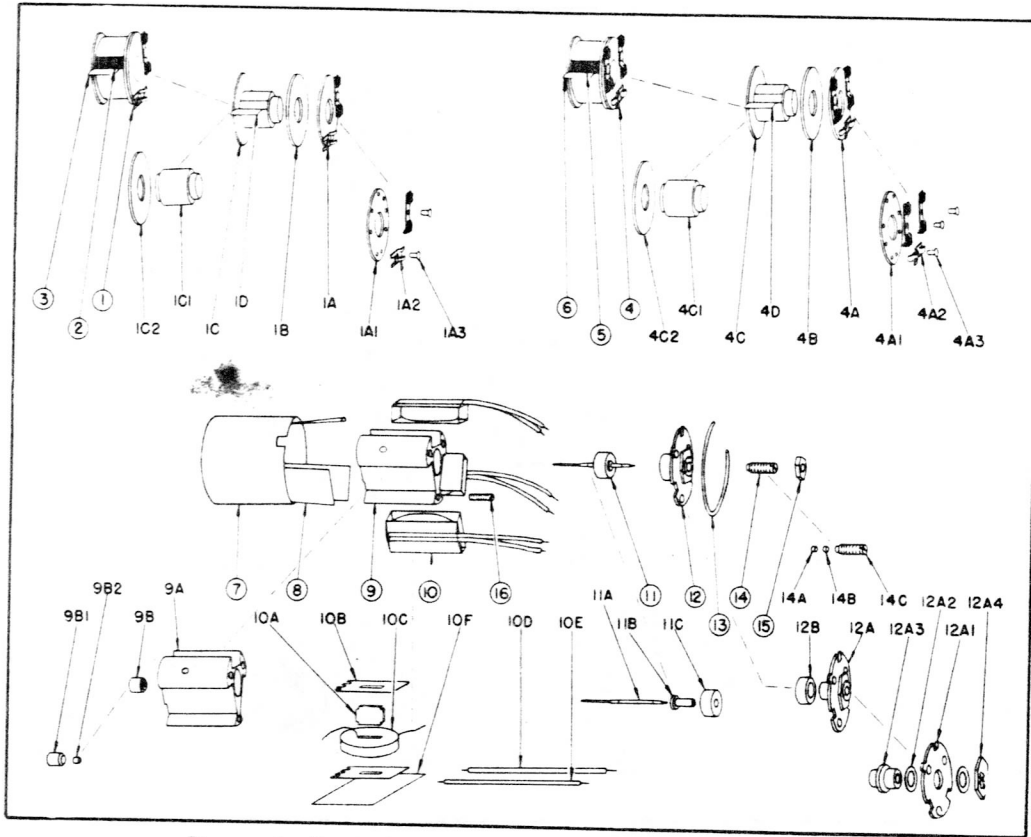


Figure 4—Exploded View of Mechanism and Resistors
for EA-100-7, -8 and -9 Indicators

Fig. No.	Index No.	Part No.	Nomenclature	EA-100-7 EA-100-8 EA-100-9			Units Per Assy
				1	2	3	
4	2	EA-7912-32	Wire—Nichrome				
4	3	EA-7928	Tape—Insulating	x	x	x	1
3	7C	*EA-10084-10	Resistor Assembly	x	x	x	1
4	4	EA-10018-2	Spool Assembly	x	x	x	1
4	4A	EA-10019-2	Plate Assembly—Top	x	x	x	1
4	4A1	EA-10060	Head	x	x	x	1
4	4A2	EA-10067	Lug—Terminal	x	x	x	1
4	4A3	EA-10064	Eyelet	x	x	x	3
4	4B	EA-10060	Head	x	x	x	3
4	4C	EA-10093	Hub Assembly		x	x	1
4	4C1	EA-10062	Hub		x	x	1
4	4C2	EA-10060	Head		x	x	1
4	4D	EA-7928	Tape—Insulating	x	x	x	1
4	5	EA-7912-32	Wire—Nichrome	x	x	x	1
4	6	EA-7928	Tape—Insulating	x	x	x	1
3	7D	EA-7915-3	Wire—Connection	x	x	x	1
3	7E	EA-1562	Washer—Lock, No. 6	x	x	x	2
3	7F	AN-500B6-4	Screw, fil hd 6 32 x 1/4 in.	x	x	x	3
3	7G	*EA-10210C-6	Mechanism Assembly	x	x	x	3
4	7	EA-10289	Shell	x	x	x	1
4	8	EA-10374	Cup—Insulating	x	x	x	1
4	9	EA-10390	Form Assembly—Coil	x	x	x	1
4	9A	EA-10360	Form—Coil	x	x	x	1
4	9B	EA-10395	Bearing Assembly	x	x	x	1
4	9B1	EA-10372	Holder—Jewel	x	x	x	1
4	9B2	EA-10371	Jewel—Sapphire	x	x	x	1
4	10	EA-10391	Winding Assembly—Coil	x	x	x	1
4	10A	EA-10361	Core—Coil	x	x	x	3
4	10B	EA-10362	End—Coil	x	x	x	1
4	10C	EA-7913-42	Wire—Copper	x	x	x	2
4	10D	EA-7947-11	Wire—Red connection	x	x	x	1
4	10E	EA-7948-11	Wire—White connection	x	x	x	1
4	10F	EA-10380	Insulation—Coil form	x	x	x	1

Fig. No.	Index No.	Part No.	Nomenclature							EA-100-10	EA-100-11	EA-100-12	EA-100-13	EA-100-16	EA-100-17	Units Per Assy	
			1	2	3	4	5	6	7								
		EA-100	Indicator														
3		EA-10005-10							x							1	
3	6	EA-10005-10								x						1	
3	6	EA-10005-11									x					1	
3	6	EA-10005-12										x				1	
3	6	EA-10005-13											x			1	
3	6	EA-10005-16												x		1	
3	6	EA-10005-17													x	1	
3	10	NPG100-10							x							1	
3	10	NPG100-11								x						1	
3	10	NPG100-12									x					1	
3	10	NPG100-13										x				1	
3	10	NPG100-16											x			1	
3	10	NPG100-17													x	1	

ALL OTHER PARTS TO COMPLETE
INDICATOR FOUND ON FIGURE 3

Section II
Group Assembly Parts List

EO 20-85BA-4

Fig. No.	Index No.	Part No.	Nomenclature							Units Per Assy
			1	2	3	4	5	6	7	
		EA-100AN-48	Indicator							
62A	1	AN510B3-3	Screw							3
62A	2	EA-19009-3	Case Assembly							1
62A	2A	EA-19054-2	Case							1
62A	2B	EA-19062	Glass							1
62A	2C	EA-19061	Snap-Ring							1
62A	2D	EA-10040-1	Nut-Stop							1
62A	3	EA-19034	Shield (Not Used)							4
62A	4	EA-10890-1F	Pointer							1
62A	5	EA-10005AN-48	Dial							1
62A	6	EA-47092	Screw							2
62A	7	NPAA-100AN-48	Nameplate							1
62A	8	NPAD-100AN-48	Nameplate							1
62A	9	AN501B2-2	Screw							4
62A	10	EA-10001AN-1	Backplate Assembly							1
62A	11	EA-7960	Screw							2
62A	12	EA-19071	Sub-Dial							1
62A	13	EA-19003-1	Saddle Assembly-Mechanism							1
62A	13A	EA-19058	Saddle-Mechanism (Matched Parts Assembled)							1
62A	13B	EA-19059	Bracket-Mechanism (Matched Parts Assembled)							1
62A	13C	AN515B6-5	Screw							1
62A	13D	AN935B6	Washer-Lock							2
62A	13E	EA-15016	Clamp-Mechanism							1
62A	13F	EA-15011	Clamp-Pressure							1
62A	13G	AN500B6-7	Screw							1
62A	13H	AN935B6	Washer-Lock							1
62A	13J	EA-47012	Nut							1
62A	14	EA-10219C6	Mechanism (300°)-This Mechanism used instead of EA-10210A7 (120°)							1
62A	15	EA-10210B7	Mechanism (120°)-(Not Used)							
62A	16	AN505B6-9	Screw							1
62A	17	EA-10002AN	Backplate Sub-Assembly							1
62A	18	EA-19052-1	Backplate							1
62A	19	EA-7937-20	Receptacle Assembly							1
62A	20	AN500B4-5	Screw							4
62A	21	AN935B4	Washer-Lock							4
62A	22	EA-10084-11	Resistor							2
62A	23	EA-10084-27	Resistor							1
62A	24	AN500B6-5	Screw							3
62A	25	AN935B6	Washer-Lock							3
62A	26	EA-1632	Lug-Solder (Not Used)							
62A	27	EA-4551	Gasket							1

Fig. No.	Index No.	Part No.	Nomenclature	Units			
				EA-100-7	EA-100-8	EA-100-9	Per Assy
4	11	EA-10209B-7	Rotor Assembly	x	x	x	1
4	11A	EA-10237	Shaft—Rotor	x	x	x	1
4	11B	EA-10249	Bushing—Rotor	x	x	x	1
4	11C	EA-10233A	Magnet—Rotor	x	x	x	1
4	12	EA-10393	Magnet Assembly—Return	x	x	x	1
4	12A	EA-10392	Plate Assembly—Back	x	x	x	1
4	12A1	EA-10364	Plate—Back	x	x	x	1
4	12A2	EA-10363	Washer—Friction	x	x	x	2
4	12A3	EA-10366	Regulator	x	x	x	1
4	12A4	EA-10365	Adjustment—Return	x	x	x	1
4	12B	EA-10368	Magnet—Return	x	x	x	1
4	13	EA-10367	Ring—Snap	x	x	x	1
4	14	EA-10394	Bearing Assembly—Rear	x	x	x	1
4	14A	EA-10371	Bearing—Ring jewel	x	x	x	1
4	14B	EA-10370	Bearing—End jewel	x	x	x	1
4	14C	EA-10373	Holder—Jewel, rear	x	x	x	1
4	15	EA-10260	Nut—Lock	x	x	x	1
4	16	EA-10229	Screw—Adjusting	x	x	x	AR
3	7H	*EA-10825	Insert	x	x	x	2
3	7J	EA-10812	Screw—Set	x	x	x	2
3	8	EA-10810B6	Case Assembly	x	x	x	1
3	8A	EA-10824-1	Case	x	x	x	1
3	8B	EA-10085	Spacer	x	x	x	1
3	8C	EA-7937-1	Receptacle Assembly	x	x	x	1
3	8C1	AN3102-14S-2P	Receptacle	x	x	x	1
3	8C2	EA-7916-5	Wire—Yellow connection	x	x	x	1
3	8C3	EA-7917-7	Wire—Green connection	x	x	x	1
3	8C4	EA-7914-6	Wire—Blue connection	x	x	x	1
3	8C5	EA-7915-5	Wire—Red connection	x	x	x	1
3	8D	70401-3	Rivet	x	x	x	4
3	9	70558	Screw, FH 3 56 x 5/32 in.	x	x	x	4
3	10	NPB-100-7	Plate—Name	x			1
3	10	NPB-100-8	Plate—Name		x		1
3	10	NPB-100-9	Plate—Name			x	1
3	11	AN501B1-2	Screw, fil hd 1 72 x 1/8 in.	x	x	x	2

Fig. No.	Index No.	Part No.	Nomenclature	Units			
				EA-101-1	EA-101-27	EA-101-29	Per Assy
		EA-101	Indicator	x	x	x	1
5	1	EA-10191	Bezel Assembly	x	x	x	1
5	1A	EA-10136	Bezel	x	x	x	1
5	1B	*EA-10138	Glass	x	x	x	1
5	1C	EA-10119	Ring—Snap	x	x	x	1
5	2	EA-10166	Screw	x	x	x	8
5	3	*EA10443	Gasket—Bezel	x	x	x	1
5	4	*EA-10890-1Y	Pointer Assembly	x	x	x	1
5	4A	3992-1	Pointer—Blank	x	x	x	1
5	4B	EA-10146-1	Weight—Pointer	x	x	x	1
5	5	AN501BO-2	Screw, fil hd 0 80 x 1/8 in.	x	x	x	2
5	6	AN510B0-2	Screw, FH 0 80 x 1/8 in.	x	x	x	2
5	7	EA-10105-1	Dial	x			1
5	7	EA-10105-27	Dial		x		1
5	7	EA-10105-29	Dial			x	1
5	8	EA-10101D-1	Plate Assembly—Mounting	x	x	x	1
5	8A	EA-10102C	Plate Sub Assembly—Mounting	x	x	x	1
5	8A1	EA-101115A-9	Plate—Mounting	x	x	x	1
5	8A2	EA-10416	Insert	x	x	x	1
5	8A3	EA-10040	Nut—Stop	x	x	x	4
5	8A4	EA-10075-2	Adapter—Mechanism	x	x	x	1
5	8A5	70400-1	Rivet	x	x	x	3
5	8B	*EA-10084-11	Resistor Assembly	x	x	x	2
6	1	EA-10018-5	Spool Assembly	x	x	x	1
6	1A	EA-10019-5	Plate Assembly—Top	x	x	x	1
6	1A1	EA-10060	Head	x	x	x	1
6	1A2	EA-10067	Lug—Terminal	x	x	x	2
6	1A3	EA-10064	Eyelet	x	x	x	2
6	1B	EA-10060	Head	x	x	x	1
6	1C	EA-10093	Hub Assembly	x	x	x	1
6	1C1	EA-10062	Hub	x	x	x	1

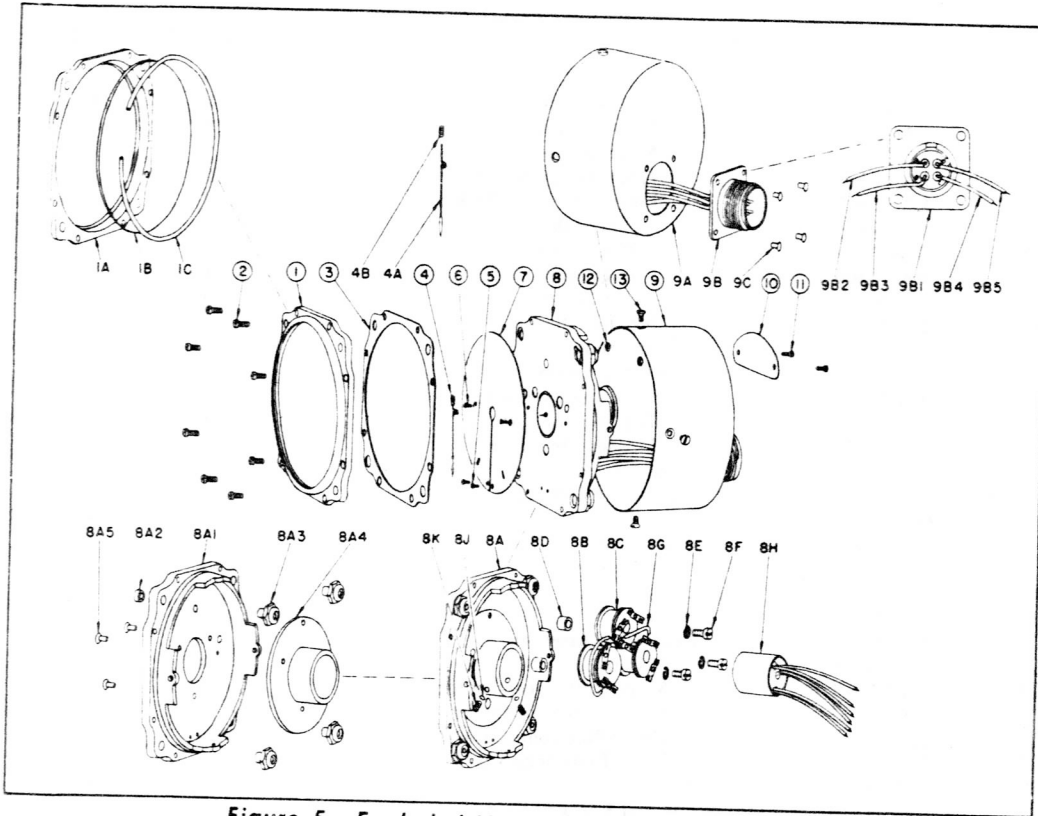


Figure 5—Exploded View of Main Assembly for
EA-101-1, -27 and -29 Indicators

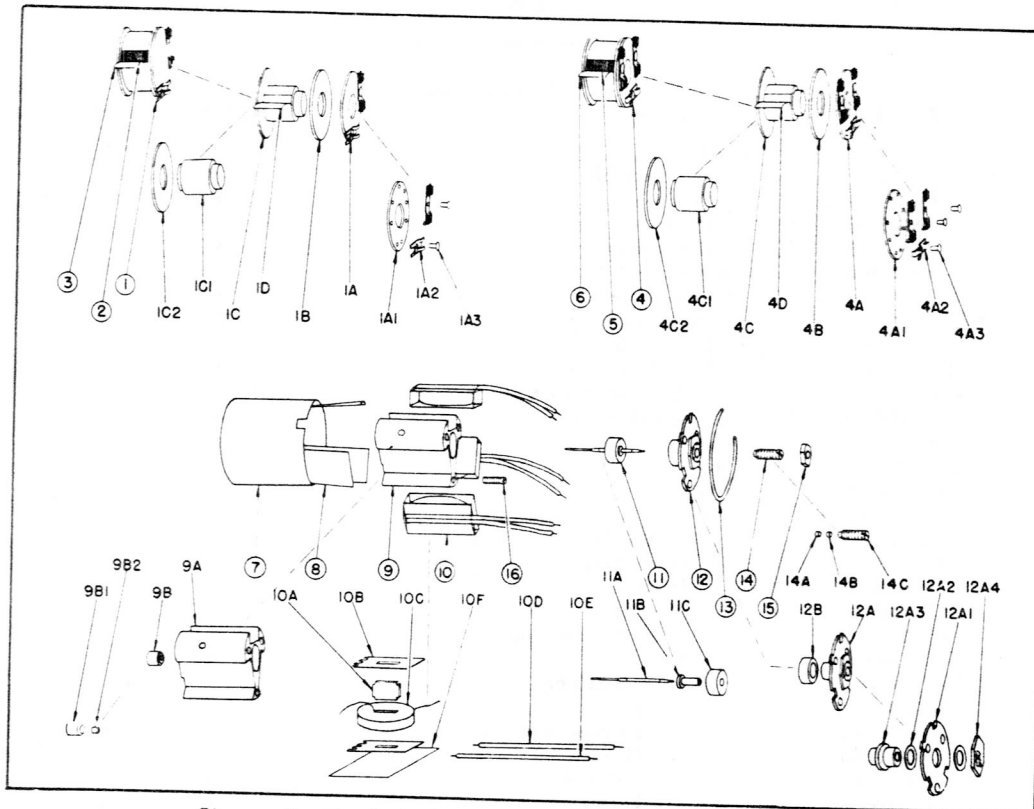


Figure 6—Exploded View of Mechanism and Resistors
EA-101-1, -27 and -29 Indicators

Fig. No.	Index No.	Part No.	Nomenclature	Units			
				EA-101-1	EA-101-27	EA-101-29	Per Assy
			1 2 3 4 5 6 7				
6	1C2	EA-10060	Head	x	x	x	1
6	1D	EA-7928	Tape—Insulating	x	x	x	1
6	2	EA-7912-32	Wire—Nichrome	x	x	x	1
6	3	EA-7928	Tape—Insulating	x	x	x	1
5	8C	*EA-10084-10	Resistor Assembly	x	x	x	1
6	4	EA-10018-2	Spool Assembly	x	x	x	1
6	4A	EA-10019-2	Plate Assembly—Top	x	x	x	1
6	4A1	EA-10060	Head	x	x	x	1
6	4A2	EA-100667	Lug—Terminal	x	x	x	3
6	4A3	EA-10064	Eyelet	x	x	x	3
6	4B	EA-10060	Head	x	x	x	1
6	4C	EA-10093	Hub Assembly	x	x	x	1
6	4C1	EA-10062	Hub	x	x	x	1
6	4C2	EA-10060	Head	x	x	x	1
6	4D	EA-7928	Tape—Insulating	x	x	x	1
6	5	EA-7912-32	Wire—Nichrome	x	x	x	1
6	6	EA-7928	Tape—Insulating	x	x	x	1
5	8D	EA-10418	Spacer	x	x	x	3
5	8E	EA-1562	Washer—Lock, No. 6	x	x	x	3
5	8F	AN500B6-7	Screw, fil hd 6 32 x 7/16 in.	x	x	x	3
5	8G	EA-7915-3	Lead	x	x	x	2
5	8H	*EA-10210C-6	Mechanism Assembly	x	x	x	1
6	7	EA-10289	Shell	x	x	x	1
6	8	EA-10374	Cup—Insulating	x	x	x	1
6	9	EA-10390	Form Assembly—Pin	x	x	x	1
6	9A	EA-10360	Form—Coil	x	x	x	1
6	9B	EA-10395	Bearing Assembly—Rear	x	x	x	1
6	9B1	EA-10372	Holder—Jewel	x	x	x	1
6	9B2	EA-10371	Jewel—Sapphire	x	x	x	1
6	10	EA-10391	Winding Assembly—Coil	x	x	x	3
6	10A	EA-10361	Core—Coil	x	x	x	1
6	10B	EA-10362	End—Coil	x	x	x	2
6	10C	EA-7913-42	Wire—Copper	x	x	x	1
6	10D	EA-7947-11	Wire—Red connection	x	x	x	1
6	10E	EA-7948-11	Wire—White connection	x	x	x	1
6	10F	EA-10380	Insulation—Coil form	x	x	x	1
6	11	EA-10209B-7	Rotor Assembly	x	x	x	1
6	11A	EA-10237	Shaft—Rotor	x	x	x	1
6	11B	EA-10249	Bushing—Rotor	x	x	x	1
6	11C	EA-10233A	Magnet—Rotor	x	x	x	1
6	12	EA-10393	Magnet Assembly—Return	x	x	x	1
6	12A	EA-10382	Plate Assembly—Back	x	x	x	1
6	12A1	EA-10364	Plate—Back	x	x	x	1
6	12A2	EA-10363	Washer—Friction	x	x	x	2
6	12A3	EA-10366	Regulator	x	x	x	1
6	12A4	EA-10365	Adjustment—Return	x	x	x	1
6	12B	EA-10368	Magnet—Return	x	x	x	1
6	13	EA-10367	Ring—Snap	x	x	x	1
6	14	EA-10394	Bearing Assembly—Rear	x	x	x	1
6	14A	EA-10371	Bearing—Ring jewel	x	x	x	1
6	14B	EA-10370	Bearing—End jewel	x	x	x	1
6	14C	EA-10373	Holder—Jewel, rear	x	x	x	1
6	15	EA-10260	Nut—Lock	x	x	x	1
6	16	EA-10229	Screw—Adjusting	x	x	x	AR
5	8J	*EA-10825	Insert	x	x	x	2
5	8K	EA-10812	Screw—Set	x	x	x	2
5	9	EA-10410-7	Case Assembly	x	x	x	1
5	9A	EA-14324-8	Case	x	x	x	1
5	9B	EA-7937-5	Receptacle Assembly	x	x	x	1
5	9B1	AN3102-14S-2P	Receptacle	x	x	x	1
5	9B2	EA-7916-8	Wire—Yellow connection	x	x	x	1
5	9B3	EA-7917-9	Wire—Green connection	x	x	x	1
5	9B4	EA-7914-8	Wire—Blue connection	x	x	x	1
5	9B5	EA-7915-7	Wire—Red connection	x	x	x	1
5	9C	70401-1	Rivet	x	x	x	4
5	10	NPF-101-1	Plate—Name	x			1
5	10	NPC-101-27	Plate—Name		x		1
5	10	NPC-101-29	Plate—Name			x	1
5	11	AN501B1-3	Screw, fil hd 1 72 x 3/16 in.	x	x	x	2
5	12	AN345B1	Nut, hex	x	x	x	2
5	13	70558	Screw, FH 3 56 x 5/32 in.	x	x	x	4

Section II
Group Assembly Parts List

EO 20-85BA-4

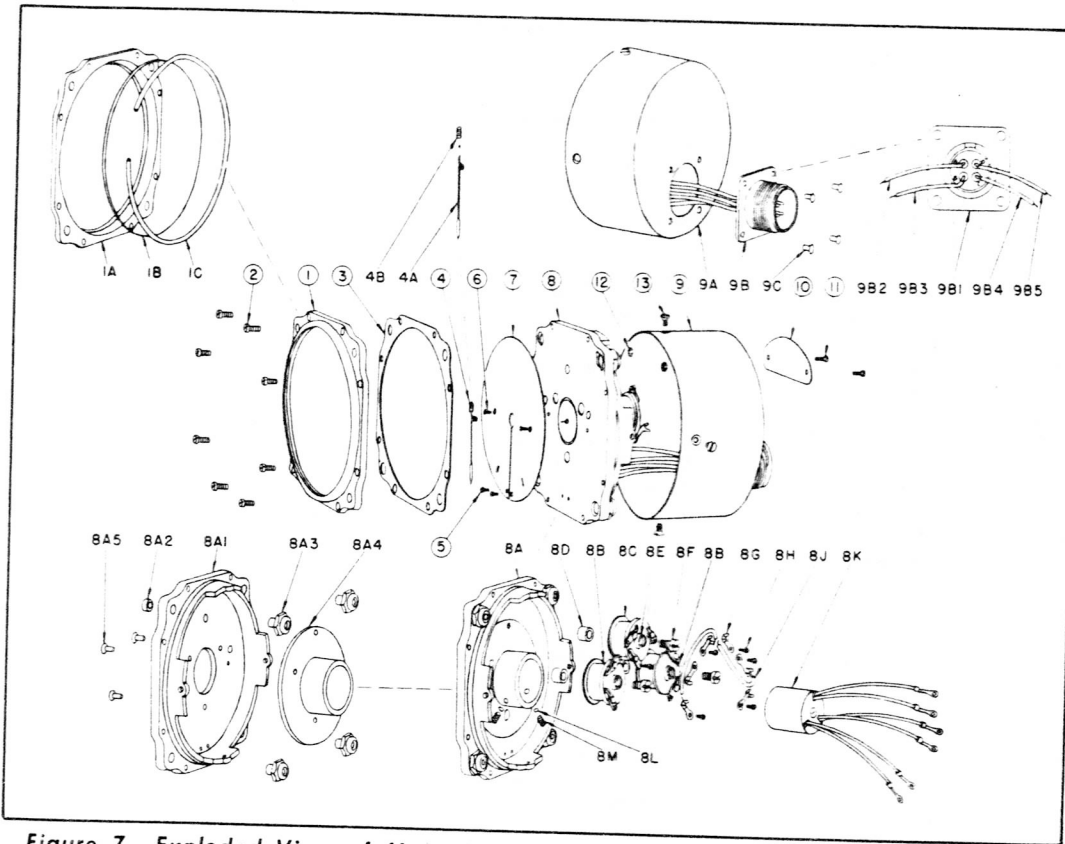


Figure 7—Exploded View of Main Assembly for EA-101-2, -3 -4 -8 -9 -18 -19
-24 -25 -311188-1L, -311188-1R, -311182-2, and -AT-9 Indicators

Fig. No.	Index No.	Part No.	Nomenclature	EA-101-2	EA-101-3	EA-101-4	EA-101-8	EA-101-9	EA-101-18	EA-101-19	EA-101-24	EA-101-25	EA-101-AT-9	EA-101-311188-1L	EA-101-311188-1R	EA-101-311188-2	Units Per Assy
			1 2 3 4 5 6 7														
		EA-101	Indicator	x	x	x	x	x	x	x	x	x	x	x	x	x	1
7	1	EA-10191	Bezel Assembly	x	x	x	x	x	x	x	x	x	x	x	x	x	1
7	1A	EA-10136	Bezel	x	x	x	x	x	x	x	x	x	x	x	x	x	1
7	1B	*EA-1038	Glass	x	x	x	x	x	x	x	x	x	x	x	x	x	1
7	1C	EA-10119	Ring—Snap	x	x	x	x	x	x	x	x	x	x	x	x	x	1
7	2	EA-10166	Screw	x	x	x	x	x	x	x	x	x	x	x	x	x	1
7	3	*EA-10443	Gasket—Bezel	x	x	x	x	x	x	x	x	x	x	x	x	x	8
7	4	*EA-10890-1Y	Pointer Assembly	x	x	x	x	x	x	x	x	x	x	x	x	x	1
7	4	*EA-10890-1L	Pointer Assembly	x	x	x	x	x	x	x	x	x	x	x	x	x	1
7	4A	3992-1	Blank—Pointer										x				1
7	4B	EA-10146-1	Weight—Pointer	x	x	x	x	x	x	x	x	x	x	x	x	x	1
7	5	AN501B0-2	Screw, fil hd 0 80 x 1/8 in.	x	x	x	x	x	x	x	x	x	x	x	x	x	1
7	6	AN510B0-2	Screw, FH 0 80 x 1/8 in.	x	x	x	x	x	x	x	x	x	x	x	x	x	2
7	7	EA-10105-2	Dial	x													2
7	7	EA-10105-3	Dial	x													1
7	7	EA-10105-4	Dial		x												1
7	7	EA-10105-8	Dial			x											1
7	7	EA-10105-9	Dial				x										1
7	7	EA-10105-18	Dial					x									1
7	7	EA-10105-19	Dial						x								1
7	7	EA-10105-24	Dial							x							1
7	7	EA-10105-25	Dial								x						1
7	7	EA-10105-17	Dial									x					1
7	7	EA-10105-11	Dial										x				1
7	7	EA-10105-12	Dial											x			1
7	7	EA-10105-13	Dial												x		1
7	8	EA-10101C-2	Plate Assembly—Mounting													x	1
7	8A	EA-10102C	Plate Sub Assembly—Mounting	x	x	x	x	x	x	x	x	x	x	x	x	x	1

Fig. No.	Index No.	Part No.	Nomenclature								Units per Assy.	
				1	2	3	4	5	6	7		
56A			Indicator									
56A	1	AN510B3-3	Screw—Brass, Bl. Ox., Fl. Hd., No. 3-56 x 3 16 in. long	x	x	x	x	x	x	x	x	3
56A	2	EA-19010-1	Case Assembly (Without Stop Nuts)						x			1
56A	2	EA-19010-5	Case Assembly (With Stop Nuts)	x	x	x			x	x	x	1
56A	2A	EA-19053-1	Case	x	x	x	x	x	x	x	x	1
56A	2B	EA-19056	Glass	x	x	x	x	x	x	x	x	1
56A	2C	EA-19057	Snap Ring	x	x	x	x	x	x	x	x	1
56A	3	EA-19043	Shield (Not Used)									
56A	4	EA-10890-1F	Pointer	x	x	x	x	x	x	x	x	1
56A	5	EA-10105AN-18	Dial	x								1
56A	5	EA-10105AN-19A	Dial			x						1
56A	5	EA-10105AN-27A	Dial				x					1
56A	5	EA-10105AN-44	Dial					x				1
56A	5	EA-10105AN-67	Dial						x			1
56A	5	EA-10105AN-78	Dial								x	1
56A	6	AN515B2-2	Screw	x	x	x	x	x	x	x	x	2
56A	7	NPS-101AN18	Nameplate	x								1
56A	7	NPS-101AN-19A	Nameplate				x					1
56A	7	NPS-101AN-27A	Nameplate					x				1
56A	7	NPS-101AN-44	Nameplate						x			1
56A	7	NPS-101AN-67	Nameplate							x		1
56A	7	NPS-101AN-78	Nameplate								x	1
56A	8	EA-47092	Screw—Brass, Binding Hd., No. 2-56 x 1/4 in. long	x	x	x	x	x	x	x	x	2
56A	9	EA-10101AN-1	Back Plate Assembly	x	x	x	x	x	x	x	x	1
56A	10	EA-10103AN-1	Back Plate Sub-Assembly	x	x	x	x	x	x	x	x	1
56A	11	EA-19051-1	Back Plate	x	x	x	x	x	x	x	x	1
56A	12	EA-19050-1	Adaptor	x	x	x	x	x	x	x	x	1
56A	13	EA-4551	Gasket	x	x	x	x	x	x	x	x	2
56A	14	EA-7937-18	Receptacle Assembly	x	x	x	x	x	x	x	x	1
56A	15	AN500B4-12	Screw—Brass, N. Plate, Fil. Hd., No. 4-40 x 3/4	x	x	x	x	x	x	x	x	4
56A	16	AN935B4	Washer—Lock, Bronze, No. 4	x	x	x	x	x	x	x	x	4
56A	17	EA-19092	Gasket	x	x	x	x	x	x	x	x	1
56A	18	EA-10102AN-1	Mounting Plate Assembly	x	x	x	x	x	x	x	x	1
56A	19	AN515B6-5	Screw—Brass, N. Plate, Rd. Hd., No. 6-32 x 5/16 in. long	x	x	x	x	x	x	x	x	5
56A	20	AN935B6	Washer—Lock, Bronze, No. 6	x	x	x	x	x	x	x	x	5
56A	21	EA-19063	Mounting Plate	x	x	x	x	x	x	x	x	1
56A	22	EA-7960	Screw	x	x	x	x	x	x	x	x	2
56A	23	EA-19055	Sub-Dial	x	x	x	x	x	x	x	x	1
56A	24	EA-1630	Lug—Solder (Not Used)									
56A	25	EA-10083-1	Resistor	x	x	x	x	x	x	x	x	1
56A	26	EA-10210C6	Mechanism	x	x	x	x	x	x	x	x	1
56A	27	EA-19003-2	Saddle Assembly—Mechanism	x	x	x	x	x	x	x	x	1
56A	27A	EA-19058	Saddle—Mechanism	x	x	x	x	x	x	x	x	1
56A	27B	EA-19059	Bracket—Mechanism	x	x	x	x	x	x	x	x	1
56A	27C	AN515B6-5	Screw—Brass, N. Plate, Rd. Hd., No. 6-32 x 5/16 in. long	x	x	x	x	x	x	x	x	1
56A	27D	AN935B6	Washer—Lock, Bronze, No. 6	x	x	x	x	x	x	x	x	1
56A	27E	EA-15016	Clamp—Mechanism	x	x	x	x	x	x	x	x	1
56A	27F	EA-15011	Clamp—Pressure	x	x	x	x	x	x	x	x	1
56A	27G	AN500B6-7	Screw—Brass, N. Plate, Fil. Hd., No. 6-32 x 7/16 in. long	x	x	x	x	x	x	x	x	1
56A	27H	AN935B6	Washer—Lock, Bronze, No. 6	x	x	x	x	x	x	x	x	1
56A	27J	EA-47012	Nut—Brass, Hex., N. Plate, No. 6-32	x	x	x	x	x	x	x	x	1

113

113

113

113

RESCINDED

Fig. No.	Index No.	Part No.	Nomenclature	EA-101-2	EA-101-3	EA-101-4	EA-101-8	EA-101-9	EA-101-18	EA-101-19	EA-101-24	EA-101-25	EA-101-AT-9	EA-101-311188-1L	EA-101-311188-1R	EA-101-311188-2	Units Per Assy
			1 2 3 4 5 6 7														
7	8A1	EA-10115A-9	Plate—Mounting	x	x	x	x	x	x	x	x	x	x	x	x	x	1
7	8A2	EA-10416	Insert	x	x	x	x	x	x	x	x	x	x	x	x	x	1
7	8A3	EA-10040	Nut—Stop	x	x	x	x	x	x	x	x	x	x	x	x	x	4
7	8A4	EA-10075-2	Adapter—Mechanism	x	x	x	x	x	x	x	x	x	x	x	x	x	1
7	8A5	70400-1	Rivet	x	x	x	x	x	x	x	x	x	x	x	x	x	3
7	8B	*EA-10080-11	Resistor Assembly	x	x	x	x	x	x	x	x	x	x	x	x	x	2
8	1	EA-10094-5	Spool Assembly	x	x	x	x	x	x	x	x	x	x	x	x	x	1
8	1A	EA-10096-5	Plate Assembly—Top	x	x	x	x	x	x	x	x	x	x	x	x	x	1
8	1A1	EA-10060	Head	x	x	x	x	x	x	x	x	x	x	x	x	x	1
8	1A2	EA-10063	Lug	x	x	x	x	x	x	x	x	x	x	x	x	x	1
8	1A3	EA-10267-1	Lug—Solder	x	x	x	x	x	x	x	x	x	x	x	x	x	2
8	1A4	EA-10064-1	Eyelet	x	x	x	x	x	x	x	x	x	x	x	x	x	2
8	1B	EA-10060	Head	x	x	x	x	x	x	x	x	x	x	x	x	x	1
8	1C	EA-10093	Hub Assembly	x	x	x	x	x	x	x	x	x	x	x	x	x	1
8	1C1	EA-10062	Hub	x	x	x	x	x	x	x	x	x	x	x	x	x	1
8	1C2	EA-10060	Head	x	x	x	x	x	x	x	x	x	x	x	x	x	1
8	1D	EA-7928	Tape—Insulating	x	x	x	x	x	x	x	x	x	x	x	x	x	1
8	2	EA-7912-32	Wire—Nichrome	x	x	x	x	x	x	x	x	x	x	x	x	x	1
8	3	EA-7928	Tape—Insulating	x	x	x	x	x	x	x	x	x	x	x	x	x	1
7	8C	*EA-10080-10	Resistor Assembly	x	x	x	x	x	x	x	x	x	x	x	x	x	1
8	4	EA-10094-2	Spool Assembly	x	x	x	x	x	x	x	x	x	x	x	x	x	1
8	4A	EA-10096-2	Plate Assembly—Top	x	x	x	x	x	x	x	x	x	x	x	x	x	1
8	4A1	EA-10060	Head	x	x	x	x	x	x	x	x	x	x	x	x	x	1
8	4A2	EA-10063	Lug	x	x	x	x	x	x	x	x	x	x	x	x	x	3
8	4A3	EA-10267-1	Lug—Solder	x	x	x	x	x	x	x	x	x	x	x	x	x	3
8	4A4	EA-10064-1	Eyelet	x	x	x	x	x	x	x	x	x	x	x	x	x	3

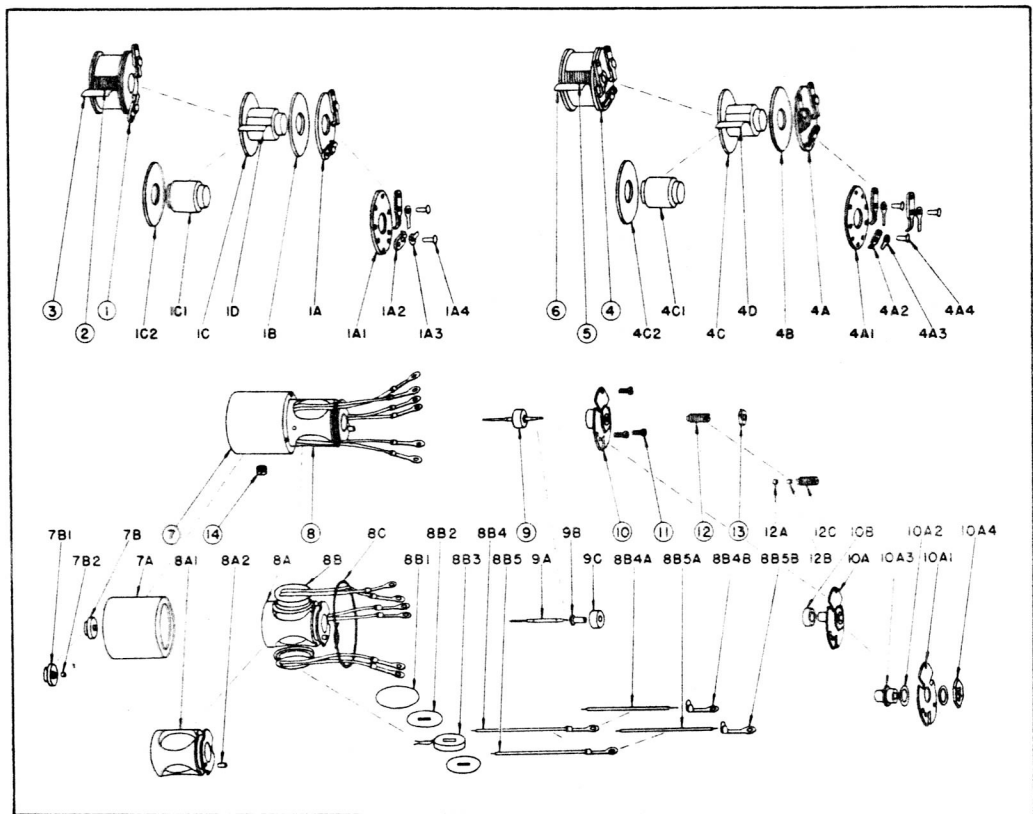


Figure 8—Exploded View of Mechanism and Resistors for EA-101-2, -3 -4 -8 -9 -18 -19 -24 -25 -311188-1L, -311188-1R, -311182-2, and -AT-9 Indicators

Fig. Index
No. No.

Part No.

Nomenclature

1 2 3 4 5 6 7

EA-101-2

EA-101-3

EA-101-4

EA-101-8

EA-101-9

EA-101-18

EA-101-19

EA-101-24

EA-101-25

EA-101-AT-9

EA-101-311188-1L

EA-101-311188-1R

EA-101-311188-2

Units
Per
Assy

Fig. No.	Index No.	Part No.	Nomenclature	EA-101-2	EA-101-3	EA-101-4	EA-101-8	EA-101-9	EA-101-18	EA-101-19	EA-101-24	EA-101-25	EA-101-AT-9	EA-101-311188-1L	EA-101-311188-1R	EA-101-311188-2	Units Per Assy
7	9C	70401-1	Rivet	x	x	x	x	x	x	x	x	x	x	x	x	x	4
7	10	NPC-101-2	Plate—Name	x													1
7	10	NPC-101-3	Plate—Name		x												1
7	10	NPC-101-4	Plate—Name			x											1
7	10	NPC-101-8	Plate—Name (Used for Army)				x										1
7	10	NPF-101-8	Plate—Name (Used for Navy)				x										1
7	10	NPC-101-9	Plate—Name (Used for Army)					x									1
7	10	NPF-101-9	Plate—Name (Used for Navy)					x									1
7	10	NPC-101-18	Plate—Name						x								1
7	10	NPC-101-19	Plate—Name							x							1
7	10	NPC-101-24	Plate—Name								x						1
7	10	NPC-101-25	Plate—Name									x					1
7	10	NPA-101-17	Plate—Name										x				1
7	10	NPC-101-11	Plate—Name (Used for Army)											x			1
7	10	NPF-101-11	Plate—Name (Used for Navy)											x			1
7	10	NPC-101-12	Plate—Name (Used for Army)												x		1
7	10	NPF-101-12	Plate—Name (Used for Navy)												x		1
7	10	NPC-101-13	Plate—Name (Used for Army)													x	1
7	10	NPF-101-13	Plate—Name (Used for Navy)													x	1
7	11	AN501B1-3	Screw, fil hd 1 7/2 x 3/16 in.	x	x	x	x	x	x	x	x	x	x	x	x	x	2
7	12	AN345B1	Nut, hex 1 7/2	x	x	x	x	x	x	x	x	x	x	x	x	x	2
7	13	70558	Screw, FH 3 5/8 x 5/32 in.	x	x	x	x	x	x	x	x	x	x	x	x	x	4

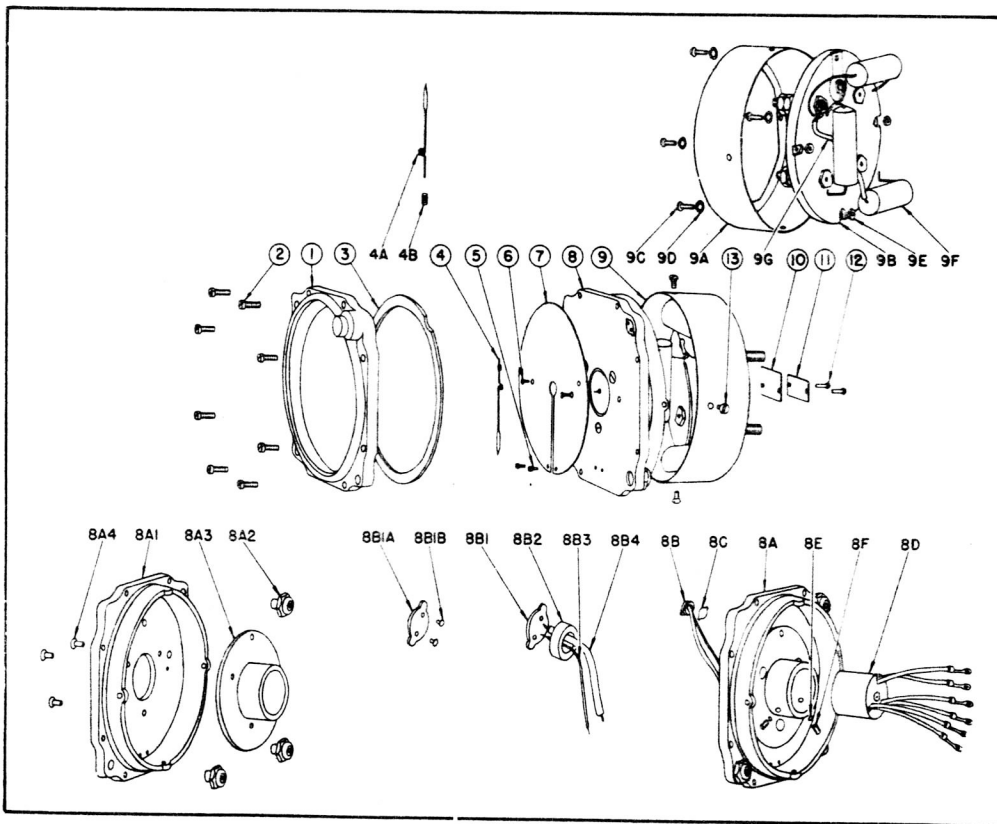


Figure 9—Exploded View of Main Assembly for EA-101A-5, -6 -7 -14 -15 and -16 Indicators

Section II
Group Assembly Parts List

EO 20-85BA-4

Fig. No.	Index No.	Part No.	Nomenclature								Units Per Assy
				EA-101A-5	EA-101A-6	EA-101A-7	EA-101A-14	EA-101A-15	EA-101A-16		
			1 2 3 4 5 6 7								
		EA-101A	Indicator	x	x	x	x	x	x	1	
9	1	EA-10118A	Bezel Assembly	x	x	x	x	x	x	1	
10	1	EA-14308	Bezel Sub Assembly	x	x	x	x	x	x	1	
10	1A	EA-14364	Bezel	x	x	x	x	x	x	1	
10	1B	EA-14354	Socket Assembly—Lamp	x	x	x	x	x	x	1	
10	1B1	EA-14355	Insert—Retainer	x	x	x	x	x	x	1	
10	1B2	EA-14356	Disc—Insulating	x	x	x	x	x	x	1	
10	1B3	EA-14357	Sleeve	x	x	x	x	x	x	1	
10	1B4	EA-14352	Washer—Insulation	x	x	x	x	x	x	1	
10	1B5	EA-14358	Wire	x	x	x	x	x	x	2	
10	1B6	EA-14371	Tubing—Insulating	x	x	x	x	x	x	2	
10	1C	EA-14353	Spacer	x	x	x	x	x	x	1	
10	1D	EA-14309	Contact Assembly	x	x	x	x	x	x	1	
10	1D1	EA-14350	Disc—Contact	x	x	x	x	x	x	1	
10	1D2	EA-14351	Contact	x	x	x	x	x	x	2	
10	2	EA-1309	Lamp—Instrument	x	x	x	x	x	x	1	
10	3	EA-14362	Gasket—Outer	x	x	x	x	x	x	1	
10	4	*EA-10138	Glass	x	x	x	x	x	x	1	
10	5	EA-14359	Window—Ring light	x	x	x	x	x	x	1	
10	6	EA-14360	Ring—Light	x	x	x	x	x	x	1	
9	2	EA-10165	Screw	x	x	x	x	x	x	8	
9	3	*EA-10143B	Gasket—Bezel	x	x	x	x	x	x	1	
9	4	*10890-1	Pointer Assembly	x	x	x	x	x	x	1	
9	4A	3992-1	Blank—Pointer	x	x	x	x	x	x	1	
9	4B	EA-10146-1	Weight—Pointer	x	x	x	x	x	x	1	
9	5	AN510B0-2	Screw, FH 0 80 x 1/8 in.	x	x	x	x	x	x	2	
9	6	AN501B0-2	Screw, fil hd 0 80 x 1/8 in.	x	x	x	x	x	x	2	
9	7	EA-10105-5	Dial	x						1	

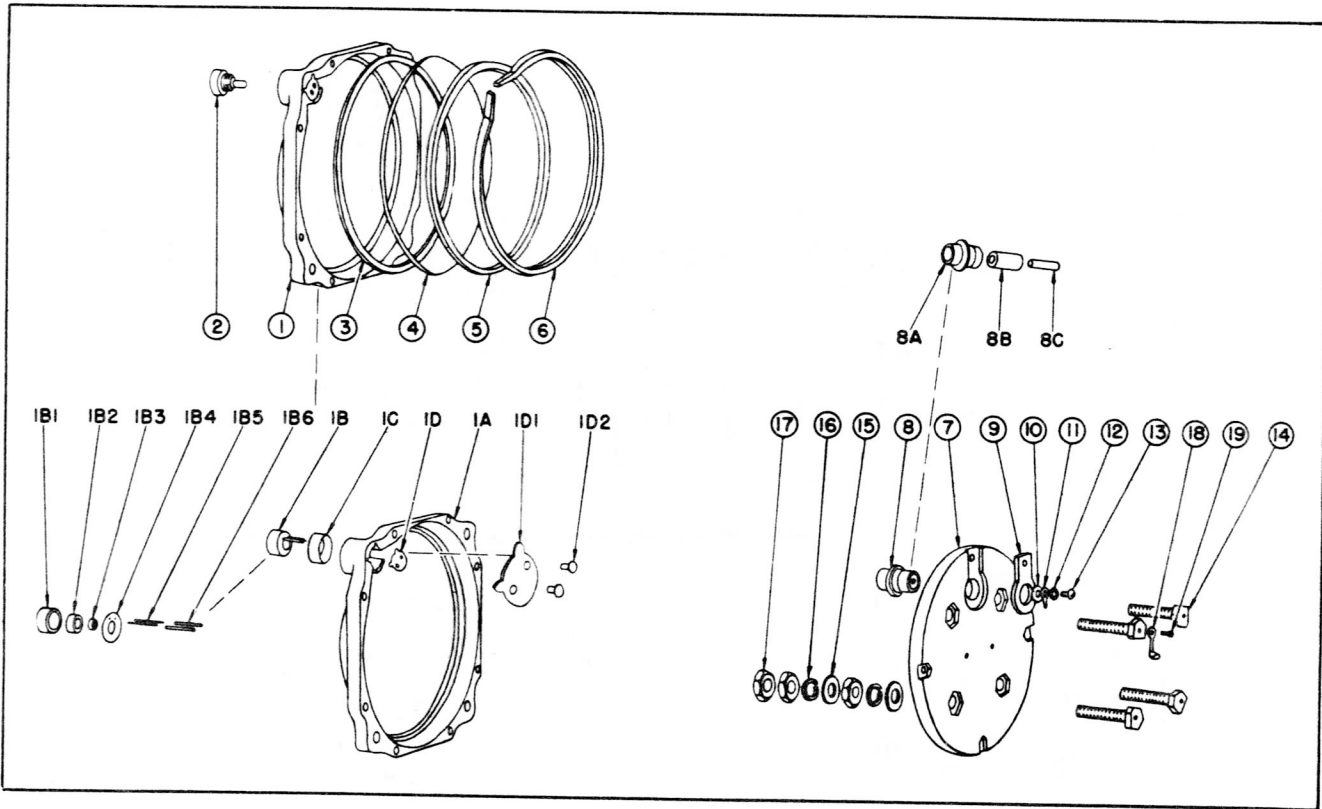


Figure 10—Exploded View of Bezel Sub Assembly and Back Plate Assembly for EA-101-A-5, -6 -7 -14 -15 and -16 Indicators

RESCINDED
Nomenclature

Fig. No.	Index No.	Part No.	Nomenclature	EA-1010A-6	EA-101A-6	EA-101A-7	EA-101A-14	EA-101A-15	EA-101A-16	Units Per Assy
			1 2 3 4 5 6 7							
9	7	EA-10105-6	Dial		x					1
9	7	EA-10105-7	Dial			x				1
9	7	EA-10105-14	Dial				x			1
9	7	EA-10105-15	Dial					x		1
9	7	EA-10105-16	Dial						x	1
9	8	EA-10151C-1	Plate Assembly—Mounting	x	x	x	x	x	x	1
9	8A	EA-70152C	Plate Sub Assembly—Mounting	x	x	x	x	x	x	1
9	8A1	EA-10115A-10	Plate—Mounting	x	x	x	x	x	x	1
9	8A2	EA-10040	Nut—Stop	x	x	x	x	x	x	3
9	8A3	EA-10075-2	Adapter—Mechanism	x	x	x	x	x	x	1
9	8A4	70400-1	Rivet	x	x	x	x	x	x	3
9	8B	EA-10103A	Wire Assembly	x	x	x	x	x	x	1
9	8B1	EA-14304	Contact Assembly	x	x	x	x	x	x	1
9	8B1A	EA-14369	Plate	x	x	x	x	x	x	1
9	8B1B	EA-14370	Contact	x	x	x	x	x	x	2
9	8B2	EA-14366	Washer	x	x	x	x	x	x	1
9	8B3	EA-14367	Wire	x	x	x	x	x	x	2
9	8B4	EA-14368	Tubing	x	x	x	x	x	x	1
9	8C	EA-10153A	Insulator	x	x	x	x	x	x	1
9	8D	*EA-10210C2	Mechanism Assembly	x	x	x	x	x	x	1
11	1	EA-10292-9	Case Assembly—Mechanism	x	x	x	x	x	x	1
11	1A	EA-10235-7	Case—Mechanism	x	x	x	x	x	x	1
11	1B	EA-10286	Nut—Lock	x	x	x	x	x	x	1
11	1C	EA-10230	Jewel	x	x	x	x	x	x	1
11	2	EA-10293C	Form Assembly—Coil	x	x	x	x	x	x	1
11	2A	EA-10297	Form Assembly—Pin and Coil	x	x	x	x	x	x	1
11	2A1	EA-10226	Form—Coil	x	x	x	x	x	x	1
11	2A2	EA-10288	Pin—Coil form	x	x	x	x	x	x	1
11	2B	EA-10295	Winding Assembly—Coil	x	x	x	x	x	x	3
11	2B1	EA-10259	Insulator—Coil form	x	x	x	x	x	x	1
11	2B2	EA-10227	End—Coil	x	x	x	x	x	x	2

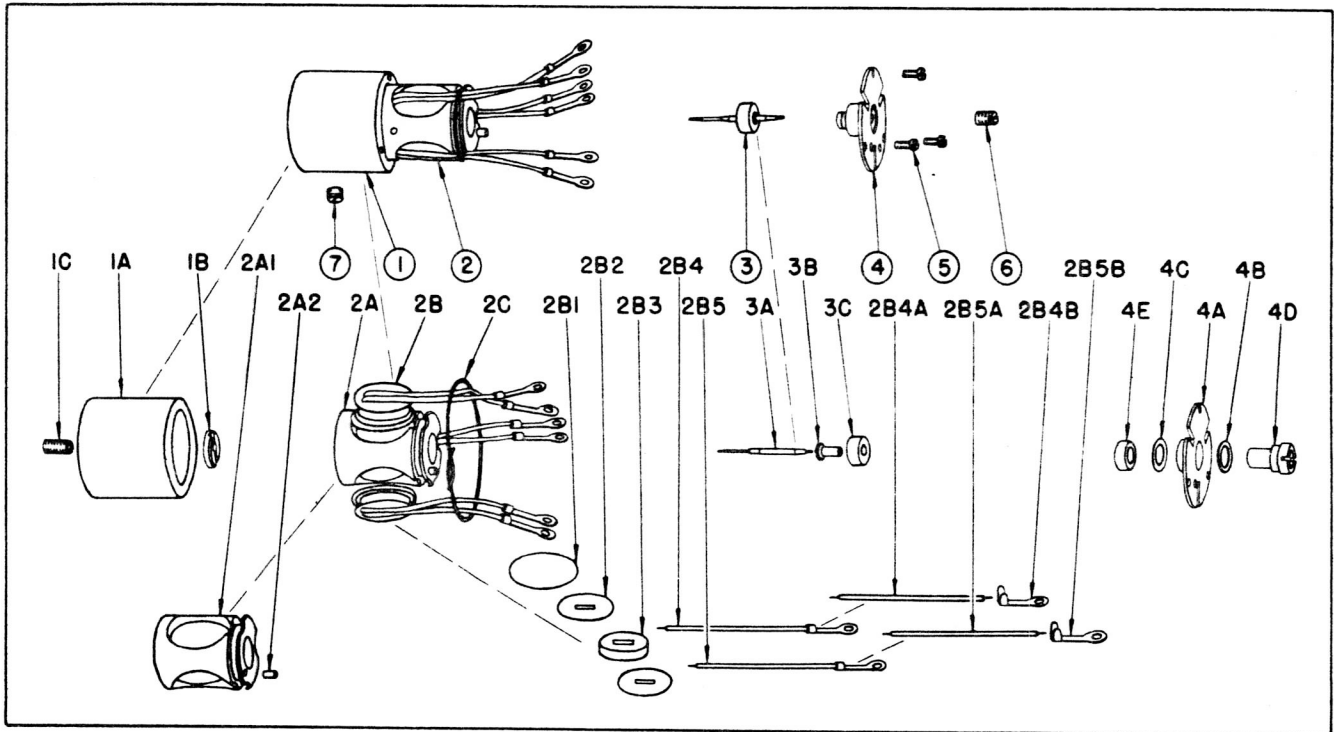


Figure 11—Exploded View of Mechanism Assembly for EA-101A-5, -6 -7 -14 -15 and -16 Indicators

Section II
 Group Assembly Parts List

Fig. No.	Index No.	Part No.	Nomenclature	EA-101A-5	EA-101A-6	EA-101A-7	EA-101A-14	EA-101A-15	EA-101A-16	Units Per Assy
				1	2	3	4	5	6	7
11	2B3	EA-7913-44	Wire—Copper	x	x	x	x	x	x	1
11	2B4	EA-7954-1	Lead Assembly	x	x	x	x	x	x	1
11	2B4A	EA-7948-7	Wire—White connection	x	x	x	x	x	x	1
11	2B4B	EA-10267	Lug—Solder	x	x	x	x	x	x	1
11	2B5	EA-7954-2	Lead Assembly	x	x	x	x	x	x	1
11	2B5A	EA-7947-7	Wire—Red connection	x	x	x	x	x	x	1
11	2B5B	EA-10267	Lug—Solder	x	x	x	x	x	x	1
11	2C	EA-7920	Cord—Waxed	x	x	x	x	x	x	1
11	3	EA-10298B-3	Rotor Assembly	x	x	x	x	x	x	1
11	3A	EA-10243	Shaft—Rotor	x	x	x	x	x	x	1
11	3B	EA-10249	Bushing—Rotor	x	x	x	x	x	x	1
11	3C	EA-10233A	Magnet—Rotor	x	x	x	x	x	x	1
11	4	EA-10220	Regulator Assembly	x	x	x	x	x	x	1
11	4A	EA-10254	Plate—Bearing	x	x	x	x	x	x	1
11	4B	EA-10265	Washer	x	x	x	x	x	x	1
11	4C	EA-10266	Washer	x	x	x	x	x	x	1
11	4D	EA-10253	Regulator	x	x	x	x	x	x	1
11	4E	EA-10236	Magnet—Return	x	x	x	x	x	x	1
11	5	EA-10244	Jewel Bearing—Rear	x	x	x	x	x	x	1
11	6	AN501B0-2	Screw, fil hd 0 80 x 1/8 in.	x	x	x	x	x	x	3
11	7	EA-10223	Screw—Scale adjusting	x	x	x	x	x	x	AR
11	7	EA-10223A	Screw—Scale adjusting	x	x	x	x	x	x	AR
9	8E	*EA-10825	Insert	x	x	x	x	x	x	2
9	8F	EA-10812	Screw—Set	x	x	x	x	x	x	2
9	9	EA-10110A-1	Case Assembly	x	x	x	x	x	x	1
9	9A	EA-10112	Case	x	x	x	x	x	x	1
9	9B	EA-10107A-1	Plate Assembly—Back	x	x	x	x	x	x	1
10	7	EA-10117A-1	Plate—Back	x	x	x	x	x	x	1
10	8	10197	Connector Assembly	x	x	x	x	x	x	1
10	8A	10122	Housing	x	x	x	x	x	x	1
10	8B	10124	Spacer	x	x	x	x	x	x	1
10	8C	10123	Contact	x	x	x	x	x	x	1
10	9	EA-10116	Plate—Contact	x	x	x	x	x	x	1
10	10	10125	Insulator	x	x	x	x	x	x	1
10	11	EA-1619	Lug—Solder	x	x	x	x	x	x	1
10	12	EA-12867	Washer—Lock	x	x	x	x	x	x	1
10	13	AN515B2-3	Screw, RH 2 56 x 3/16 in.	x	x	x	x	x	x	1
10	14	EA-10144	Screw—Terminal	x	x	x	x	x	x	4
10	15	AN940B-10	Washer	x	x	x	x	x	x	8
10	16	EA-5126	Washer—Lock	x	x	x	x	x	x	8
10	17	AN345B-10	Nut	x	x	x	x	x	x	12
10	18	EA-10267	Lug—Solder	x	x	x	x	x	x	1
10	19	AN501B0-2	Screw, fil hd 0 80 x 1/8 in.	x	x	x	x	x	x	1
9	9C	AN520B3-4	Screw, RH 3 56 x 1/4 in.	x	x	x	x	x	x	4
9	9D	EA-12865	Washer—Lock	x	x	x	x	x	x	4
9	9E	AN345B-3	Nut	x	x	x	x	x	x	4
9	9F	EA-10120	Resistor	x	x	x	x	x	x	3
9	9G	EA-7926	Wire—Connection	x	x	x	x	x	x	1
9	10	EA-10285	Plate—Voltage	x	x	x	x	x	x	1
9	11	EA-12833	Plate—Name	x	x	x	x	x	x	1
9	12	AN430-2-4	Rivet	x	x	x	x	x	x	2
9	13	70558	Screw, FH 3 56 x 1/8 in.	x	x	x	x	x	x	4

RESCINDED

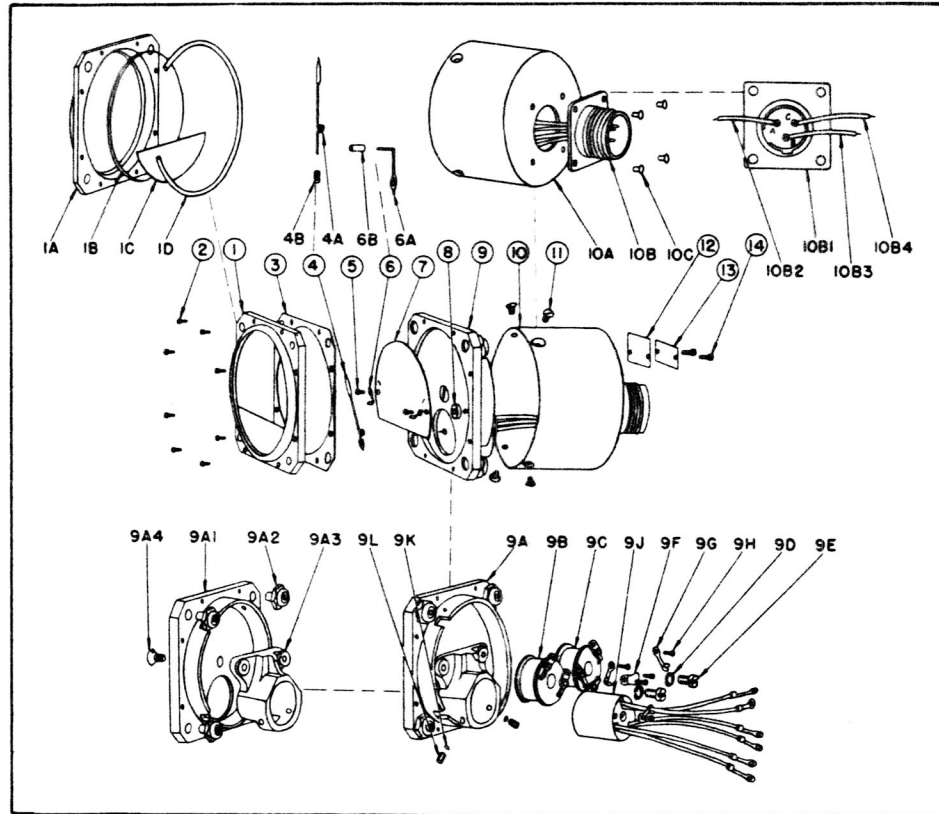


Figure 12—Exploded View of Main Assembly
for EA-102-1, and -1F Indicators

Fig. No.	Index No.	Part No.	Nomenclature	EA-102-1	EA-102-1F	Units Per Assy
		EA-102	Indicator			
12	1	EA-10891-1	Indicator	x	x	1
12	1A	EA-10836	Bezel Assembly	x	x	1
12	1B	*EA-10838	Bezel	x	x	1
12	1C	EA-10283-1	Glass	x	x	1
12	1D	EA-10819	Shield	x	x	1
12	2	AN501B0-3	Ring—Snap	x	x	1
12	3	*EA-10844	Screw, fil hd 0 80 x 3/16 in.	x	x	8
12	4	*EA-10890-1L	Gasket—Bezel	x	x	1
12	4	*EA-10890-1Y	Pointer Assembly	x		1
12	4A	3992-1	Pointer Assembly		x	1
12	4B	EA-10146-1	Blank—Pointer	x	x	1
12	5	AN501B0-3	Weight—Pointer	x	x	1
12	6	EA-12843-2	Screw, fil hd 0 80 x 3/16 in.	x	x	2
12	6A	EA-12844-2	Stop Assembly—Pointer	x	x	2
12	6B	EA-12845	Holder—Pointer stop	x	x	1
12	7	EA-10205-1	Sleeve—Pointer stop	x	x	1
12	7	EA-10205-1F	Dial	x		1
12	8	EA-10216	Dial		x	1
12	9	EA-10201C-1	Spacer	x	x	2
12	9A	EA-10202C1	Plate Assembly—Mounting	x	x	1
12	9A1	EA-10830-11	Plate Sub Assembly—Mounting	x	x	1
12	9A2	EA-10040	Plate—Mounting	x	x	1
12	9A3	EA-10811D-2	Nut—Stop	x	x	4
12	9A4	AN505B6-4	Bracket—Mechanism	x	x	1
12	9B	*EA-10080-5	Screw, FH 6 32 x 1/4 in.	x	x	1
13	1	EA-10094-3	Resistor Assembly	x	x	1
13	1A	EA-10096-3	Spool Assembly	x	x	1
13	1A1	EA-10060	Plate Assembly—Top	x	x	1
13	1A2	EA-10063	Head	x	x	1
13	1A3	EA-10267-1	Lug	x	x	2
13	1A4	EA-10064-1	Lug—Solder	x	x	2
			Eyelet	x	x	2

Section II
Group Assembly Parts List

Fig. No.	Index No.	Part No.	Nomenclature							EA-102-1	EA-102-1F	Units Per Assy
			1	2	3	4	5	6	7			
							Head		x		1	
							Hub Assembly		x		1	
13	1B	EA-10060					Hub		x		1	
13	1C1	EA-10062					Head		x		1	
13	1C2	EA-10060					Tape—Insulating		x		1	
13	1D	EA-7928					Wire—Nichrome		x		1	
13	2	EA-7912-30					Tape—Insulating		x		1	
13	3	EA-7928					Resistor Assembly		x		1	
12	9C	*EA-10080-15					Spool Assembly		x		1	
13	4	EA-10094-1					Plate Assembly—Top		x		1	
13	4A	EA-10096-1					Head		x		1	
13	4A1	EA-10060					Lug		x		3	
13	4A2	EA-10063					Lug—Solder		x		3	
13	4A3	EA-10267-1					Eyelet		x		3	
13	4A4	EA-10064-1					Head		x		1	
13	4B	EA-10060					Hub Assembly		x		1	
13	4C	EA-10093					Hub		x		1	
13	4C1	EA-10062					Head		x		1	
13	4C2	EA-10060					Tape—Insulating		x		1	
13	4D	EA-7928					Wire—Nichrome		x		1	
13	5	EA-7912-34					Tape—Insulating		x		1	
13	6	EA-7928					Washer—Lock, No. 6		x		2	
12	9D	EA-1562					Screw, fil hd 6 32 x 1/4 in.		x		2	
12	9E	AN500B6-4					Lug—Solder		x		1	
12	9F	EA-7929					Lug—Solder		x		3	
12	9G	EA-10267					Screw, fil hd 0 80 x 1/8 in.		x		5	
12	RH	AN501B0-2					Mechanism Assembly		x		1	
12	9J	*EA-10210A5					Case Assembly—Mechanism		x		1	
13	7	EA-10292-10					Case—Mechanism		x		1	
13	7A	EA-10235-8										

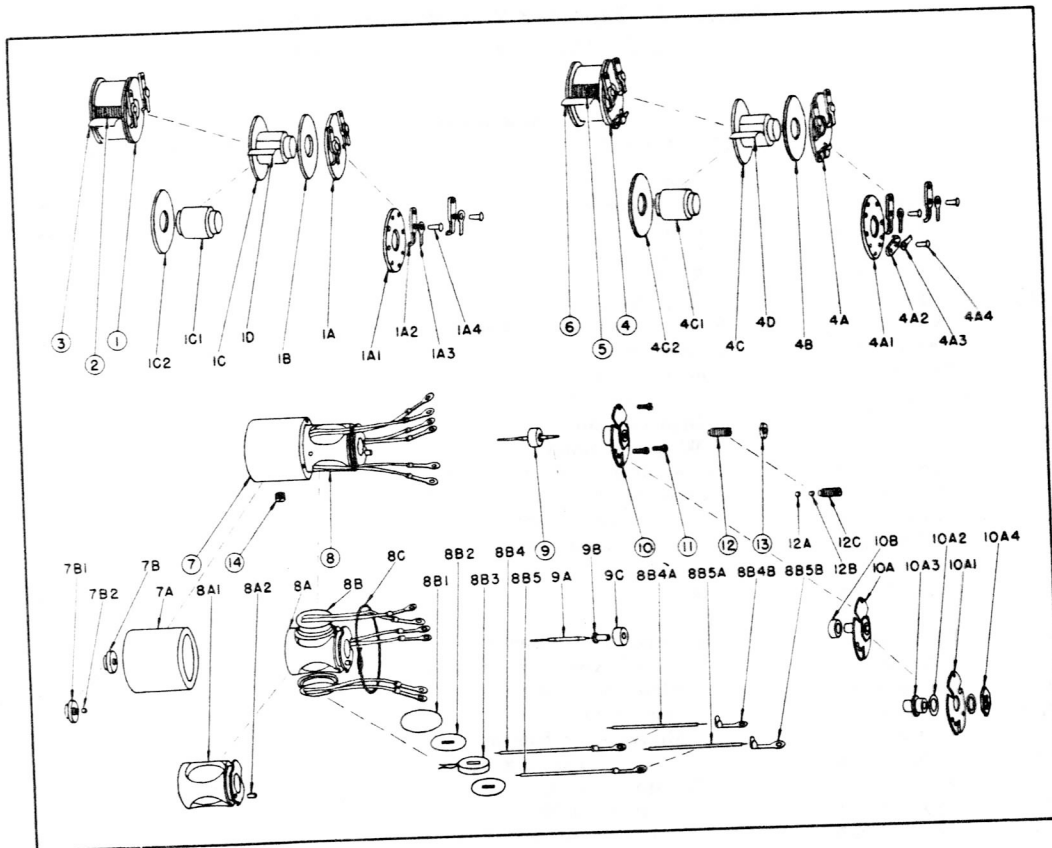


Figure 13—Exploded View of Mechanism and Resistors for EA-102-1, and -1F Indicators

Fig. No.	Index No.	Part No.	Nomenclature							EA-102-1	EA-102-1F	Units Per Assy
			1	2	3	4	5	6	7			
13	7B	EA-10269								x	x	1
13	7B1	EA-10287-1								x	x	1
13	7B2	EA-10271								x	x	1
13	8	EA-10293								x	x	1
13	8A	EA-10297								x	x	1
13	8A1	EA-10226								x	x	1
13	8A2	EA-10288								x	x	1
13	8B	EA-10295								x	x	3
13	8B1	EA-10259								x	x	1
13	8B2	EA-10227								x	x	2
13	8B3	EA-7913-44								x	x	1
13	8B4	EA-7954-1								x	x	1
13	8B4A	EA-7948-7								x	x	1
13	8B4B	EA-10267								x	x	1
13	8B5	EA-7954-2								x	x	1
13	8B5A	EA-7947-7								x	x	1
13	8B5B	EA-10267								x	x	1
13	8C	EA-7920								x	x	1
13	9	EA-10209B-1								x	x	1
13	9A	EA-10237								x	x	1
13	9B	EA-10249								x	x	1
13	9C	EA-10233A								x	x	1
13	10	EA-10220-1								x	x	1
13	10A	EA-10257								x	x	1
13	10A1	EA-10254-1								x	x	1
13	10A2	EA-10363								x	x	2
13	10A3	EA-10366								x	x	1
13	10A4	EA-10365								x	x	1
13	10B	EA-10368								x	x	1
13	11	AN501B0-2								x	x	3
13	12	EA-10394								x	x	1
13	12A	EA-10371								x	x	1
13	12B	EA-10370								x	x	1
13	2C	EA-10373								x	x	1
13	13	EA-10260								x	x	1
13	14	EA-10223								x	x	AR
13	14	EA-10223A								x	x	AR
12	9K	*EA-10825								x	x	2
12	9L	EA-10812								x	x	2
12	10	EA-10810B-7								x	x	1
12	10A	EA-10824-1								x	x	1
12	10B	EA-7936-1								x	x	1
12	10B1	AN3102-14S-1P								x	x	1
12	10B2	EA-7914-6								x	x	1
12	10B3	EA-7917-7								x	x	1
12	10B4	EA-7915-7								x	x	1
12	10C	70401-2								x	x	4
12	11	70558								x	x	4
12	12	EA-10285								x		1
12	13	NPA-102-1								x		1
12	13	NPB-102-1F									x	1
12	14	AN501B1-2								x	x	2

Section II
Group Assembly Parts List

EO 20-85BA-4

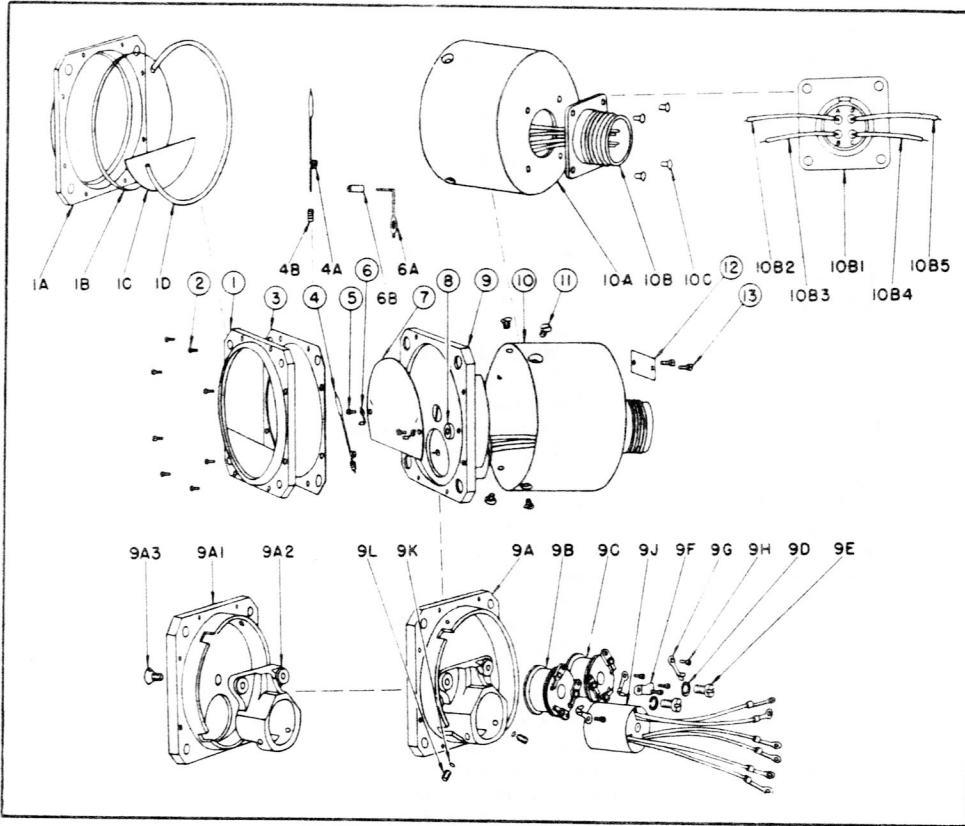


Figure 14—Exploded View of Main Assembly for EA-102-8 Indicator

Fig. No.	Index No.	Part No.	1	2	3	4	5	6	7	Nomenclature	EA-102-8	Units Per Assy
		EA-102								Indicator		1
14	1	EA-10891-1								Bezel Assembly		1
14	1A	EA-10836								Bezel		1
14	1B	*EA-1038								Glass		1
14	1C	EA-10283-1								Shield		1
14	1D	EA-10819								Ring—Snap		1
14	2	AN501B0-3								Screw, fil hd 0 80 x 3/16 in.		1
14	3	*EA-10844								Gasket—Bezel		8
14	4	*EA-10890-1Y								Pointer Assembly		1
14	4A	3992-1								Blank—Pointer		1
14	4B	EA-10146-1								Weight—Pointer		1
14	5	AN501B0-3								Screw, fil hd 0 80 x 3/16 in.		1
14	6	EA-12843-2								Stop Assembly—Pointer		2
14	6A	EA-12844-2								Holder—Pointer stop		2
14	6B	EA-12845								Sleeve—Pointer stop		1
14	7	EA-10205-8								Dial		1
14	8	EA-10216								Spacer		1
14	9	EA-10201C-7								Plate Assembly—Mounting		2
14	9A	EA-10202C-2								Plate Sub Assembly—Mounting		1
14	9A1	EA-10830-11								Plate—Mounting		1
14	9A2	EA-10811D-2								Bracket—Mechanism		1
14	9A3	AN505B6-4								Screw, FH 6 32 x 1/4 in.		1
14	9B	*EA-10080-15								Resistor Assembly		1
15	1	EA-10094-1								Spool Assembly		1
15	1A	EA-10096-1								Plate Assembly—Top		1
15	1A1	EA-10060								Head		1
15	1A2	EA-10063								Lug		1
15	1A3	EA-10267-1								Lug—Solder		3
15	1A4	EA-10064-1								Eyelet		3
15	1B	EA-10060								Head		3
15	1C	EA-10093								Hub Assembly		1
15	1C1	EA-10062								Hub		1
15	1C2	EA-10060								Head		1

RESCINDED

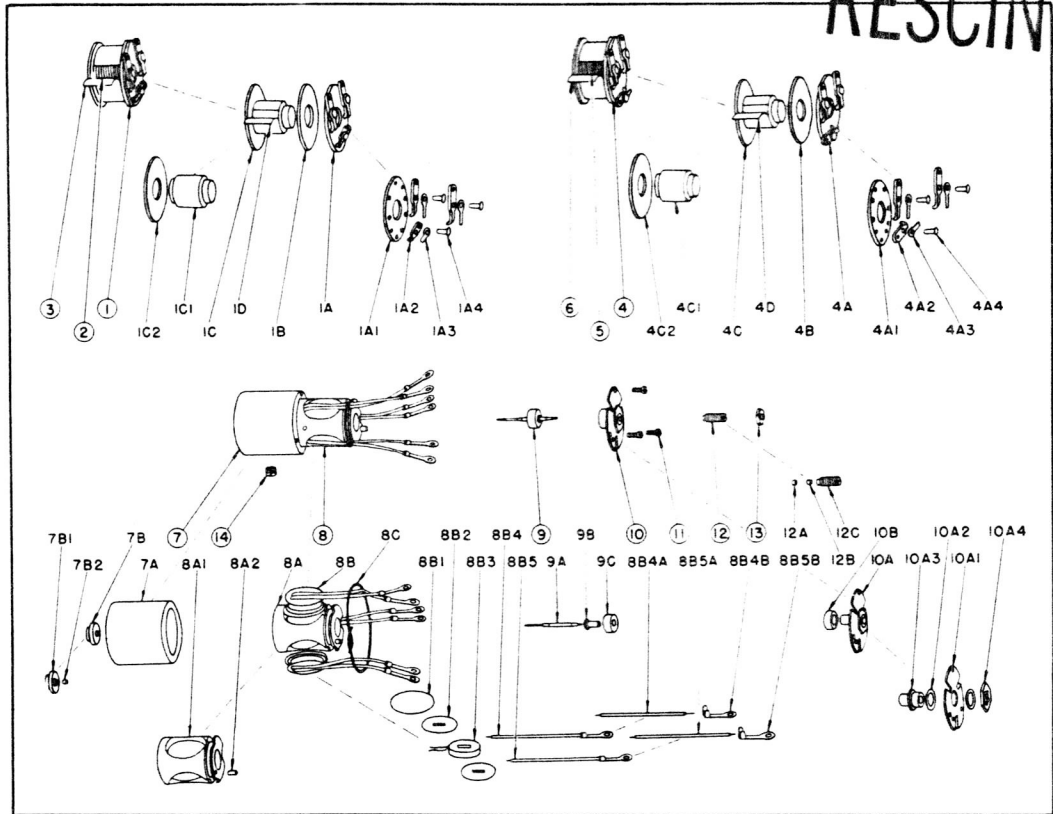


Figure 15—Exploded View of Mechanism and Resistors for EA-102-8 Indicator

Fig. No.	Index No.	Part No.	Nomenclature	EA-102-8	Units Per Assy
15	1D	EA-7928	1 Tape—Insulating		1
15	2	EA-7912-34	2 Wire—Nichrome		1
15	3	EA-7928	3 Tape—Insulating		1
14	9C	*EA-10080-20	4 Resistor Assembly		1
15	4	EA-10094-2	5 Spool Assembly		1
15	4A	EA-10096-2	6 Plate Assembly—Top		1
15	4A1	EA-10060	7 Head		1
15	4A2	EA-10063	8 Lug		3
15	4A3	EA-10267-1	9 Lug—Solder		3
15	4A4	EA-10064-1	10 Eyelet		3
15	4B	EA-10060	11 Head		1
15	4C	EA-10093	12 Hub Assembly		1
15	4C1	EA-10062	13 Hub		1
15	4C2	EA-10060	14 Head		1
15	4D	EA-7928	15 Tape—Insulating		1
15	5	EA-7912-26	16 Wire—Nichrome		1
15	6	EA-7928	17 Tape—Insulating		1
14	9D	EA-1562	18 Washer—Lock, No. 6		2
14	9E	AN500B6-4	19 Screw, fil hd 6 32 x 1/4 in.		2
14	9F	EA-7929	20 Lug—Solder		1
14	9G	EA-10267	21 Lug—Solder		3
14	9H	AN501B0-2	22 Screw, fil hd 0 80 x 1/8 in.		6
14	9J	*EA-10210A5	23 Mechanism Assembly		1
15	7	EA-10292-10	24 Case Assembly—Mechanism		1
15	7A	EA-10235-8	25 Case—Mechanism		1
15	7B	EA-10269	26 Holder Assembly—Jewel		1
15	7B1	EA-10287-1	27 Holder—Jewel		1
15	7B2	EA-10271	28 Jewel—Sapphire		1
15	8	EA-10293	29 Form Assembly—Coil		1
15	8A	EA-10297	30 Form Assembly—Pin and Coil		1
15	8A1	EA-10226	31 Form—Coil		1
15	8A2	EA-10288	32 Pin—Coil form		1

Section II
Group Assembly Parts List

EO 20-85BA-4

Fig. No.	Index No.	Part No.	Nomenclature							EA-102-8	Units Per Assy
			1	2	3	4	5	6	7		
15	8B	EA-10295									3
15	8B1	EA-10259									1
15	8B2	EA-10227									2
15	8B3	EA-7913-44									1
15	8B4	EA-7954-1									1
15	8B4A	EA-7948-7									1
15	8B4B	EA-10267									1
15	8B5	EA-7954-2									1
15	8B5A	EA-7947-7									1
15	8B5B	EA-10267									1
15	8C	EA-7920									1
15	9	EA-10209B-1									1
15	9A	EA-10237									1
15	9B	EA-10249									1
15	9C	EA-10233A									1
15	10	EA-10220-1									1
15	10A	EA-10257									1
15	10A1	EA-10366									1
15	10A2	EA-10363									2
15	10A3	EA-10254-1									1
15	10A4	EA-10365									1
15	10B	EA-10368									1
15	11	AN501B0-2									3
15	12	EA-10394									1
15	12A	EA-10371									1
15	12B	EA-10370									1
15	12C	EA-10373									1
15	13	EA-10260									1
15	14	EA-10223									AR
15	14	EA-10223A									AR
14	9K	*EA-10825									2
14	9L	EA-10812									2
14	10	EA-10810B-8									1
14	10A	EA-10824-1									1
14	10B	EA-7937-2									1
14	10B1	AN3102-14S-2P									1
14	10B2	EA-7918-7									1
14	10B3	EA-7917-6									1
14	10B4	EA-7914-6									1
14	10B5	EA-7915-7									1
14	10C	70401-2									4
14	11	70558									4
14	12	NPB-102-8									1
14	13	AN501B1-2									2



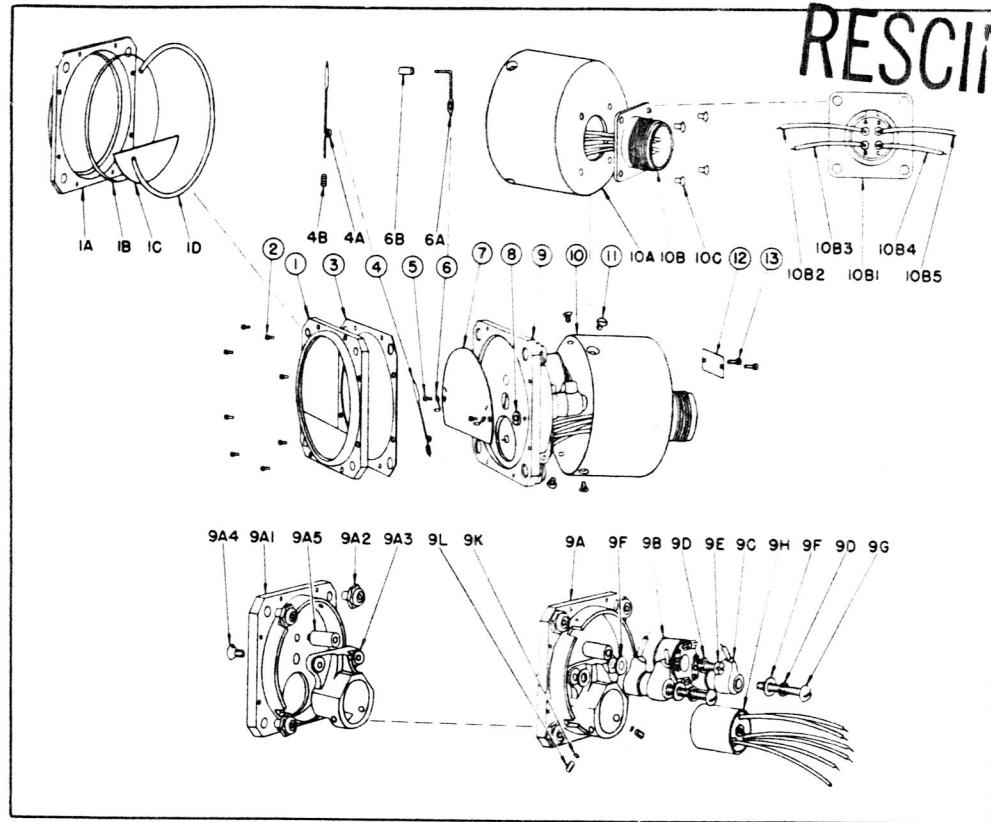


Figure 16—Exploded View of Main Assembly
for EA-102-10 Indicator

Fig. No.	Index No.	Part No.	Nomenclature	EA-102-10	Units Per Assy
			1 2 3 4 5 6 7		
		EA-102	Indicator		
16	1	EA-10891-1	Bezel Assembly		1
16	1A	EA-10836	Bezel		1
16	1B	*EA-10838	Glass		1
16	1C	EA-10283-1	Shield		1
16	1D	EA-10819	Ring—Snap		1
16	2	AN501B0-3	Screw, fil hd 0 80 x 3/16 in.		8
16	3	*EA-10844	Gasket—Bezel		1
16	4	*EA-10890-1L	Pointer Assembly		1
16	4A	3992-1	Blank—Pointer		1
16	4B	EA-10146-1	Weight—Pointer		1
16	5	AN501B0-3	Screw, fil hd 0 80 x 3/16 in.		2
16	6	EA-12843-2	Stop Assembly—Pointer		2
16	6A	EA-12844-2	Holder—Pointer stop		1
16	6B	EA-12845	Sleeve—Pointer stop		1
16	7	EA-10205-10	Dial		1
16	8	EA-10216	Spacer		2
16	9	EA-10201D-8	Plate Assembly—Mounting		1
16	9A	EA-10202C-3	Plate Sub Assembly—Mounting		1
16	9A1	EA-10830-17	Plate—Mounting		1
16	9A2	EA-10040	Nut—Stop		4
16	9A3	EA-10811D-2	Bracket—Mechanism		1
16	9A4	AN505B6-4	Screw, FH 6 32 x 1/4 in.		1
16	9A5	EA-10017-1	Post—Spacing		1
16	9B	EA-10084-26	Resistor Assembly		1
17	1	EA-10018-4	Spool Assembly		1
17	1A	EA-10019-4	Plate Assembly—Top		1
17	1A1	EA-10060	Head		1
17	1A2	EA-10067	Lug—Terminal		4
17	1A3	EA-10064	Eyelet		4
17	1B	EA-10060	Head		1

Section II
Group Assembly Parts List

EO 20-85BA-4

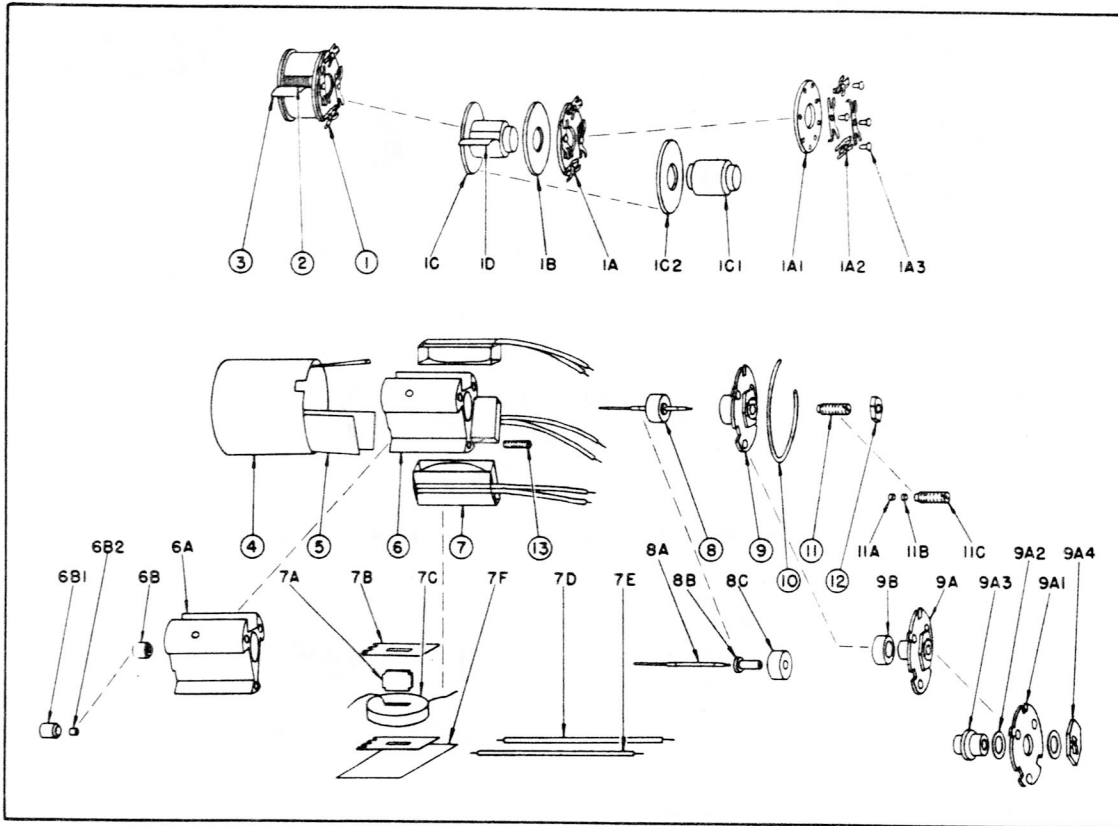


Figure 17—Exploded View of Mechanism and Resistors for EA-102-10 Indicator

Fig. No.	Index No.	Part No.	Nomenclature	EA-102-10	Units Per Assy
17	1C	EA-10093	Hub Assembly		1
17	1C1	EA-10062	Hub		1
17	1C2	EA-10060	Head		1
17	1D	EA-7928	Tape—Insulating		1
17	2	EA-7912-34	Wire—Nichrome		1
17	3	EA-7928	Tape—Insulating		1
16	9C	EA-10214-5	Resistor		2
16	9D	EA-1562	Washer—Lock No. 6		3
16	9E	AN500B6-4	Screw, fil hd 6 32 x 1/4 in.		1
16	9F	70366	Washer		4
16	9G	AN515B6-18	Screw, RH 6 32 x 1 1/8 in.		2
16	9H	*EA-10210A-6	Mechanism Assembly		1
17	4	EA-10289	Shell		1
17	5	EA-10374	Cup—Insulating		1
17	6	EA-10390	Form Assembly—Coil		1
17	6A	EA-10360	Form—Coil		1
17	6B	EA-10395	Bearing Assembly		1
17	6B1	EA-10372	Holder—Bearing		1
17	6B2	EA-10371	Bearing—Ring jewel		1
17	7	EA-10391	Winding Assembly—Coil		3
17	7A	EA-10361	Core—Coil		1
17	7B	EA-0362	End—Coil		2
17	7C	EA-7913-42	Wire—Copper		1
17	7D	EA-7947-11	Wire—Red connection		1
17	7E	EA-7948-11	Wire—White connection		1
17	7F	EA-10380	Insulation—Coil form		1
17	8	EA-10209B-5	Rotor Assembly		1
17	8A	EA-10237	Shaft—Rotor		1
17	8B	EA-10249	Bushing—Rotor		1
17	8C	EA-10233A	Magnet—Rotor		1

Fig. No.	Index No.	Part No.	Nomenclature	EA-102-10	Units Per Assy
17	9	EA-10393	Magnet Assembly—Return		1
17	9A	EA-10392	Plate Assembly—Back		1
17	9A1	EA-10364	Plate—Back		1
17	9A2	EA-10363	Washer—Friction		2
17	9A3	EA-10366	Regulator		1
17	9A4	EA-10365	Adjustment—Return		1
17	9B	EA-10368	Magnet—Return		1
17	10	EA-10367	Ring—Snap		1
17	11	EA-10394	Bearing Assembly—Rear		1
17	11A	EA-10371	Bearing—Ring jewel		1
17	11B	EA-10370	Bearing—End jewel		1
17	11C	EA-30173	Holder—Jewel, rear		1
17	12	EA-10260	Nut—Lock		1
17	13	EA-10229	Screw—Adjusting		1
16	9K	*EA-10825	Insert		2
16	9L	EA-10812	Screw—Set		2
16	10	EA-10810B-8	Case Assembly		1
16	10A	EA-10824-1	Case		1
16	10B	EA-7937-2	Receptacle Assembly		1
16	10B1	AN3102-14S-2P	Receptacle		1
16	10B2	EA-7918-7	Wire—Black connection		1
16	10B3	EA-7916-6	Wire—Green connection		1
16	10B4	EA-7914-6	Wire—Blue connection		1
16	10B5	EA-7915-7	Wire—Red connection		1
16	10C	70401-2	Rivet		4
16	11	70558	Screw, FH 3 56 x 5/32 in.		4
16	12	NPB-102-10	Plate—Name		1
16	13	AN501B1-2	Screw, fil hd 1 72 x 1/8 in.		2

RESCINDED

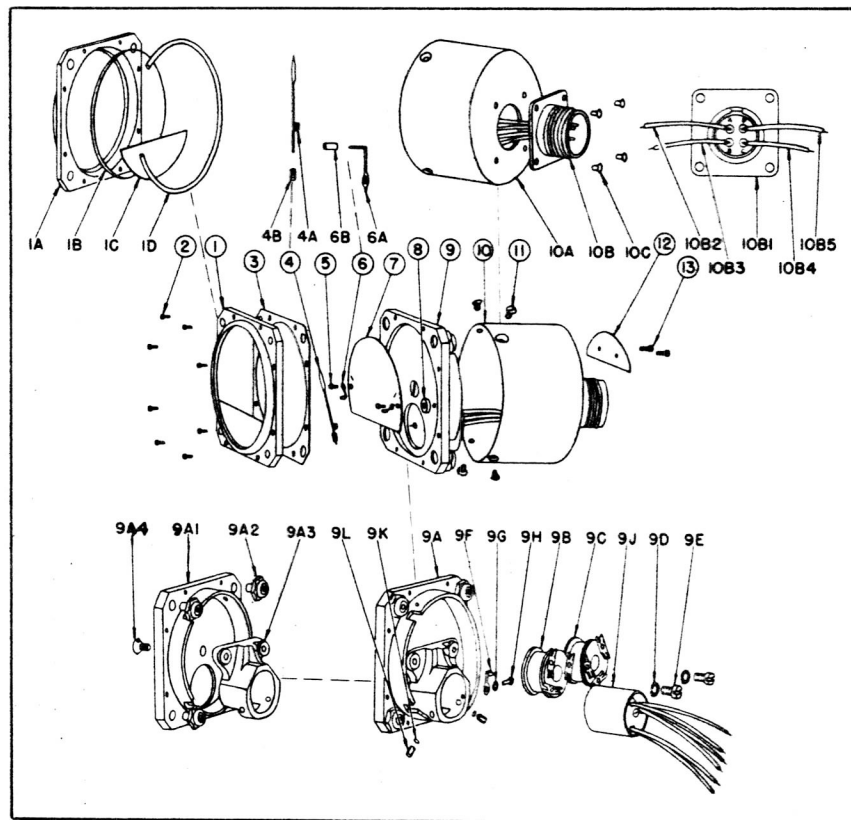


Figure 18—Exploded View of Main Assembly for EA-102-11 Indicator

Section II
Group Assembly Parts List

EO 20-85BA-4

Fig. No.	Index No.	Part No.	1	2	3	4	5	6	7	Nomenclature	EA-102-11	Units Per Assy
		EA-102								Indicator		
18	1	EA-10891-1								Bezel Assembly		1
18	1A	EA-10836								Bezel		1
18	1B	*EA-10838								Glass		1
18	1C	EA10283-1								Shield		1
18	1D	EA-10819								Ring-Snap		1
18	2	AN501-BO-3								Screw, fil hd 0 80 x 3/16 in.		1
18	3	*EA-10844								Gasket-Bezel		8
18	4	*EA-10890-1Y								Pointer-Assembly		1
18	4A	3992-1								Blank-Pointer		1
18	4B	EA-10146-1								Weight-Pointer		1
18	5	AN501BO-3								Screw, fil hd 0 80 x 3/16.		1
18	6	EA12843-2								Stop Assembly		2
18	6A	EA-12844-2								Holder-Pointer stop		2
18	6B	EA-12845								Sleeve-Pointer stop		1
18	7	EA-1025-11								Dial		1
18	8	EA-10216								Spacer		1
18	9	EA-10201D-6								Plate Assembly-Mounting		2
18	9A	EA-10202C-1								Plate Sub Assembly-Mounting		1
18	9A1	EA-10830-11								Plate-Mounting		1
18	9A2	EA-10040								Nut-Stop		1
18	9A3	EA-10811D-2								Bracket-Mechanism		4
18	9A4	AN505B6-4								Screw, FH 6 32 x 1/4 in.		1
18	9B	*EA-10084-15								Resistor Assembly		1
19	1	EA-10018-1								Spool Assembly		1
19	1A	EA-10019-1								Plate Assembly-Top		1
19	1A1	EA10060								Head		1
19	1A2	EA-10067								Lug-Terminal		1
19	1A3	EA-10064								Eyelet		3
19	1B	EA-10060								Head		3
19	1C	EA-10093								Hub Assembly		1

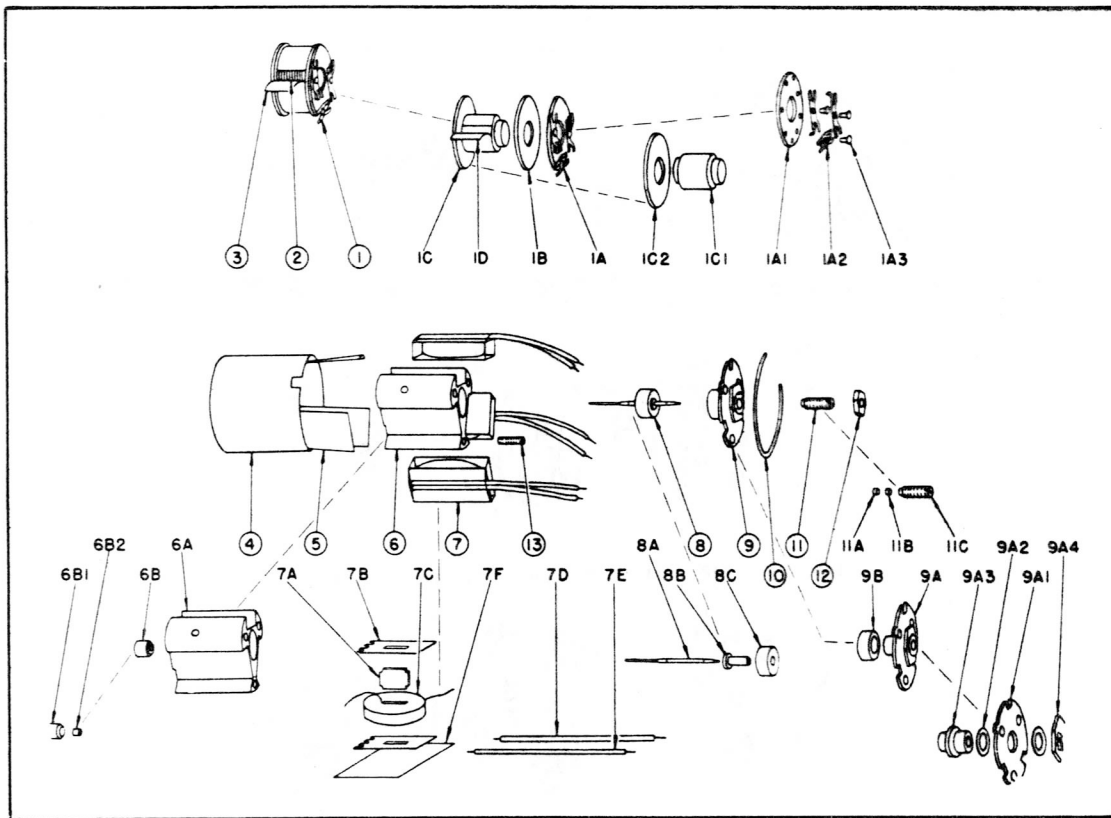


Figure 19—Exploded View of Mechanism and Resistor for EA-102-11 Indicator

Fig. No.	Index No.	Part No.	Nomenclature							EA-102-19	EA-102-27	EA-102-29	Units Per Assy
			1	2	3	4	5	6	7				
18			INDICATOR										
18	7	EA-10205-19								x			1
18	7	EA-10205-27									x		1
18	7	EA-10205-29										x	1
18	9	EA-10201D-9								x	x		1
18	9A	EA-10202C-2								x	x		1
18	9	EA-10201D-6										x	1
18	9B	*EA-10084-21								x	x	x	1
18	9C	*EA-10084-15								x	x	x	1
18	12	NPB-102-19								x			1
18	12	NPB-102-19									x		1
18	12	NPF-102-29										x	1

ALL OTHER PARTS TO COMPLETE
INDICATOR FOUND ON FIGURE 18

RESCINDED

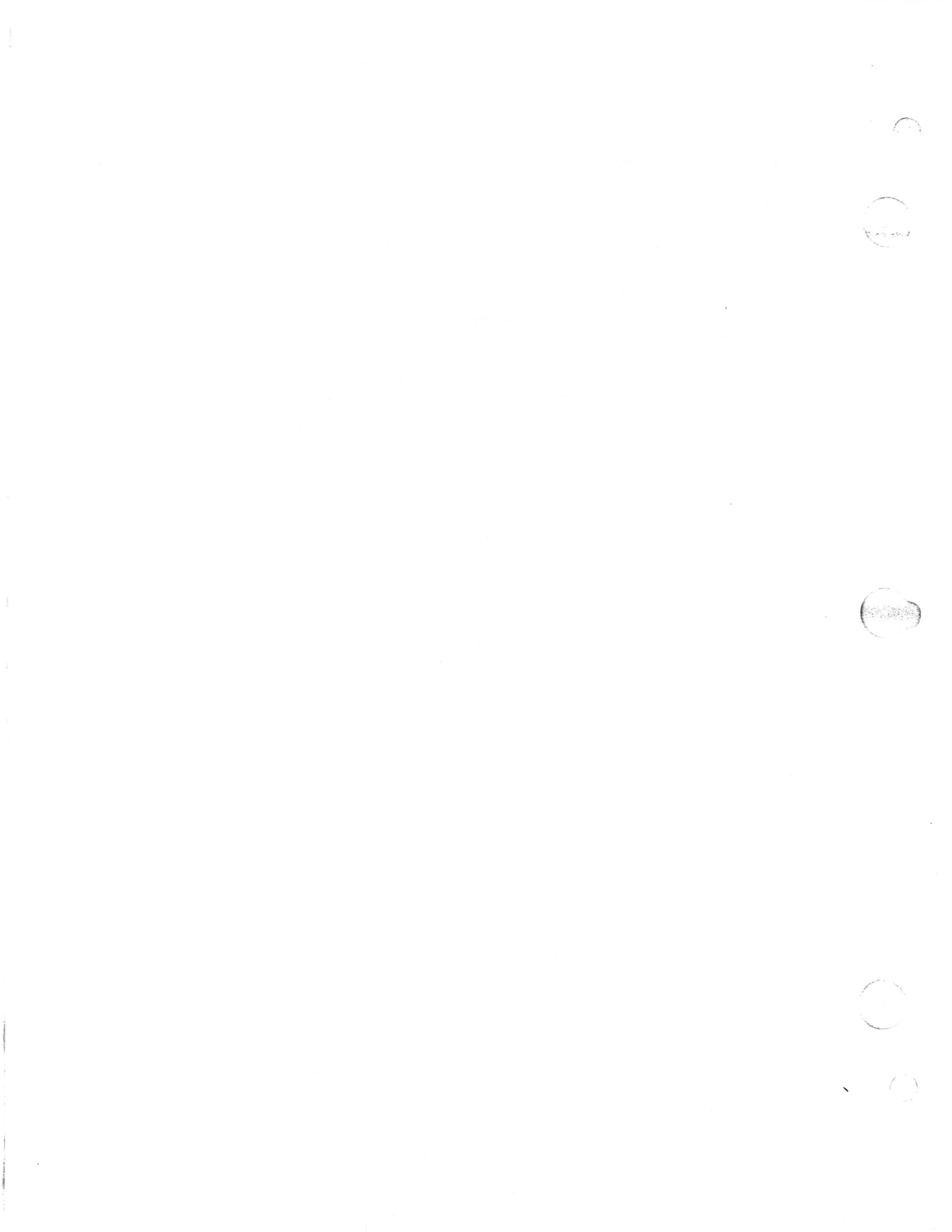


Fig. No.	Index No.	Part No.	1	2	3	4	5	6	7	Nomenclature	EA-102-11	Units Per Assy
19	1C1	EA-10062								Hub		1
19	1C2	EA-10060								Head		1
19	1D	EA-7928								Tape—Insulating		1
19	2	EA-7912-34								Wire—Nichrome		1
19	3	EA-7928								Tape—Insulating		1
18	9C	EA-10084-21								Resistor Assembly		1
19	1	EA-10018-2								Spool Assembly		1
19	1A	EA-1009-2								Plate Assembly—Top		1
19	1A1	EA-10060								Head		1
19	1A2	EA-10067								Lug—Terminal		3
19	1A3	EA-10064								Eyelet		3
19	1B	EA-10060								Head		1
19	1C	EA-10093								Hub Assembly		1
19	1C1	EA-10062								Hub		1
19	1C2	EA-10060								Head		1
19	1D	EA-7928								Tape—Insulating		1
19	2	EA-7912-30								Wire—Nichrome		1
19	3	EA-7928								Tape—Insulating		1
18	9D	EA-1562								Washer—Lock No. 6		2
18	9E	AN500B6-4								Screw, fil hd 6 32 x 1/4 in.		2
18	9F	EA-10267								Lug—Solder		1
18	9G	EA-12867								Washer—Lock		1
18	9H	AN515B2-2								Screw, RH 2 56 x 1/8 in.		1
18	9J	*EA-10210A-6								Mechanism Assembly		1
19	4	EA-10289								Shell		1
19	5	EA-10374								Cup—Insulating		1
19	6	EA-10390								Form Assembly—Coil		1
19	6A	EA-10360								Form—Coil		1
19	6B	10395								Bearing Assembly		1
19	6B1	EA-10372								Holder—Jewel		1
19	6B2	EA-10371								Jewel—Sapphire		1
19	7	EA-10391								Winding Assembly—Coil		3
19	7A	EA-10361								Core—Coil		1
19	7B	EA-10362								End—Coil		2
19	7C	EA-7913-42								Wire—Copper		1
19	7D	EA-7947-11								Wire—Red connection		1
19	7E	EA-7948-11								Wire—White connection		1
19	7F	EA-10380								Insulation—Coil form		1
19	8	EA-10209B-5								Rotor Assembly		1
19	8A	EA-10237								Shaft—Rotor		1
19	8B	EA-10249								Bushing—Rotor		1
19	8C	EA-10233A								Magnet—Rotor		1
19	9	EA-10393								Magnet Assembly—Return		1
19	9A	EA-10392								Plate Assembly—Back		1
19	9A1	EA-10364								Plate—Back		1
19	9A2	EA-10363								Washer—Friction		2
19	9A3	EA-10366								Regulator		1
19	9A4	EA-10365								Adjustment—Return		1
19	9B	EA-10368								Magnet—Return		1
19	10	EA-10367								Ring—Snap		1
19	11	EA-10394								Bearing Assembly—Rear		1
19	11A	EA-10371								Bearing—Ring jewel		1
19	11B	EA-10370								Bearing—End Jewel		1
19	11C	EA-10373								Holder—Jewel, rear		1
19	12	EA-10260								Nut—Lock		1
19	13	EA-10229								Screw—Adjusting		AR
18	9K	*EA-10825								Insert		2
18	9L	EA-10812								Screw—Set		2
18	10	EA-10810B-8								Case Assembly		1
18	10A	EA-10824-1								Case		1
18	10B	EA-7937-2								Receptacle Assembly		1
18	10B1	AN3102-14S-2P								Receptacle		1
18	10B2	EA-7918-7								Wire—Black connection		1
18	10B3	EA-7917-6								Wire—Green connection		1
18	10B4	EA-7914-6								Wire—Blue connection		1
18	10B5	EA-7915-7								Wire—Red connection		1
18	10C	70401-2								Rivet		4
18	11	70558								Screw, FH 3 56 x 5/32 in.		4
18	12	NPB-102-11								Plate—Name		1
18	13	AN501B1-2								Screw, fil hd 1 72 x 1/8 in.		2

RESCINDED

Section II
Group Assembly Parts List

EO 20-85BA-4

Fig. No.	Index No.	Part No.	Nomenclature	EA-102-13	Units Per Assy
			1 2 3 4 5 6 7		
		EA-102	Indicator		1
20	1	EA-10891-1	Bezel Assembly		1
20	1A	EA-10836	Bezel		1
20	1B	*EA-10838	Glass		1
20	1C	EA-10283-1	Shield		1
20	1D	EA-10819	Ring—Snap		1
20	2	AN-501B0-3	Screw, fil hd 0 80 x 3/16 in.		8
20	3	*EA-10844	Gasket—Bezel		1
20	4	*EA-10890-1Y	Pointer Assembly		1
20	4A	3992-1	Blank—Pointer		1
20	4B	EA-10146-1	Weight—Pointer		1
20	5	AN501B0-3	Screw, fil hd 0 80 x 3/16 in.		2
20	6	EA-12843-2	Stop Assembly—Pointer		2
20	6A	EA-12844-2	Holder—Pointer stop		1
20	6B	EA-12845	Sleeve—Pointer stop		1
20	7	EA-10205-13	Dial		1
20	8	EA-10216	Spacer		2
20	9	EA-10201D-1	Plate Sub Assembly—Mounting		1
20	9A	EA-10202C-1	Plate Assembly—Mounting		1
20	9A1	EA-10830-11	Plate—Mounting		1
20	9A2	EA-10040	Nut—Stop		4
20	9A3	EA-10811D-2	Bracket—Mechanism		1
20	9A4	AN505B6-4	Screw, FH 6 32 x 1/4 in.		1
20	9B	*EA-10084-5	Resistor Assembly		1
21	1	EA-10018-A	Spool Assembly		1
21	1A	EA-10019-3	Plate Assembly—Top		1
21	1A1	EA-10060	Head		1
21	1A2	EA-10067	Lug—Terminal		2
21	1A3	EA-10064	Eyelet		2
21	1B	EA-10060	Head		1

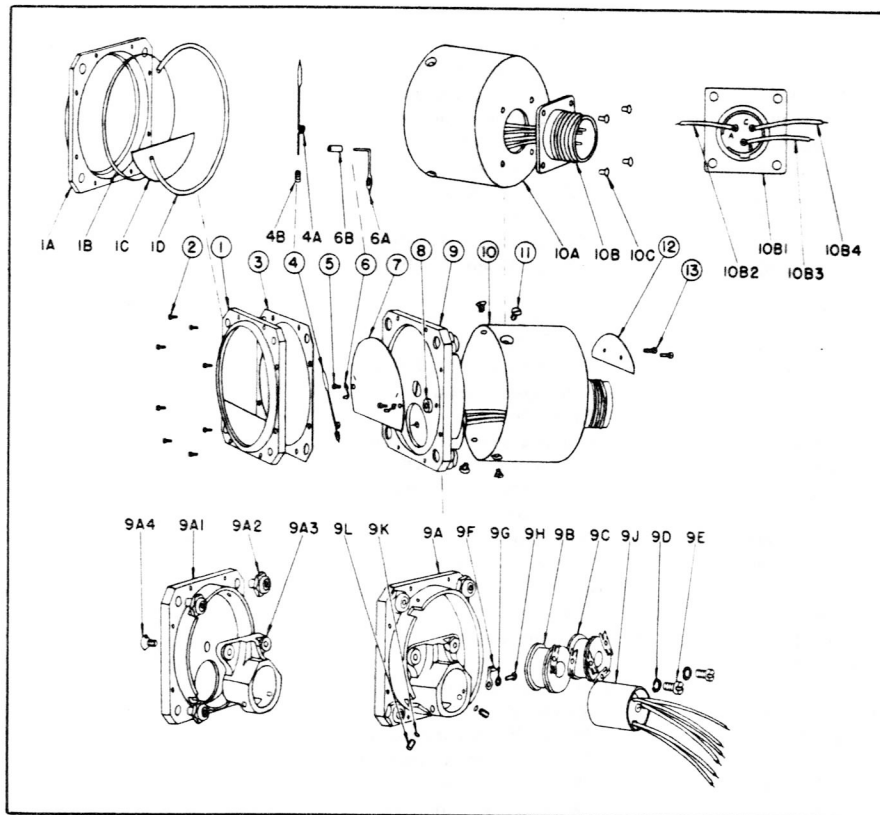


Figure 20—Exploded View of Main Assembly
for EA-102-13 Indicator

Fig. No.	Index No.	Part No.	Nomenclature							Units Per Assy	
			1	2	3	4	5	6	7		
20		EA-102-16	INDICATOR								
20	7	EA-10205-16	Dial								1
20	9	EA-10201D-1	Plate Assembly--Mounting								1
20	10	EA-10810B-7	Case Assembly								1
20	10B	EA-7936-1	Receptacle Assembly								1
20	10B1	AN3102-14S-1P	Receptacle								1
20	12	NP-B102-16	Nameplate								1

RESCINDED

ALL OTHER PARTS TO COMPLETE
INDICATOR FOUND ON FIGURE 20

Section II
Group Assembly Parts List

EO 20-85BA-4

Fig. No.	Index No.	Part No.	Nomenclature							EA-102AN-16	EA-102AN-52	Units Per Assy
			1	2	3	4	5	6	7			
62A	1	AN510B-3										
62A	2	EA-19009-1										
62A	2A	EA-19054-1										
62A	2B	EA-19062										
62A	2C	EA-19061										
62A	2D	EA-10040-1										
62A	3	EA-19032										
62A	4	EA-108901F										
62A	5	EA-10205AN-16										
62A	5	EA-10205AN-52										
62A	6	EA-47092										
62A	7	NPAA-102AN-16										
62A	7	NPAD-102AN-16										
62A	8	NPAA-102AN-52										
62A	8	NPAC-102AN-52										
62A	9	AN515B2-3										
62A	10	EA-10201AN-1										
62A	11	EA-7960										
62A	12	EA-19071										
62A	13	EA-19003-2										
62A	13A	EA-19058										
62A	13B	EA-19059										
62A	13C	AN515B6-5										
62A	13D	AN935B6										
62A	13E	EA-15016										
62A	13F	EA-15011										
62A	13G	AN500B6-7										
62A	13H	AN935B6										
62A	13J	EA-47012										
62A	14	EA-10210A6										
62A	15	EA-10210B7										
62A	16	AN505B6-9										
62A	17	EA-10202AN-1										
62A	18	EA-19052-2										
62A	19	EA-7936-10										
62A	20	AN500B4-5										
62A	21	AN935B4										
62A	22	EA-10084-5										
62A	22A	EA-10084-15										
62A	23	EA-10079-6										
62A	24	AN500B6-5										
62A	25	AN935B6										
62A	26	EA-1632										
62A	27	EA-4551										

Fig. No.	Index No.	Part No.	Nomenclature	EA-102-13	Units Per Assy
			1 2 3 4 5 6 7		
21	1C	EA-10093	Hub Assembly		1
21	1C1	EA-10062	Hub		1
21	1C2	EA-10060	Head		1
21	1D	EA-7928	Tape—Insulating		1
21	2	EA-7912-30	Wire—Nichrome		1
21	3	EA-7928	Tape—Insulating		1
20	9C	*EA-10084-15	Resistor Assembly		1
21	4	EA-10018-1	Spool Assembly		1
21	4A	EA-10019-1	Plate Assembly—Top		1
21	4A1	EA-10060	Head		1
21	4A2	EA-10067	Lug—Terminal		3
21	4A3	EA-10064	Eyelet		3
21	4B	EA-10060	Head		1
21	4C	EA-10093	Hub Assembly		1
21	4C1	EA-10062	Hub		1
21	4C2	EA-10060	Head		1
21	4D	EA-7928	Tape—Insulating		1
21	5	EA-7912-34	Wire—Nichrome		1
21	6	EA-7928	Tape—Insulating		1
20	9D	EA-1562	Washer—Lock, No. 6		2
20	9E	AN500B6-4	Screw, fil hd 6 32 x 1/4 in.		2
20	9F	EA-10267	Lug—Solder		1
20	9G	EA-12867	Washer—Lock		1
20	9H	AN515B2-2	Screw, RH, 2 56 x 1/8 in.		1
20	9J	*EA10210A6	Mechanism Assembly		1
21	7	EA-10289	Shell		1
21	8	EA-10374	Cup—Insulating		1
21	9	EA-10390	Form Assembly—Coil		1
21	9A	EA-10360	Form—Coil		1

RESCINDED

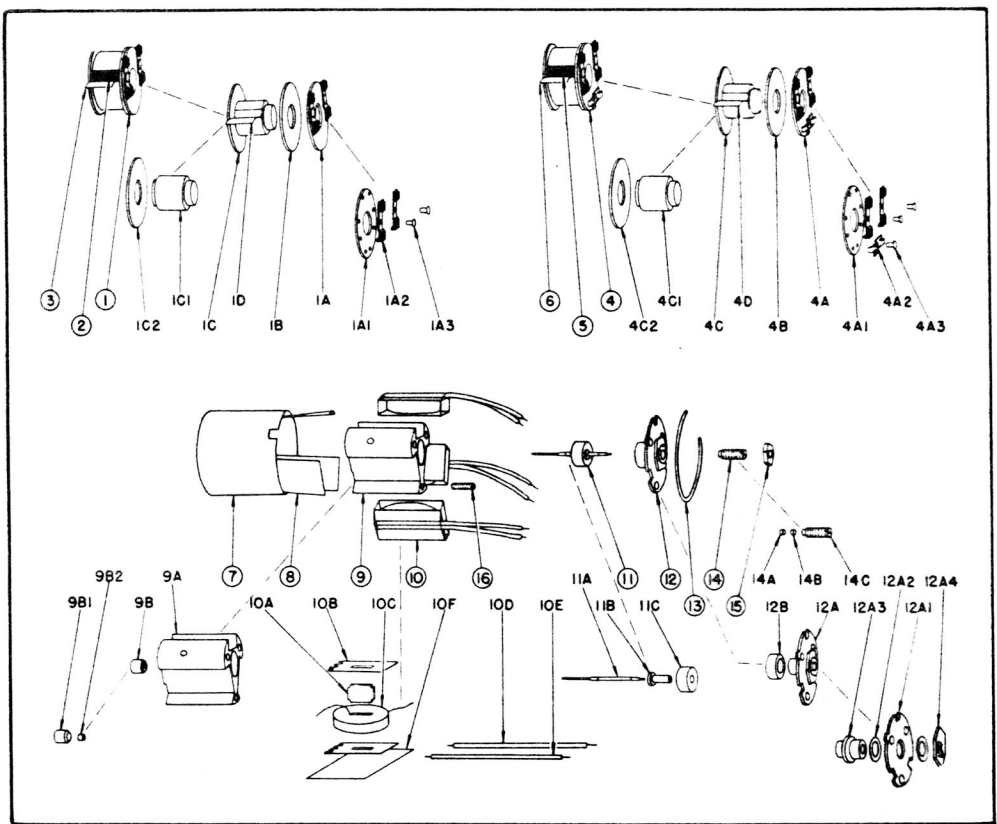


Figure 21—Exploded View of Mechanism and Resistors for EA-102-13 Indicator

Section II
Group Assembly Parts List

EO 20-85BA-4

Fig. No.	Index No.	Part No.	Nomenclature	EA-102-13	Units Per Assy
			1 2 3 4 5 6 7		
21	9B	EA-10395	Bearing Assembly		1
21	9B1	EA-10372	Holder—Jewel		1
21	9B2	EA-10371	Jewel—Sapphire		1
21	10	EA-10391	Winding Assembly—Coil		3
21	10A	EA-10361	Core—Coil		1
21	10B	EA-10362	End—Coil		2
21	10C	EA-7913-42	Wire—Copper		1
21	10D	EA-7947-11	Wire—Red connection		1
21	10E	EA-7948-11	Wire—White connection		1
21	10F	10380	Insulation—Coil form		1
21	11	EA-10209B5	Rotor Assembly		1
21	11A	EA-10237	Shaft—Rotor		1
21	11B	EA-10249	Bushing—Rotor		1
21	11C	EA-10233A	Magnet—Rotor		1
21	12	EA-10393	Magnet Assembly—Return		1
21	12A	EA-10392	Plate Assembly—Back		1
21	12A1	EA-10364	Plate—Back		1
21	12A2	EA-10363	Washer—Friction		2
21	12A3	EA-10366	Regulator		1
21	12A4	EA-10365	Adjustment—Return		1
21	12B	EA-10368	Magnet—Return		1
21	13	EA-10367	Ring—Snap		1
21	14	EA-10394	Bearing Assembly—Rear		1
21	14A	EA-10371	Bearing—Ring Jewel		1
21	14B	EA-10370	Bearing—End Jewel		1
21	14C	EA-10373	Holder—Jewel, rear		1
21	15	EA-10260	Nut—Lock		1
21	16	EA-10229	Screw—Adjusting		AR
20	9K	*EA-10825	Insert		2
20	9L	EA-10812	Screw—Set		2
20	10	EA-10810-B7	Case Assembly		1
20	10A	EA-10824-1	Case		1
20	10B	EA-7936-1	Receptacle Assembly		1
20	10B1	AN3102-14S-1P	Receptacle		1
20	10B2	EA-7914-6	Wire—Blue connection		1
20	10B3	EA-7917-7	Wire—Green connection		1
20	10B4	EA-7915-7	Wire—Red connection		1
20	10C	70401-2	Rivet		4
20	11	70558	Screw, FH 3 56 x 5/ 32 in.		4
20	12	NPB-102-13	Plate—Name		1
20	13	AN501B1-2	Screw, fil hd 1 72 x 1/8 in.		2

Fig. No.	Index No.	Part No.	Nomenclature	EA-104-5	EA-104-8	EA-104-9	Units Per Assy
			1 2 3 4 5 6 7				
		EA-104	Indicator				
22	1	EA-10191	Bezel Assembly	x	x	x	1
22	1A	EA-10136	Bezel	x	x	x	1
22	1B	*10138	Glass	x	x	x	1
22	1C	EA-10119	Ring—Snap	x	x	x	1
22	2	EA-10166	Screw	x	x	x	8
22	3	*EA10443	Gasket—Bezel	x	x	x	1
22	4	*EA10890-7L	Pointer Assembly	x	x	x	2
22	4A	3992-7	Blank—Pointer	x	x	x	1
22	4B	EA-10146-7	Weight—Pointer	x	x	x	1
22	5	EA-12843-2	Stop Assembly—Pointer	x	x	x	2
22	5A	EA-12844-2	Holder—Pointer stop	x	x	x	1
22	5B	EA-128455	Sleeve—Pointer stop	x	x	x	1
22	6	EA-12843-1	Stop Assembly—Pointer	x	x	x	1
22	6A	EA-12844-1	Holder—Pointer stop	x	x	x	1
22	6B	EA-12845	Sleeve—Pointer stop	x	x	x	1
22	7	AN-501B0-2	Screw, fil hd 0 80 x 1/8 in.	x	x	x	4
22	8	EA-10405-1	Dial	x	x		1
22	8	EA-10405-9	Dial				1
22	9	EA-10401C-1	Plate Assembly—Mounting	x		x	1
22	9	EA-10401C-2	Plate Assembly—Mounting		x		1

RESCINDED

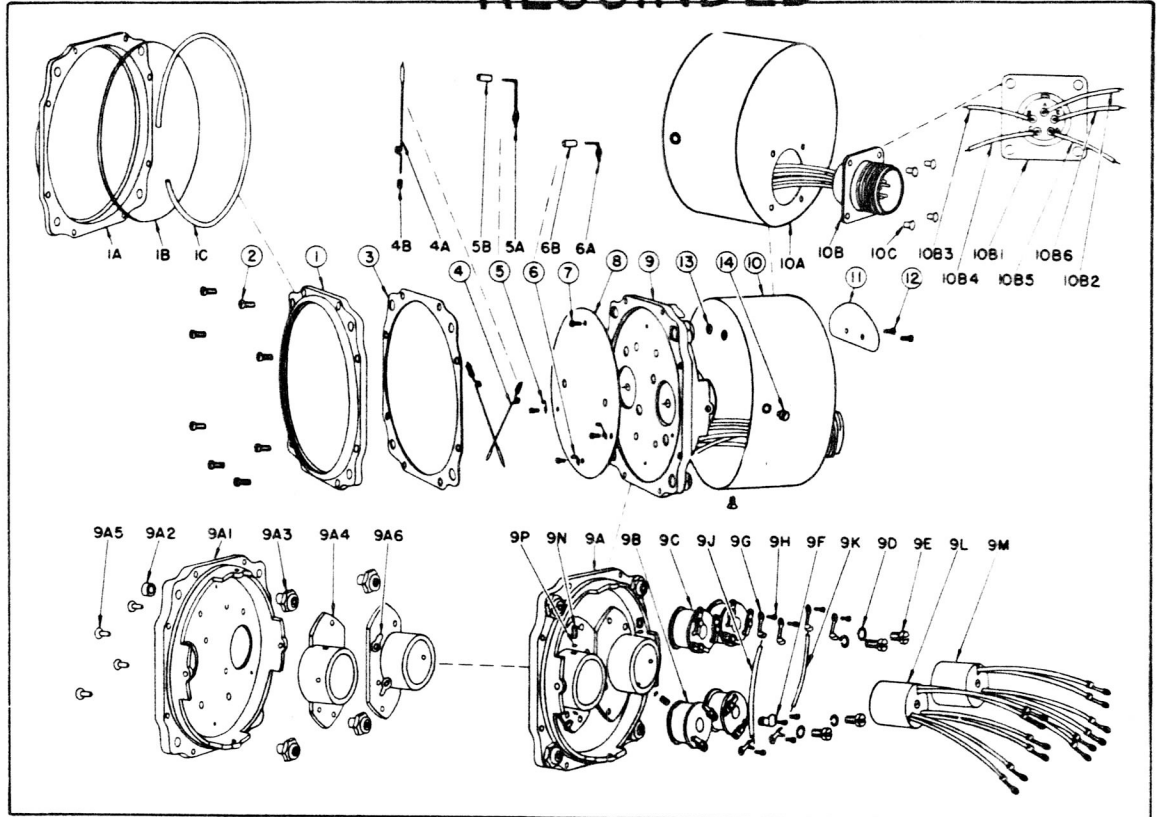


Figure 22—Exploded View of Main Assembly
for EA-104-5, -8 and -9 Indicators

Fig. No.	Index No.	Part No.	Nomenclature	EA-104-5	EA-104-8	EA-104-9	Units Per Assy
22	9A	EA-10402C	1 2 3 4 5 6 7 Plate Sub Assembly—Mounting	x		x	1
22	9A	EA-10402C-1	Plate Sub Assembly—Mounting				1
22	9A1	EA-10115A-11	Plate—Mounting	x	x	x	1
22	9A2	EA-10416	Insert	x			1
22	9A3	EA-10040	Nut—Stop	x		x	4
22	9A4	EA-10075-3	Adapter—Mechanism	x	x	x	2
22	9A5	70400-1	Rivet	x	x	x	4
22	9A6	EA-1225	Terminal	x	x	x	2
22	9B	*EA-10080-5	Resistor Assembly	x			2
22	9B	*EA-10080-12	Resistor Assembly		x		2
23	1	EA-10094-3	Spool Assembly	x	x	x	1
23	1A	EA-10096-3	Plate Assembly—Top	x	x	x	1
23	1A1	EA-10060	Head	x	x	x	1
23	1A2	EA-10063	Lug	x	x	x	2
23	1A3	EA-10267-1	Lug—Solder	x	x	x	2
23	1A4	EA-10064-1	Eyelet	x	x	x	2
23	1B	EA-10060	Head	x	x	x	1
23	1C	EA-10093	Hub Assembly	x	x	x	1
23	1C1	EA-10062	Hub	x	x	x	1
23	1C2	EA-10060	Head	x	x	x	1
23	1D	EA-7928	Tape—Insulating	x	x	x	1
23	2	EA-7912-30	Wire—Nichrome	x			1
23	2	EA-7912-26	Wire—Nichrome		x		1
23	3	EA-7928	Tape—Insulating	x	x	x	1
22	9C	*EA-10080-15	Resistor Assembly	x	x	x	2
23	4	EA-10094-1	Spool Assembly	x	x	x	1
23	4A	EA-10096-1	Plate Assembly—Top	x	x	x	1
23	4A1	EA-10060	Head	x	x	x	1
23	4A2	EA-10063	Lug	x	x	x	3
23	4A3	EA-10267-1	Lug—Solder	x	x	x	3
23	4A4	EA-10064-1	Eyelet	x	x	x	3
23	4B	EA-10060	Head	x	x	x	1

Section II
Group Assembly Parts List

EO 20-85BA-4

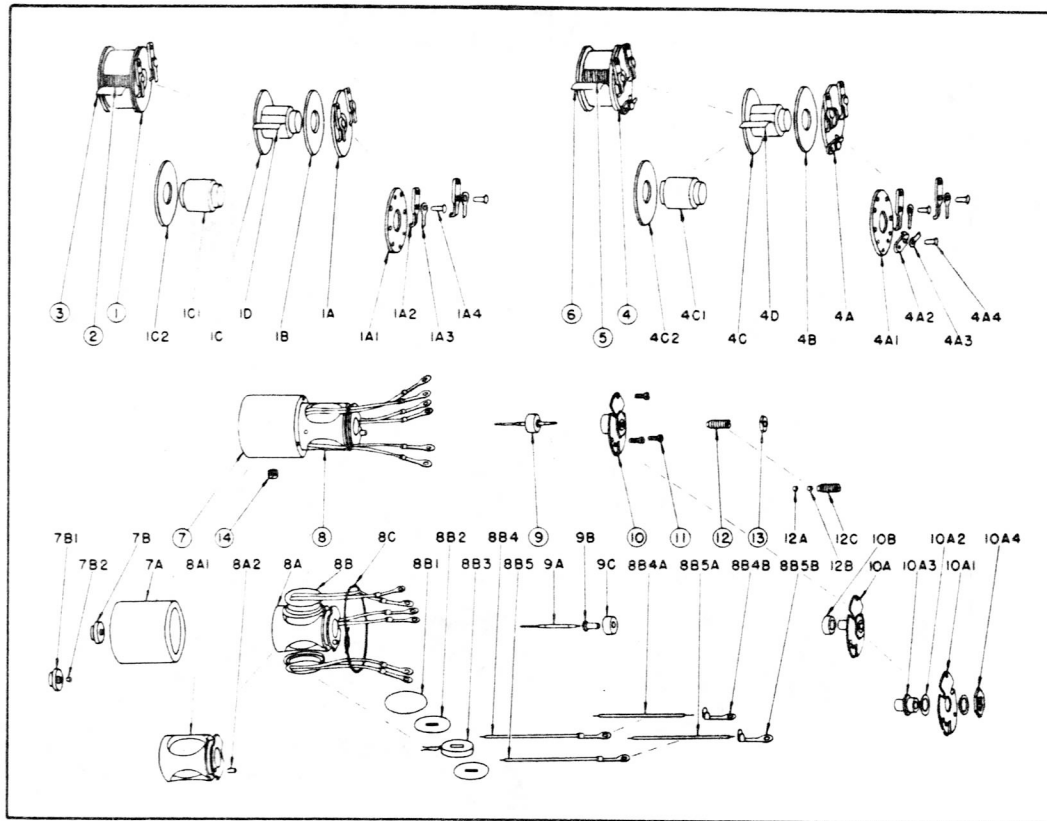


Figure 23—Exploded View of Mechanism and Resistors
for EA-104-5, -8 and -9 Indicators

Fig. No.	Index No.	Part No.	Nomenclature	EA-104-5	EA-104-8	EA-104-9	Units Per Assy
23	4C	EA-10093	Hub Assembly	x	x	x	1
23	4C1	EA-10062	Hub	x	x	x	1
23	4C2	EA-10060	Head	x	x	x	1
23	4D	EA-7928	Tape—Insulating	x	x	x	1
23	5	EA-7912-34	Wire—Nichrome	x	x	x	1
23	6	EA-7928	Tape—Insulating	x	x	x	1
22	9D	EA-1562	Washer—Lock, No. 6	x	x	x	4
22	9E	AN500B6-4	Screw, fil hd 6 32 x 1/4 in.	x	x	x	4
22	9F	EA-7929	Lug—Solder	x	x	x	1
22	9G	EA-10267	Lug—Solder	x	x	x	6
22	9H	AN-501B0-2	Screw, fil hd 0 80 x 1/8 in.	x	x	x	10
22	9J	EA-7914-4	Wire—Blue connection	x	x	x	1
22	9K	EA-7930-4	Wire—White connection	x	x	x	1
22	9L	*EA-10210A5	Mechanism Assembly	x	x	x	1
23	7	EA-10292-10	Case Assembly—Mechanism	x	x	x	1
23	7A	EA-10235-8	Case—Mechanism	x	x	x	1
23	7B	EA-10269	Holder Assembly—Jewel	x	x	x	1
23	7B1	EA-10287-1	Holder—Jewel	x	x	x	1
23	7B2	EA-10271	Jewel—Sapphire	x	x	x	1
23	8	EA-10293	Form Assembly—Coil	x	x	x	1
23	8A	EA-10297	Form Assembly—Pin & Coil	x	x	x	1
23	8A1	EA-10226	Form—Coil	x	x	x	1
23	8A2	EA-10288	Pin—Coil form	x	x	x	1
23	8B	EA-10295	Winding Assembly—Coil	x	x	x	3
23	8B1	EA-10259	Insulator—Coil form	x	x	x	1
23	8B2	EA-10227	End—Coil	x	x	x	2
23	8B3	EA-7913-44	Wire—Copper	x	x	x	1
23	8B4	EA-7954-1	Lead Assembly	x	x	x	1
23	8B4A	EA-7948-7	Wire—White connection	x	x	x	1
23	8B4B	EA-10267	Lug—Solder	x	x	x	1
23	8B5	EA-7954-2	Lead Assembly	x	x	x	1
23	8B5A	EA-7947-7	Wire—Red connection	x	x	x	1
23	8B5B	EA-10267	Lug—Solder	x	x	x	1

Fig. No.	Index No.	Part No.	Nomenclature	EA-104-5			EA-104-8			EA-104-9			Units Per Assy
				1	2	3	4	5	6	7	8	9	
23	8C	EA-7920	Cord—Waxed				x		x		x		1
23	9	EA-10209B-1	Rotor Assembly				x		x		x		1
23	9A	EA-10237	Shaft—Rotor				x		x		x		1
23	9B	EA-10249	Bushing—Rotor				x		x		x		1
23	9C	EA-10233A	Magnet—Rotor				x		x		x		1
23	10	EA-10220-1	Regulator Assembly				x		x		x		1
23	10A	EA-10257	Plate Assembly—Back				x		x		x		1
23	10A1	EA-10254-1	Plate—Bearing				x		x		x		1
23	10A2	EA-10363	Washer—Friction				x		x		x		2
23	10A3	EA-10366	Regulator				x		x		x		1
23	10A4	EA-10365	Adjustment—Return				x		x		x		1
23	10B	EA-10368	Magnet—Return				x		x		x		1
23	11	AN501B0-2	Screw, fil hd 0 80 x 1/8 in.				x		x		x		3
23	12	EA-10394	Bearing Assembly—Rear				x		x		x		1
23	12A	EA-10371	Bearing—Ring jewel				x		x		x		1
23	12B	EA-10370	Bearing—End jewel				x		x		x		1
23	12C	EA-10373	Holder, Jewel, rear				x		x		x		1
23	13	EA-10260	Nut—Lock				x		x		x		1
23	14	EA-10223	Screw—Scale adjusting				x		x		x		AR
23	14	EA-10223A	Screw—Scale adjusting				x		x		x		AR
22	9M	*EA-10210B5	Mechanism Assembly				x		x		x		1
23	7	EA-10292-10	Case Assembly—Mechanism				x		x		x		1
23	7A	EA-10235-8	Case—Mechanism				x		x		x		1
23	7B	EA-10269	Holder Assembly—Jewel				x		x		x		1
23	7B1	EA-10287-1	Holder—Jewel				x		x		x		1
23	7B2	EA-10271	Jewel—Sapphire				x		x		x		1
23	8	EA-10293	Form Assembly—Coil				x		x		x		1
23	8A	EA-10297	Form Assembly—Pin & Coil				x		x		x		1
23	8A1	EA-10226	Form—Coil				x		x		x		1
23	8A2	EA-10288	Pin—Coil form				x		x		x		1
23	8B	EA-10295	Winding Assembly—Coil				x		x		x		3
23	8B1	EA-10259	Insulator—Coil form				x		x		x		1
23	8B2	EA-10227	End—Coil				x		x		x		2
23	8B3	EA-7913-44	Wire—Copper				x		x		x		1
23	8B4	EA-7954-1	Lead Assembly				x		x		x		1
23	8B4A	EA-7948-7	Wire—White connection				x		x		x		1
23	8B4B	EA-10267	Lug—Solder				x		x		x		1
23	8B5	EA-7954-2	Lead Assembly				x		x		x		1
23	8B5A	EA-7947-7	Wire—Red connection				x		x		x		1
23	8B5B	EA-10267	Lug—Solder				x		x		x		1
23	8C	EA-7920	Cord—Waxed				x		x		x		1
23	9	EA-10209B-2	Rotor Assembly				x		x		x		1
23	9A	EA-10237	Shaft—Rotor				x		x		x		1
23	9B	EA-10249	Bushing—Rotor				x		x		x		1
23	9C	EA-10233A	Magnet—Rotor				x		x		x		1
23	10	EA-10220-1	Regulator Assembly				x		x		x		1
23	10A	EA-10257	Plate Assembly—Back				x		x		x		1
23	10A1	EA-10254-1	Plate—Bearing				x		x		x		1
23	10A2	EA-10363	Washer—Friction				x		x		x		2
23	10A3	EA-10366	Regulator				x		x		x		1
23	10A4	EA-10365	Adjustment—Return				x		x		x		1
23	10B	EA-10368	Magnet—Return				x		x		x		1
23	11	AN501B0-2	Screw, fil hd 0 80 x 1/8 in.				x		x		x		3
23	12	EA-10394	Bearing Assembly—Rear				x		x		x		1
23	12A	EA-10371	Bearing—Ring jewel				x		x		x		1
23	12B	EA-10370	Bearing—End jewel				x		x		x		1
23	12C	EA-10373	Holder—Jewel, rear				x		x		x		1
23	13	EA-10260	Nut—Lock				x		x		x		1
23	14	EA-10223	Screw—Scale adjusting				x		x		x		AR
23	14	EA-10223A	Screw—Scale adjusting				x		x		x		AR
22	9N	EA-10812	Screw—Set				x		x		x		4
22	9P	*EA-10825	Insert				x		x		x		4
22	10	EA-10410-1	Case Assembly				x		x				1
22	10	EA-10410-8	Case Assembly								x		1
22	10A	EA-14324-7	Case				x		x				1
22	10A	EA-14324-8	Case								x		1
22	10B	EA-7938-1	Receptacle Assembly				x		x		x		1
22	10B1	AN3102-14S-5P	Receptacle				x		x		x		1
22	10B2	EA-7930-6	Wire—White connection				x		x		x		1
22	10B3	EA-7917-9	Wire—Green connection				x		x		x		1

RESCINDED

Section II
Group Assembly Parts List

EO 20-85BA-4

Fig. No.	Index No.	Part No.	Nomenclature	EA-104-5			EA-104-8			EA-104-9			Units Per Assy
				1	2	3	4	5	6	7	EA-104-5	EA-104-8	
22	10B4	EA-7914-6	Wire—Blue connection							x	x	x	1
22	10B5	EA-7916-9	Wire—Yellow connection							x	x	x	1
22	10B6	EA-7915-6	Wire—Red connection							x	x	x	1
22	10C	70401-1	Rivet							x	x	x	4
22	11	NPA-104-5	Plate—Name							x			1
22	11	NPA-104-8	Plate—Name								x		1
22	11	NPC-104-9	Plate—Name									x	1
22	12	AN501B1-3	Screw, fil hd 1 72 x 3/16 in.							x	x	x	2
22	13	AN345B1	Nut, hex 1 72							x	x	x	2
22	14	70558	Screw, FH 3 56 x 5/32 in.							x	x	x	4

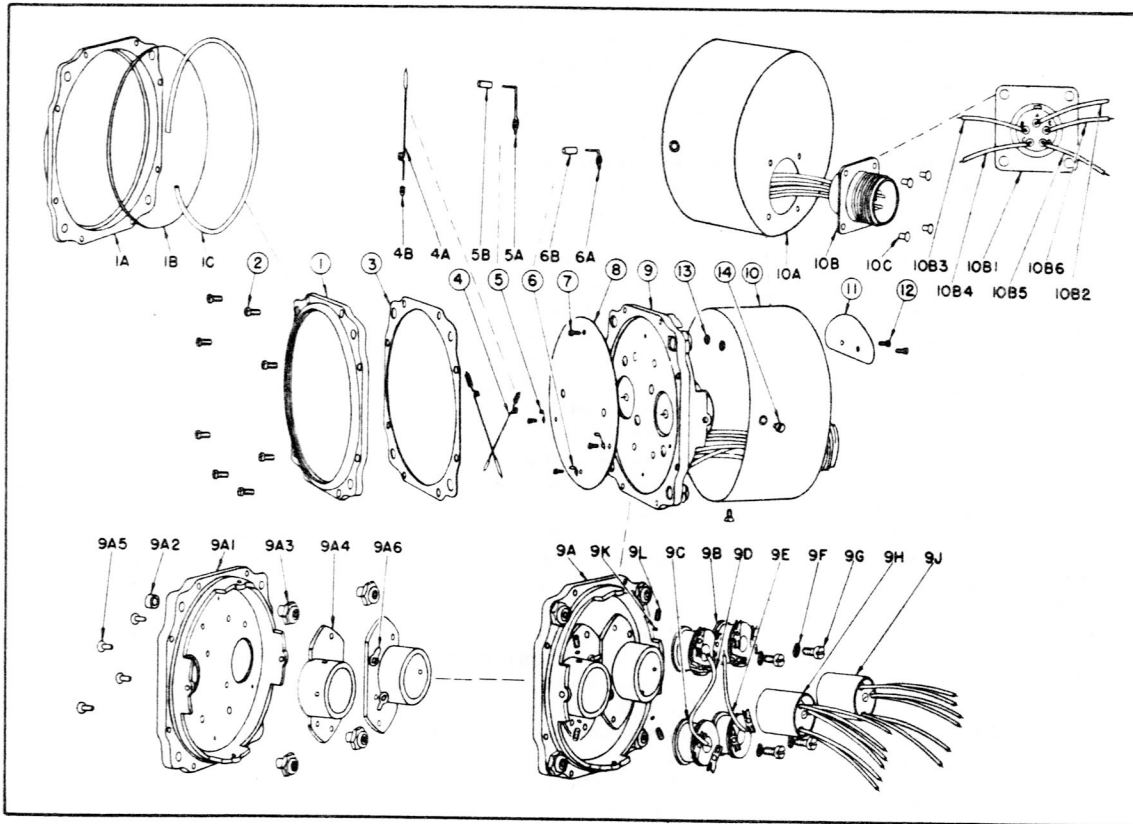


Figure 24—Exploded View of Main Assembly for EA-104-16 Indicator

Fig. No.	Index No.	Part No.	Nomenclature	EA-104-16			Units Per Assy
				1	2	3	
		EA-104	Indicator				
24	1	EA-10191	Bezel Assembly				1
24	1A	EA-10136	Bezel				1
24	1B	*EA-10138	Glass				1
24	1C	EA-10119	Ring—Snap				1
24	2	EA-10166	Screw				1
24	3	*EA-10443	Gasket—Bezel				8
24	4	*EA-10890-7Y	Pointer Assembly				1
24	4A	3992-7	Blank—Pointer				2
24	4B	EA-10146-7	Weight—Pointer				1
24	5	EA-12843-2	Stop Assembly—Pointer				1
24	5A	EA-12844-2	Holder—Pointer stop				2
24	5B	EA-12845	Sleeve—Pointer stop				1
24	6	EA-12843-1	Stop Assembly—Pointer				1
24	6A	EA-12844-1	Holder—Pointer stop				1
24	6B	EA-12845	Sleeve—Pointer stop				1
24	7	AN501B0-2	Screw, fil hd 0 80 x 1/8 in.				4

Fig. No.	Index No.	Part No.	Nomenclature	EA-104-16	Units Per Assy
			1 2 3 4 5 6 7		
24	8	EA-10405-16	Dial		1
24	9	EA-10401D1	Plate Assembly—Mounting		1
24	9A	EA-10402C	Plate Sub Assembly—Mounting		1
24	9A1	EA-10115A-11	Plate—Mounting		1
24	9A2	EA-10416	Insert		1
24	9A3	EA-10040	Nut—Stop		4
24	9A4	EA-10075-3	Adapter—Mechanism		2
24	9A5	70400-1	Rivet		4
24	9A6	EA-1225	Terminal		2
24	9B	*EA-10084-5	Resistor Assembly		2
25	1	EA-10018-3	Spool Assembly		1
25	1A	EA-10019-3	Plate Assembly—Top		1
25	1A1	EA-10060	Head		1
25	1A2	EA-10267	Lug—Solder		2
25	1A3	EA-10064	Eyelet		2
25	1B	EA-10060	Head		1
25	1C	EA-10093	Hub Assembly		1
25	1C1	EA-10062	Hub		1
25	1C2	EA-10060	Head		1
25	1D	EA-7928	Tape—Insulating		1
25	2	EA-7912-30	Wire—Nichrome		1
25	3	EA-7928	Tape—Insulating		1
24	9C	*EA-10084-15	Resistor Assembly		2
25	4	EA-10018-1	Spool Assembly		1
25	4A	EA-10019-1	Plate Assembly—Top		1
25	4A1	EA-10060	Head		1
25	4A2	EA-10267	Lug—Solder		3
25	4A3	EA-10064	Eyelet		3
25	4B	EA-10060	Head		1
25	4C	EA-10093	Hub Assembly		1
25	4C1	EA-10062	Hub		1
25	4C2	EA-10060	Head		1
25	4D	EA-7928	Tape—Insulating		1
25	5	EA-7912-34	Wire—Nichrome		1
25	6	EA-7928	Tape—Insulating		1
24	9D	EA-7914-5	Wire—Blue connection		1
24	9E	EA-7930-5	Wire—White connection		1
24	9F	EA-1562	Washer—Lock, No. 6		4
24	9G	AN500B6-4	Screw, fil hd 6 32 x 1/4 in.		4
24	9H	*EA-10210A-6	Mechanism Assembly		1
25	7	EA-10289	Shell		1
25	8	EA-10374	Cup—Insulating		1
25	9	EA-10390	Form Assembly—Coil		1
25	9A	EA-10360	Form—Coil		1
25	9B	EA-10395	Bearing Assembly—Rear		1
25	9B1	EA-10372	Holder—Jewel		1
25	9B2	EA-10371	Jewel—Sapphire		1
25	10	EA-10391	Winding Assembly—Coil		3
25	10A	EA-10361	Core—Coil		1
25	10B	EA-10362	End—Coil		2
25	10C	EA-7913-42	Wire—Copper		1
25	10D	EA-7947-11	Wire—Red connection		1
25	10E	EA-7948-11	Wire—Red connection		1
25	10F	EA-10380	Insulation—Coil form		1
25	11	EA-10209B-5	Rotor Assembly		1
25	11A	EA-10237	Shaft—Rotor		1
25	11B	EA-10249	Bushing—Rotor		1
25	11C	EA-10233A	Magnet—Rotor		1
25	12	EA-10393	Magnet Assembly—Return		1
25	12A	EA-10392	Plate Assembly—Back		1
25	12A1	EA-10364	Plate—Back		1
25	12A2	EA-10363	Washer—Friction		2
25	12A3	EA-10366	Regulator		1
25	12A4	EA-10365	Adjustment—Return		1
25	12B	EA-10368	Magnet—Return		1
25	13	EA-10367	Ring—Snap		1
25	14	EA-10394	Bearing Assembly		1
25	14A	EA-10371	Bearing—Ring jewel		1
25	14B	EA-10370	Bearing—End jewel		1
25	14C	EA-10373	Holder—Jewel, rear		1

RESCINDED

Section II
Group Assembly Parts List

EO 20-85BA-4

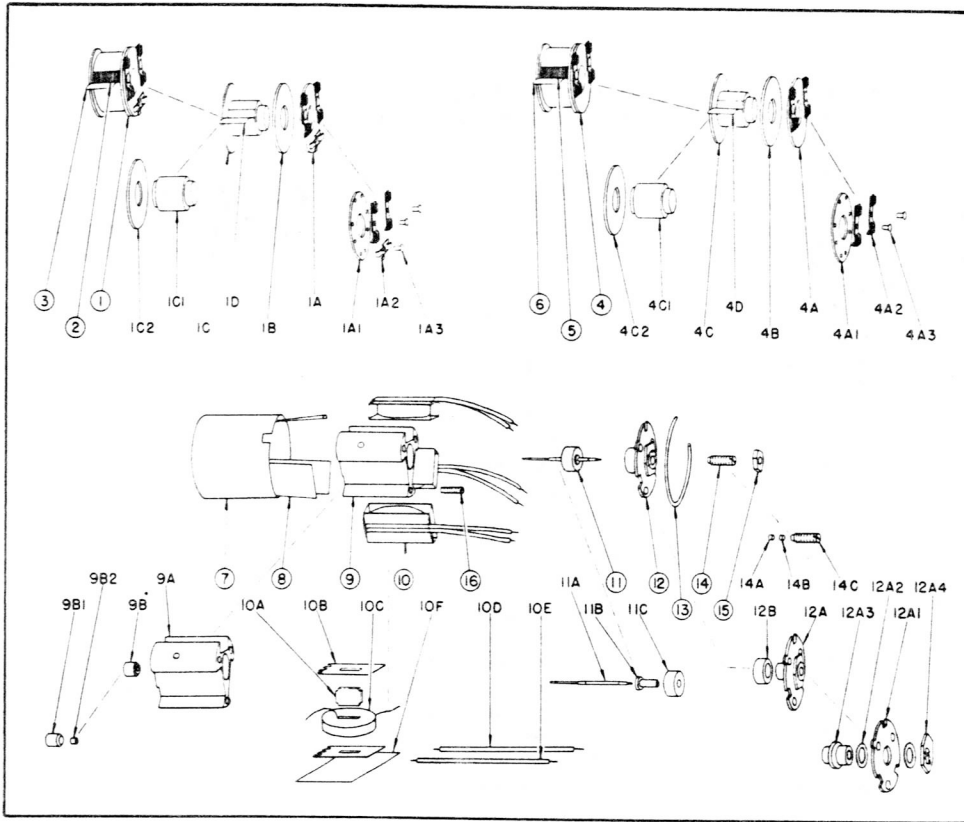


Figure 25—Exploded View of Mechanism and Resistors for EA-104-16 Indicator

Fig. No.	Index No.	Part No.	Nomenclature	EA-104-16	Units Per Assy
25	15	EA-10260	Nut—Lock		1
25	16	EA-10229	Screw—Adjusting		AR
24	9J	*EA-10210B-6	Mechanism Assembly		1
25	7	EA-10289	Shell		1
25	8	EA-10374	Cup—Insulating		1
25	9	EA-10390	Form Assembly—Coil		1
25	9A	EA-10360	Form—Coil		1
25	9B	EA-10395	Bearing Assembly—Rear		1
25	9B1	EA-10372	Holder—Jewel		1
25	9B2	EA-10371	Jewel—Sapphire		1
25	10	EA-10391	Winding Assembly—Coil		3
25	10A	EA-10361	Core—Coil		1
25	10B	EA-10362	End—Coil		2
25	10C	EA-7913-42	Wire—Copper		1
25	10D	EA-7947-11	Wire—Red connection		1
25	10E	EA-7948-11	Wire—Red connection		1
25	10F	EA-10380	Insulation—Coil form		1
25	11	EA-10209B-6	Rotor Assembly		1
25	11A	EA-10237	Shaft—Rotor		1
25	11B	EA-10249	Bushing—Rotor		1
25	11C	EA-10233A	Magnet—Rotor		1
25	12	EA-10393	Magnet Assembly—Return		1
25	12A	EA-10392	Plate Assembly—Back		1
25	12A1	EA-10364	Plate—Back		1
25	12A2	EA-10363	Washer—Friction		1
25	12A3	EA-10366	Regulator		2
25	12A4	EA-10365	Adjustment—Return		1
25	12B	EA-10368	Magnet—Return		1
25	13	EA-10367	Ring—Snap		1
25	14	EA-10394	Bearing Assembly—Rear		1
25	14A	EA-10371	Bearing—Ring jewel		1
25	14B	EA-10370	Bearing—End jewel		1
25	14C	EA-10373	Holder—Jewel, rear		1
25	15	EA-10260	Nut—Lock		1

Fig. No.	Index No.	Part No.	Nomenclature							EA-104-16	Units Per Assy
			1	2	3	4	5	6	7		
25	16	EA-10229									AR
24	9K	*EA-10825									4
24	9L	EA-10812									4
24	10	EA-10410-8									1
24	10A	EA-14324-8									1
24	10B	EA-7938-1									1
24	10B1	AN3102-14S-5P									1
24	10B2	EA-7930-6									1
24	10B3	EA-7917-9									1
24	10B4	EA-7914-6									1
24	10B5	EA-7916-9									1
24	10B6	EA-7915-6									1
24	10C	70401-1									4
24	11	NPC-104-16									1
24	12	AN501B1-3									2
24	13	AN345B1									2
24	14	70558									4

RESCINDED

Fig. No.	Index No.	Part No.	Nomenclature							EA-104A-3	EA-104A-6	Units Per Assy
			1	2	3	4	5	6	7			
		EA-104A										1
26	1	EA-10118A							x		x	1
27	1	EA-14308							x		x	1
27	1A	EA-14364							x		x	1
27	1B	EA-14354							x		x	1
27	1B1	EA-14355							x		x	1
27	1B2	EA-14356							x		x	1
27	1B3	EA-14357							x		x	1
27	1B4	EA-14352							x		x	1
27	1B5	EA-14358							x		x	2
27	1B6	EA-14371							x		x	2
27	1C	EA-14353							x		x	1
27	1D	EA-14309							x		x	1
27	1D1	EA-14350							x		x	1
27	1D2	EA-14351							x		x	2
27	2	EA-1309							x		x	1
27	3	EA-14362							x		x	1
27	4	*EA-10138							x		x	1
27	5	EA-14359							x		x	1
27	6	EA-14360							x		x	1
26	2	EA-10165							x		x	8
26	3	*EA10143B							x		x	1
26	4	*EA-10890-7							x		x	2
26	4A	3992-7							x		x	1
26	4B	EA-10146-7							x		x	1
26	5	EA-12843-1							x		x	1
26	5A	EA-12844-1							x		x	1
26	5B	EA-12845							x		x	1
26	6	EA-12843-2							x		x	2
26	6A	EA-12844-2							x		x	1
26	6B	EA-12845							x		x	1
26	7	AN501B0-2							x		x	4
26	8	EA-10405-3							x			1
26	8	EA-19405-6									x	1
26	9	EA-10451C-1							x		x	1
26	9A	EA-10452C							x		x	1
26	9A1	EA-10115A-12							x		x	1
26	9A2	EA-10040							x		x	3
26	9A3	EA-10075-3							x		x	2
26	9A4	70400-1							x		x	4
26	9B	EA-10103A							x		x	1
26	9B1	EA-14304							x		x	1
26	9B1A	EA-14369							x		x	1
26	9B1B	EA-14370							x		x	2
26	9B2	EA-14366							x		x	1
26	9B3	EA-14367							x		x	2
26	9B4	EA-14368							x		x	1

Section II
Group Assembly Parts List

EO 20-85BA-4

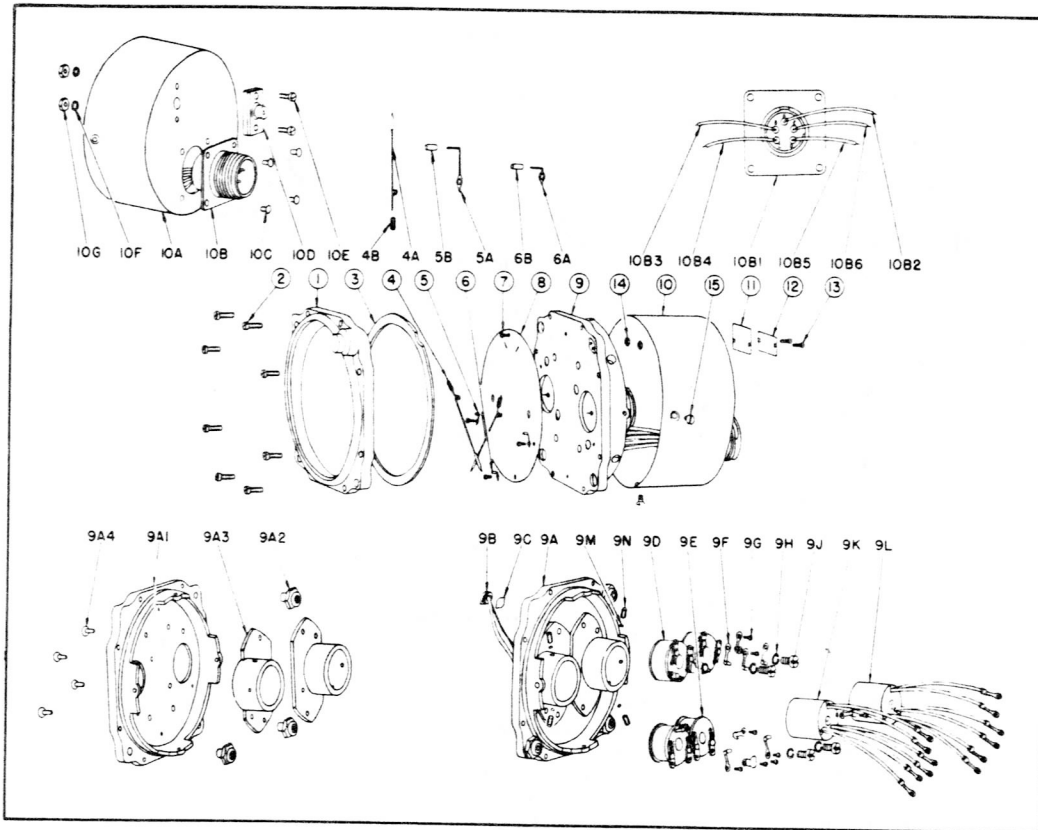


Figure 26—Exploded View of Main Assembly
for EA-104A-3 and -6 Indicators

Fig. No.	Index No.	Part No.	Nomenclature	EA-104A-3	EA-104A-6	Units Per Assy
26	9C	EA-10153A	1 Insulator	x	x	1
26	9D	*EA-10080-15	2 Resistor Assembly	x	x	2
26	9E	*EA-10080-13	3 Resistor Assembly	x	x	1
28	1	EA-10094-1	4 Spool Assembly	x	x	1
28	1A	EA-10096-1	5 Plate Assembly—Top	x	x	1
28	1A1	EA-10060	6 Head	x	x	1
28	1A2	EA-10063	7 Lug	x	x	3
28	1A3	EA-10267-1	8 Lug—Solder	x	x	3
28	1A4	EA-10064-1	9 Eyelet	x	x	3
28	1B	EA-10060	10 Head	x	x	1
28	1C	EA-10093	11 Hub Assembly	x	x	1
28	1C1	EA-10062	12 Hub	x	x	1
28	1C2	EA-10060	13 Head	x	x	1
28	1D	EA-7928	14 Tape—Insulating	x	x	1
28	2	EA-7912-34	15 Wire—Nichrome	x	x	1
28	2	EA-7912-26	16 Wire—Nichrome	x	x	1
28	3	EA-7928	17 Tape—Insulating	x	x	1
28	9F	*EA-10080-12	18 Resistor Assembly	x	x	1
28	4	EA-10094-3	19 Spool Assembly	x	x	1
28	4A	EA-10096-3	20 Plate Assembly—Top	x	x	1
28	4A1	EA-10060	21 Head	x	x	1
28	4A2	EA-10063	22 Lug	x	x	2
28	4A3	EA-10267-1	23 Lug—Solder	x	x	2
28	4A4	EA-10064-1	24 Eyelet	x	x	2
28	4B	EA-10060	25 Head	x	x	1
28	4C	EA-10093	26 Hub Assembly	x	x	1
28	4C1	EA-10062	27 Hub	x	x	1
28	4C2	EA-10060	28 Head	x	x	1
28	4D	EA-7928	29 Tape—Insulating	x	x	1
28	5	EA-7912-26	30 Wire—Nichrome	x	x	1
28	6	EA-7928	31 Tape—Insulating	x	x	1
26	9G	EA-1562	32 Washer—Lock, No. 6	x	x	4
26	9H	AN500B6-4	33 Screw, fil hd 6 32 x 1/4 in.	x	x	4

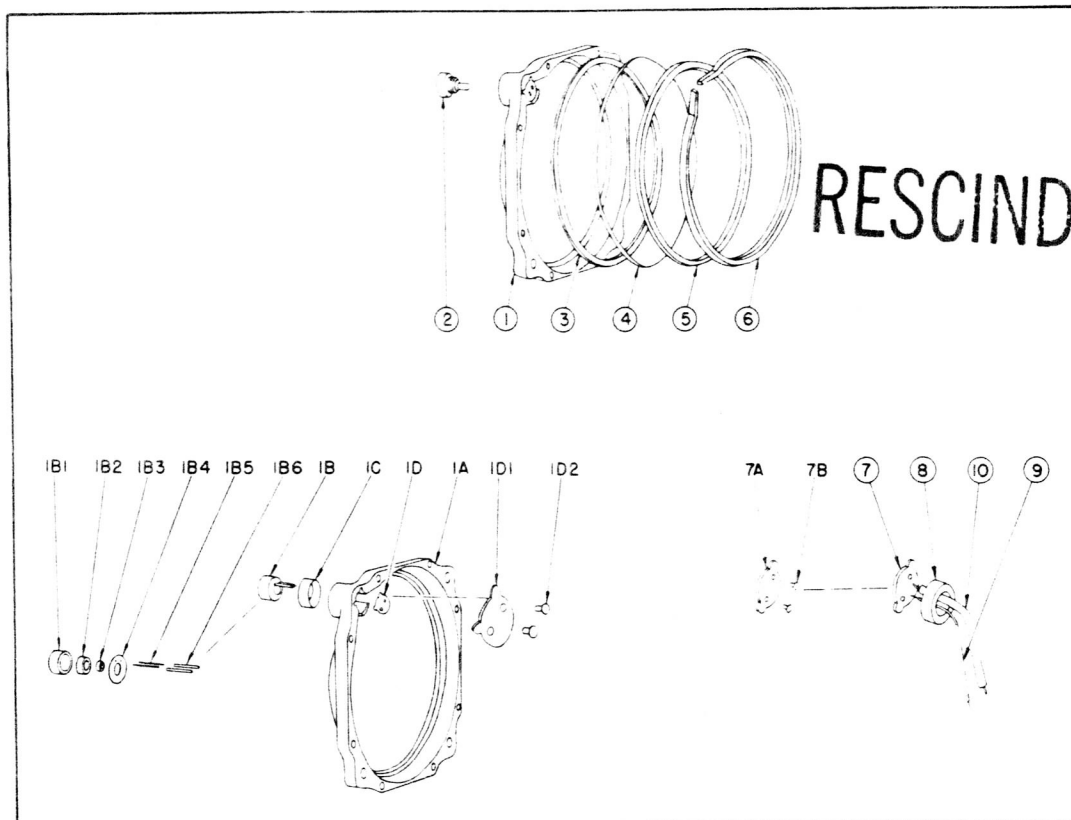


Figure 27—Exploded View of Bezel Sub Assembly
for EA-104A-3, and -6 Indicators

Fig. No.	Index No.	Part No.	Nomenclature	EA-104A-3	EA-104A-6	Units Per Assy
26	9J	EA-7929	Lug—Solder	x	x	1
26	9K	EA-10267	Lug—Solder	x	x	8
26	9L	AN-501B0-2	Screw, fil hd 0 80 x 1/8 in.	x	x	11
26	9M	*EA-10210A5	Mechanism Assembly	x	x	1
28	7	EA-10292-10	Case Assembly—Mechanism	x	x	1
28	7A	EA-10235-8	Case—Mechanism	x	x	1
28	7B	EA-10269	Holder Assembly—Jewel	x	x	1
28	7B1	EA-10287-1	Holder—Jewel	x	x	1
28	7B2	EA-10271	Jewel—Sapphire	x	x	1
28	8	EA-10293	Form Assembly—Coil	x	x	1
28	8A	EA-10297	Form Assembly—Pin & Coil	x	x	1
28	8A1	EA-10226	Form—Coil	x	x	1
28	8A2	EA-10288	Pin—Coil form	x	x	1
28	8B	EA-10295	Winding Assembly—Coil	x	x	3
28	8B1	EA-10259	Insulator—Coil form	x	x	1
28	8B2	EA-10227	End—Coil	x	x	2
28	8B3	EA-7913-44	Wire—Copper	x	x	1
28	8B4	EA-7954-1	Lead Assembly	x	x	1
28	8B4A	EA-7948-7	Wire—White connection	x	x	1
28	8B4B	EA-10267	Lug—Solder	x	x	1
28	8B5	EA-7954-2	Lead Assembly	x	x	1
28	8B5A	EA-7947-7	Wire—Red connection	x	x	1
28	8B5B	EA-10267	Lug—Solder	x	x	1
28	8C	EA-7920	Cord—Waxed	x	x	1
28	9	EA-10209B-1	Rotor Assembly	x	x	1
28	9A	EA-10237	Shaft—Rotor	x	x	1
28	9B	EA-10249	Bushing—Rotor	x	x	1
28	9C	EA-10233A	Magnet—Rotor	x	x	1
28	10	EA-10220-1	Regulator Assembly	x	x	1
28	10A	EA-10257	Plate Assembly—Back	x	x	1
28	10A1	EA-10366	Regulator	x	x	1
28	10A2	EA-10363	Washer—Friction	x	x	2
28	10A3	EA-10254-1	Plate—Bearing	x	x	1

Section II
Group Assembly Parts List

EO 20-85BA-4

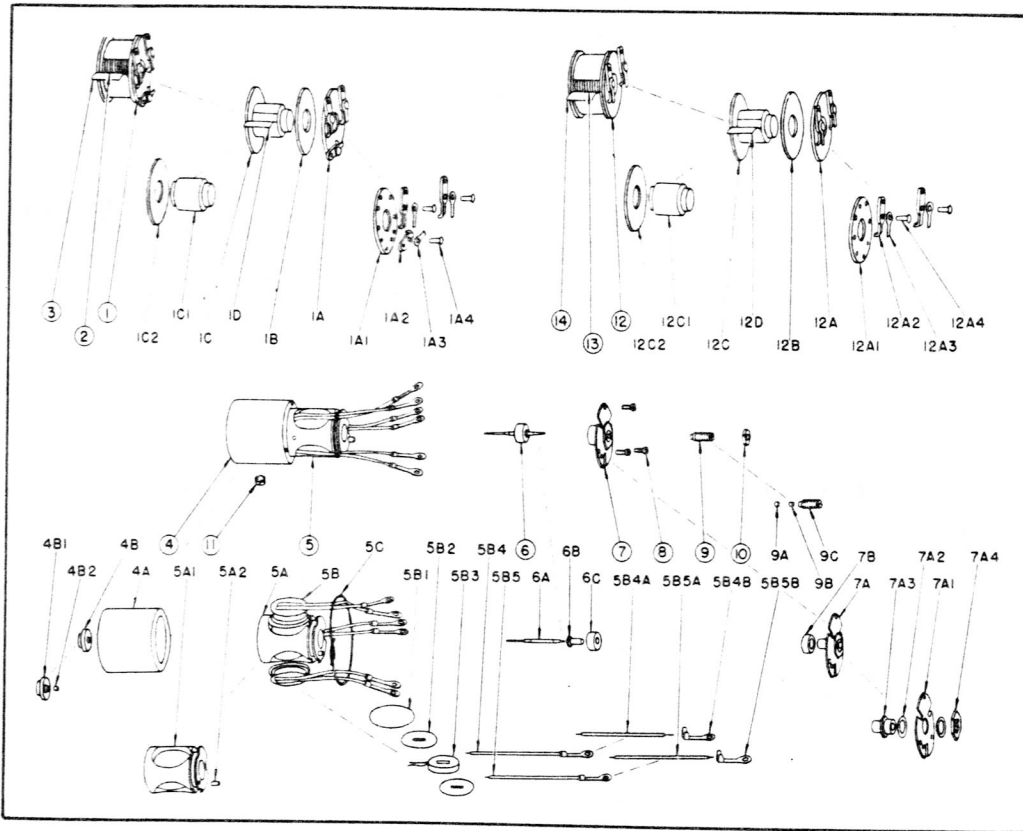


Figure 28—Exploded View of Mechanism and Resistors
for EA-104A-3, and -6 Indicators

Fig. No.	Index No.	Part No.	Nomenclature	EA-104A-3	EA-104A-6	Units Per Assy
28	10A4	EA-10365	Adjustment—Return	x	x	1
28	10B	EA-10368	Magnet—Return	x	x	1
28	11	AN501B0-12	Screw, fl hd 0 80 x 1/8 in.	x	x	3
28	12	EA-10394	Bearing Assembly—Rear	x	x	1
28	12A	EA-10371	Bearing—Ring jewel	x	x	1
28	12B	EA-10370	Bearing—End jewel	x	x	1
28	12C	EA-10373	Holder—Jewel, rear	x	x	1
28	13	EA-10260	Nut—Lock	x	x	1
28	14	EA-10223	Screw—Scale adjusting	x	x	AR
28	14	EA-10223A	Screw—Scale adjusting	x	x	AR
26	9N	*EA-10210B5	Mechanism Assembly	x	x	1
28	7	EA-10292-10	Case Assembly—Mechanism	x	x	1
28	7A	EA-10235-8	Case—Mechanism	x	x	1
28	7B	EA-10269	Holder Assembly—Jewel	x	x	1
28	7B1	EA-10287-1	Holder—Jewel	x	x	1
28	7B2	EA-10271	Jewel—Sapphire	x	x	1
28	8	EA-10293	Form Assembly—Coil	x	x	1
28	8A	EA-10297	Form Assembly—Pin & Coil	x	x	1
28	8A1	EA-10226	Form—Coil	x	x	1
28	8A2	EA-10288	Pin—Coil form	x	x	1
28	8B	EA-10295	Winding Assembly—Coil	x	x	3
28	8B1	EA-10259	Insulator—Coil form	x	x	1
28	8B2	EA-10227	End—Coil	x	x	2
28	8B3	EA-7913-44	Wire—Copper	x	x	1
28	8B4	EA-7954-1	Lead Assembly	x	x	1
28	8B4A	EA-7948-7	Wire—White connection	x	x	1
28	8B4B	EA-10267	Lug—Solder	x	x	1
28	8B5	EA-7954-2	Lead Assembly	x	x	1
28	8B5A	EA-7947-7	Wire—Red connection	x	x	1
28	8B5B	EA-10267	Lug—Solder	x	x	1
28	8C	EA-7920	Cord—Waxed	x	x	1
28	9	EA-10209B-2	Rotor Assembly	x	x	1
28	9A	EA-10237	Shaft—Rotor	x	x	1

Fig. No.	Index No.	Part No.	Nomenclature								Units	
				1	2	3	4	5	6	7	EA-104A-3	EA-104A-6
28	9B	EA-10249	Bushing—Rotor							x	x	1
28	9C	EA-10233A	Magnet—Rotor							x	x	1
28	10	EA-10220-1	Regulator Assembly							x	x	1
28	10A	EA-10257	Plate Assembly—Back							x	x	1
28	10A1	EA-10366	Regulator							x	x	1
28	10A2	EA-10363	Washer—Friction							x	x	2
28	10A3	EA-10254-1	Plate—Bearing							x	x	1
28	10A4	EA-10365	Adjustment—Return							x	x	1
28	10B	EA-10368	Magnet—Return							x	x	1
28	11	AN501B0-2	Screw, fil hd 0 80 x 1/8 in.							x	x	3
28	12	EA-10394	Bearing Assembly—Rear							x	x	1
28	12A	EA-10371	Bearing—Ring jewel							x	x	1
28	12B	EA-10370	Bearing—End jewel							x	x	1
28	12C	EA-10373	Holder—Jewel, rear							x	x	1
28	13	EA-10260	Nut—Lock							x	x	1
28	14	EA-10223	Screw—Scale adjusting							x	x	AR
28	14	EA-10223A	Screw—Scale adjusting							x	x	AR
26	9P	*EA-10825	Insert							x	x	4
26	9Q	EA-10812	Screw—Set							x	x	4
26	10	EA-10410A-1	Case Assembly							x	x	1
26	10A	EA-14324-4	Case							x	x	1
26	10B	EA-7938-1	Receptacle Assembly							x	x	1
26	10B1	AN3102-14S-5P	Receptacle							x	x	1
26	10B2	EA-7919-6	Wire—White connection							x	x	1
26	10B3	EA-7917-9	Wire—Green connection							x	x	1
26	10B4	EA-7914-6	Wire—Blue connection							x	x	1
26	10B5	EA-7916-9	Wire—Yellow connection							x	x	1
26	10B6	EA-7915-6	Wire—Red connection							x	x	1
26	10C	70401-1	Rivet							x	x	4
26	10D	AN500B4-5	Screw, fil hd 4 40 x 5/16 in.							x	x	2
26	10E	EA-1535	Washer—Lock							x	x	2
26	10F	AN340B4	Nut, hex 4 40							x	x	2
26	10G	E1003-15-20	Connector							x	x	1
26	11	EA-10285	Plate—Voltage							x	x	1
26	12	EA-12833-16	Plate—Name							x		1
26	12	EA-12833	Plate—Name								x	1
26	13	AN501B1-2	Screw, fil hd 1 72 x 1/8 in.							x	x	2
26	14	AN345B1	Nut, hex 1 72							x	x	2
26	15	70558	Screw, FH 3 56 x 5/32 in.							x	x	4

RESCINDED

Fig. No.	Index No.	Part No.	Nomenclature								Units	
				1	2	3	4	5	6	7	EA-108-5	EA-108-13
		EA-108	Indicator							x	x	1
29	1	EA-10891	Bezel Assembly							x	x	1
29	1A	EA-10836	Bezel							x	x	1
29	1B	*EA-10838	Glass							x	x	1
29	1C	EA-10819	Ring—Snap							x	x	1
29	2	AN501B0-3	Screw, fil hd 0 80 x 3/16 in.							x	x	8
29	3	*EA-10844	Gasket—Bezel							x	x	1
29	4	*EA-10890	Pointer Assembly							x	x	2
29	4A	3992-1	Blank—Pointer							x	x	1
29	4B	EA-10146-1	Weight—Pointer							x	x	1
29	5	EA-12843-2	Stop Assembly—Pointer							x	x	2
29	5A	EA-12844-2	Holder—Pointer stop							x	x	1
29	5B	EA-12845	Sleeve—Pointer stop							x	x	1
29	6	EA-12843-1	Stop Assembly—Pointer							x	x	1
29	6A	EA-12844-1	Holder—Pointer stop							x	x	1
29	6B	EA-12845	Sleeve—Pointer stop							x	x	1
29	7	AN501B0-2	Screw, fil hd 0 80 x 1/8 in.							x	x	4
29	8	EA-10805-5	Dial							x		1
29	8	EA-10805-13	Dial								x	1
29	9	EA-10801B-1	Plate Assembly—Mounting							x	x	1
29	9A	EA-10802B	Plate Sub Assembly—Mounting							x	x	1
29	9A1	EA-10830-7	Plate—Mounting							x	x	1
29	9A2	EA-10040	Nut—Stop							x	x	4

Section II
Group Assembly Parts List

EO 20-85BA-4

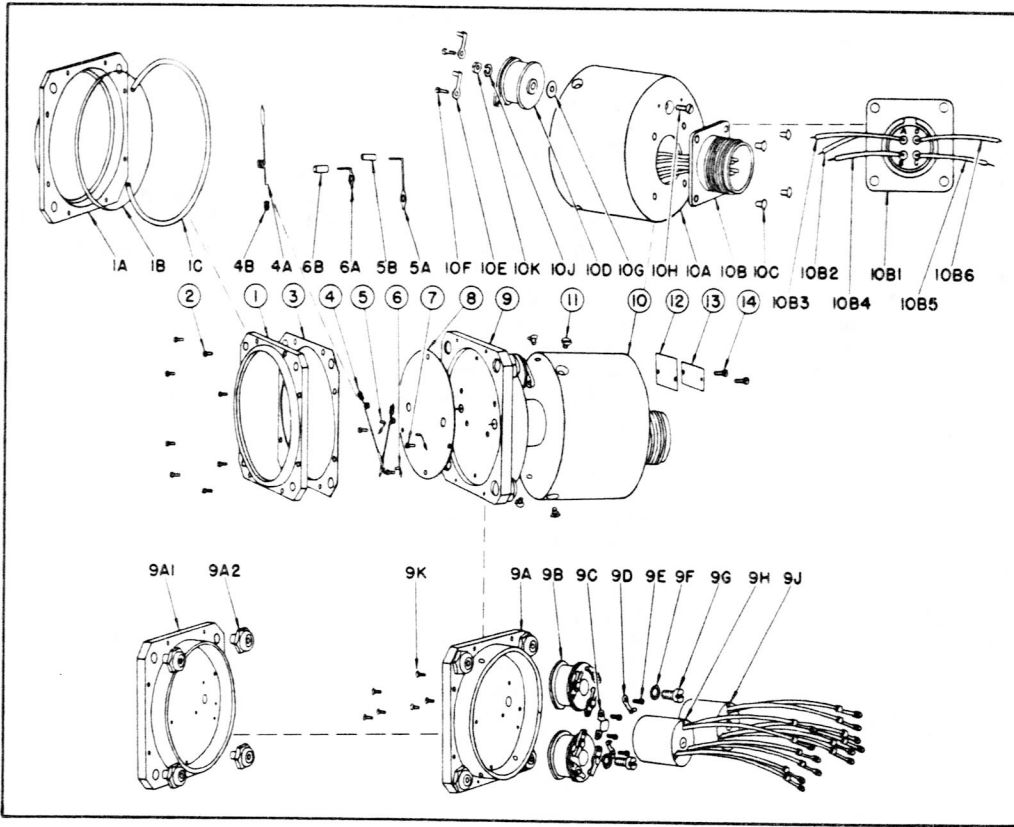


Figure 29—Exploded View of Main Assembly
for EA-108-5, and -13 Indicators

Fig. No.	Index No.	Part No.	Nomenclature	EA-108-5	EA-108-13	Units Per Assy
29	9B	*EA-10080-3	1 2 3 4 5 6 7 Resistor Assembly	x		2
30	1	EA-10094-1	Spool Assembly	x	x	1
30	1A	EA-10096-1	Plate Assembly—Top	x	x	1
30	1A1	EA-10060	Head	x	x	1
30	1A2	EA-10063	Lug	x	x	3
30	1A3	EA-10267-1	Lug—Solder	x	x	3
30	1A4	EA-10064-1	Eyelet	x	x	3
30	1B	EA-10060	Head	x	x	1
30	1C	EA-10093	Hub Assembly	x	x	1
30	1C1	EA-10062	Hub	x	x	1
30	1C2	EA-10060	Head	x	x	1
30	1D	EA-7928	Tape—Insulating	x	x	1
30	2	EA-7912-38	Wire—Nichrome	x	x	1
30	3	EA-7928	Tape—Insulating	x	x	1
29	9C	EA-7929	Lug—Solder	x	x	1
29	9D	EA-10267	Lug—Solder	x	x	2
29	9E	AN501B0-2	Screw, fil hd 0 80 x 1/8 in.	x	x	6
29	9F	EA-1535	Washer—Lock	x	x	2
29	9G	AN520B3-4	Screw, RH 3 56 x 1/4 in.	x	x	2
29	9H	*EA-10210A4	Mechanism Assembly	x	x	1
30	4	EA-10292A	Case Assembly—Mechanism	x	x	1
30	4A	EA-10235A	Case—Mechanism	x	x	1
30	4B	EA-10286	Nut—Lock	x	x	1
30	4C	EA-10230	Bearing—Rear jewel	x	x	1
30	5	EA-10293	Form Assembly—Coil	x	x	1
30	5A	EA-10297	Form Assembly—Pin & Coil	x	x	1
30	5A1	EA-10226	Form—Coil	x	x	1
30	5A2	EA-10288	Pin—Coil form	x	x	1
30	5B	EA-10295	Winding Assembly—Coil	x	x	3
30	5B1	EA-10259	Insulator—Coil form	x	x	1
30	5B2	EA-10227	End—Coil	x	x	2
30	5B3	EA-7913-44	Wire—Copper	x	x	1

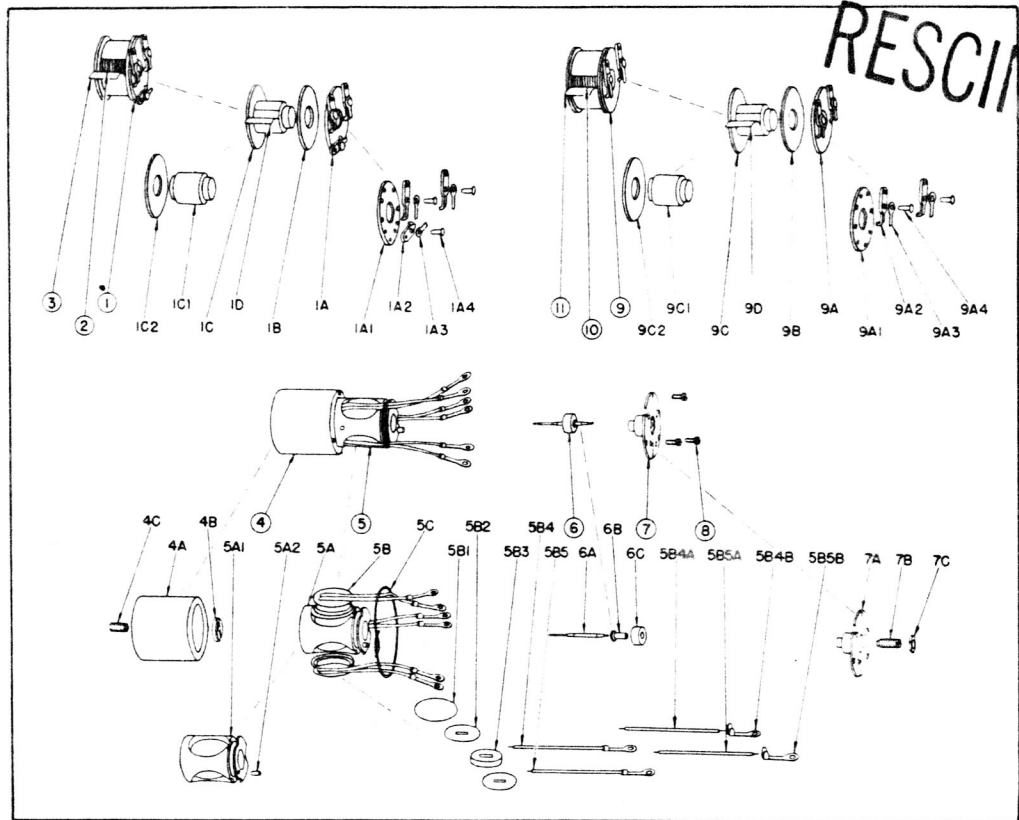


Figure 30—Exploded View of Mechanism and Resistors for EA-108-5, and -13 Indicators

Fig. No.	Index No.	Part No.	Nomenclature							EA-108-5	EA-108-13	Units Per Assy
			1	2	3	4	5	6	7			
30	5B4	EA-7954-1								x	x	1
30	5B4A	EA-7948-7								x	x	1
30	5B4B	EA-10267								x	x	1
30	5B5	EA-7954-2								x	x	1
30	5B5A	EA-7947-7								x	x	1
30	5B5B	EA-10267								x	x	1
30	5C	EA-7920								x	x	1
30	6	EA-10209A-1								x	x	1
30	6A	EA-10237								x	x	1
30	6B	EA-110249								x	x	1
30	6C	EA-10233A								x	x	1
30	7	EA-10294								x	x	1
30	7A	EA-10280								x	x	1
30	7B	EA-10231								x	x	1
30	7C	EA-10232								x	x	1
30	8	AN501B0-3								x	x	3
29	9J	*EA-10210B4								x	x	1
30	4	EA-10292A								x	x	1
30	4A	EA-10235A								x	x	1
30	4B	EA-10286								x	x	1
30	4C	EA-10230								x	x	1
30	5	EA-10293								x	x	1
30	5A	EA-10297								x	x	1
30	5A1	EA-10226								x	x	1
30	5A2	EA-10288								x	x	1
30	5B	EA-10295								x	x	3
30	5B1	EA-10259								x	x	1
30	5B2	EA-10227								x	x	2
30	5B3	EA-7913-44								x	x	1
30	5B4	EA-7954-1								x	x	1
30	5B4A	EA-7948-7								x	x	1
30	5B4B	EA-10267								x	x	1

Section II
Group Assembly Parts List

EO 20-85BA-4

Fig. No.	Index No.	Part No.	Nomenclature	1	2	3	4	5	6	7	EA-108-5	EA-108-13	Units Per Assy
30	5B5	EA-7954-2	Lead Assembly—								x	x	1
30	5B5A	EA-7947-7	Wire—Red connection								x	x	1
30	5B5B	EA-10267	Lug—Solder								x	x	1
30	5C	EA-7920	Cord—Waxed								x	x	1
30	6	EA-10209A-2	Rotor Assembly								x	x	1
30	6A	EA-10237	Shaft—Rotor								x	x	1
30	6B	EA-10249	Bushing—Rotor								x	x	1
30	6C	EA-10233A	Magnet—Rotor								x	x	1
30	7	EA-10294	Plate Assembly—Bearing								x	x	1
30	7A	EA-10280	Plate—Bearing								x	x	1
30	7B	EA-10231	Bearing								x	x	1
30	7C	EA-10232	Nut—Lock								x	x	1
30	8	AN501B0-3	Screw, fil hd 0 80 x 3/16 in.								x	x	3
29	9K	AN510B0-3	Screw, FH 0 80 x 3/16 in.								x	x	6
29	10	EA-10810B-2	Case Assembly								x	x	1
29	10A	EA-10824-1	Case								x	x	1
29	10B	EA-7937-4	Receptacle Assembly								x	x	1
29	10B1	AN3102-14S-2P	Receptacle								x	x	1
29	10B2	EA-7914-3	Wire—Blue connection								x	x	1
29	10B3	EA-7914-7	Wire—Blue connection								x	x	1
29	10BA	EA-7917-8	Wire—Green connection								x	x	1
29	10B5	EA-7916-6	Wire—Yellow connection								x	x	1
29	10B6	EA-7915-3	Wire—Red connection								x	x	1
29	10C	70401-2	Rivet								x	x	4
29	10D	*EA-10080-17	Resistor Assembly								x	x	1
30	9	EA-10094-3	Spool Assembly								x	x	1
30	9A	EA-10096-3	Plate Assembly—Top								x	x	1
30	9A1	EA-10060	Head								x	x	1
30	9A2	EA-10063	Lug								x	x	2
30	9A3	EA-10267-1	Lug—Solder								x	x	2
30	9A4	EA-10064-1	Eyelet								x	x	2
30	9B	EA-10060	Head								x	x	1
30	9C	EA-10093	Hub Assembly								x	x	1
30	9C1	EA-10062	Hub								x	x	1
30	9C2	EA-10060	Head								x	x	1
30	9D	EA-7928	Tape—Insulating								x	x	1
30	10	EA-7912-28	Wire—Nichrome								x	x	1
30	11	EA-7928	Tape—Insulating								x	x	1
29	10E	EA-10267	Lug—Solder								x	x	2
29	10F	AN501B0-2	Screw, fil hd 0 80 x 1/8 in.								x	x	2
29	10G	AN960B3	Washer								x	x	1
29	10H	AN510B3-5	Screw, FH 3 56 x 5/16 in.								x	x	1
29	10J	EA-1535	Washer—Lock								x	x	1
29	10K	AN345B3	Nut, hex 3 56								x	x	1
29	11	70558	Screw, FH 3 56 x 5/32 in.								x	x	4
29	12	EA-10285	Plate—Voltage								x	x	1
29	13	EA-12833	Plate—Name								x	x	1
29	14	AN501B1-3	Screw, fil hd 1 72 x 3/16 in.								x	x	2

Fig. No.	Index No.	Part No.	Nomenclature	1	2	3	4	5	6	7	EA-108-6	EA-108-6F	Units Per Assy
		EA-108	Indicator								x	x	1
31	1	EA-10891	Bezel Assembly								x	x	1
31	1A	EA-10836	Bezel								x	x	1
31	1B	*EA-10838	Glass								x	x	1
31	1C	EA-10819	Ring—Snap								x	x	1
31	2	AN501B0-3	Screw, fil hd 0 80 x 3/16 in.								x	x	8
31	3	*EA-10844	Gasket—Bezel								x	x	1
31	4	*EA-10890-1	Pointer—Assembly								x	x	2
31	4A	3992-1	Blank—Pointer								x	x	1
31	4B	EA-10146-1	Weight—Pointer								x	x	1
31	5	EA-12843-2	Stop Assembly—Pointer								x	x	2
31	5A	EA-12844-2	Holder—Pointer stop								x	x	1
31	5B	EA-12845	Sleeve—Pointer stop								x	x	1

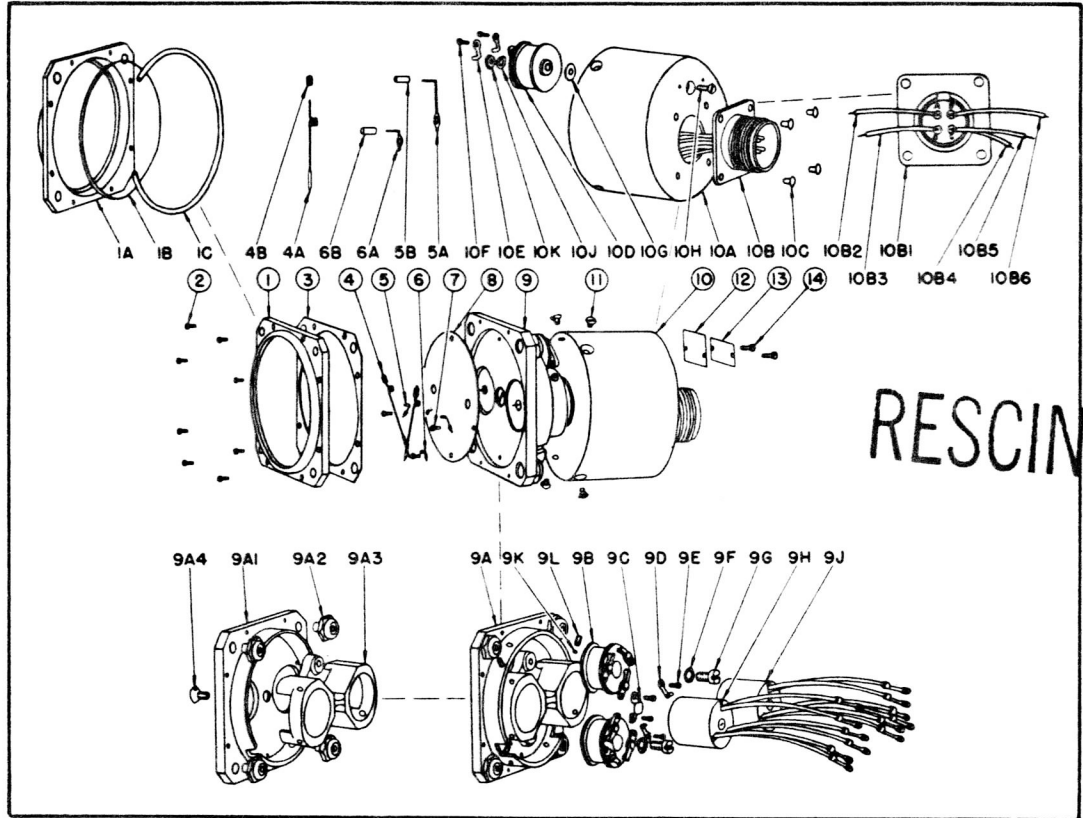


Figure 31—Exploded View of Main Assembly
for EA-108-6, and -6F Indicators

Fig. No.	Index No.	Part No.	Nomenclature	EA-108-6	EA-108-6F	Units Per Assy
31	6	EA-12843-1	1 Stop Assembly—Pointer	x	x	1
31	6A	EA-12844-1	2 Holder—Pointer stop	x	x	1
31	6B	EA-12845	3 Sleeve—Pointer stop	x	x	1
31	7	AN501B0-2	4 Screw, fil hd 0 80 x 1/8 in.	x	x	4
31	8	EA-10805-6	5 Dial	x		1
31	8	EA-10805-6F	6 Dial		x	1
31	9	EA-10801C-1	7 Plate Assembly—Mounting	x	x	1
31	9A	EA-10802C	Plate Sub Assembly—Mounting	x	x	1
31	9A1	EA-10830-13	Plate—Mounting	x	x	1
31	9A2	EA-10040	Nut—Stop	x	x	4
31	9A3	EA-10811D-1	Bracket—Mechanism	x	x	1
31	9A4	AN505B6-4	Screw, FH 6 32 x 1/4 in.	x	x	1
31	9B	*EA-10080-15	Resistor Assembly	x	x	2
32	1	EA-10094-1	Spool Assembly	x	x	1
32	1A	EA-10096-1	Plate Assembly—Top	x	x	1
32	1A1	EA-10060	Head	x	x	1
32	1A2	EA-10063	Lug	x	x	3
32	1A3	EA-10267-1	Lug—Solder	x	x	3
32	1A4	EA-10064-1	Eyelet	x	x	3
32	1B	EA-10060	Head	x	x	1
32	1C	EA-10093	Hub Assembly	x	x	1
32	1C1	EA-10062	Hub	x	x	1
32	1C2	EA-10060	Head	x	x	1
32	1D	EA-7928	Tape—Insulating	x	x	1
32	2	EA-7912-34	Wire—Nichrome	x	x	1
32	3	EA-7928	Tape—Insulating	x	x	1
31	9C	EA-7929	Lug—Solder	x	x	1
31	9D	EA-10267	Lug—Solder	x	x	2
31	9E	AN501B0-2	Screw, fil hd 0 80 x 1/8 in.	x	x	6
31	9F	EA-1562	Washer—Lock, No. 6	x	x	2
31	9G	AN500B6-4	Screw, fil hd 6 32 x 1/4 in.	x	x	2
31	9H	*EA-10210A5	Mechanism Assembly	x	x	1
32	4	EA-10292-10	Case Assembly—Mechanism	x	x	1
32	4A	EA-10235-8	Case—Mechanism	x	x	1

Section II
Group Assembly Parts List

EO 20-85BA-4

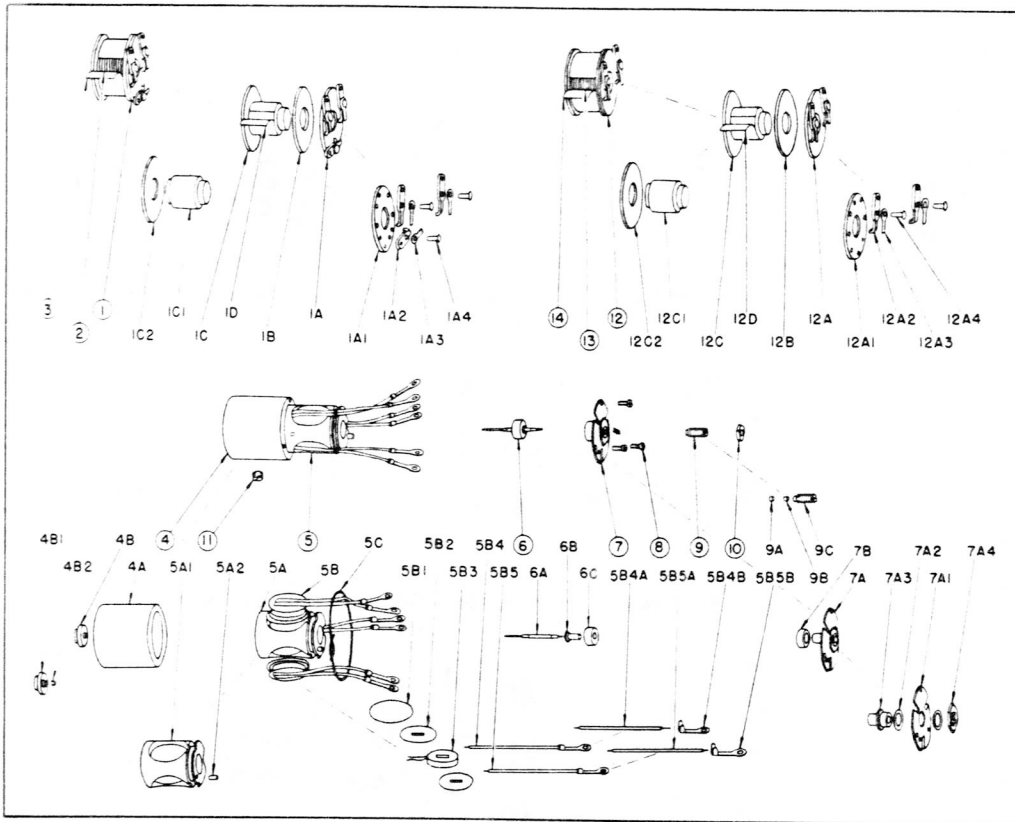


Figure 32—Exploded View of Mechanism and Resistors
for EA-108-6, and -6F Indicators

Fig. No.	Index No.	Part No.	Nomenclature	EA-108-6	EA-108-6F	Units Per Assy
32	4B	EA-10269	Holder Assembly—Jewel	x	x	1
32	4B1	EA-10287-1	Holder—Jewel	x	x	1
32	4B2	EA-10271	Jewel—Sapphire	x	x	1
32	5	EA-10293	Form Assembly—Coil	x	x	1
32	5A	EA-10297	Form Assembly—Pin & Coil	x	x	1
32	5A1	EA-10226	Form—Coil	x	x	1
32	5A2	EA-10288	Pin—Coil Form	x	x	1
32	5B	EA-10295	Winding Assembly—Coil	x	x	3
32	5B1	EA-10259	Insulator—Coil form	x	x	1
32	5B2	EA-10227	End—Coil	x	x	2
32	5B3	EA-7913-44	Wire—Copper	x	x	1
32	5B4	EA-7954-1	Lead Assembly	x	x	1
32	5B4A	EA-7948-7	Wire—White connection	x	x	1
32	5B4B	EA-10267	Lug—Solder	x	x	1
32	5B5	EA-7954-2	Lead Assembly	x	x	1
32	5B5A	EA-7947-7	Wire—Red connection	x	x	1
32	5B5B	EA-10267	Lug—Solder	x	x	1
32	5C	EA-7920	Cord—Waxed	x	x	1
32	6	EA-10209B-1	Rotor Assembly	x	x	1
32	6A	EA-10237	Shaft—Rotor	x	x	1
32	6B	EA-10249	Bushing—Rotor	x	x	1
32	6C	EA-10233A	Magnet—Rotor	x	x	1
32	7	EA-10220-1	Regulator Assembly	x	x	1
32	7A	EA-10257	Plate Assembly	x	x	1
32	7A1	EA-10366	Regulator	x	x	1
32	7A2	EA-10363	Washer—Friction	x	x	2
32	7A3	EA-10254-1	Plate—Bearing	x	x	1
32	7A4	EA-10365	Adjustment—Return	x	x	1
32	7B	EA-10368	Magnet—Return	x	x	1
32	8	AN501B0-2	Screw, fil hd 0 80 x 1/8 in.	x	x	3
32	9	EA-10394	Bearing Assembly—Rear	x	x	1
32	9A	EA-10371	Bearing—Ring jewel	x	x	1
32	9B	EA-10370	Bearing—End jewel	x	x	1
32	9C	EA-10373	Holder—Jewel, rear	x	x	1

RESCINDED

EO 20-85BA-4

Section II
Group Assembly Parts List

Fig. No.	Index No.	Part No.	Nomenclature	Units	
				EA-108-6	EA-108-6F
32	10	EA-10260	Nut—Lock	x	1
32	11	EA-10223	Screw—Scale adjusting	x	AR
32	11	EA-10223A	Screw—Scale adjusting	x	AR
31	9J	*EA-10210B5	Mechanism Assembly	x	1
32	4	EA-10292-10	Case Assembly—Mechanism	x	1
32	4A	EA-10235-8	Case—Mechanism	x	1
32	4B	EA-10269	Holder Assembly—Jewel	x	1
32	4B1	EA-10287-1	Holder—Jewel	x	1
32	4B2	EA-10271	Jewel—Sapphire	x	1
32	5	EA-10293	Form Assembly—Coil	x	1
32	5A	EA-10297	Form Assembly—Pin & Coil	x	1
32	5A1	EA-10226	Form—Coil	x	1
32	5A2	EA-10288	Pin—Coil form	x	1
32	5B	EA-10295	Winding Assembly—Coil	x	3
32	5B1	EA-10259	Insulator—Coil form	x	1
32	5B2	EA-10227	End—Coil	x	2
32	5B3	EA-7913-44	Wire—Copper	x	1
32	5B4	EA-7954-1	Lead Assembly	x	1
32	5B4A	EA-7948-7	Wire—White connection	x	1
32	5B4B	EA-10267	Lug—Solder	x	1
32	5B5	EA-7954-2	Lead Assembly	x	1
32	5B5A	EA-7947-7	Wire—Red connection	x	1
32	5B5B	EA-10267	Lug—Solder	x	1
32	5C	EA-7920	Cord—Waxed	x	1
32	6	EA-10209B2	Rotor Assembly	x	1
32	6A	EA-10237	Shaft—Rotor	x	1
32	6B	EA-10249	Bushing—Rotor	x	1
32	6C	EA-10233A	Magnet—Rotor	x	1
32	7	EA-10220-1	Regulator Assembly	x	1
32	7A	EA-10257	Plate Assembly—Back	x	1
32	7A1	EA-10366	Regulator	x	1
32	7A2	EA-10363	Washer—Friction	x	2
32	7A3	EA-10254-1	Plate—Bearing	x	1
32	7A4	EA-10365	Adjustment—Return	x	1
32	7B	EA-10368	Magnet—Return	x	1
32	8	AN501B0-2	Screw, fil hd 0 80 x 1/8 in.	x	3
32	9	EA-10394	Bearing Assembly—Rear	x	1
32	9A	EA-10371	Bearing—Ring jewel	x	1
32	9B	EA-10370	Bearing—End jewel	x	1
32	9C	EA-10373	Holder—Jewel, rear	x	1
32	10	EA-10260	Nut—Lock	x	1
32	11	EA-10223	Screw—Scale adjusting	x	AR
32	11	EA-10223A	Screw—Scale adjusting	x	AR
31	9K	*EA-10825	Insert	x	4
31	9L	EA-10812	Screw—Set	x	4
31	10	EA-10810B-10	Case Assembly	x	1
31	10A	EA-10824-1	Case	x	1
31	10B	EA-7937-3	Receptacle Assembly	x	1
31	10B1	AN3102-14S-2P	Receptacle	x	1
31	10B2	EA-7916-6	Wire—Yellow connection	x	1
31	10B3	EA-7917-8	Wire—Green connection	x	1
31	10B4	EA-7914-3	Wire—Blue connection	x	1
31	10B5	EA-7914-7	Wire—Blue connection	x	1
31	10B6	EA-7915-3	Wire—Red connection	x	1
31	10C	70401-2	Rivet	x	4
31	10D	*EA-10080-17	Resistor Assembly	x	1
32	12	EA-10094-3	Spool Assembly	x	1
32	12A	EA-10096-3	Plate Assembly—Top	x	1
32	12A1	EA-10060	Head	x	1
32	12A2	EA-10063	Lug	x	2
32	12A3	EA-10267-1	Lug—Solder	x	2
32	12A4	EA-10064-1	Eyelet	x	2
32	12B	EA-10060	Head	x	1
32	12C	EA-10093	Hub Assembly	x	1
32	12C1	EA-10060	Head	x	1
32	12C2	EA-10062	Hub	x	1
32	12D	EA-7928	Tape—Insulating	x	1
32	13	EA-7912-28	Wire—Nichrome	x	1
32	14	EA-7928	Tape—Insulating	x	1
31	10E	EA-10267	Lug—Solder	x	2

Section II
Group Assembly Parts List

EO 20-85BA-4

Fig. No.	Index No.	Part No.	Nomenclature			Units Per Assy
				EA-108-6	EA-108-6F	
31	10F	AN501B0-2	Screw, fil hd 0 80 x 1/8 in.	x	x	2
31	10G	AN960B3	Washer	x	x	1
31	10H	AN501B3-5	Screw, fil hd 3 56 x 5/16 in.	x	x	1
31	10J	EA-1535	Washer—Lock	x	x	1
31	10K	AN345B3	Nut	x	x	1
31	11	70558	Screw, FH 3 56 x 5/32 in.	x	x	4
31	12	EA-10285	Plate—Voltage	x	x	1
31	13	EA-12833	Plate—Name	x		1
31	13	NPB-108-6F	Plate—Name		x	1
31	14	AN501B1-3	Screw, fil hd 1 72 x 3/16 in.	x	x	2

Fig. No.	Index No.	Part No.	Nomenclature					Units Per Assy
				EA-108-11C	EA-108-16	EA-108-19	EA-108-26	
		EA-108	Indicator	x	x	x	x	1
33	1	EA-10891	Bezel Assembly	x	x	x	x	1
33	1A	EA-10836	Bezel	x	x	x	x	1
33	1B	*EA-10838	Glass	x	x	x	x	1
33	1C	EA-10819	Ring—Snap	x	x	x	x	1
33	2	AN501B0-3	Screw, fil hd 0 80 x 3/16 in.	x	x	x	x	8
33	3	*EA-10844	Gasket—Bezel	x	x	x	x	1
33	4	*EA-10890-1	Pointer Assembly	x	x	x	x	2
33	4A	3992-1	Blank—Pointer	x	x	x	x	1
33	4B	EA-10146-1	Weight—Pointer	x	x	x	x	1
33	5	EA-12843-2	Stop Assembly—Pointer	x	x	x	x	2
33	5A	EA-12844-2	Holder—Pointer stop	x	x	x	x	1
33	5B	EA-12845	Sleeve—Pointer stop	x	x	x	x	1

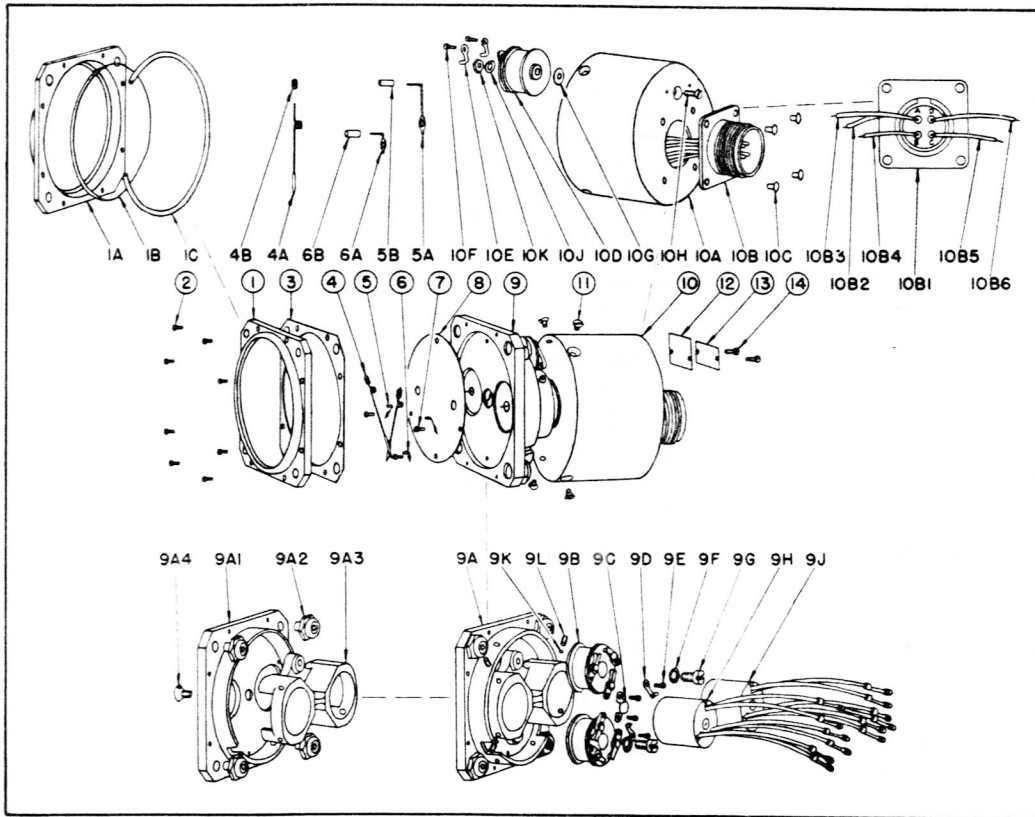


Figure 33—Exploded View of Main Assembly for EA-108-11C, -16 -19 and -26 Indicators

Fig. No.	Index No.	Part No.	Nomenclature					Units Per Assy
				EA-108-11C	EA-108-16	EA-108-19	EA-108-26	
			1 2 3 4 5 6 7					
33	6	EA-12843-1	Stop Assembly—Pointer	x	x	x	x	1
33	6A	EA-12844-1	Holder—Pointer stop	x	x	x	x	1
33	6B	EA-12845	Sleeve—Pointer stop	x	x	x	x	1
33	7	AN501B0-2	Screw, fl hd 0 80 x 1/8 in.	x	x	x	x	4
33	8	EA-10805-11C	Dial	x				1
33	8	EA-10805-16	Dial		x			1
33	8	EA-10805-19	Dial			x		1
33	8	EA-10805-26	Dial				x	1
33	9	EA-10801C	Plate Assembly—Mounting	x	x	x	x	1
33	9A	EA-10802-C	Plate Assembly—Mounting	x	x	x	x	1
33	9A1	EA-10830-13	Plate—Mounting	x	x	x	x	1
33	9A2	EA-10040	Nut—Stop	x	x	x	x	4
33	9A3	EA-10811D-1	Bracket—Mechanism	x	x	x	x	1
33	9A4	AN505B6-4	Screw, FH 6 32 x 1/4 in.	x	x	x	x	1
33	9B	*EA-10080-15	Resistor Assembly	x	x	x	x	2
34	1	EA-10094-1	Spool Assembly	x	x	x	x	1
34	1A	EA-10096-1	Plate Assembly—Top	x	x	x	x	1
34	1A1	EA-10060	Head	x	x	x	x	1
34	1A2	EA-10063	Lug	x	x	x	x	3
34	1A3	EA-10267-1	Lug—Solder	x	x	x	x	3
34	1A4	EA-10064-1	Eyelet	x	x	x	x	3
34	1B	EA-10060	Head	x	x	x	x	1
34	1C	EA-10093	Hub Assembly	x	x	x	x	1
34	1C1	EA-10062	Hub	x	x	x	x	1
34	1C2	EA-10060	Head	x	x	x	x	1
34	1D	EA-7928	Tape—Insulating	x	x	x	x	1
34	2	EA-7912-34	Wire—Nichrome	x	x	x	x	1

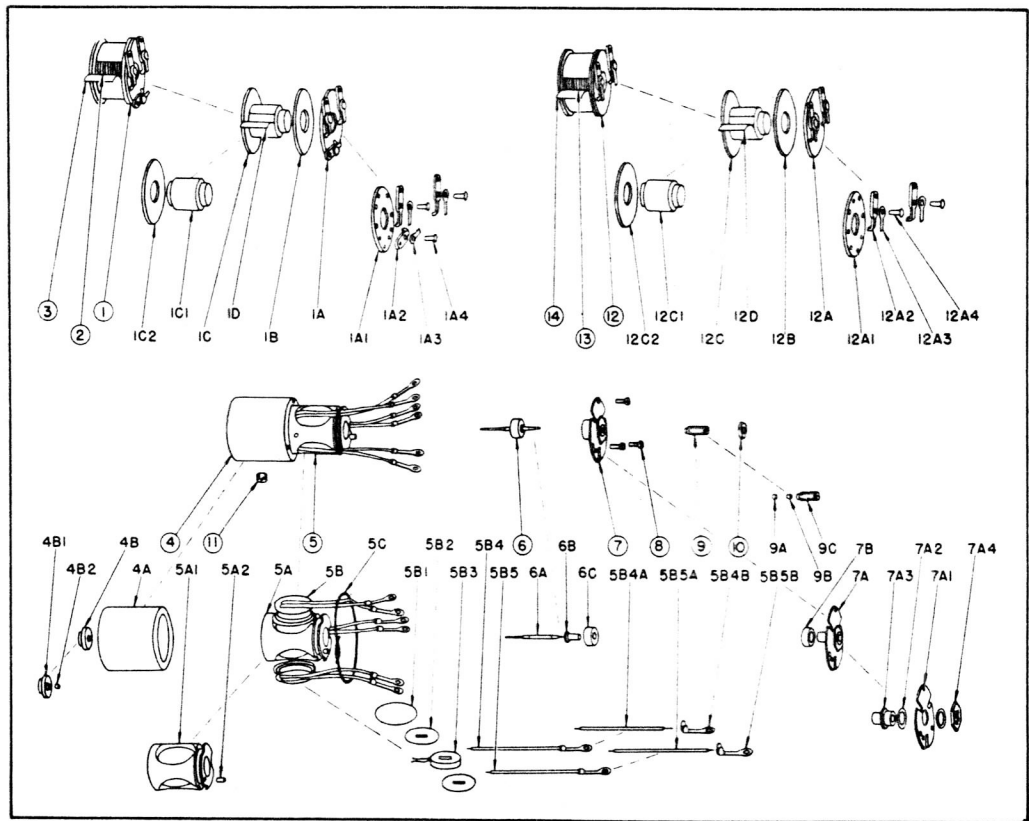


Figure 34—Exploded View of Mechanism and Resistors for EA-108-11C, -16 -19 and -26 Indicators

Section II
Group Assembly Parts List

EO 20-85BA-4

Fig. No.	Index No.	Part No.	Nomenclature								Units Per Assy
				1	2	3	4	5	6	7	
34	3	EA-7928	Tape—Insulating	x	x	x	x	x			1
33	9C	EA-7929	Lug—Solder	x	x	x	x	x			1
33	9D	EA-10267	Lug—Solder	x	x	x	x	x			2
33	9E	AN501B0-2	Screw, fil hd 0 80 x 1/8 in.	x	x	x	x	x			6
33	9F	EA-1562	Washer, Lock No. 6	x	x	x	x	x			2
33	9G	AN500B6-4	Screw, fil hd 6 32 x 1/4 in.	x	x	x	x	x			2
33	9H	*EA-10210A5	Mechanism Assembly	x	x	x	x	x			1
34	4	EA-10292-10	Case Assembly—Mechanism	x	x	x	x	x			1
34	4A	EA-10235-8	Case—Mechanism	x	x	x	x	x			1
34	4B	EA-10269	Holder Assembly—Jewel	x	x	x	x	x			1
34	4B1	EA-10287-1	Holder—Jewel	x	x	x	x	x			1
34	4B2	EA-10271	Jewel—Sapphire	x	x	x	x	x			1
34	5	EA-10293	Form Assembly—Coil	x	x	x	x	x			1
34	5A	EA-10297	Form Assembly—Pin & Coil	x	x	x	x	x			1
34	5A1	EA-10226	Form—Coil	x	x	x	x	x			1
34	5A2	EA-10288	Pin Coil form	x	x	x	x	x			1
34	5B	EA-10295	Winding Assembly—Coil	x	x	x	x	x			3
34	5B1	EA-10259	Insulator—Coil form	x	x	x	x	x			1
34	5B2	EA-10227	End—Coil	x	x	x	x	x			2
34	5B3	EA-7913-44	Wire—Copper	x	x	x	x	x			1
34	5B4	EA-7954-1	Lead Assembly	x	x	x	x	x			1
34	5B4A	EA-7948-7	Wire—White connection	x	x	x	x	x			1
34	5B4B	EA-10267	Lug—Solder	x	x	x	x	x			1
34	5B5	EA-7954-2	Lead Assembly	x	x	x	x	x			1
34	5B5A	EA-7947-7	Wire—Red connection	x	x	x	x	x			1
34	5B5B	EA-10267	Lug—Solder	x	x	x	x	x			1
34	5C	EA-7920	Cord—Waxed	x	x	x	x	x			1
34	6	EA-10209B-1	Rotor Assembly	x	x	x	x	x			1
34	6A	EA-10237	Shaft—Rotor	x	x	x	x	x			1
34	6B	EA-10249	Bushing—Rotor	x	x	x	x	x			1
34	6C	EA-10233A	Magnet—Rotor	x	x	x	x	x			1
34	7	EA-10220-1	Regulator Assembly	x	x	x	x	x			1
34	7A	EA-10257	Plate Assembly	x	x	x	x	x			1
34	7A1	EA-10366	Regulator	x	x	x	x	x			1
34	7A2	EA-10363	Washer—Friction	x	x	x	x	x			2
34	7A3	EA-10254-1	Plate—Bearing	x	x	x	x	x			1
34	7A4	EA-10365	Adjustment—Return	x	x	x	x	x			1
34	7B	EA-10368	Magnet—Return	x	x	x	x	x			1
34	8	AN501B0-2	Screw, fil hd 0 80 x 1/8 in.	x	x	x	x	x			3
34	9	EA-10394	Bearing Assembly—Rear	x	x	x	x	x			1
34	9A	EA-10371	Bearing—Ring jewel	x	x	x	x	x			1
34	9B	EA-10370	Bearing—End jewel	x	x	x	x	x			1
34	9C	EA-10373	Holder—Jewel, rear	x	x	x	x	x			1
34	10	EA-10260	Nut—Lock	x	x	x	x	x			1
34	11	EA-10223	Screw—Scale adjusting	x	x	x	x	x			AR
34	11	EA-10223A	Screw—Scale adjusting	x	x	x	x	x			AR
33	9J	*EA-10210B5	Mechanism Assembly	x	x	x	x	x			1
34	4	EA-10292-10	Case Assembly—Mechanism	x	x	x	x	x			1
34	4A	EA-10235-8	Case—Mechanism	x	x	x	x	x			1
34	4B	EA-10269	Holder Assembly—Jewel	x	x	x	x	x			1
34	4B1	EA-10287-1	Holder—Jewel	x	x	x	x	x			1
34	4B2	EA-10271	Jewel—Sapphire	x	x	x	x	x			1
34	5	EA-10293	Form Assembly—Coil	x	x	x	x	x			1
34	5A	EA-10297	Form Assembly—Pin & Coil	x	x	x	x	x			1
34	5A1	EA-10226	Form—Coil	x	x	x	x	x			1
34	5A2	EA-10288	Pin—Coil form	x	x	x	x	x			1
34	5B	EA-10295	Winding Assembly—Coil	x	x	x	x	x			3
34	5B1	EA-10259	Insulator—Coil form	x	x	x	x	x			1
34	5B2	EA-10227	End—Coil	x	x	x	x	x			2
34	5B3	EA-7913-44	Wire—Copper	x	x	x	x	x			1
34	5B4	EA-7954-1	Lead Assembly	x	x	x	x	x			1
34	5B4A	EA-7948-7	Wire—White connection	x	x	x	x	x			1
34	5B4B	EA-10267	Lug—Solder	x	x	x	x	x			1
34	5B5	EA-7954-2	Lead Assembly	x	x	x	x	x			1
34	5B5A	EA-7947-7	Wire—Red connection	x	x	x	x	x			1
34	5B5B	EA-10267	Lug—Solder	x	x	x	x	x			1
34	5C	EA-7920	Cord—Waxed	x	x	x	x	x			1

RESCINDED

EO 20-85BA-4

Section II
Group Assembly Parts List

Fig. No.	Index No.	Part No.	Nomenclature					Units Per Assy
				1	2	3	4	
34	6	EA-10209B-2	Rotor Assembly	x	x	x	x	1
34	6A	EA-10237	Shaft—Rotor	x	x	x	x	1
34	6B	EA-10249	Bushing—Rotor	x	x	x	x	1
34	6C	EA-10233A	Magnet—Rotor	x	x	x	x	1
34	7	EA-10220-1	Regulator Assembly	x	x	x	x	1
34	7A	EA-10257	Plate Assembly—Back	x	x	x	x	1
34	7A1	EA-10366	Regulator	x	x	x	x	1
34	7A2	EA-10363	Washer—Friction	x	x	x	x	2
34	7A3	EA-10254-1	Plate—Bearing	x	x	x	x	1
34	7A4	EA-10365	Adjustment—Return	x	x	x	x	1
34	7B	EA-10368	Magnet—Return	x	x	x	x	1
34	8	AN501B0-2	Screw, fil hd 0 80 x 1/8 in.	x	x	x	x	2
34	9	EA-10394	Bearing Assembly—Rear	x	x	x	x	1
34	9A	EA-10371	Bearing—Ring jewel	x	x	x	x	1
34	9B	EA-10370	Bearing—End jewel	x	x	x	x	1
34	9C	EA-10373	Holder—Jewel, rear	x	x	x	x	1
34	10	EA-10260	Nut—Lock	x	x	x	x	1
34	11	EA-10223	Screw—Scale adjusting	x	x	x	x	AR
34	11	EA-10223A	Screw—Scale adjusting	x	x	x	x	AR
33	9K	*EA10825	Insert	x	x	x	x	4
33	9L	EA-10812	Screw—Set	x	x	x	x	4
33	10	EA-10810B-2	Case Assembly	x	x	x	x	1
33	10A	EA-10824-1	Case	x	x	x	x	1
33	10B	EA-7937-4	Receptacle Assembly	x	x	x	x	1
33	10B1	AN3102-14S-2P	Receptacle	x	x	x	x	1
33	10B2	EA-7914-3	Wire—Blue connection	x	x	x	x	1
33	10B3	EA-7914-7	Wire—Blue connection	x	x	x	x	1
33	10B4	EA-7917-8	Wire—Green connection	x	x	x	x	1
33	10B5	EA-7916-6	Wire—Yellow connection	x	x	x	x	1
33	10B6	EA-7915-3	Wire—Red connection	x	x	x	x	1
33	10C	70401-2	Rivet	x	x	x	x	4
33	10D	*EA-10080-7	Resistor Assembly	x	x	x	x	1
34	12	EA-10094-3	Spool Assembly	x	x	x	x	1
34	12A	EA-10096-3	Plate Assembly—Top	x	x	x	x	1
34	12A1	EA-10060	Head	x	x	x	x	1
34	12A2	EA-10063	Lug	x	x	x	x	2
34	12A3	EA-10267-1	Lug—Solder	x	x	x	x	2
34	12A4	EA-10064-1	Eyelet	x	x	x	x	2
34	12B	EA-10060	Head	x	x	x	x	1
34	12C	EA-10093	Hub Assembly	x	x	x	x	1
34	12C1	EA-10062	Hub	x	x	x	x	1
34	12C2	EA-10060	Head	x	x	x	x	1
34	12D	EA-7928	Tape—Insulating	x	x	x	x	1
34	13	EA-7912-28	Wire—Nichrome	x	x	x	x	1
34	14	EA-7928	Tape—Insulating	x	x	x	x	1
33	10E	EA-10267	Lug—Solder	x	x	x	x	2
33	10F	AN501B0-2	Screw, fil hd 0 80 x 1/8 in.	x	x	x	x	2
33	10G	AN960B3	Washer	x	x	x	x	1
33	10H	AN510B3-5	Screw, fil hd 3 56 x 5/16 in.	x	x	x	x	1
33	10J	EA-1535	Washer—Lock	x	x	x	x	1
33	10K	AN345B3	Nut, hex 3 56	x	x	x	x	1
33	11	70558	Screw, FH 3 56 x 5/32 in.	x	x	x	x	4
33	12	EA-10285	Plate—Voltage	x	x	x	x	1
33	13	EA-12833	Plate—Name	x	x	x	x	1
33	13	NPA-108-26	Plate—Name				x	1
33	14	AN501B1-3	Screw, fil hd 1 72 x 3/16 in.	x	x	x	x	2

Section II
Group Assembly Parts List

Fig. No.	Index No.	Part No.	Nomenclature	EA-108-839F	EA-108-839R	Units Per Assy
		EA-108	Indicator			
35	1	EA-10891	Bezel Assembly	x	x	1
35	1A	EA-10836	Bezel	x	x	1
35	1B	*EA-10838	Glass	x	x	1
35	1C	EA-10819	Ring—Snap	x	x	1
35	2	AN501B0-3	Screw, fil hd 0 80 x 3/16 in.	x	x	8
35	3	*EA-10844	Gasket—Bezel	x	x	1
35	4	*EA-10890-1L	Pointer Assembly	x	x	2
35	4A	3992-1	Blank—Pointer	x	x	1
35	4B	EA-10146-1	Weight—Pointer	x	x	1
35	5	EA-12843-2	Stop Assembly—Pointer	x	x	2
35	5A	EA-12844-2	Holder—Pointer stop	x	x	1
35	5B	EA-12845	Sleeve—Pointer stop	x	x	1
35	6	EA-12843-1	Stop Assembly—Pointer	x	x	1
35	6A	EA-12844-1	Holder—Pointer stop	x	x	1
35	6B	EA-12845	Sleeve—Pointer stop	x	x	1
35	7	AN501B0-2	Screw, fil hd 0 80 x 1/8 in.	x	x	4
35	8	EA-10805-24	Dial	x		1
35	8	EA-10805-25	Dial		x	1
35	9	EA-10801C-1	Plate Assembly—Mounting	x	x	1
35	9A	EA-10802C	Plate Sub Assembly—Mounting	x	x	1
35	9A1	EA-10830-13	Plate—Mounting	x	x	1
35	9A2	EA-10040	Nut—Stop	x	x	4
35	9A3	EA-10811D-1	Bracket—Mechanism	x	x	1
35	9A4	AN505B6-4	Screw, FH 6 32 x 1/4 in.	x	x	1
35	9B	*EA-10080-15	Resistor Assembly	x	x	2
36	1	EA-10094-1	Spool Assembly	x	x	1
36	1A	EA-10096-1	Plate Assembly—Top	x	x	1
36	1A1	EA-10060	Head	x	x	1
36	1A2	EA-10063	Lug	x	x	3

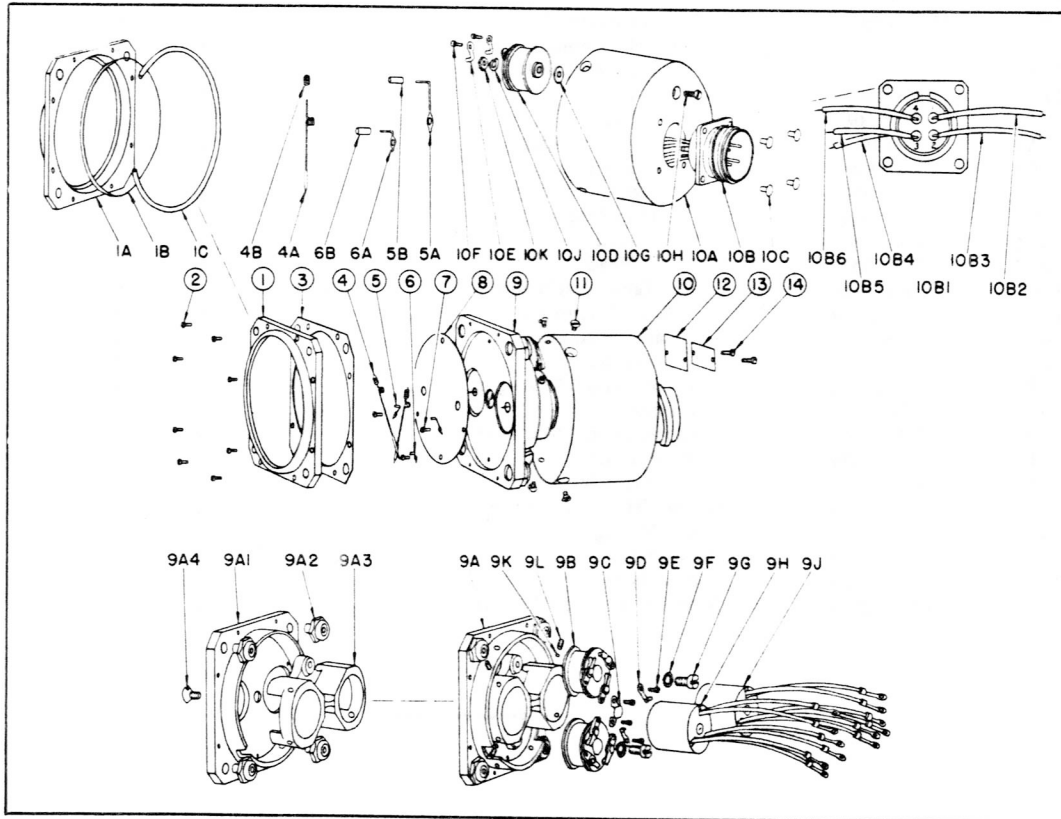


Figure 35—Exploded View of Main Assembly for EA-108-839F, and -839R Indicators

Fig. No.	Index No.	Part No.	Nomenclature	EA-108-839F		EA-108-839R		Units Per Assy
				1	2	3	4	
36	1A3	EA-10267-1	Lug—Solder		x		x	3
36	1A4	EA-10064-1	Eyelet		x		x	3
36	1B	EA-10060	Head		x		x	1
36	1C	EA-10093	Hub Assembly		x		x	1
36	1C1	EA-10062	Hub		x		x	1
36	1C2	EA-10060	Head		x		x	1
36	1D	EA-7928	Tape—Insulating		x		x	1
36	2	EA-7912-34	Wire—Nichrome		x		x	1
36	3	EA-7928	Tape—Insulating		x		x	1
35	9C	EA-7929	Lug—Solder		x		x	1
35	9D	EA-10267	Lug—Solder		x		x	2
35	9E	AN501B0-2	Screw, fil hd 0 80 x 1/8 in.		x		x	6
35	9F	EA-1562	Washer—Lock, No. 6		x		x	2
35	9G	AN500B6-4	Screw, fil hd 6 32 x 1/4 in.		x		x	2
35	9H	*EA-10210A5	Mechanism Assembly		x		x	1
36	4	EA-10292-10	Case Assembly—Mechanism		x		x	1
36	4A	EA-10235-8	Case—Mechanism		x		x	1
36	4B	EA-10269	Holder Assembly—Jewel		x		x	1
36	4B1	EA-10287-1	Holder—Jewel		x		x	1
36	4B2	EA-10271	Jewel—Sapphire		x		x	1
36	5	EA-10293	Form Assembly—Coil		x		x	1
36	5A	EA-10297	Form Assembly—Pin and Coil		x		x	1
36	5A1	EA-10226	Form—Coil		x		x	1
36	5A2	EA-10288	Pin—Coil form		x		x	1
36	5B	EA-10295	Winding Assembly—Coil		x		x	3
36	5B1	EA-10259	Insulator—Coil form		x		x	1
36	5B2	EA-10227	End—Coil		x		x	2
36	5B3	EA-7913-44	Wire—Copper		x		x	1
36	5B4	EA-7954-1	Lead Assembly		x		x	1
36	5B4A	EA-7948-7	Wire—White connection		x		x	1
36	5B4B	EA-10267	Lug—Solder		x		x	1

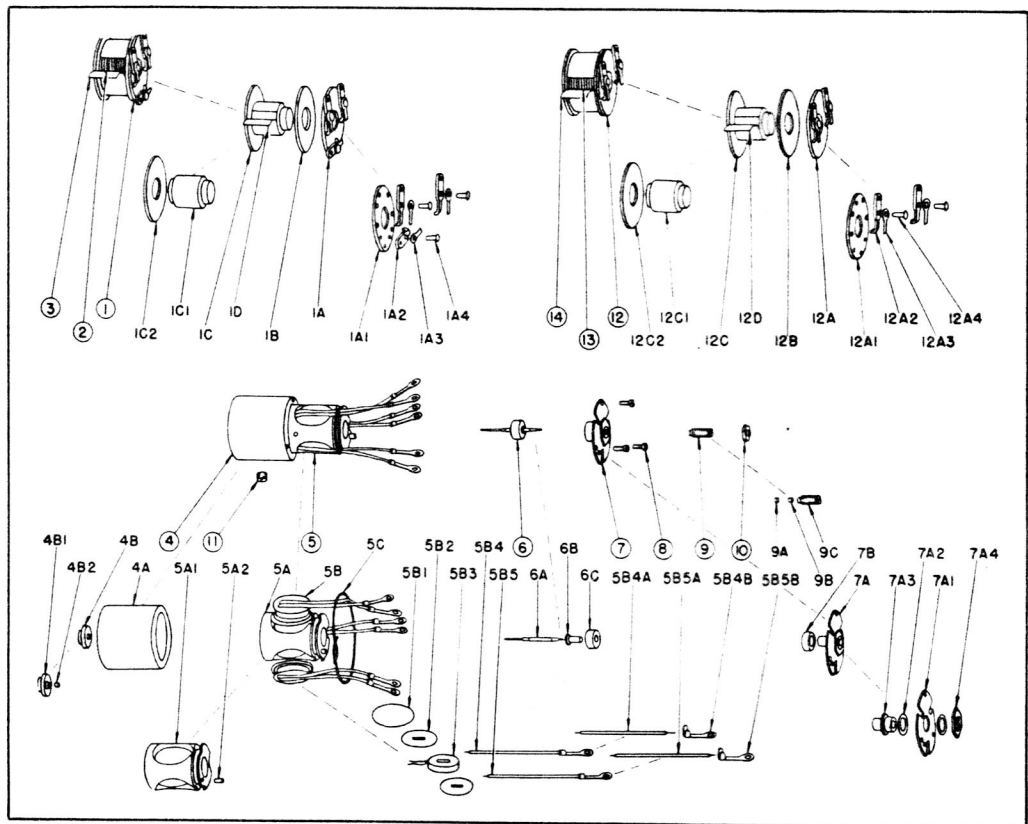


Figure 36—Exploded View of Mechanism and Resistors for EA-108-839F, and -839R Indicators

Section II
Group Assembly Parts List

EO 20-85BA-4

Fig. No.	Index No.	Part No.	Nomenclature							EA-108-839F	EA-108-839R	Units Per Assy
			1	2	3	4	5	6	7			
36	5B5	EA-7954-2								x	x	1
36	5B5A	EA-7947-7								x	x	1
36	5B5B	EA-1267								x	x	1
36	5C	EA-7920								x	x	1
36	6	EA-10209B-1								x	x	1
36	6A	EA-10237								x	x	1
36	6B	EA-10249								x	x	1
36	6C	EA-10233A								x	x	1
36	7	EA-10220-1								x	x	1
36	7A	EA-10257								x	x	1
36	7A1	EA-10366								x	x	1
36	7A2	EA-10363								x	x	2
36	7A3	EA-10254-1								x	x	1
36	7A4	EA-10365								x	x	1
36	7B	EA-10368								x	x	1
36	8	AN501B0-2								x	x	3
36	9	EA-10394								x	x	1
36	9A	EA-10371								x	x	1
36	9B	EA-10370								x	x	1
36	9C	EA-10373								x	x	1
36	10	EA-10260								x	x	1
36	11	EA-10223								x	x	AR
36	11	EA-10223A								x	x	AR
35	9J	*EA-10210B5								x	x	1
36	4	EA-10292-10								x	x	1
36	4A	EA-10235								x	x	1
36	4B	EA-10269								x	x	1
36	4B1	EA-10287-1								x	x	1
36	4B2	EA-10271								x	x	1
36	5	EA-10293								x	x	1
36	5A	EA-10297								x	x	1
36	5A1	EA-10226								x	x	1
36	5A2	EA-10288								x	x	1
36	5B	EA-10295								x	x	3
36	5B1	EA-10259								x	x	1
36	5B2	EA-10227								x	x	2
36	5B3	EA-7913-44								x	x	1
36	5B4	EA-7954-1								x	x	1
36	5B4A	EA-7948-7								x	x	1
36	5B4B	EA-10267								x	x	1
36	5B5	EA-7954-2								x	x	1
36	5B5A	EA-7947-7								x	x	1
36	5B5B	EA-10267								x	x	1
36	5C	EA-7920								x	x	1
36	6	EA-10209B2								x	x	1
36	6A	EA-10237								x	x	1
36	6B	EA-10249								x	x	1
36	6C	EA-10233A								x	x	1
36	7	EA-10220-1								x	x	1
36	7A	EA-10257								x	x	1
36	7A1	EA-10366								x	x	1
36	7A2	EA-10363								x	x	2
36	7A3	EA-10254-1								x	x	1
36	7A4	EA-10365								x	x	1
36	7B	EA-10368								x	x	1
36	8	AN501B0-2								x	x	3
36	9	EA-10394								x	x	1
36	9A	EA-10371								x	x	1
36	9B	EA-10370								x	x	1
36	9C	EA-10373								x	x	1
36	10	EA-10260								x	x	1
36	11	EA-10223								x	x	AR
36	11	EA-10223A								x	x	AR
35	9K	*EA-10825								x	x	4
35	9L	EA-10812								x	x	4
35	10	EA-10810B-13								x	x	1
35	10A	EA-10824-3								x	x	1
35	10B	EA-7943-2								x	x	1
35	10B1	WK-4-32S								x	x	1
35	10B2	EA-7917-8								x	x	1

Fig. No.	Index No.	Part No.	Nomenclature	Units	
				EA-108-839F	EA-108-839R
35	10B3	EA-7916-6	Wire—Yellow construction	x	x
35	10B4	EA-7914-3	Wire—Blue connection	x	x
35	10B5	EA-7914-7	Wire—Blue connection	x	x
35	10B6	EA-7915-3	Wire—Red connection	x	x
35	10C	70401-2	Rivet	x	x
35	10D	*EA-10080-7	Resistor Assembly	x	x
36	12	EA-10094-3	Spool Assembly	x	x
36	12A	EA-10096-3	Plate Assembly—Top	x	x
36	12A1	EA-10060	Head	x	x
36	12A2	EA-10063	Lug	x	x
36	12A3	EA-10267-1	Lug—Solder	x	x
36	12A4	EA-10064-1	Eyelet	x	x
36	12B	EA-10060	Head	x	x
36	12C	EA-10093	Hub Assembly	x	x
36	12C1	EA-10062	Hub	x	x
36	12C2	EA-10060	Head	x	x
36	12D	EA-7928	Tape—Insulating	x	x
36	13	EA-7912-28	Wire—Nichrome	x	x
36	14	EA-7928	Tape—Insulating	x	x
35	10E	EA-10267	Lug—Solder	x	x
35	10F	AN501B0-2	Screw, fil hd 0 80 x 1/8 in.	x	x
35	10G	AN960B3	Washer	x	x
35	10H	AN510B3-5	Screw, fil hd 3 56 x 5/16 in.	x	x
35	10J	EA-1535	Washer—Lock	x	x
35	10K	AN345B3	Nut, hex 3 56	x	x
35	11	70558	Screw, FH 3 56 x 5/32 in.	x	x
35	12	EA-10285	Plate—Voltage	x	x
35	13	NPA-108-839F	Plate—Name	x	x
35	13	NPA-108-839R	Plate—Name	x	x
35	14	AN501B1-3	Screw, fil hd 1 72 x 3/16 in.	x	x

Fig. No.	Index No.	Part No.	Nomenclature	Units	
				EA-108W-17	EA-108W-31
		EA-108W	Indicator	x	x
37	1	EA-10891	Bezel Assembly	x	x
37	1A	EA-10836	Bezel	x	x
37	1B	*EA-10838	Glass	x	x
37	1C	EA-10819	Ring—Snap	x	x
37	2	AN501B0-3	Screw, fil hd 0 80 x 3/16 in.	x	x
37	3	*EA-10844	Gasket—Bezel	x	x
37	4	*EA-10890-1Y	Pointer Assembly	x	x
37	4A	EA-10146-1	Blank—Pointer	x	x
37	4B	3992-1	Weight—Pointer	x	x
37	5	EA-12843-2	Stop Assembly—Pointer	x	x
37	5A	EA-12844-2	Holder—Pointer stop	x	x
37	5B	EA-12845	Sleeve—Pointer stop	x	x
37	6	EA-12843-1	Stop Assembly—Pointer	x	x
37	6A	EA-12844-1	Holder—Pointer stop	x	x
37	6B	EA-12845	Sleeve—Pointer stop	x	x
37	7	AN501B0-2	Screw, fil hd 0 80 x 1/8 in.	x	x
37	8	EA-10805-17	Dial	x	x
37	8	EA-10805-31	Dial	x	x
37	9	70315	Lamp—Warning Light	x	x
37	10	EA-10801D3	Plate Assembly—Mounting	x	x
37	10A	EA-14802C	Plate Sub Assembly—Mounting	x	x
37	10A1	EA-10830-16	Plate—Mounting	x	x
37	10A2	EA-10040	Nut—Stop	x	x
37	10A3	EA-10811D1	Bracket—Mechanism	x	x
37	10A4	AN505B6-4	Screw, FH 6 32 x 1/4 in.	x	x
37	10A5	EA-192	Light Assembly—RH Warning	x	x
39	1	EA-19201-1	Housing Assembly—RH	x	x
39	1A	EA-19211-1	Housing	x	x
39	1B	EA-19219	Bushing	x	x
39	2	AN500B2-6	Screw, fil hd 2 56 x 3/8 in.	x	x
39	3	EA-10217	Button—Push	x	x

Section II
Group Assembly Parts List

EO 20-85BA-4

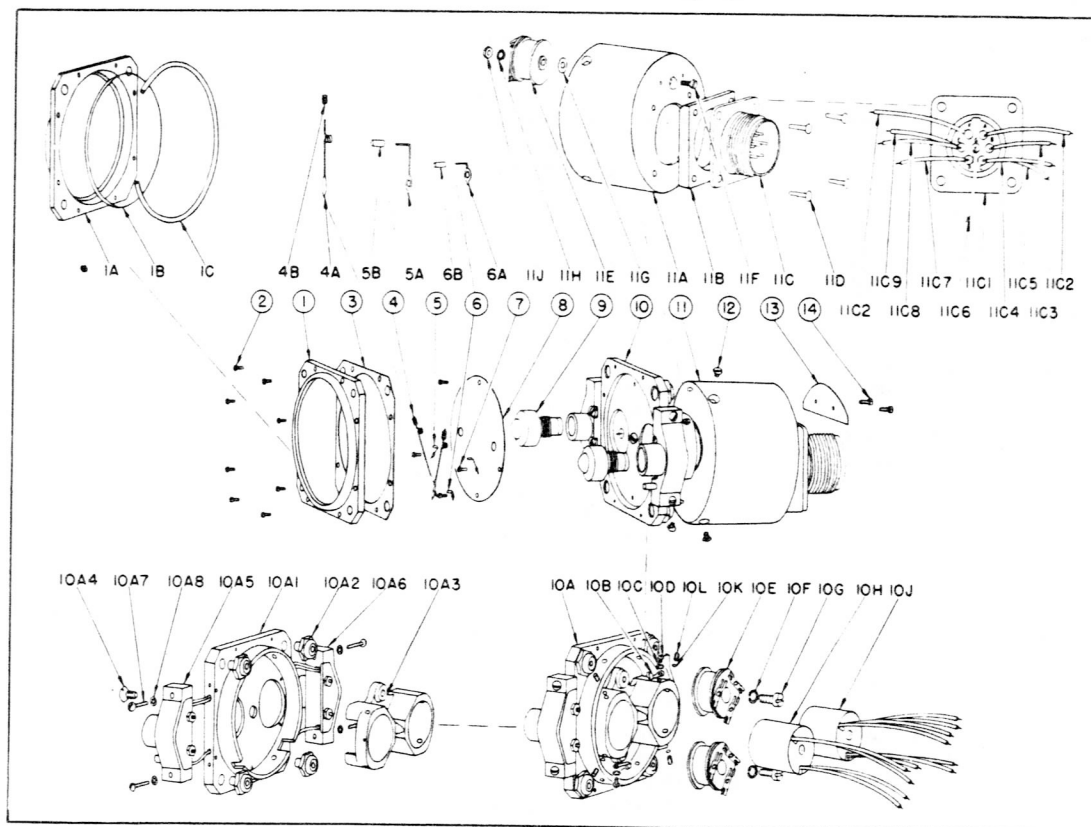


Figure 37—Exploded View of Main Assembly
for EA-108W-17, and -31 Indicators

Fig. No.	Index No.	Part No.	Nomenclature	EA-108W-17	EA-108W-31	Units Per Assy
39	4	EA-19203	Contact Assembly—Push button	x	x	1
39	4A	EA-19212	Contact—Push button	x	x	1
39	4B	EA-7948-6	Wire—White connection	x	x	1
39	5	EA-19213	Spacer—Contact	x	x	2
39	6	EA-19204	Contact Assembly—Lamp	x	x	1
39	6A	EA-19214	Contact—Lamp	x	x	1
39	6B	EA-7947-6	Wire—Red connection	x	x	1
39	7	EA-19215	Spacer—Pressure	x	x	1
39	8	EA-19216	Washer—Spring	x	x	2
39	9	EA-19292-1	Plate Assembly—Back	x	x	1
39	9A	EA-19221-1	Plate—Back	x	x	1
39	9B	EA-19220	Contact—Ground	x	x	1
39	9C	EA-7945-6	Wire—Black connection	x	x	1
39	10	EA-12867	Washer—Lock	x	x	2
39	11	AN340B2	Nut, hex 2 5/6	x	x	2
37	10A6	EA-193	Light Assembly—LH Warning	x	x	1
39	12	EA-19201-2	Housing Assembly	x	x	1
39	12A	EA-19211-2	Housing	x	x	1
39	12B	EA-19219	Bushing	x	x	1
39	13	AN500B2-6	Screw, fil hd 2 5/6 x 3/8 in.	x	x	2
39	14	EA-19217	Button—Push	x	x	1
39	15	19203	Contact Assembly—Push Button	x	x	1
39	15A	EA-19212	Contact—Push button	x	x	1
39	15B	EA-7948-6	Wire—White connection	x	x	1
39	16	EA-19213	Spacer—Contact	x	x	2
39	17	EA-19204	Contact Assembly—Lamp	x	x	1
39	17A	EA-19214	Contact—Lamp	x	x	1
39	17B	EA-7947-6	Wire—Red connection	x	x	1
39	18	EA-19215	Spacer—Pressure	x	x	1
39	19	EA-19216	Washer—Spring	x	x	1
39	20	EA-19202-2	Plate Assembly—Back	x	x	1
39	20A	EA-19221-2	Plate—Back	x	x	1
39	20B	EA-19220	Contact—Ground	x	x	1

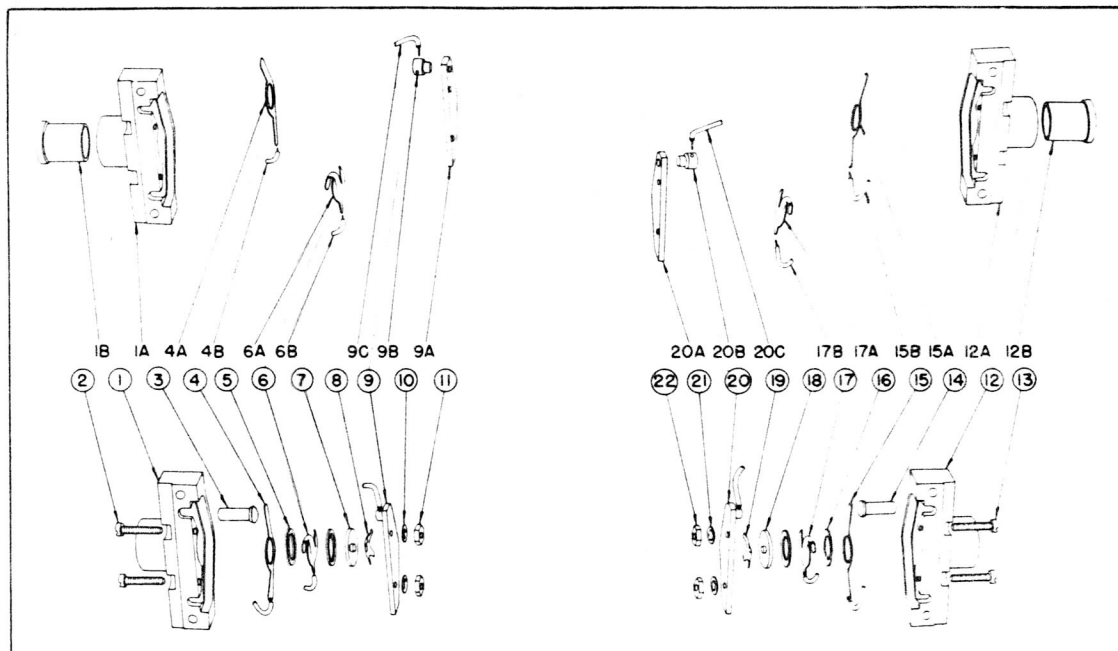


Figure 38—Exploded View of Light Assembly for EA-108W-17, and -31 Indicators

Fig. No.	Index No.	Part No.	Nomenclature	1	2	3	4	5	6	7	EA-108W-17	EA-108W-31	Units Per Assy
39	20C	EA-7945-6	Wire—Black connection								x	x	1
39	21	EA-12867	Washer—Lock								x	x	2
39	22	AN340B2	Nut, hex 2 56								x	x	2
37	10A7	AN515B2-8	Screw, RH 2 56 x 1/2 in.								x	x	4
37	10A8	EA-12867	Washer—Lock								x	x	4
37	10B	EA-10267	Lug—Solder								x	x	2
37	10C	EA-12867	Washer—Lock								x	x	2
37	10D	AN515B2-2	Screw, RH 2 56 x 1/8 in.								x	x	2
37	10E	*EA10084-15	Resistor Assembly								x	x	2
38	1	EA-10018-1	Spool Assembly								x	x	1
38	1A	EA-10019-1	Plate Assembly—Top								x	x	1
38	1A1	EA-10060	Head								x	x	1
38	1A2	EA-10067	Lug—Terminal								x	x	3
38	1A3	EA-10064	Eyelet								x	x	3
38	1B	EA-10060	Head								x	x	1
38	1C	EA-10093	Hub Assembly								x	x	1
38	1C1	EA-10062	Hub								x	x	1
38	1C2	EA-10060	Head								x	x	1
38	1D	EA-7928	Tape—Insulating								x	x	1
38	2	EA-7912-34	Wire—Nichrome								x	x	1
38	3	EA-7928	Tape—Insulating								x	x	1
37	10F	EA-1562	Washer—Lock No. 6								x	x	2
37	10G	AN500B6-4	Screw, fil hd 6 32 x 1/4 in.								x	x	2
37	10H	*EA-10210A6	Mechanism Assembly								x	x	1
38	4	EA-10289	Shell								x	x	1
38	5	EA-10374	Cup—Insulating								x	x	1
38	6	EA-10390	Form Assembly—Coil								x	x	1
38	6A	EA-10360	Form—Coil								x	x	1
38	6B	EA-10395	Bearing Assembly—Rear								x	x	1
38	6B1	EA-10372	Holder—Jewel								x	x	1
38	6B2	EA-10371	Jewel—Sapphire								x	x	1
38	7	EA-10391	Winding Assembly—Coil								x	x	3
38	7A	EA-10361	Core—Coil								x	x	1
38	7B	EA-10362	End—Coil								x	x	2
38	7C	EA-7913-42	Wire—Copper								x	x	1
38	7D	EA-7947-11	Wire—Red connection								x	x	1
38	7E	EA-7948-11	Wire—Red connection								x	x	1
38	7F	EA-10380	Insulation—Coil form								x	x	1
38	8	EA-10209B5	Rotor Assembly								x	x	1

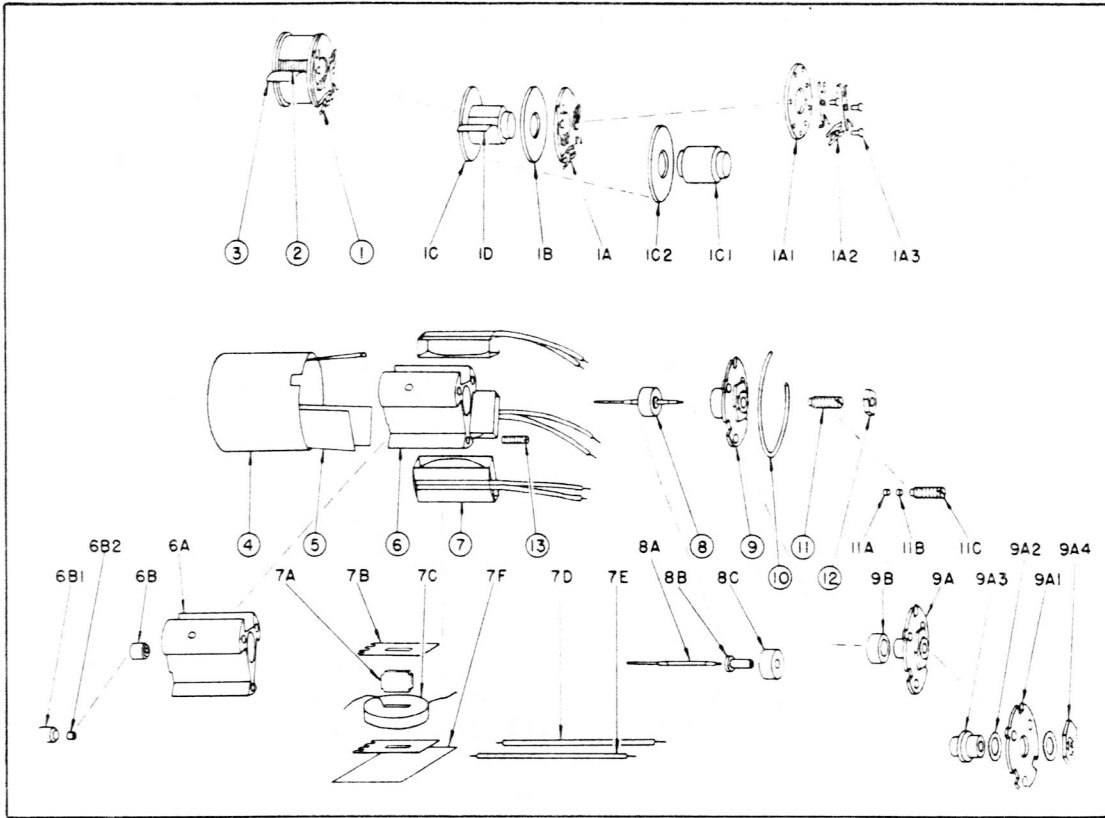


Figure 39—Exploded View of Mechanism and Resistor
for EA-108W-17, and -31 Indicators

Fig. No.	Index No.	Part No.	Nomenclature	EA-108W-17	EA-108W-31	Units Per Assy
38	8A	EA-10237	Shaft—Rotor	x	x	1
38	8B	EA-10249	Bushing—Rotor	x	x	1
38	8C	EA-10233A	Magnet—Rotor	x	x	1
38	9	EA-10393	Magnet Assembly—Return	x	x	1
38	9A	EA-10392	Plate Assembly—Back	x	x	1
38	9A1	EA-10364	Plate—Back	x	x	1
38	9A2	EA-10363	Washer—Friction	x	x	2
38	9A3	EA-10366	Regulator	x	x	1
38	9A4	EA-10365	Adjustment—Return	x	x	1
38	9B	EA-10368	Magnet—Return	x	x	1
38	10	EA-10367	Ring—Snap	x	x	1
38	11	EA-10394	Bearing Assembly	x	x	1
38	11A	EA-10371	Bearing—Ring jewel	x	x	1
38	11B	EA-10370	Bearing—End jewel	x	x	1
38	11C	EA-10373	Holder—Jewel, rear	x	x	1
38	12	EA-10260	Nut—Lock	x	x	1
38	13	EA-10229	Screw—Adjusting	x	x	AR
37	10J	*EA10210B6	Mechanism Assembly	x	x	1
38	4	EA-10289	Shell	x	x	1
38	5	EA-10374	Cup—Insulating	x	x	1
38	6	EA-10390	Form Assembly—Coil	x	x	1
38	6A	EA-10360	Form—Coil	x	x	1
38	6B	EA-10395	Bearing Assembly—Rear	x	x	1
38	6B1	EA-10372	Holder—Jewel	x	x	1
38	6B2	EA-10371	Jewel—Sapphire	x	x	1
38	7	EA-10391	Winding Assembly—Coil	x	x	3
38	7A	EA-10361	Core—Coil	x	x	1
38	7B	EA-10362	End—Coil	x	x	2
38	7C	EA-7913-42	Wire—Copper	x	x	1
38	7D	EA-7947-11	Wire—Red connection	x	x	1
38	7E	EA-7948-11	Wire—Red connection	x	x	1
38	7F	EA-10380	Insulation—Coil form	x	x	1

RESCINDED

EO 20-85BA-4

Section II Group Assembly Parts List

Fig. No.	Index No.	Part No.	Nomenclature							EA-108W-17	EA-108W-31	Units Per Assy
			1	2	3	4	5	6	7			
38	8	EA-10209B6								x	x	1
38	8A	EA-10237								x	x	1
38	8B	EA-10249								x	x	1
38	8C	EA-10233A								x	x	1
38	9	EA-10393								x	x	1
38	9A	EA-10392								x	x	1
38	9A1	EA-10364								x	x	1
38	9A2	EA-10363								x	x	2
38	9A3	EA-10366								x	x	1
38	9A4	EA-10365								x	x	1
38	9B	EA-10368								x	x	1
38	10	EA-10367								x	x	1
38	11	EA-10394								x	x	1
38	11A	EA-10371								x	x	1
38	11B	EA-10370								x	x	1
38	11C	EA-10373								x	x	1
38	12	EA-10260								x	x	1
38	13	EA-10229								x	x	AR
37	10K	*EA-10825								x	x	4
37	10L	EA-10812								x	x	4
37	11	EA-10810B16								x	x	1
37	11A	EA-10824-2								x	x	1
37	11B	EA-10085-1								x	x	1
37	11C	EA-7940-6								x	x	1
37	11C1	AN3102-16S-1P								x	x	1
37	11C2	EA-7918-5								x	x	2
37	11C3	EA-7917-8								x	x	1
37	11C4	EA-7914-3								x	x	1
37	11C5	EA-7914-8								x	x	1
37	11C6	EA-7916-6								x	x	1
37	11C7	EA-7919-3								x	x	1
37	11C8	EA-7919-6								x	x	1
37	11C9	EA-7915-3								x	x	1
37	11D	70401-2								x	x	4
37	11E	*EA-10079-1								x	x	1
38	1	EA-10018-1								x	x	1
38	1A	EA-10019-1								x	x	1
38	1A1	EA-10060								x	x	1
38	1A2	EA-10067								x	x	3
38	1A3	EA-10064								x	x	3
38	1B	EA-10060								x	x	1
38	1C	EA-10093								x	x	1
38	1C1	EA-10062								x	x	1
38	1C2	EA-10060								x	x	1
38	1D	EA-7928								x	x	1
38	2	EA-7912-32								x	x	1
38	3	EA-7928								x	x	1
37	11F	AN510B3-5								x	x	1
37	11G	AN960B3								x	x	1
37	11H	EA-1535								x	x	1
37	11J	AN345B3								x	x	1
37	12	70558								x	x	4
37	13	NPB-108W-17								x		1
37	13	NPB-108W-31									x	1
37	14	AN501B1-3								x	x	2

Section II
Group Assembly Parts List

EO 20-85BA-4

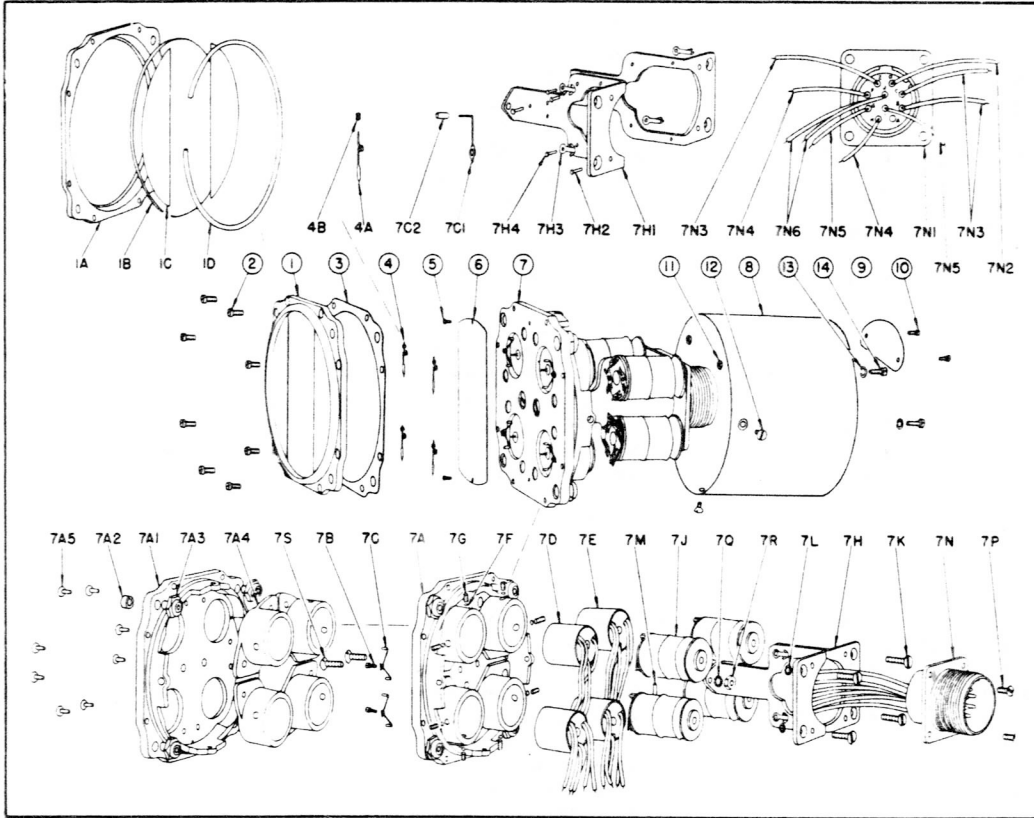


Figure 40—Exploded View of Main Assembly for
EA-109-1, -3 -4 and -12 Indicators

Fig. No.	Index No.	Part No.	Nomenclature	1	2	3	4	5	6	7	EA-109-1	EA-109-3	EA-109-4	EA-109-12	Units Per Assy
		EA-109	Indicator								x	x	x	x	1
40	1	EA-10191-3	Bezel Assembly								x	x	x	x	1
40	1A	EA-10136	Bezel								x	x	x	x	1
40	1B	*EA-10138	Glass								x	x	x	x	1
40	1C	EA-1433-1	Shield								x	x	x	x	2
40	1D	EA-10119	Ring—Snap								x	x	x	x	1
40	2	EA-10166	Screw								x	x	x	x	8
40	3	*EA-10443	Gasket—Bezel								x	x	x	x	1
40	4	*EA-10890-3Y	Pointer Assembly								x	x	x	x	4
40	4A	3992-3	Blank—Pointer								x	x	x	x	1
40	4B	EA-10146-3	Weight—Pointer								x	x	x	x	1
40	5	AN501B0-2	Screw, fil hd 0 80 x 1/8 in.								x	x	x	x	2
40	6	EA-10905-1	Dial								x				1
40	6	EA-10905-3	Dial									x			1
40	6	EA-10905-4	Dial										x		1
40	6	EA-10905-12	Dial											x	1
40	7	EA-10901D-1	Plate Assembly—Mounting								x	x	x	x	1
40	7A	EA-10902C-1	Plate Sub Assembly—Mounting								x	x	x	x	1
40	7A1	EA-10115A-22	Plate—Mounting								x	x	x	x	1
40	7A2	EA-10416	Insert								x	x	x	x	1
40	7A3	EA-10040	Nut—Stop								x	x	x	x	4
40	7A4	EA-10075-4	Adapter—Mechanism								x	x	x	x	4
40	7A5	70400-1	Rivet								x	x	x	x	8
40	7B	EA-12843-5	Stop Assembly—Pointer								x	x	x	x	8
40	7B1	EA-12844-4	Holder—Pointer stop								x	x	x	x	1
40	7B2	EA-12845	Sleeve—Pointer stop								x	x	x	x	1
40	7C	AN501B0-2	Screw, fil hd 0 80 x 1/8 in.								x	x	x	x	4
40	7D	*EA-10210A-6	Mechanism Assembly								x	x	x	x	2
41	6	EA-10289	Shell								x	x	x	x	1
41	7	EA-10374	Cup—Insulating								x	x	x	x	1

RESCINDED

EO 20-85BA-4

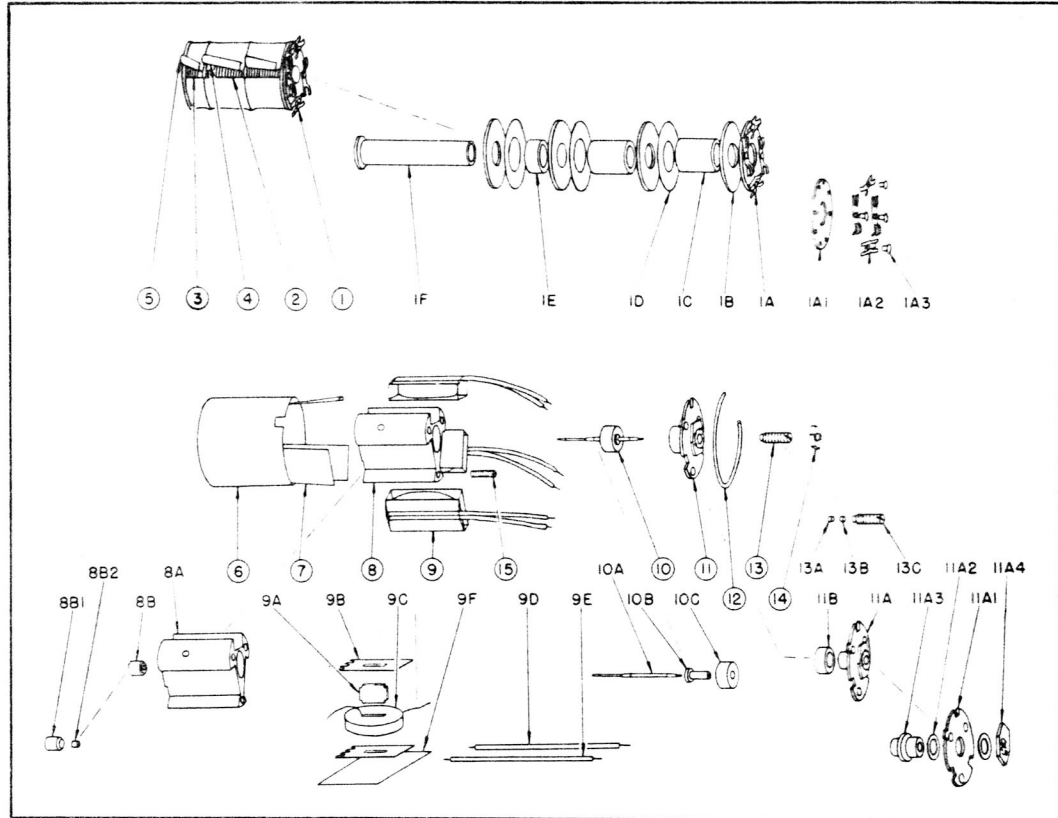


Figure 41—Exploded View of Mechanism and Resistor for EA-109-1, -3 -4 and -12 Indicators

Fig. No.	Index No.	Part No.	Nomenclature							EA-109-1	EA-109-3	EA-109-4	EA-109-12	Units Per Assy	
			1	2	3	4	5	6	7						
41	8	EA-10390									x	x	x	x	1
41	8A	EA-10360									x	x	x	x	1
41	8B	EA-10395									x	x	x	x	1
41	8B1	EA-10372									x	x	x	x	1
41	8B2	EA-10371									x	x	x	x	1
41	9	EA-10391									x	x	x	x	3
41	9A	EA-10361									x	x	x	x	1
41	9B	EA-10362									x	x	x	x	2
41	9C	EA-7913-42									x	x	x	x	1
41	9D	EA-7947-11									x	x	x	x	1
41	9E	EA-7948-11									x	x	x	x	1
41	9F	EA-10380									x	x	x	x	1
41	10	EA-10209B-5									x	x	x	x	1
41	10A	EA-10237									x	x	x	x	1
41	10B	EA-10249									x	x	x	x	1
41	10C	EA-10233A									x	x	x	x	1
41	11	EA-10393									x	x	x	x	1
41	11A	EA-10392									x	x	x	x	1
41	11A1	EA-10364									x	x	x	x	1
41	11A2	EA-10363									x	x	x	x	2
41	11A3	EA-10366									x	x	x	x	1
41	11A4	EA-10365									x	x	x	x	1
41	11B	EA-10368									x	x	x	x	1
41	12	EA-10367									x	x	x	x	1
41	13	EA-10394									x	x	x	x	1
41	13A	EA-10371									x	x	x	x	1
41	13B	EA-10370									x	x	x	x	1
41	13C	EA-10373									x	x	x	x	1
41	14	EA-10260									x	x	x	x	1
41	15	EA-10229									x	x	x	x	AR

Section II
Group Assembly Parts List

EO 20-85BA-4

Fig. No.	Index No.	Part No.	Nomenclature	1 2 3 4 5 6 7							Units Per Assy
				EA-109-1	EA-109-3	EA-109-4	EA-109-12				
40	7E	*EA-10210B-6	Mechanism Assembly	x	x	x	x				2
41	6	EA-10289	Shell	x	x	x	x				1
41	7	EA-10374	Cup—Insulating	x	x	x	x				1
41	8	EA-10390	Form Assembly—Coil	x	x	x	x				1
41	8A	EA-10360	Form—Coil	x	x	x	x				1
41	8B	EA-10395	Bearing Assembly	x	x	x	x				1
41	8B1	EA-10372	Holder—Jewel	x	x	x	x				1
41	8B2	EA-10371	Jewel—Sapphire	x	x	x	x				1
41	9	EA-10391	Winding Assembly—Coil	x	x	x	x				3
41	9A	EA-10361	Core—Coil	x	x	x	x				1
41	9B	EA-10362	End—Coil	x	x	x	x				2
41	9C	EA-7913-42	Wire—Copper	x	x	x	x				1
41	9D	EA-7947-11	Wire—Red connection	x	x	x	x				1
41	9E	EA-7948-11	Wire—White connection	x	x	x	x				1
41	9F	EA-10380	Insulation—Coil form	x	x	x	x				1
41	10	EA-10209B-6	Rotor Assembly	x	x	x	x				1
41	10A	EA-10237	Shaft—Rotor	x	x	x	x				1
41	10B	EA-10249	Bushing—Rotor	x	x	x	x				1
41	10C	EA-10233A	Magnet—Rotor	x	x	x	x				1
41	11	EA-10393	Magnet Assembly—Return	x	x	x	x				1
41	11A	EA-10392	Plate Assembly—Back	x	x	x	x				1
41	11A1	EA-10364	Plate—Back	x	x	x	x				1
41	11A2	EA-10363	Washer—Friction	x	x	x	x				2
41	11A3	EA-10366	Regulator	x	x	x	x				1
41	11A4	EA-10365	Adjustment—Return	x	x	x	x				1
41	11B	EA-10368	Magnet—Return	x	x	x	x				1
41	12	EA-10367	Ring—Snap	x	x	x	x				1
41	13	EA-10394	Bearing Assembly—Rear	x	x	x	x				1
41	13A	EA-10371	Bearing—Ring jewel	x	x	x	x				1
41	13B	EA-10370	Bearing—End jewel	x	x	x	x				1
41	13C	EA-10373	Holder—Jewel, rear	x	x	x	x				1
41	14	EA-10260	Nut—Lock	x	x	x	x				1
41	15	EA-10229	Screw—Adjusting	x	x	x	x				AR
40	7F	*EA-10825	Insert	x	x	x	x				8
40	7G	EA-10812	Screw—Set	x	x	x	x				8
40	7H	EA-14011-6	Bracket—Assembly	x	x	x	x				1
40	7H1	EA-14011	Bracket	x	x	x	x				2
40	7H2	AN430-2-4	Rivet	x	x	x	x				3
40	7H3	EA-10267	Lug—Solder	x	x	x	x				4
40	7H4	AN430-2-5	Rivet	x	x	x	x				2
40	7J	*EA-10083-2	Resistor Assembly	x	x	x	x				4
41	1	EA-14010	Spool Assembly	x	x	x	x				1
41	1A	EA-10019-4	Plate Assembly—Top	x	x	x	x				1
41	1A1	EA-10060	Head	x	x	x	x				1
41	1A2	EA-10067	Lug—Terminal	x	x	x	x				4
41	1A3	EA-10064	Eyelet	x	x	x	x				4
41	1B	EA-10060	Head	x	x	x	x				4
41	1C	EA-14021-1	Spacer	x	x	x	x				2
41	1D	EA-14022	Washer—Insulating	x	x	x	x				3
41	1E	EA-14021-2	Spacer	x	x	x	x				1
41	1F	EA-14020	Core—Coil	x	x	x	x				1
41	2	EA-7912-30	Wire—Nichrome	x	x	x	x				2
41	3	EA-7912-34	Wire—Nichrome	x	x	x	x				1
41	4	EA-7950	Tape—Insulating	x	x	x	x				2
41	5	EA-7949	Tape—Insulating	x	x	x	x				1
40	7K	AN505B6-6	Screw, FH 6 32 x 3/8 in.	x	x	x	x				4
40	7L	EA-1562	Washer—Lock, No. 6	x	x	x	x				4
40	7M	EA-7915-5	Wire—Red connection	x	x	x	x				2
40	7N	EA-7941-1	Receptacle Assembly	x	x	x	x				1
40	7N1	EA-17013-6	Receptacle Assembly	x	x	x	x				1
40	7N2	EA-7917-6	Wire—Green connection	x	x	x	x				2
40	7N3	EA-7914-6	Wire—Blue connection	x	x	x	x				2
40	7N4	EA-7916-6	Wire—Yellow connection	x	x	x	x				2
40	7N5	EA-7919-6	Wire—White connection	x	x	x	x				2
40	7N6	EA-7915-6	Wire—Red connection	x	x	x	x				2
40	7P	AN510B4-3	Screw, FH 4 48 x 3/16 in.	x	x	x	x				2
40	7Q	EA-1562	Washer—Lock	x	x	x	x				2
40	7R	EA-47012	Nut	x	x	x	x				2

RESCINDED

Fig. No.	Index No.	Part No.	Nomenclature					Units Per Assy
				1	2	3	4	
40	7S	AN505B6-6	Screw, FH 6 32 x 3/8 in.					2
40	8	EA-15024-6	Case	x	x	x	x	1
40	9	NPC-109-1	Plate—Name	x				1
40	9	NPC-109-3	Plate—Name		x			1
40	9	NPC-109-4	Plate—Name					1
40	9	NPC-109-12	Plate—Name			x		1
40	10	AN501B1-3	Screw, fil hd 1 72 x 1/8 in.	x	x	x	x	2
40	11	AN345B1	Nut, hex 1 72	x	x	x	x	2
40	12	70558	Screw, FH 356 x 5/32 in.	x	x	x	x	4
40	13	EA-1535	Washer—Lock	x	x	x	x	2
40	14	AN501B4-5	Screw, fil hd 4 48 x 5/16 in.	x	x	x	x	2

Fig. No.	Index No.	Part No.	Nomenclature					Units Per Assy
				1	2	3	4	
		EA-111	Indicator					
42	1	EA-10191-3	Bezel Assembly					1
42	1A	EA-10136	Bezel					1
42	1B	*EA-10138	Glass					1
42	1C	EA-14333-1	Shield					1
42	1D	EA-10119	Ring—Snap					2
42	2	EA-10166	Screw					1
42	3	*EA-10443	Gasket—Bezel					8
42	4	*EA-10890-3Y	Pointer Assembly					1
42	4A	3992-3	Blank—Pointer					3
42	4B	EA-10146-3	Weight—Pointer					1
42	5	AN501B0-2	Screw, fil hd 0 80 x 1/8 in.					1
42	6	EA-11105-1	Dial					2
42	7	EA-11101-C1	Plate Assembly					1
42	7A	EA-11102C-1	Plate Sub Assembly—Mounting					1
42	7A1	EA-10115A-24	Plate—Mounting					1
42	7A2	EA-10416	Insert					1
42	7A3	EA-10040	Nut—Stop					1
42	7A4	EA-10075-4	Adapter—Mechanism					4
42	7A5	70400-1	Rivet					3
42	7B	EA-12843-5	Stop Assembly—Pointer					6
42	7B1	EA-12844-4	Holder—Pointer stop					6
42	7B2	EA-12845	Sleeve—Pointer stop					1
42	7C	AN501B0-2	Screw, fil hd 0 80 x 1/8 in.					1
42	7D	*EA-10210A5	Mechanism Assembly					6
43	13	EA-10292-10	Case Assembly—Mechanism					2
43	13A	EA-10235-8	Case—Mechanism					1
43	13B	EA-10269	Holder Assembly—Jewel					1
43	13B1	EA-10287-1	Holder—Jewel					1
43	13B2	EA-10271	Jewel—Sapphire					1
43	14	EA-10293	Form Assembly—Coil					1
43	14A	EA-10297	Form Assembly—Pin & Coil					1
43	14A1	EA-10226	Form—Coil					1
43	14A2	EA-10288	Pin—Coil form					1
43	14B	EA-10295	Winding Assembly—Coil					1
43	14B1	EA-10259	Insulator—Coil form					3
43	14B2	EA-10227	End—Coil					1
43	14B3	EA-7913-44	Wire—Copper					2
43	14B4	EA-7954-1	Lead Assembly					1
43	14B4A	EA-7948-7	Wire—White connection					1
43	14B4B	EA-10267	Lug—Solder					1
43	14B5	EA-7954-2	Lead Assembly					1
43	14B5A	EA-7947-7	Wire—Red connection					1
43	14B5B	EA-10267	Lug—Solder					1
43	14C	EA-7920	Cord—Waxed					1
43	15	EA-10209B-1	Rotor Assembly					1
43	15A	EA-10237	Shaft—Rotor					1
43	15B	EA-10249	Bushing—Rotor					1
43	15C	EA-10233A	Magnet—Rotor					1

Section II
Group Assembly Parts List

EO 20-85BA-4

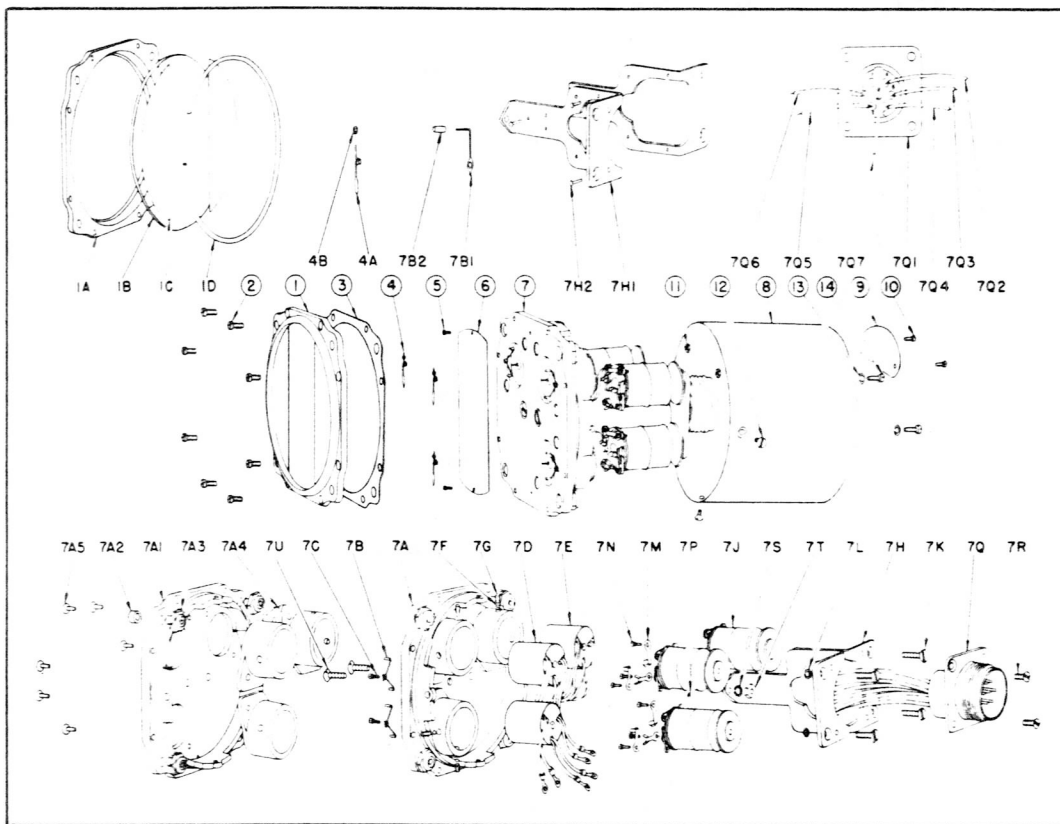


Figure 42—Exploded View of Main Assembly for
EA-111-1, Indicator

Fig. No.	Index No.	Part No.	Nomenclature	EA-111-1	Units Per Assy
			1 2 3 4 5 6 7		
43	16	EA-12220-1	Regulator Assembly		1
43	16A	EA-10257	Plate Assembly—Back		1
43	16A1	EA-10366	Regulator		1
43	16A2	EA-10363	Washer—Friction		2
43	16A3	EA-10254-1	Plate—Bearing		1
43	16A4	EA-10365	Adjustment--Return		1
43	16B	EA-10368	Magnet Return		1
43	17	AN501B0-2	Screw, fil hd 0 80 x 1/8 in.		3
43	18	EA-10394	Bearing Assembly		1
43	18A	EA-10371	Bearing Ring jewel		1
43	18B	EA-10370	Bearing—End jewel		1
43	18C	EA-10373	Holder—Jewel, rear		1
43	19	EA-10260	Nut—Lock		1
43	20	EA-10223	Screw—Scale adjusting		AR
43	20	EA-10223A	Screw—Scale adjusting		AR
42	7E	*EA-10210B5	Mechanism Assembly		1
43	13	EA-10292-10	Case Assembly—Mechanism		1
43	13A	EA-10235-8	Case—Mechanism		1
43	13B	EA-10269	Holder Assembly—Jewel		1
43	13B1	EA-10287-1	Holder—Jewel		1
43	13B2	EA-10271	Jewel—Sapphire		1
43	14	EA-10293	Form Assembly—Coil		1
43	14A	EA-10297	Form Assembly—Pin & Coil		1
43	14A1	EA-10226	Form—Coil		1
43	14A2	EA-10288	Pin—Coil form		1
43	14B	EA-10295	Winding Assembly—Coil		3
43	14B1	EA-10259	Insulator—Coil form		1
43	14B2	EA-10227	End—Coil		2
43	14B3	EA-7913-44	Wire—Copper		1
43	14B4	EA-7954-1	Lead Assembly		1
43	14B4A	EA-7948-7	Wire—White connection		1
43	14B4B	EA-10267	Lug—Solder		1

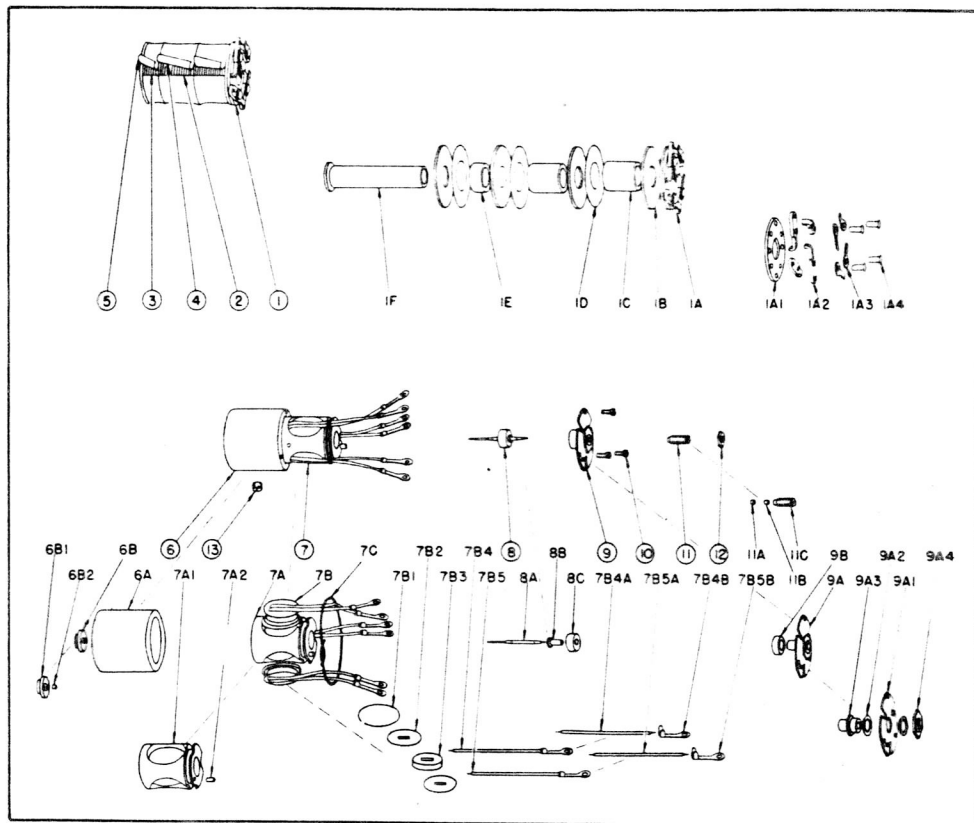


Figure 43—Exploded View of Mechanism and Resistor
for EA-111-1 Indicator

Fig. No.	Index No.	Part No.	Nomenclature	EA-111-1	Units Per Assy
43	14B5	EA-7954-2	Lead Assembly		1
43	14B5A	EA-7947-7	Wire—Red connection		1
43	14B5B	EA-10267	Lug—Solder		1
43	14C	EA-7920	Cord—Waxed		1
43	15	EA-10209B-2	Rotor Assembly		1
43	15A	EA-10237	Shaft—Rotor		1
43	15B	EA-10249	Bushing—Rotor		1
43	15C	EA-10233A	Magnet—Rotor		1
43	16	EA-10220-1	Regulator Assembly		1
43	16A	EA-10257	Plate Assembly—Back		1
43	16A1	EA-10366	Regulator		1
43	16A2	EA-10363	Washer—Friction		2
43	16A3	EA-10254-1	Plate—Bearing		1
43	16A4	EA-10365	Adjustment—Return		1
43	16B	EA-10368	Magnet—Return		1
43	17	AN501B0-2	Screw, fil hd 0 80 x 1/8 in.		3
43	18	EA-10394	Bearing Assembly		1
43	18A	EA-10371	Bearing—Ring jewel		1
43	18B	EA-10370	Bearing—End jewel		1
43	18C	EA-10373	Holder—Jewel, rear		1
43	19	EA-10260	Nut—Lock		1
43	20	EA-10223	Screw—Scale adjusting		AR
43	20	EA-10223A	Screw—Scale adjusting		AR
42	7F	*EA-10825	Insert		6
42	7G	EA-10812	Screw—Set		6
42	7H	EA-14011-2	Bracket Assembly		1
42	7H1	EA-14011	Bracket		2
42	7H2	AN430-2-4	Rivet		3
42	7J	*EA-10082-2	Resistor Assembly		3
43	1	EA-14010-1	Spool Assembly		1
43	1A	EA-10096-4	Plate Assembly—Top		1
43	1A1	EA-10060	Head		1
43	1A2	EA-10063	Lug		4

Section II
Group Assembly Parts List

Fig. No.	Index No.	Part No.	Nomenclature							EA-111-1	Units Per Assy	
			1	2	3	4	5	6	7			
43	1A3	EA-10267-1										
43	1A4	EA-10064-1										4
43	1B	EA-10060										4
43	1C	EA-14021-1										4
43	1D	EA-14022										2
43	1E	EA-14021-2										3
43	1F	EA-14020										1
43	2	EA-7912-30										1
43	3	EA-7912-34										2
43	4	EA-7950										1
43	5	EA-7949										2
42	7K	AN505B6-6										1
42	7L	EA-1562										3
42	7M	EA-10267										3
42	7N	AN501B0-2										9
42	7P	EA-7915-5										9
42	7Q	EA-7940-2										1
42	7Q1	EA-17013-4										1
42	7Q2	EA-7919-6										1
42	7Q3	EA-7917-6										1
42	7Q4	EA-7914-6										1
42	7Q5	EA-7916-6										1
42	7Q6	EA-7919-5										2
42	7Q7	EA-7915-5										1
42	7R	AN510B4-3										2
42	7S	EA-1562										2
42	7T	EA-47012										2
42	7U	AN505B6-6										2
42	8	EA-15024-4										2
42	9	NPC-111-1										1
42	10	AN501B1-2										1
42	11	AN345B-1										2
42	12	70558										2
42	13	EA-1535										4
42	14	AN501B4-5										2

Fig. No.	Index No.	Part No.	Nomenclature							EA-124-4	EA-124-8	EA-124-10	EA-124-11	EA-124-15	EA-124-29	EA-124-30	Units Per Assy		
			1	2	3	4	5	6	7										
44	1	EA-10191-2																	1
44	1A	EA-10136																	1
44	1B	*EA-10138																	1
44	1C	EA-14333-2																	1
44	1D	EA-10119																	2
44	2	EA-10166																	1
44	3	*EA-10443																	8
44	4	*EA-10890-4Y																	1
44	4A	3992-4																	2
44	4B	EA-10146-4																	1
44	5	AN501B0-2																	1
44	6	EA-12405-4																	2
44	6	EA-12405-8																	1
44	6	EA-12405-10																	1
44	6	EA-12405-11																	1
44	6	EA-12405-15																	1
44	6	EA-12405-29																	1
44	6	EA-12405-30																	1
44	7	EA-12401C-1																	1
44	7A	EA-12402C																	1
44	7A1	EA-10115A-13																	1
44	7A2	EA-10416																	1
44	7A3	EA-10040																	1
44	7A4	EA-1225																	4
44	7A5	EA-10075-3																	2

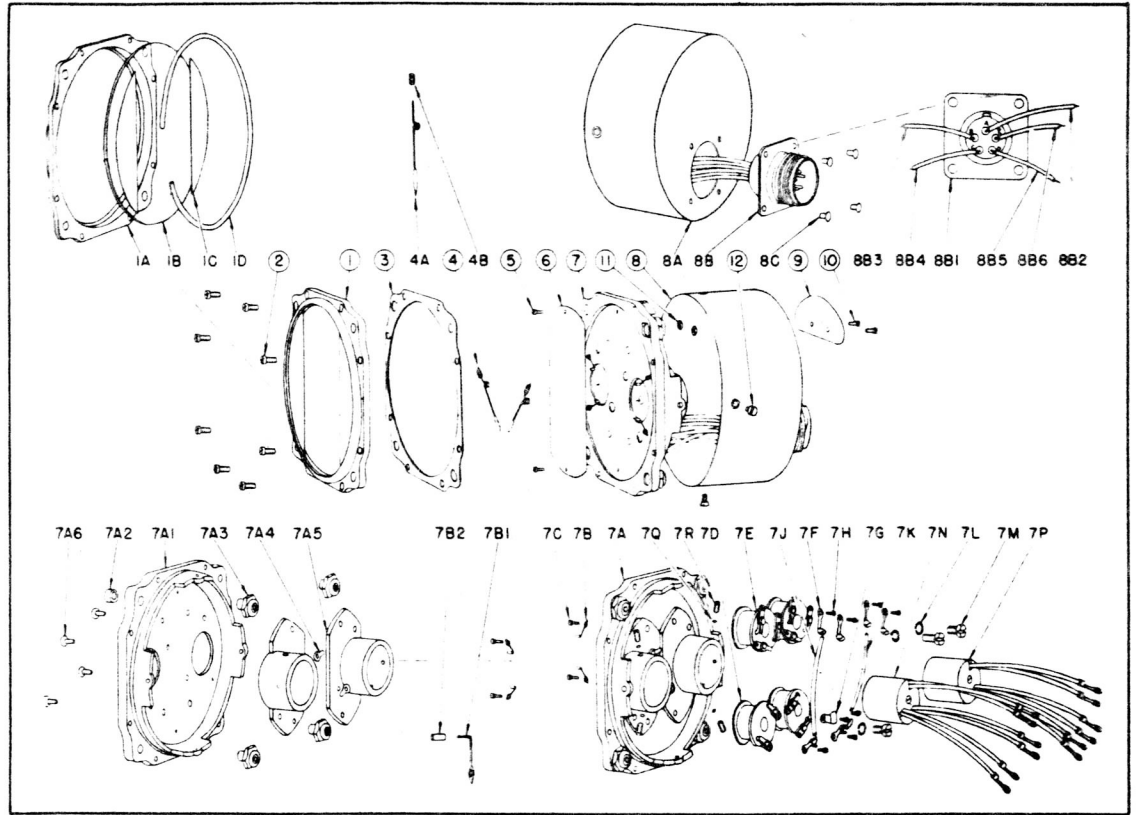


Figure 44—Exploded View of Main Assembly for EA-124-4, -8 -10
-11 -15 -29 and -30 Indicators

Fig. No.	Index No.	Part No.	Nomenclature	EA-124-4	EA-124-8	EA-124-10	EA-124-11	EA-124-15	EA-124-29	EA-124-30	Units Per Assy
44	7A6	70400-1	Rivet	x	x	x	x	x	x	x	4
44	7B	EA-12843-4	Stop Assembly—Pointer	x	x	x	x	x	x	x	4
44	7B1	EA-12844-4	Holder—Pointer stop	x	x	x	x	x	x	x	1
44	7B2	EA-12845	Sleeve—Pointer stop	x	x	x	x	x	x	x	1
44	7C	AN501B0-2	Screw, fil hd 0 80 x 1/8 in.	x	x	x	x	x	x	x	4
44	7D	*EA-10080-5	Resistor Assembly	x	x	x	x	x	x	x	2
45	1	EA-10094-3	Spool Assembly	x	x	x	x	x	x	x	1
45	1A	EA-10096-3	Plate Assembly—Top	x	x	x	x	x	x	x	1
45	1A1	EA-10060	Head	x	x	x	x	x	x	x	1
45	1A2	EA-10063	Lug	x	x	x	x	x	x	x	1
45	1A3	EA-10267-1	Lug—Solder	x	x	x	x	x	x	x	2
45	1A4	EA-10064-1	Eyelet	x	x	x	x	x	x	x	2
45	1B	EA-10060	Head	x	x	x	x	x	x	x	2
45	1C	EA-10093	Hub Assembly	x	x	x	x	x	x	x	1
45	1C1	EA-10062	Hub	x	x	x	x	x	x	x	1
45	1C2	EA-10060	Head	x	x	x	x	x	x	x	1
45	1D	EA-7928	Tape—Insulating	x	x	x	x	x	x	x	1
45	2	EA-7912-30	Wire—Nichrome	x	x	x	x	x	x	x	1
45	3	EA-7928	Tape—Insulating	x	x	x	x	x	x	x	1
44	7E	*EA-10080-15	Resistor Assembly	x	x	x	x	x	x	x	2
45	4	EA-10094-1	Spool Assembly	x	x	x	x	x	x	x	1
45	4A	EA-10096-1	Plate Assembly—Top	x	x	x	x	x	x	x	1
45	4A1	EA-10060	Head	x	x	x	x	x	x	x	1
45	4A2	EA-10063	Lug	x	x	x	x	x	x	x	3
45	4A3	EA-10267-1	Lug—Solder	x	x	x	x	x	x	x	3
45	4A4	EA-10064-1	Eyelet	x	x	x	x	x	x	x	3
45	4B	EA-10060	Head	x	x	x	x	x	x	x	1
45	4C	EA-10093	Hub Assembly	x	x	x	x	x	x	x	1
45	4C1	EA-10062	Hub	x	x	x	x	x	x	x	1
45	4C2	EA-10060	Head	x	x	x	x	x	x	x	1
45	4D	EA-7928	Tape—Insulating	x	x	x	x	x	x	x	1

Section II
Group Assembly Parts List

EO 20-85BA-4

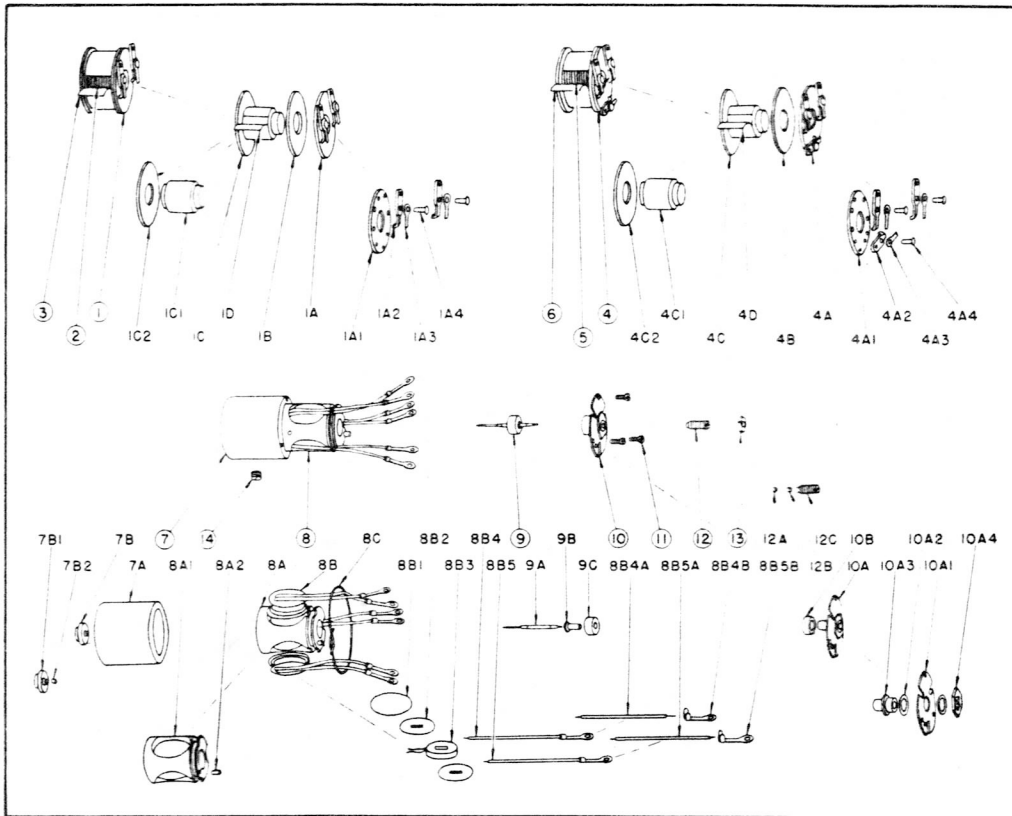


Figure 45—Exploded View of Mechanism and Resistors for EA-124-4, -8 -10 -11 -15 -29 and -30 Indicators

Fig. No.	Index No.	Part No.	Nomenclature	EA-124-4	EA-124-8	EA-124-10	EA-124-11	EA-124-15	EA-124-29	EA-124-30	Units Per Assy
45	5	EA-7912-34	Wire—Nichrome	x	x	x	x	x	x	x	1
45	6	EA-7928	Tape—Insulating	x	x	x	x	x	x	x	1
44	7F	EA-10267	Lug—Solder	x	x	x	x	x	x	x	6
44	7G	EA-7929	Lug—Solder	x	x	x	x	x	x	x	1
44	7H	AN501B0-2	Screw, fil hd 0 80 x 1/8 in.	x	x	x	x	x	x	x	10
44	7J	EA-7914-4	Wire—White connection	x	x	x	x	x	x	x	1
44	7K	EA-7930-4	Wire—Red connection	x	x	x	x	x	x	x	1
44	7L	EA-1562	Washer—Lock, No. 6	x	x	x	x	x	x	x	4
44	7M	AN500B6-4	Screw, fil hd 6 32 x 1/4 in.	x	x	x	x	x	x	x	4
44	7N	*EA-10210A5	Mechanism Assembly	x	x	x	x	x	x	x	1
45	7	EA-10292-10	Case Assembly—Mechanism	x	x	x	x	x	x	x	1
45	7A	EA-10235-8	Case—Mechanism	x	x	x	x	x	x	x	1
45	7B	EA-10269	Holder Assembly—Jewel	x	x	x	x	x	x	x	1
45	7B1	EA-10287-1	Holder—Jewel	x	x	x	x	x	x	x	1
45	7B2	EA-10271	Jewel—Sapphire	x	x	x	x	x	x	x	1
45	8	EA-10293	Form Assembly—Coil	x	x	x	x	x	x	x	1
45	8A	EA-10297	Form Assembly—Pin & Coil	x	x	x	x	x	x	x	1
45	8A1	EA-10226	Form—Coil	x	x	x	x	x	x	x	1
45	8A2	EA-10288	Pin—Coil form	x	x	x	x	x	x	x	1
45	8B	EA-10295	Winding Assembly—Coil	x	x	x	x	x	x	x	3
45	8B1	EA-10259	Insulator—Coil form	x	x	x	x	x	x	x	1
45	8B2	EA-10227	End—Coil	x	x	x	x	x	x	x	2
45	8B3	EA-7913-44	Wire—Copper	x	x	x	x	x	x	x	1
45	8B4	EA-7954-1	Lead Assembly	x	x	x	x	x	x	x	1
45	8B4A	EA-7948-7	Wire—White connection	x	x	x	x	x	x	x	1
45	8B4B	EA-10267	Lug—Solder	x	x	x	x	x	x	x	1
45	8B5	EA-7954-2	Lead Assembly	x	x	x	x	x	x	x	1
45	8B5A	EA-7947-7	Wire—Red connection	x	x	x	x	x	x	x	1
45	8B5B	EA-10267	Lug—Solder	x	x	x	x	x	x	x	1
45	8C	EA-7920	Cord—Waxed	x	x	x	x	x	x	x	1

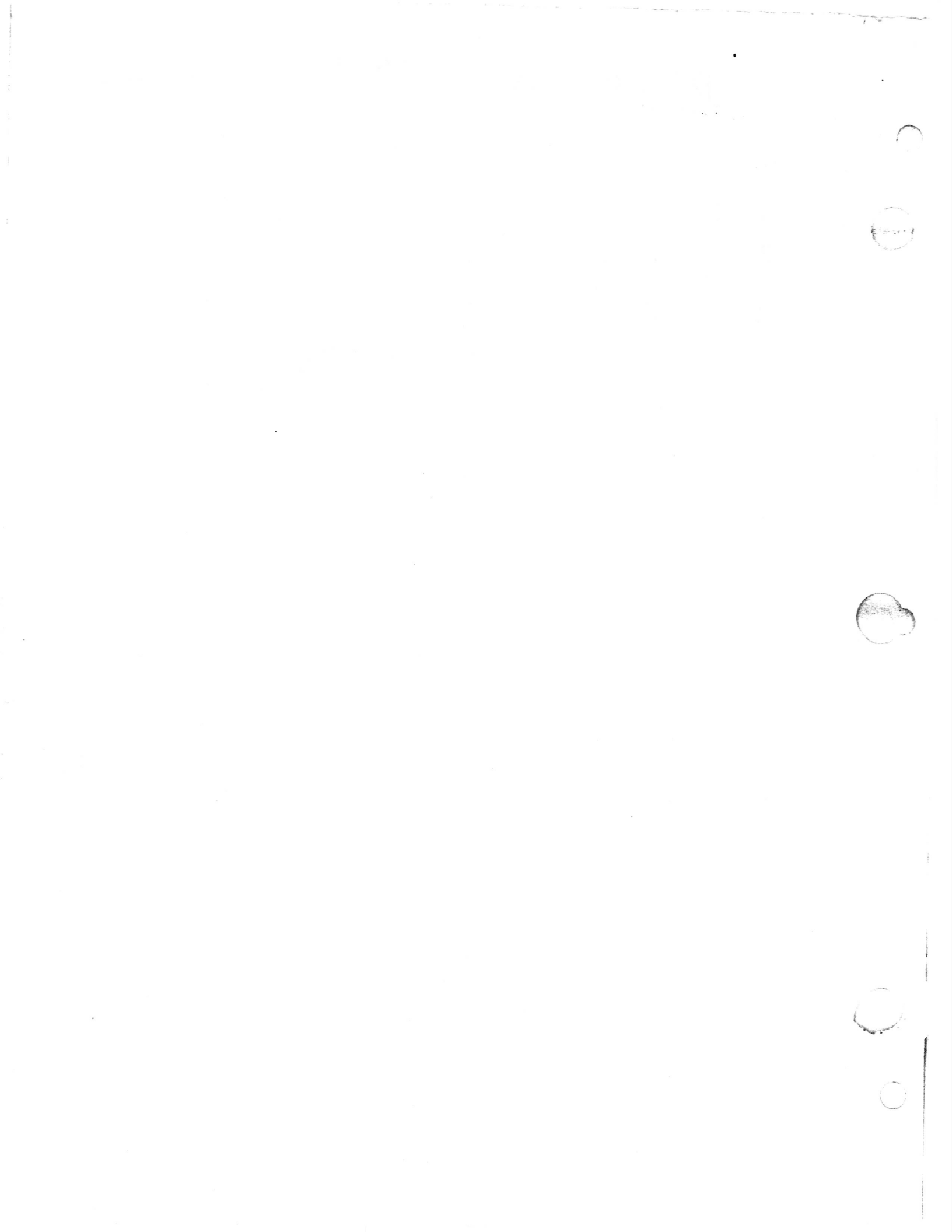
RESCINDED

EO 20-85BA-4

Section II
Group Assembly Parts List

Fig. No.	Index No.	Part No.	Nomenclature	Group Assembly			Units Per Assy
				EA-124-31	EA-124-51	EA-124-53	
		EA-124	INDICATOR				
48	6	EA-12405-31	Dial	x			1
48	6	EA-12405-51	Dial		x		1
48	6	EA-12405-53	Dial			x	1
48	8	EA-10410-15	Case Assembly	x			1
48	8	EA-10410-8	Case Assembly		x	x	1
48	8B	EA-7938-5	Receptacle	x	x	x	1
48	9	NPC-124-31	Nameplate	x			1
48	9	NPF-124-51	Nameplate		x		1
48	9	NPF-124-53	Nameplate			x	1

ALL OTHER PARTS TO COMPLETE
INDICATOR FOUND ON FIGURE 48



RESCINDED

EO 20-85BA-4

Section II
Group Assembly Parts List

Fig. No.	Index No.	Part No.	Nomenclature								Units Per Assy	
				1	2	3	4	5	6	7		
45	9	EA-10209B-1	Rotor Assembly	x	x	x	x	x	x	x	x	1
45	9A	EA-10237	Shaft—Rotor	x	x	x	x	x	x	x	x	1
45	9B	EA-10249	Bushing—Rotor	x	x	x	x	x	x	x	x	1
45	9C	EA-10233A	Magnet—Rotor	x	x	x	x	x	x	x	x	1
45	10	EA-10220-1	Regulator Assembly	x	x	x	x	x	x	x	x	1
45	10A	EA-10257	Plate Assembly—Back	x	x	x	x	x	x	x	x	1
45	10A1	EA-10366	Regulator	x	x	x	x	x	x	x	x	1
45	10A2	EA-10363	Washer—Friction	x	x	x	x	x	x	x	x	2
45	10A3	EA-10254-1	Plate—Bearing	x	x	x	x	x	x	x	x	1
45	10A4	EA-10365	Adjustment—Return	x	x	x	x	x	x	x	x	1
45	10B	EA-10368	Magnet—Return	x	x	x	x	x	x	x	x	1
45	11	AN501B0-2	Screw, fil hd 0 80 1/8 in.	x	x	x	x	x	x	x	x	3
45	12	EA-10394	Bearing Assembly	x	x	x	x	x	x	x	x	1
45	12A	EA-10371	Bearing—Ring jewel	x	x	x	x	x	x	x	x	1
45	12B	EA-10370	Bearing—End jewel	x	x	x	x	x	x	x	x	1
45	12C	EA-10373	Holder—Jewel, rear	x	x	x	x	x	x	x	x	1
45	13	EA-10260	Nut—Lock	x	x	x	x	x	x	x	x	1
45	14	EA-10223	Screw—Scale adjusting	x	x	x	x	x	x	x	x	AR
45	14	EA-10223A	Screw—Scale adjusting	x	x	x	x	x	x	x	x	AR
44	7P	*EA-10210B5	Mechanism Assembly	x	x	x	x	x	x	x	x	1
45	7	EA-10292-10	Case Assembly—Mechanism	x	x	x	x	x	x	x	x	1
45	7A	EA-10235-8	Case—Mechanism	x	x	x	x	x	x	x	x	1
45	7B	EA-10269	Holder Assembly—Jewel	x	x	x	x	x	x	x	x	1
45	7B1	EA-10287-1	Holder—Jewel	x	x	x	x	x	x	x	x	1
45	7B2	EA-10271	Jewel—Sapphire	x	x	x	x	x	x	x	x	1
45	8	EA-10293	Form Assembly—Coil	x	x	x	x	x	x	x	x	1
45	8A	EA-10297	Form Assembly—Pin & Coil	x	x	x	x	x	x	x	x	1
45	8A1	EA-10226	Form—Coil	x	x	x	x	x	x	x	x	1
45	8A2	EA-10288	Pin—Coil form	x	x	x	x	x	x	x	x	1
45	8B	EA-10295	Winding Assembly—Coil	x	x	x	x	x	x	x	x	3
45	8B1	EA-10259	Insulator—Coil form	x	x	x	x	x	x	x	x	1
45	8B2	EA-10227	End—Coil	x	x	x	x	x	x	x	x	2
45	8B3	EA-7913-44	Wire—Copper	x	x	x	x	x	x	x	x	1
45	8B4	EA-7954-1	Lead Assembly	x	x	x	x	x	x	x	x	1
45	8B4A	EA-7948-7	Wire—White connection	x	x	x	x	x	x	x	x	1
45	8B4B	EA-10267	Lug—Solder	x	x	x	x	x	x	x	x	1
45	8B5	EA-7954-2	Lead Assembly	x	x	x	x	x	x	x	x	1
45	8B5A	EA-7947-7	Wire—Red connection	x	x	x	x	x	x	x	x	1
45	8B5B	EA-10267	Lug—Solder	x	x	x	x	x	x	x	x	1
45	8C	EA-7920	Cord—Waxed	x	x	x	x	x	x	x	x	1
45	9	EA-10209B-2	Rotor Assembly	x	x	x	x	x	x	x	x	1
45	9A	EA-10237	Shaft—Rotor	x	x	x	x	x	x	x	x	1
45	9B	EA-10249	Bushing—Rotor	x	x	x	x	x	x	x	x	1
45	9C	EA-10233A	Magnet—Rotor	x	x	x	x	x	x	x	x	1
45	10	EA-10220-1	Regulator Assembly	x	x	x	x	x	x	x	x	1
45	10A	EA-10257	Plate Assembly—Back	x	x	x	x	x	x	x	x	1
45	10A1	EA-10366	Regulator	x	x	x	x	x	x	x	x	1
45	10A2	EA-10363	Washer—Friction	x	x	x	x	x	x	x	x	2
45	10A3	EA-10254-1	Plate—Bearing	x	x	x	x	x	x	x	x	1
45	10A4	EA-10365	Adjustment—Return	x	x	x	x	x	x	x	x	1
45	10B	EA-10368	Magnet—Return	x	x	x	x	x	x	x	x	1
45	11	AN501B0-2	Screw, fil hd 0 80 x 1/8 in.	x	x	x	x	x	x	x	x	3
45	12	EA-10394	Bearing Assembly—Rear	x	x	x	x	x	x	x	x	1
45	12A	EA-10371	Bearing—Ring jewel	x	x	x	x	x	x	x	x	1
45	12B	EA-10370	Bearing—End jewel	x	x	x	x	x	x	x	x	1
45	12C	EA-10373	Holder—Jewel, rear	x	x	x	x	x	x	x	x	1
45	13	EA-10260	Nut—Lock	x	x	x	x	x	x	x	x	1
45	14	EA-10223	Screw—Scale adjusting	x	x	x	x	x	x	x	x	AR
45	14	EA-10223A	Screw—Scale adjusting	x	x	x	x	x	x	x	x	AR
44	7Q	*EA-10825	Insert	x	x	x	x	x	x	x	x	4
44	7R	EA-10812	Screw—Set	x	x	x	x	x	x	x	x	4
44	8	EA-10410-8	Case Assembly	x	x	x	x	x	x	x	x	1
44	8A	EA-14324-8	Case	x	x	x	x	x	x	x	x	1
44	8B	EA-7938-1	Receptacle Assembly	x	x	x	x	x	x	x	x	1
44	8B1	AN3102-14S-5P	Receptacle	x	x	x	x	x	x	x	x	1
44	8B2	EA-7930-6	Wire—White connection	x	x	x	x	x	x	x	x	1
44	8B3	EA-7917-9	Wire—Green connection	x	x	x	x	x	x	x	x	1
44	8B4	EA-7914-6	Wire—Blue connection	x	x	x	x	x	x	x	x	1

Section II
Group Assembly Parts List

EO 20-85BA-4

Fig. No.	Index No.	Part No.	Nomenclature								Units Per Assy	
				1	2	3	4	5	6	7		
44	8B5	EA-7916-9	Wire—Yellow connection	x	x	x	x	x	x	x	x	1
44	8B6	EA-7915-6	Wire—Red connection	x	x	x	x	x	x	x	x	1
44	8C	70401-1	Rivet	x	x	x	x	x	x	x	x	4
44	9	NPC-124-4	Plate—Name	x								1
44	9	NPF-124-8	Plate—Name		x							1
44	9	NPC-124-10	Plate—Name			x						1
44	9	NPC-124-11	Plate—Name				x					1
44	9	NPC-124-15	Plate—Name					x				1
44	9	NPC-124-29	Plate—Name						x			1
44	9	NPC-124-30	Plate—Name								x	1
44	10	AN501B1-3	Screw, fil hd 1 72 x 3/16 in.	x	x	x	x	x	x	x	x	2
44	11	AN345B1	Nut, hex 1 72	x	x	x	x	x	x	x	x	2
44	12	70558	Screw, FH 3 56 x 5/32 in.	x	x	x	x	x	x	x	x	4



Fig. No.	Index No.	Part No.	Nomenclature				Units Per Assy
				EA-124-12	EA-124-13	EA-124-14	
		EA-124	Indicator	x	x	x	1
46	1	EA-10191-2	Bezel Assembly	x	x	x	1
46	1A	EA-101136	Bezel	x	x	x	1
46	1B	*EA-10138	Glass	x	x	x	1
46	1C	EA-14333-2	Shield	x	x	x	2
46	1D	EA-10119	Ring—Snap	x	x	x	1
46	2	EA-10166	Screw	x	x	x	8
46	3	*EA-10443	Gasket—Bezel	x	x	x	1
46	4	*EA-10890-4Y	Pointer Assembly	x	x	x	2
46	4A	3992-4	Blank—Pointer	x	x	x	1
46	4B	EA-10146-4	Weight—Pointer	x	x	x	1
46	5	AN501B0-2	Screw, fil hd 0 80 x 1/8 in.	x	x	x	2
46	6	EA-12405-12	Dial	x			1
46	6	EA-12405-13	Dial		x		1
46	6	EA-12405-14	Dial			x	1
46	7	EA-12401C-2	Plate Assembly—Mounting	x	x	x	1
46	7A	EA-12402C-1	Plate Sub Assembly—Mounting	x	x	x	1
46	7A1	EA-10115A-13	Plate—Mounting	x	x	x	1
46	7A2	EA-10075-3	Adapter—Mechanism	x	x	x	2
46	7A3	EA-1225	Lug—Solder	x	x	x	2
46	7A4	70400-1	Rivet	x	x	x	4
46	7B	EA-12843-4	Stop Assembly—Pointer	x	x	x	4
46	7B1	EA-12844-4	Holder—Pointer stop	x	x	x	1
46	7B2	EA-12845	Sleeve—Pointer stop	x	x	x	1
46	7C	AN501B0-2	Screw, fil hd 0 80 x 1/8 in.	x	x	x	4
46	7D	*EA-10080-15	Resistor Assembly	x	x	x	2
47	1	EA-10094-1	Spool Assembly	x	x	x	1
47	1A	EA-10096-1	Plate Assembly—Top	x	x	x	1
47	1A1	EA-10060	Head	x	x	x	1
47	1A2	EA-10063	Lug	x	x	x	3
47	1A3	EA-10267-1	Lug—Solder	x	x	x	3
47	1A4	EA-10064-1	Eyelet	x	x	x	3
47	1B	EA-10060	Head	x	x	x	1
47	1C	EA-10093	Hub Assembly	x	x	x	1
47	1C1	EA-10062	Hub	x	x	x	1
47	1C2	EA-10060	Head	x	x	x	1
47	1D	EA-7928	Tape—Insulating	x	x	x	1
47	2	EA-7912-34	Wire—Nichrome	x	x	x	1
47	3	EA-7928	Tape—Insulating	x	x	x	1
46	7E	*EA-10080-9	Resistor Assembly	x	x	x	2
47	1	EA-10094-1	Spool Assembly	x	x	x	1
47	1A	EA-10096-1	Plate Assembly—Top	x	x	x	1
47	1A1	EA-10060	Head	x	x	x	1
47	1A2	EA-10063	Lug	x	x	x	3
47	1A3	EA-10267-1	Lug—Solder	x	x	x	3
47	1A4	EA-10064-1	Eyelet	x	x	x	3
47	1B	EA-10060	Head	x	x	x	1

RESCINDED

EO 20-85BA-4

Section II
Group Assembly Parts List

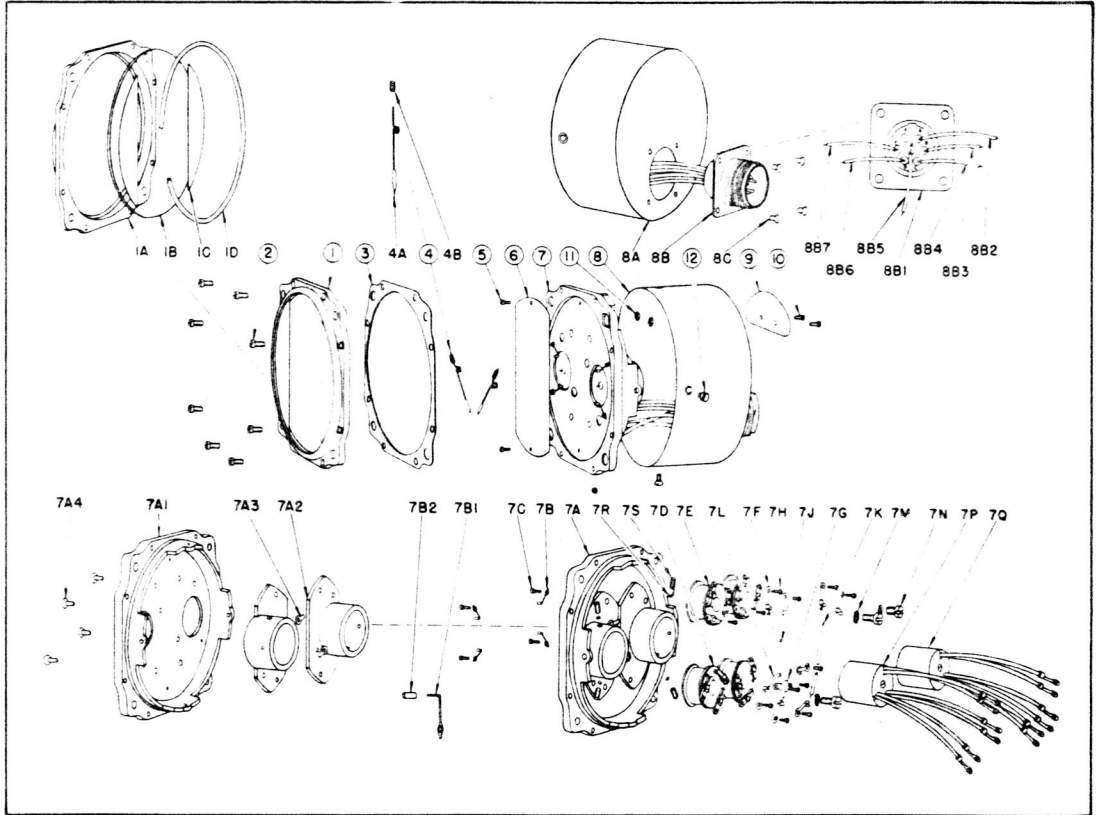


Figure 46—Exploded View of Main Assembly for EA-124-12, -13 and -14 Indicators

Fig. No.	Index No.	Part No.	Nomenclature	EA-124-12	EA-124-13	EA-124-14	Units Per Assy
47	1C	EA-10093	Hub Assembly	x	x	x	1
47	1C1	EA-10062	Hub	x	x	x	1
47	1C2	EA-10060	Head	x	x	x	1
47	1D	EA-7928	Tape—Insulating	x	x	x	1
47	2	EA-7912-30	Wire—Nichrome	x	x	x	1
47	3	EA-7928	Tape—Insulating	x	x	x	1
46	7F	EA-10267	Lug—Solder	x	x	x	8
46	7G	EA-7929	Lug—Solder	x	x	x	1
46	7H	AN501B0-2	Screw, fil hd 0 80 x 1/8 in.	x	x	x	12
46	7J	EA-7914-4	Wire—White connection	x	x	x	1
46	7K	EA-7930-4	Wire—Red connection	x	x	x	1
46	7L	EA-7918-3	Wire—Black connection	x	x	x	1
46	7M	EA-1562	Washer—Lock, No. 6	x	x	x	4
46	7N	AN500B6-4	Screw, fil hd 6 32 x 1/4 in.	x	x	x	4
46	7P	*EA-10210A5	Mechanism Assembly	x	x	x	1
47	4	EA-10292-10	Case Assembly—Mechanism	x	x	x	1
47	4A	EA-10235-8	Case—Mechanism	x	x	x	1
47	4B	EA-10269	Holder Assembly—Jewel	x	x	x	1
47	4B1	EA-10287-1	Holder—Jewel	x	x	x	1
47	4B2	EA-10271	Jewel—Sapphire	x	x	x	1
47	5	EA-10293	Form Assembly—Coil	x	x	x	1
47	5A	EA-10297	Form Assembly—Pin & Coil	x	x	x	1
47	5A1	EA-10226	Form—Coil	x	x	x	1
47	5A2	EA-10288	Pin—Coil form	x	x	x	1
47	5B	EA-10295	Winding Assembly—Coil	x	x	x	3
47	5B1	EA-10259	Insulator—Coil form	x	x	x	1
47	5B2	EA-10227	End—Coil	x	x	x	2
47	5B3	EA-7913-44	Wire—Copper	x	x	x	1
47	5B4	EA-7954-1	Lead Assembly	x	x	x	1
47	5B4A	EA-7948-7	Wire—White connection	x	x	x	1
47	5B4B	EA-10267	Lug—Solder	x	x	x	1
47	5B5	EA-7954-2	Lead Assembly	x	x	x	1

Section II
Group Assembly Parts List

EO 20-85BA-4

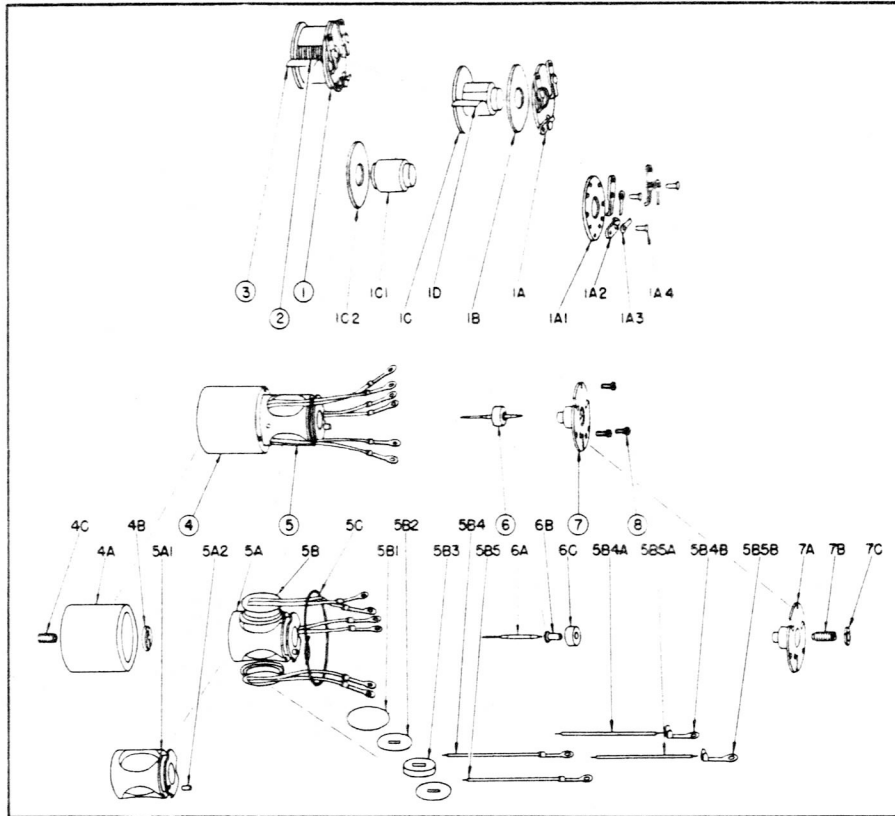


Figure 47—Exploded View of Mechanism and Resistor
for EA-124-12, -13 and -14 Indicators

Fig. No.	Index No.	Part No.	Nomenclature	1	2	3	4	5	6	7	EA-124-12	EA-124-13	EA-124-14	Units Per Assy
47	5B5A	EA-7947-7	Wire—Red connection								x	x	x	1
47	5B5B	EA-10267	Lug—Solder								x	x	x	1
47	5C	EA-7920	Cord—Waxed								x	x	x	1
47	6	EA-10209B-1	Rotor Assembly								x	x	x	1
47	6A	EA-10237	Shaft—Rotor								x	x	x	1
47	6B	EA-10249	Bushing—Rotor								x	x	x	1
47	6C	EA-10233A	Magnet—Rotor								x	x	x	1
47	7	EA-10220-1	Regulator Assembly								x	x	x	1
47	7A	EA-10257	Plate Assembly—Back								x	x	x	1
47	7A1	EA-10366	Regulator								x	x	x	1
47	7A2	EA-10363	Washer—Friction								x	x	x	2
47	7A3	EA-10254-1	Plate—Bearing								x	x	x	1
47	7A4	EA-10365	Adjustment—Return								x	x	x	1
47	7B	EA-10368	Magnet—Return								x	x	x	1
47	8	AN501B0-2	Screw, fil hd 0 80 x 1/8 in.								x	x	x	3
47	9	EA-10394	Bearing Assembly								x	x	x	1
47	9A	EA-10371	Bearing—Ring jewel								x	x	x	1
47	9B	EA-10370	Bearing—End jewel								x	x	x	1
47	9C	EA-10373	Holder—Jewel, rear								x	x	x	1
47	10	EA-10260	Nut—Lock								x	x	x	1
47	11	EA-10223	Screw—Scale adjusting								x	x	x	AR
47	11	EA-10223A	Screw—Scale adjusting								x	x	x	AR
46	7Q	*EA-10210B5	Mechanism Assembly								x	x	x	1
47	4	EA-10292-10	Case Assembly—Mechanism								x	x	x	1
47	4A	EA-10235-8	Case—Mechanism								x	x	x	1
47	4B	EA-10269	Holder Assembly Jewel								x	x	x	1
47	4B1	EA-10287-1	Holder—Jewel								x	x	x	1
47	4B2	EA-10271	Jewel—Sapphire								x	x	x	1
47	5	EA-10293	Form Assembly—Coil								x	x	x	1
47	5A	EA-10297	Form Assembly—Pin & Coil								x	x	x	1
47	5A1	EA-10226	Form—Coil								x	x	x	1
47	5A2	EA-10288	Pin—Coil form								x	x	x	1

RESCINDED

EO 20-85BA-4

Section II
Group Assembly Parts List

Fig. No.	Index No.	Part No.	Nomenclature	EA-124-12 EA-124-13 EA-124-14			Units Per Assy
				1	2	3	
47	5B	EA-10295	Winding Assembly—Coil	x	x	x	3
47	5B1	EA-10259	Insulator—Coil form	x	x	x	1
47	5B2	EA-10227	End—Coil	x	x	x	2
47	5B3	EA-7913-44	Wire—Copper	x	x	x	1
47	5B4	EA-7954-1	Lead Assembly	x	x	x	1
47	5B4A	EA-7948-7	Wire—White connection	x	x	x	1
47	5B4B	EA-10267	Lug—Solder	x	x	x	1
47	5B5	EA-7954-2	Lead Assembly	x	x	x	1
47	5B5A	EA-7947-7	Wire—Red connection	x	x	x	1
47	5B5B	EA-10267	Lug—Solder	x	x	x	1
47	5C	EA-7920	Cord—Waxed	x	x	x	1
47	6	EA-10209B-2	Rotor Assembly	x	x	x	1
47	6A	EA-10237	Shaft—Rotor	x	x	x	1
47	6B	EA-10249	Bushing—Rotor	x	x	x	1
47	6C	EA-10233A	Magnet—Rotor	x	x	x	1
47	7	EA-10220-1	Regulator Assembly	x	x	x	1
47	7A	EA-10257	Plate Assembly—Back	x	x	x	1
47	7A1	EA-10366	Regulator	x	x	x	1
47	7A2	EA-10363	Washer—Friction	x	x	x	2
47	7A3	EA-10254-1	Plate—Bearing	x	x	x	1
47	7A4	EA-10365	Adjustment—Return	x	x	x	1
47	7B	EA-10368	Magnet—Return	x	x	x	1
47	8	AN501B0-2	Screw, fl hd 0 80 x 1/8 in.	x	x	x	3
47	9	EA-10394	Bearing Assembly—Rear	x	x	x	1
47	9A	EA-10371	Bearing—Ring jewel	x	x	x	1
47	9B	EA-10370	Bearing—End jewel	x	x	x	1
47	9C	EA-10373	Holder—Jewel, rear	x	x	x	1
47	10	EA-10260	Nut—Lock	x	x	x	1
47	11	EA-10223	Screw—Scale adjusting	x	x	x	AR
47	11	EA-10223A	Screw—Scale adjusting	x	x	x	AR
46	7R	*EA-10825	Insert	x	x	x	4
46	7S	EA-10812	Screw—Set	x	x	x	4
46	8	EA-10410-13	Case Assembly	x	x	x	1
46	8A	EA-14324-10	Case	x	x	x	1
46	8B	EA-7940-5	Receptacle Assembly	x	x	x	1
46	8B1	AN3102-16S-1P	Receptacle	x	x	x	1
46	8B2	EA-7918-6	Wire—Black connection	x	x	x	1
46	8B3	EA-7917-9	Wire—Green connection	x	x	x	1
46	8B4	EA-7914-6	Wire—Blue connection	x	x	x	1
46	8B5	EA-7916-9	Wire—Yellow connection	x	x	x	1
46	8B6	EA-7919-6	Wire—White connection	x	x	x	1
46	8B7	EA-7915-6	Wire—Red connection	x	x	x	1
46	8C	70401-1	Rivet	x	x	x	4
46	9	NPC-124-12	Plate—Name	x			1
46	9	NPC-124-13	Plate—Name		x		1
46	9	NPC-124-14	Plate—Name			x	1
46	10	AN501B1-3	Screw, fl hd 1 72 x 3/16 in.	x	x	x	2
46	11	AN345B-1	Nut, hex 1 72	x	x	x	2
46	12	70558	Screw, FH 3 56 x 5/32 in.	x	x	x	4

Fig. No.	Index No.	Part No.	Nomenclature	EA-124-24 EA-124-25 EA-124-26			Units Per Assy
				1	2	3	
48	1	EA-124	Indicator	x	x	x	1
48	1A	EA-10191-2	Bezel Assembly	x	x	x	1
48	1A	EA-10136	Bezel	x	x	x	1
48	1B	*EA-10138	Glass	x	x	x	1
48	1C	EA-14333-2	Shield	x	x	x	2
48	1D	EA-10119	Ring—Snap	x	x	x	1
48	2	EA-10166	Screw	x	x	x	8
48	3	*EA-10443	Gasket—Bezel	x	x	x	1
48	4	*EA-10890-4Y	Pointer Assembly	x	x	x	2
48	4A	3992-4	Blank—Pointer	x	x	x	1
48	4B	EA-10146-4	Weight—Pointer	x	x	x	1
48	5	AN501B0-2	Screw, fl hd 0 80 x 1/8 in.	x	x	x	2

Section II
Group Assembly Parts List

EO 20-85BA-4

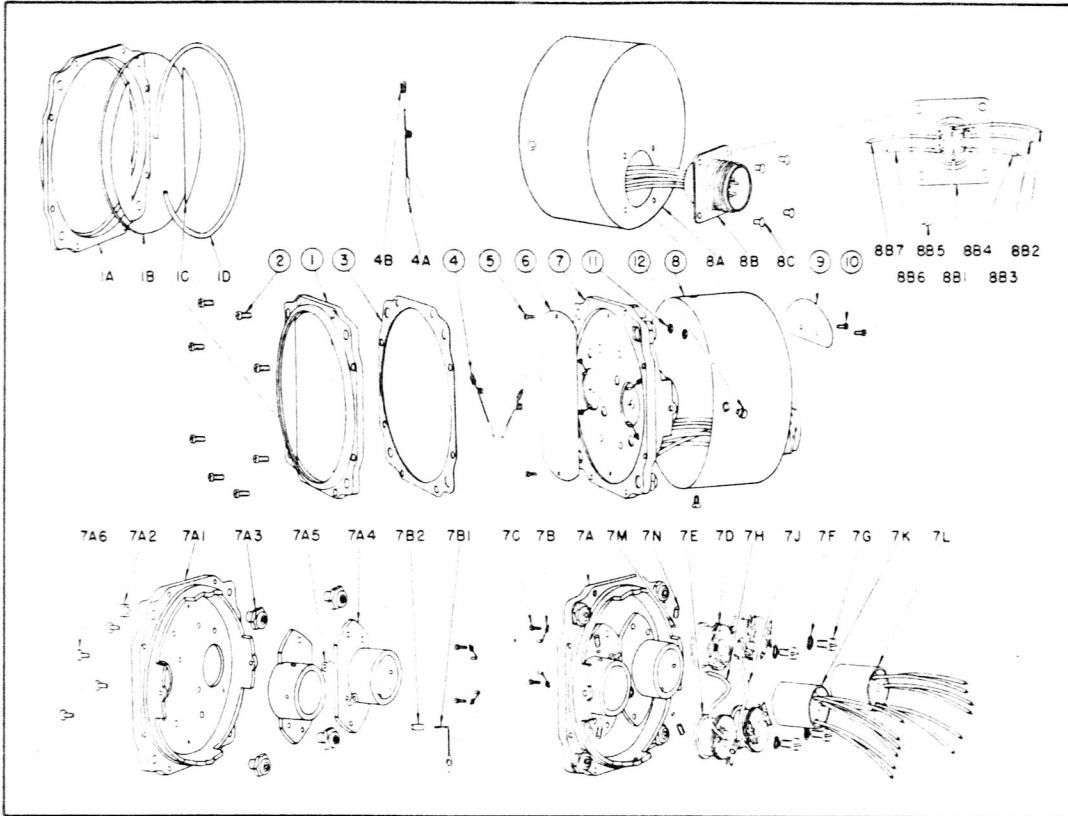


Figure 48—Exploded View of Main Assembly
for EA-124-24, 25 and -26 Indicators

Fig. No.	Index No.	Part No.	Nomenclature	Units		
				EA-124-24	EA-124-25	EA-124-26 Per Assy
48	6	EA-12405-24	Dial	x		1
48	6	EA-12405-25	Dial		x	1
48	6	EA-12405-26	Dial			1
48	7	EA-12401D-1	Plate Assembly—Mounting	x	x	x
48	7A	EA-12402C	Plate Sub Assembly—Mounting	x	x	x
48	7A1	EA-10115A-13	Plate—Mounting	x	x	x
48	7A2	EA-10416	Insert	x	x	x
48	7A3	EA-10040	Nut—Stop	x	x	x
48	7A4	EA-10075-3	Adapter—Mechanism	x	x	x
48	7A5	EA-1225	Lug—Solder	x	x	x
48	7A6	70400-1	Rivet	x	x	x
48	7B	EA-12843-4	Stop Assembly—Pointer	x	x	x
48	7B1	EA-12844-4	Holder—Pointer stop	x	x	x
48	7B2	EA-12845	Sleeve—Pointer stop	x	x	x
48	7C	AN501B0-2	Screw, fil hd 0 80 x 1/8 in.	x	x	x
48	7D	*EA-10084-30	Resistor Assembly	x	x	x
49	1	EA-10018-1	Spool Assembly	x	x	x
49	1A	EA-10019-1	Plate Assembly—Top	x	x	x
49	1A1	EA-10060	Head	x	x	x
49	1A2	EA-10067	Lug—Terminal	x	x	x
49	1A3	EA-10064	Eyelet	x	x	x
49	1B	EA-10060	Head	x	x	x
49	1C	EA-10093	Hub Assembly	x	x	x
49	1C1	EA-10062	Hub	x	x	x
49	1C2	EA-10060	Head	x	x	x
49	1D	EA-7928	Tape—Insulating	x	x	x
49	2	EA-7912-34	Wire—Nichrome	x	x	x
49	3	EA-7928	Tape—Insulating	x	x	x
48	7E	*EA-10084-31	Resistor Assembly	x	x	x
49	4	EA-10018-3	Spool Assembly	x	x	x
49	4A	EA-10019-3	Plate Assembly—Top	x	x	x
49	4A1	EA-10060	Head	x	x	x
49	4A2	EA-10067	Lug—Terminal	x	x	x

RESCINDED

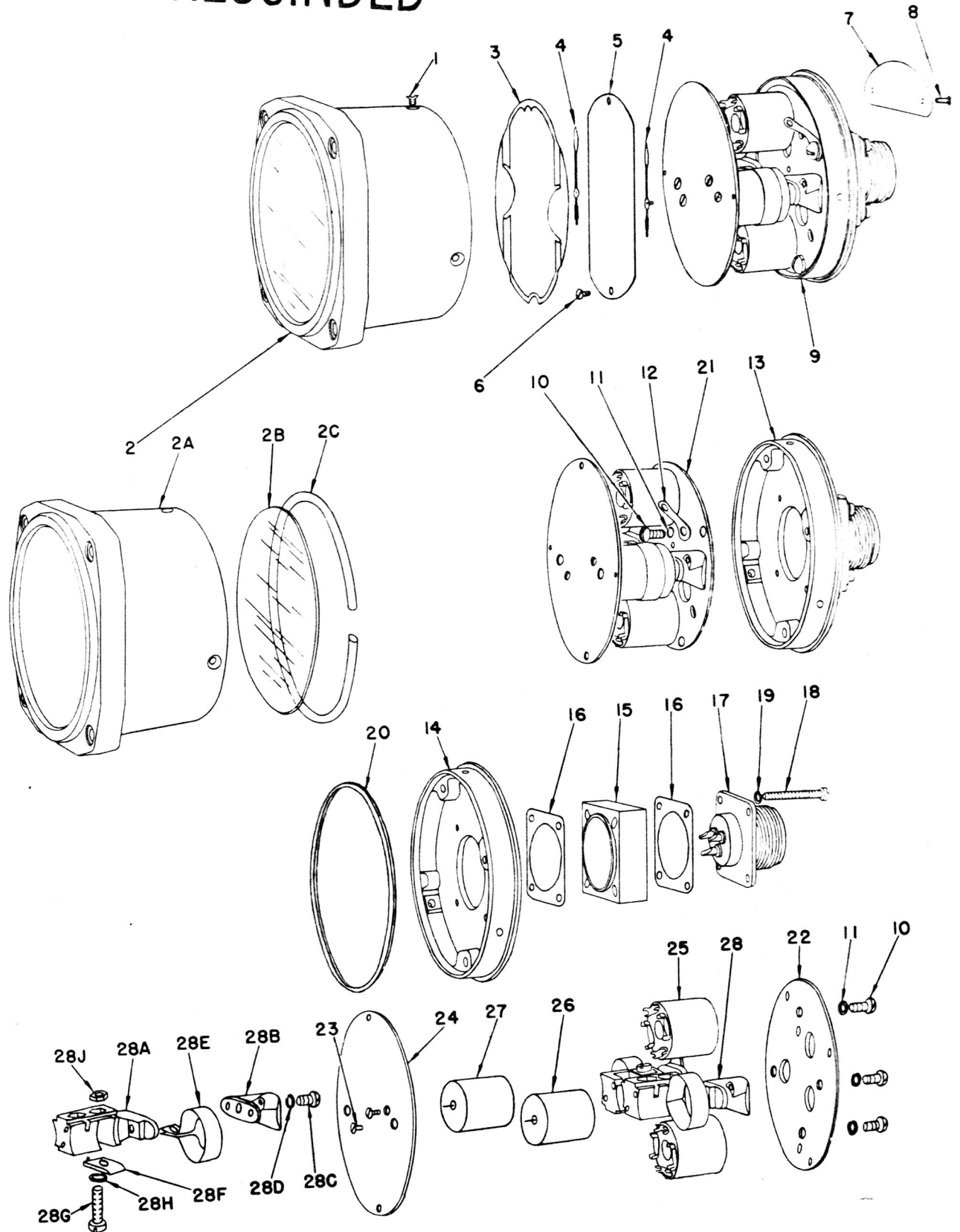


Figure 48A—Indicator EA-124AN-52

Section II
Group Assembly Parts List

EO 20-85BA-4

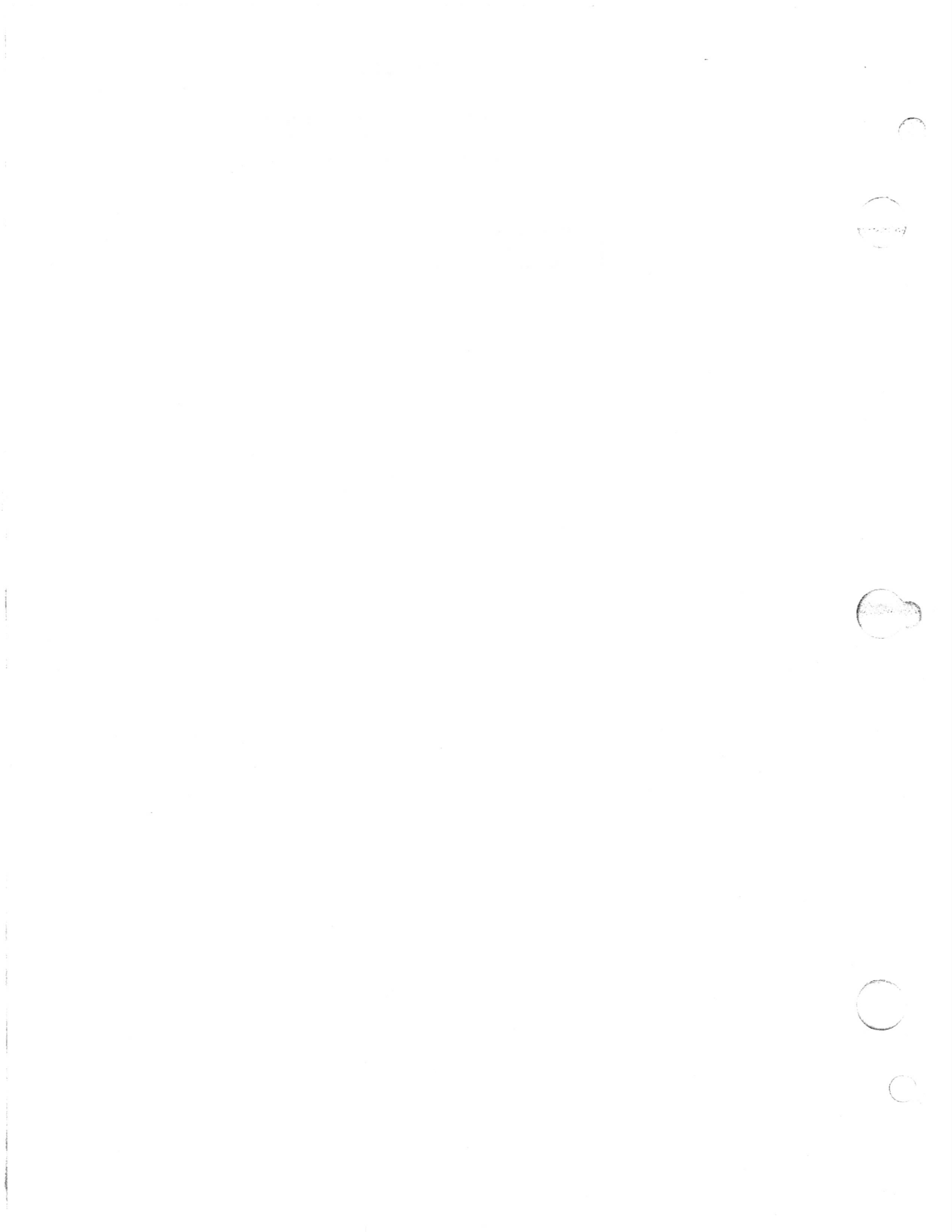
Fig. No.	Index No.	Part No.	Nomenclature	1	2	3	4	5	6	7	EA-124AN-39	EA-124AN-52	EA-124AN-65	EA-124AN-82	EA-124AN-89	EA-124AN-94	EA-124AN-102	EA-124AN-104	Units per Assy.	
			INDICATOR																	
48A	1	AN510B3-3	Screw—Brass, Bl. Ox., Fl. Hd., No. 3-56 x 3/16 in. Long								x	x	x	x	x	x	x	x	x	3
48A	2	EA-19010-1	Case Assembly								x	x	x	x	x	x	x	x	x	1
48A	2A	EA-19053-1	Case								x	x	x	x	x	x	x	x	x	1
48A	2B	EA-19056	Glass								x	x	x	x	x	x	x	x	x	1
48A	2C	EA-19057	Snap—Ring								x	x	x	x	x	x	x	x	x	1
48A	3	EA-19035	Shield								x	x	x	x	x	x	x	x	x	1
48A	4	EA-10890-4F	Pointer								x	x	x	x	x	x	x	x	x	2
48A	4	EA-12405AN-39	Dial								x									1
48A	4	EA-12405AN-52	Dial									x								1
48A	5	EA-12405AN-65	Dial										x							1
48A	5	EA-12405AN-82	Dial											x						1
48A	5	EA-12405AN-89	Dial												x					1
48A	5	EA-12405AN-94	Dial													x				1
48A	5	EA-12405AN-102	Dial														x			1
48A	5	EA-12405AN-104	Dial															x		1
48A	6	EA-47092	Screw—Brass, Binding Hd., No. 2-56 x 1/8 in. Long								x	x	x	x	x	x	x	x	x	1
48A	6	NPT-124AN-39	Nameplate								x									1
48A	7	NPS-124AN-52	Nameplate									x								1
48A	7	NPS-124AN-65	Nameplate										x							1
48A	7	NPS-124AN-82	Nameplate											x						1
48A	7	NPS-124AN-89	Nameplate												x					1
48A	7	NPS-124AN-94	Nameplate													x				1
48A	7	NPS-124AN-102	Nameplate														x			1
48A	7	NPS-124AN-104	Nameplate															x		1
48A	8	AN515B2-3	Screw—Brass, Bl. Ox., Rd. Hd., No. 2-56 x 3/16 in. Long								x	x	x	x	x	x	x	x	x	2
48A	9	EA-12401AN-5	Back Plate Assembly								x				x	x	x	x	x	1
48A	9	EA-12401AN-1	Back Plate Assembly									x	x	x						1
48A	10	AN515B6-5	Screw—Brass, N. Plate, Rd. Hd. No. 6-32 x 5/16 in. Long								x	x	x	x	x	x	x	x	x	3
48A	11	AN935B6	Washer—Lock, Bronze, No. 6								x	x	x	x	x	x	x	x	x	3
48A	12	EA-1630	Lug—Solder								x	x	x	x	x	x	x	x	x	2
48A	13	EA-12403AN-1	Back Plate Sub Assembly								x	x	x	x	x	x	x	x	x	1
48A	14	EA-19051-3	Back Plate								x	x	x	x	x	x	x	x	x	1
48A	15	EA-19050-1	Adapter								x	x	x	x	x	x	x	x	x	1
48A	16	EA-4551	Gasket								x	x	x	x	x	x	x	x	x	1
48A	17	EA-7938-7	Receptacle Assembly								x	x	x	x	x	x	x	x	x	1
48A	18	AN500B4-11	Screw—Brass, N. Plate, Fil. Hd., No. 4-40 x 11/16 in. Long								x	x	x	x	x	x	x	x	x	4
48A	19	AN935B4	Washer—Lock, Bronze No. 4								x	x	x	x	x	x	x	x	x	4
48A	20	EA-19092	Gasket								x	x	x	x	x	x	x	x	x	1
48A	21	EA-12402AN-1	Mounting Plate Assembly									x	x	x						1
48A	21	EA-12402AN-4	Mounting Plate Assembly								x				x	x	x	x	x	1
48A	10	AN515B6-5	Screw—Brass, N. Plate, Rd. Hd., No. 6-32 x 5/16 in. Long								x	x	x	x	x	x	x	x	x	3
48A	11	AN935B6	Washer—Lock, Bronze No. 6								x	x	x	x	x	x	x	x	x	3
48A	22	EA-19063	Mounting Plate								x	x	x	x	x	x	x	x	x	1
48A	23	EA-7960	Screw								x	x	x	x	x	x	x	x	x	2
48A	24	EA-19055	Sub-Dial								x	x	x	x	x	x	x	x	x	1
48A	25	EA-10078-1	Resistor									x	x	x						1
48A	25	EA-10078-9	Resistor								x				x	x	x	x	x	1
48A	26	EA-10210A7	Mechanism (120°)								x	x	x	x	x	x	x	x	x	1
48A	27	EA-10210B7	Mechanism (120°)								x	x	x	x	x	x	x	x	x	1
48A	28	EA-19003-2	Saddle Assembly—Mechanism								x	x	x	x	x	x	x	x	x	2
62A	28A	EA-19058	Saddle—Mechanism								x	x	x	x	x	x	x	x	x	1
62A	28B	EA-19059	Bracket—Mechanism								x	x	x	x	x	x	x	x	x	1
62A	28C	AN515B6-5	Screw—Brass, N. Plate, Rd. Hd., No. 6-32 x 5/16 in. Long								x	x	x	x	x	x	x	x	x	1
62A	28D	AN935B6	Washer—Lock, Bronze No. 6								x	x	x	x	x	x	x	x	x	1
62A	28E	EA-15016	Clamp—Mechanism								x	x	x	x	x	x	x	x	x	1
62A	28F	EA-15011	Clamp—Pressure								x	x	x	x	x	x	x	x	x	1
62A	28G	AN500B6-7	Screw—Brass, N. Plate, Fil. Hd. No. 6-32 x 7/16 in. Long								x	x	x	x	x	x	x	x	x	1
62A	28H	AN935B6	Washer—Lock, Bronze No. 6								x	x	x	x	x	x	x	x	x	2
62A	28J	EA-47012	Nut—Brass Hex. N. Plate No. 6-32								x	x	x	x	x	x	x	x	x	1

EO 20-85BA-4

Section II
Group Assembly Parts List

EA-124-32 All Parts same as on Figures 46, 47, & 48
Except—Dial Part No. EA-12405-32 and
Name Plate Part No. NPC-124-32

RESCINDED



RESCINDED

EO 20-85BA-4

Section II
Group Assembly Parts List

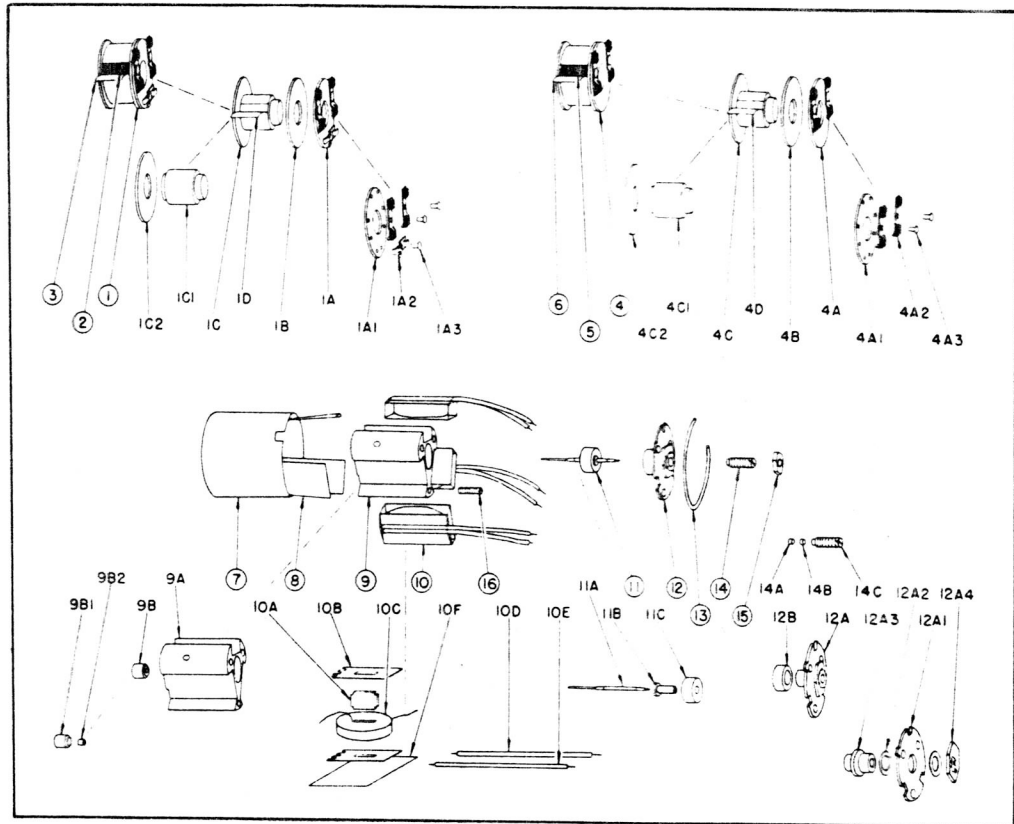


Figure 49—Exploded View of Mechanism and Resistors
for EA-124-24, 25 and -26 Indicators

Fig. No.	Index No.	Part No.	Nomenclature	EA-124-24			EA-124-25	EA-124-26	Units Per Assy
				1	2	3	4	5	
49	4A3	EA-10064	Eyelet				x	x	2
49	4B	EA-10060	Head				x	x	1
49	4C	EA-10093	Hub Assembly				x	x	1
49	4C1	EA-10062	Hub				x	x	1
49	4C2	EA-10060	Head				x	x	1
49	4D	EA-7928	Tape—Insulating				x	x	1
49	5	EA-7912-30	Wire—Nichrome				x	x	1
49	6	EA-7928	Tape—Insulating				x	x	1
48	7F	EA-1562	Washer—Lock, No. 6				x	x	4
48	7G	AN500B6-4	Screw, fil hd 6 32 x 1/4 in.				x	x	4
48	7H	EA-7914-4	Wire—White connection				x	x	1
48	7J	EA-7930-4	Wire—Red connection				x	x	1
48	7K	*EA-10210A7	Mechanism Assembly				x	x	1
49	7	EA-10289	Shell				x	x	1
49	8	EA-10374	Cup—Insulating				x	x	1
49	9	EA-10390	Form Assembly—Coil				x	x	1
49	9A	EA-10360	Form—Coil				x	x	1
49	9B	EA-10395	Bearing Assembly—Rear				x	x	1
49	9B1	EA-10372	Holder—Jewel				x	x	1
49	9B2	EA-10371	Jewel—Sapphire				x	x	1
49	10	EA-10391	Winding Assembly—Coil				x	x	2
49	10A	EA-10361	Core—Coil				x	x	1
49	10B	EA-10362	End—Coil				x	x	2
49	10C	EA-7913-42	Wire—Copper				x	x	1
49	10D	EA-7947-11	Wire—Red connection				x	x	1
49	10E	EA-7948-11	Wire—White connection				x	x	1
49	10F	EA-10380	Insulation—Coil form				x	x	1
49	10	EA-10391-2	Winding Assembly—Coil				x	x	1
49	10A	EA-10361	Core—Coil				x	x	1
49	10B	EA-10362	End—Coil				x	x	2
49	10C	EA-7913-40	Wire—Copper				x	x	1
49	10D	EA-7947-11	Wire—Red connection				x	x	1
49	10E	EA-7948-11	Wire—White connection				x	x	1

Section II
Group Assembly Parts List

EO 20-85BA-4

Fig. No.	Index No.	Part No.	Nomenclature	Units			
				EA-124-24	EA-124-25	EA-124-26	Per Assy
49	10F	EA-10380	Insulation—Coil form	x	x	x	1
49	11	EA-10209B-10	Rotor Assembly	x	x	x	1
49	11A	EA-10237	Shaft—Rotor	x	x	x	1
49	11B	EA-10249	Bushing—Rotor	x	x	x	1
49	11C	EA-10233A	Magnet—Rotor	x	x	x	1
49	12	EA-10393	Magnet Assembly—Return	x	x	x	1
49	12A	EA-10392	Plate Assembly—Back	x	x	x	1
49	12A1	EA-10364	Plate—Back	x	x	x	1
49	12A2	EA-10363	Washer—Friction	x	x	x	2
49	12A3	EA-10366	Regulator	x	x	x	1
49	12A4	EA-10365	Adjustment—Return	x	x	x	1
49	12B	EA-10368	Magnet—Return	x	x	x	1
49	13	EA-10367	Ring—Snap	x	x	x	1
49	14	EA-10394	Bearing Assembly—Rear	x	x	x	1
49	14A	EA-10371	Bearing—Ring jewel	x	x	x	1
49	14B	EA-10370	Bearing—End jewel	x	x	x	1
49	14C	EA-10373	Holder—Jewel, rear	x	x	x	1
49	15	EA-10260	Nut—Lock	x	x	x	1
49	16	EA-10229	Screw—Adjusting	x	x	x	AR
48	7L	*EA-10210B-7	Mechanism Assembly	x	x	x	1
49	7	EA-10289	Shell	x	x	x	1
49	8	EA-10374	Cup—Insulating	x	x	x	1
49	9	EA-10390	Form Assembly—Coil	x	x	x	1
49	9A	EA-10360	Form—Coil	x	x	x	1
49	9B	EA-10395	Bearing Assembly—Rear	x	x	x	1
49	9B1	EA-10372	Holder—Jewel	x	x	x	1
49	9B2	EA-10371	Jewel—Sapphire	x	x	x	1
49	10	EA-10391	Winding Assembly—Coil	x	x	x	2
49	10A	EA-10361	Core—Coil	x	x	x	1
49	10B	EA-10362	End—Coil	x	x	x	2
49	10C	EA-7913-42	Wire—Copper	x	x	x	1
49	10D	EA-7947-11	Wire—Red connection	x	x	x	1
49	10E	EA-7948-11	Wire—White connection	x	x	x	1
49	10F	EA-10380	Insulation—Coil form	x	x	x	1
49	10	EA-10391-2	Winding Assembly—Coil	x	x	x	1
49	10A	EA-10361	Core—Coil	x	x	x	1
49	10B	EA-10362	End—Coil	x	x	x	2
49	10C	EA-7913-40	Wire—Copper	x	x	x	1
49	10D	EA-7947-11	Wire—Red connection	x	x	x	1
49	10E	EA-7948-11	Wire—White connection	x	x	x	1
49	10F	EA-10380	Insulation—Coil form	x	x	x	1
49	11	EA-10209B-10	Rotor Assembly	x	x	x	1
49	11A	EA-10237	Shaft—Rotor	x	x	x	1
49	11B	EA-10249	Bushing—Rotor	x	x	x	1
49	11C	EA-10233A	Magnet—Rotor	x	x	x	1
49	12	EA-10393	Magnet Assembly—Return	x	x	x	1
49	12A	EA-10392	Plate Assembly—Back	x	x	x	1
49	12A1	EA-10364	Plate—Back	x	x	x	1
49	12A2	EA-10363	Washer—Friction	x	x	x	2
49	12A3	EA-10366	Regulator	x	x	x	1
49	12A4	EA-10365	Adjustment—Return	x	x	x	1
49	12B	EA-10368	Magnet—Return	x	x	x	1
49	13	EA-10367	Ring—Snap	x	x	x	1
49	14	EA-10394	Bearing Assembly—Rear	x	x	x	1
49	14A	EA-10371	Bearing—Ring jewel	x	x	x	1
49	14B	EA-10370	Bearing—End jewel	x	x	x	1
49	14C	EA-10373	Holder—Jewel, rear	x	x	x	1
49	15	EA-10260	Nut—Lock	x	x	x	1
49	16	EA-10229	Screw—Adjusting	x	x	x	AR
48	7M	*EA-10825	Insert	x	x	x	4
48	7N	EA-10812	Screw—Set	x	x	x	4
48	8	EA-10410-14	Case Assembly	x	x	x	1
48	8A	EA-14324-8	Case	x	x	x	1
48	8B	EA-7939-1	Receptacle Assembly	x	x	x	1
48	8B1	AN3102-14S-6P	Receptacle	x	x	x	1
48	8B2	EA-7917-9	Wire—Green connection	x	x	x	1
48	8B3	EA-7914-6	Wire—Blue connection	x	x	x	1
48	8B4	EA-7916-9	Wire—Yellow connection	x	x	x	1
48	8B5	EA-7919-6	Wire—White connection	x	x	x	1
48	8B6	EA-7915-6	Wire—Red connection	x	x	x	1

RESCINDED

EO 20-85BA-4

Section II
Group Assembly Parts List

Fig. No.	Index No.	Part No.	Nomenclature							Units Per Assy
			1	2	3	4	5	6	7	
		EA-125AN-2	INDICATOR							
49A	1	AN510B3-3								3
49A	2	EA-19011-1								1
49A	2A	EA-19008								1
49A	2B	EA-19056								1
49A	2C	EA-19057								1
49A	3	EA-10890-1								1
49A	4	EA-10890-9								2
49A	5	EA-12505AN-2								1
49A	6	AN515B2-2								2
49A	7	NPC-125AN-2								1
49A	8	AN515B2-3								2
49A	9	EA-12501AN-1								1
49A	10	EA-19002-4								1
49A	11	EA-19050-2								1
49A	12	EA-7941-8								1
49A	13	500B4-13								4
49A	14	AN935B4								4
49A	15	EA-47012								3
49A	16	AN935B6								3
49A	17	EA-1205AN-1								1
49A	18	EA-19066								1
49A	19	EA-7960								3
49A	20	EA-19060								1
49A	21	AN515B6-5								6
49A	22	AN935B6								6
49A	23	AN960B6								1
49A	24	660-51								1
49A	25	*EA-10083-1								2
49A	26	*EA-10078-1								1
49A	27	EA-10210C-6								2
49A	28	EA-10210C-7								1
49A	29	EA-19003-5								2
49A	30	EA-19003-6								1
49A	29A	EA-19058								1
49A	29B	EA-15016								1
49A	29C	EA-15011								1
49A	29D	AN500B6-7								1
49A	29E	AN935B6								1
49A	29F	EA-47012								1

FOR EA-19003-5 AND EA-19003-6

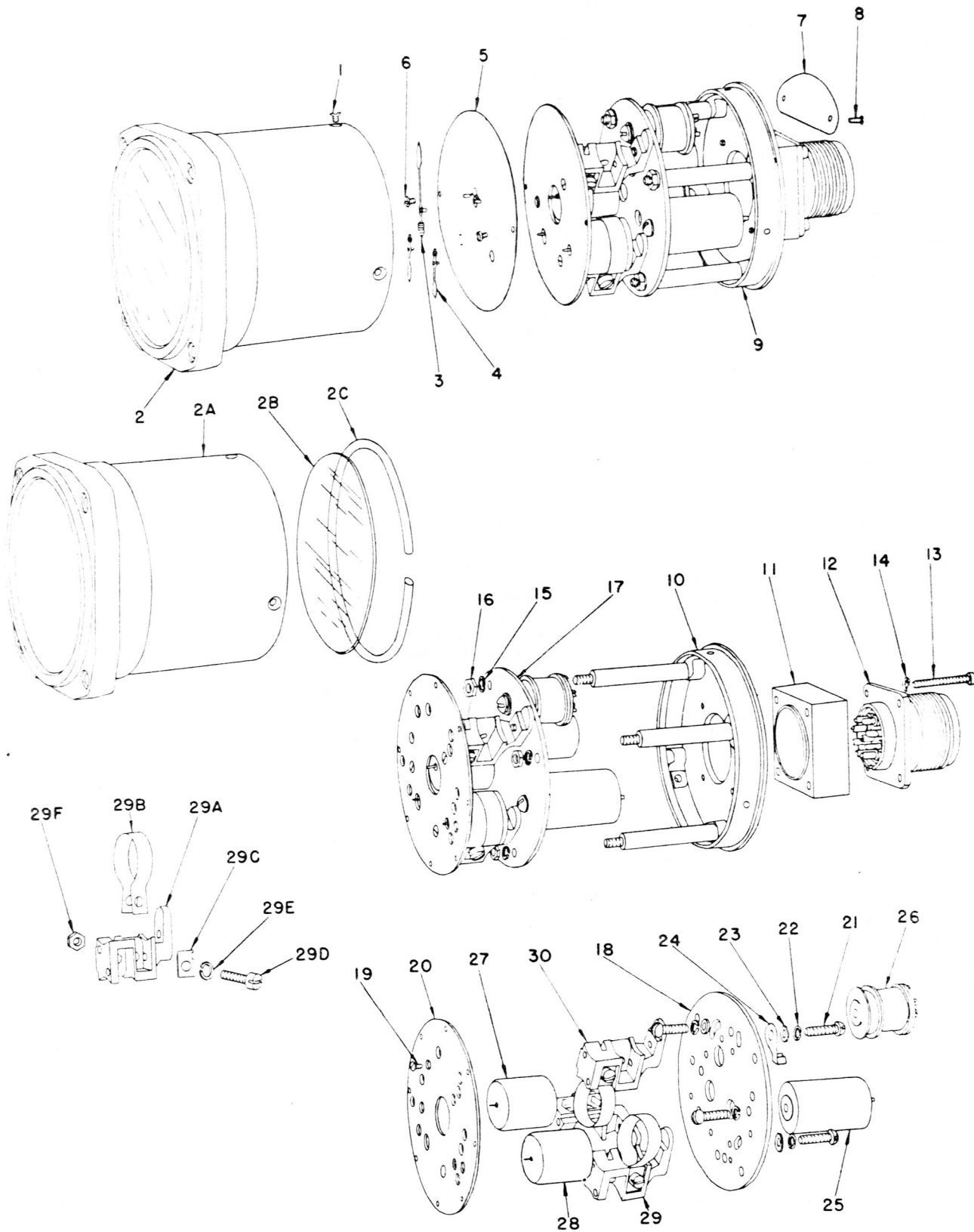


Figure 49A—Indicator EA-125AN

Fig. No.	Index No.	Part No.	Nomenclature	EA-124-24 EA-124-25 EA-124-26			Units Per Assy
				1	2	3	
48	8B7	EA-7918-7	Wire—Black connection				1
48	8C	70401-1	Rivet	x	x	x	4
48	9	NPC-124-25	Plate—Name	x			1
48	9	NPC-124-25	Plate—Name		x		1
48	9	NPC-124-26	Plate—Name			x	1
48	10	AN501B1-3	Screw, fil hd 1 72 x 3/16 in.	x	x	x	2
48	11	AN345B-1	Nut, hex 1 72	x	x	x	2
48	12	70558	Screw, FH 3 56 x 5/32 in.	x	x	x	4



Fig. No.	Index No.	Part No.	Nomenclature	EA-134-1			Units Per Assy
				1	2	3	
		EA-134	Indicator				1
50	1	EA-47099-5	Case Assembly				1
50	1A	EA-4712-5	Case—Indicator				1
50	1B	EA-4759	Nut—Stop				4
50	1C	EA-4758	Bracket—Anchor nut				4
50	1D	EA-47031	Rivet				8
50	1E	EA-13413	Glass				1
50	1F	EA-13412	Shield—Dial				2
50	1G	AN505B2-4	Screw, FH 2 56 x 1/4 in.				6
50	1H	EA-5495	Washer—Lock				6
50	1J	AN340B2	Nut, hex 2 56				6
50	2	*EA-10890-4	Pointer Assembly				4
50	2A	EA-10888	Body—Pointer				1
50	2B	EA-10146-4	Weight—Pointer				1
50	2C	EA-10893-1	Hub—Pointer				1

RESCINDED

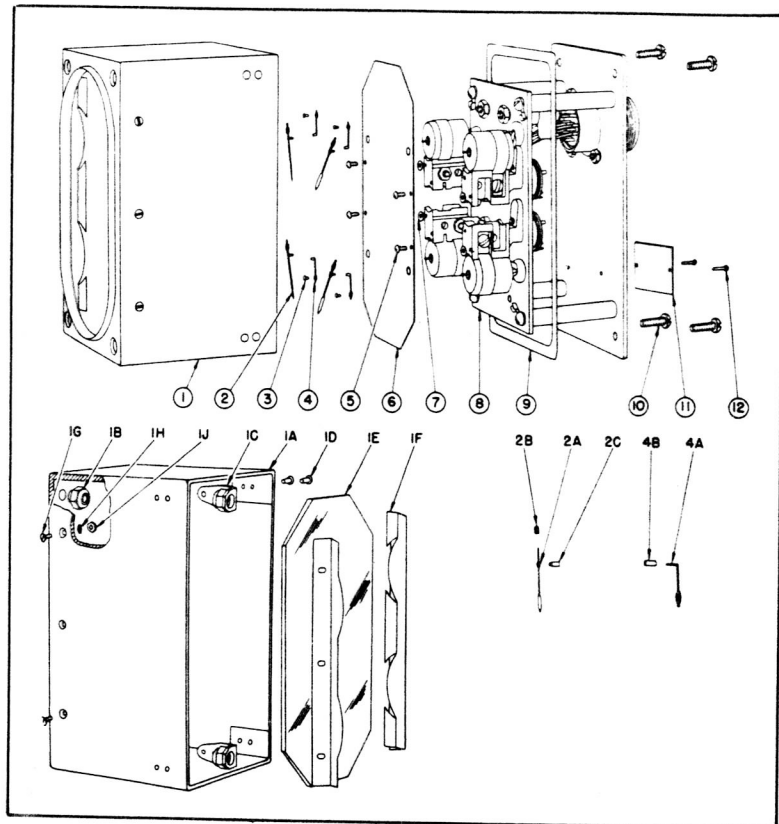


Figure 50—Exploded View of Main Assembly for EA-134-1 Indicator

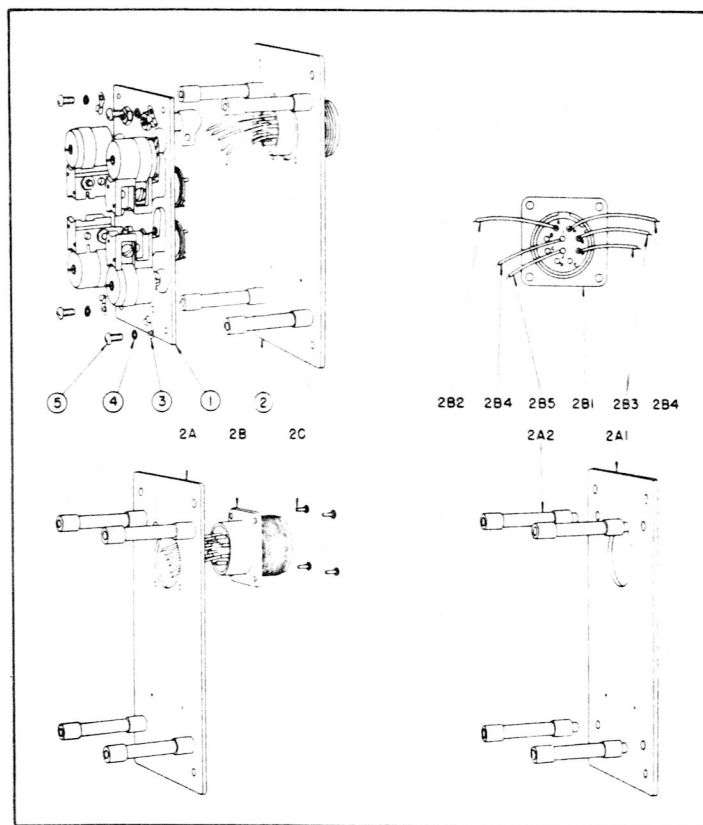


Figure 51—Exploded View of Mounting Plate Assembly
for EA-134-1 Indicator

Fig. No.	Index No.	Part No.	Nomenclature	EA-134-1	Units Per Assy
50	3	EA-10064	Eyelet		4
50	4	EA-12843-5	Stop Assembly—Pointer		4
50	4A	EA-12844-4	Holder—Pointer stop		1
50	4B	EA-12845	Sleeve—Pointer stop		1
50	5	AN515B2-3	Screw, RH 2 56 x 3/16 in.		4
50	6	EA-13405-1	Dial		1
50	7	EA-5495	Washer		4
50	8	EA-13401-1	Plate Assembly—Back		1
51	1	EA-13402-1	Plate Assembly—Mounting		1
52	1	EA-13411	Plate Mounting		1
52	2	EA-47025	Grommet		4
52	3	EA-19003-6	Saddle Assembly		2
52	3A	EA-19058	Saddle—Mechanism		1
52	3B	EA-15016	Clamp—Mechanism		1
52	3C	EA-15011	Clamp—Pressure		1
52	3D	AN500B6-7	Screw, fil hd 6 32 x 7/16 in.		1
52	3E	EA-1562	Washer—Lock, No. 6		1
52	3F	EA-47012	Nut, hex		1
52	4	EA-19003-5	Saddle Assembly		2
52	3A	EA-19058	Saddle—Mechanism		1
52	3B	EA-15016	Clamp—Mechanism		1
52	3C	EA-15011	Clamp—Pressure		1
52	3D	AN500B6-7	Screw, fil hd 6 32 x 7/16 in.		1
52	3E	EA-1562	Washer—Lock		1
52	3F	EA-47012	Nut, hex		1
52	5	*EA-10210A7	Mechanism Assembly		2
53	4	EA-10289	Shell		1
53	5	EA-10374	Cup—Insulating		1
53	6	EA-10390	Form Assembly—Coil		1
53	6A	EA-10360	Form—Coil		1
53	6B	EA-10395	Bearing Assembly—Rear		1
53	6B1	EA-10372	Holder—Jewel		1
53	6B2	EA-10371	Jewel—Sapphire		1

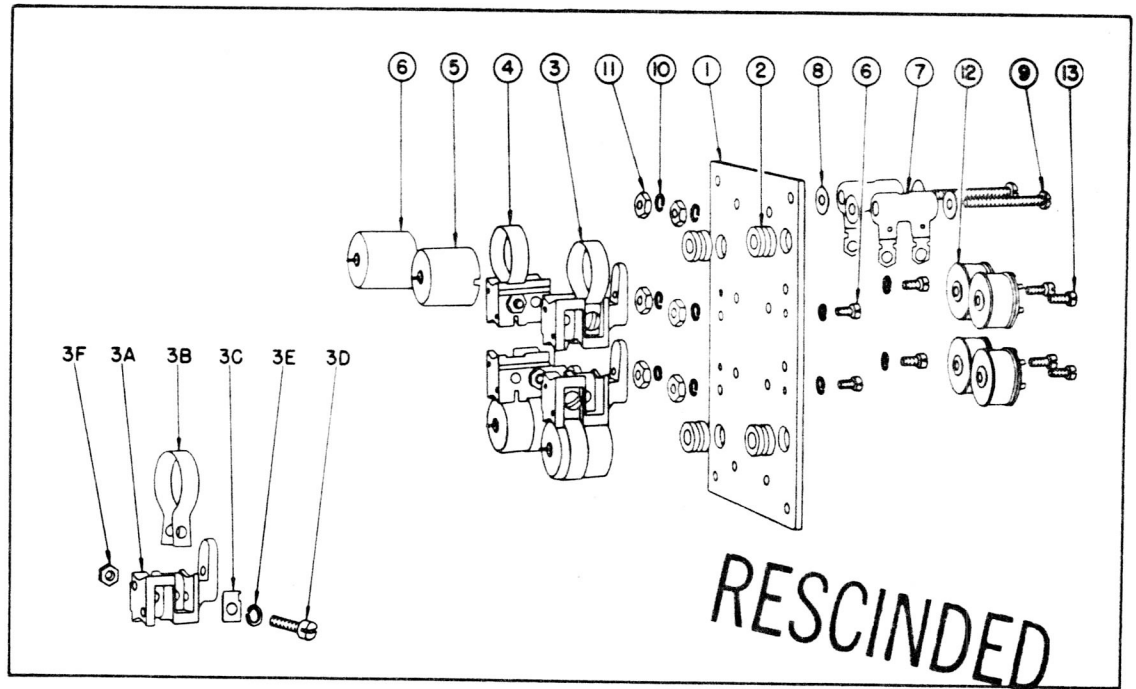


Figure 52—Exploded View of Mounting Plate
Sub Assembly for EA-134-1 Indicator

Fig. No.	Index No.	Part No.	Nomenclature	EA-134-1	Units Per Assy
53	7	EA-1039Γ	Winding Assembly—Coil		2
53	7A	EA-10361	Core—Coil		1
53	7B	EA-10362	End—Coil		2
53	7C	EA-7913-42	Wire—Copper		1
53	7D	EA-7947-11	Wire—Red connection		1
53	7E	EA-7948-11	Wire—White connection		1
53	7F	EA-10380	Insulation—Coil form		1
53	7	EA-10391-2	Winding Assembly—Coil		1
53	7A	EA-10361	Core—Coil		1
53	7B	EA-10362	End—Coil		2
53	7C	EA-7913-40	Wire—Copper		1
53	7D	EA-7947-11	Wire—Red connection		1
53	7E	EA-7948-11	Wire—White connection		1
53	7F	EA-10380	Insulation—Coil form		1
53	8	EA-10209B-10	Rotor Assembly		1
53	8A	EA-10237	Shaft—Rotor		1
53	8B	EA-10249	Bushing—Rotor		1
53	8C	EA-10233A	Magnet—Rotor		1
53	9	EA-10393	Magnet Assembly—Return		1
53	9A	EA-10392	Plate Assembly—Back		1
53	9A1	EA-10364	Plate—Back		1
53	9A2	EA-10363	Washer—Friction		2
53	9A3	EA-10366	Regulator		1
53	9A4	EA-10365	Adjustment—Return		1
53	9B	EA-10368	Magnet—Return		1
53	10	EA-10367	Ring—Snap		1
53	11	EA-10394	Bearing Assembly—Rear		1
53	11A	EA-10371	Bearing—Ring jewel		1
53	11B	EA-10370	Bearing—End jewel		1
53	11C	EA-10373	Holder—Jewel, rear		1
53	12	EA-10260	Nut—Lock		1
53	13	EA-10229	Screw—Adjusting		AR
52	6	*EA-10210B7	Mechanism Assembly		2
53	4	EA-10289	Shell		1
53	5	EA-10374	Cup—Insulating		1
53	6	EA-10390	Form Assembly—Coil		1
53	6A	EA-10360	Form—Coil		1
53	6B	EA-10395	Bearing Assembly—Rear		1
53	6B1	EA-10372	Holder—Jewel		1

Section II
Group Assembly Parts List

EO 20-85BA-4

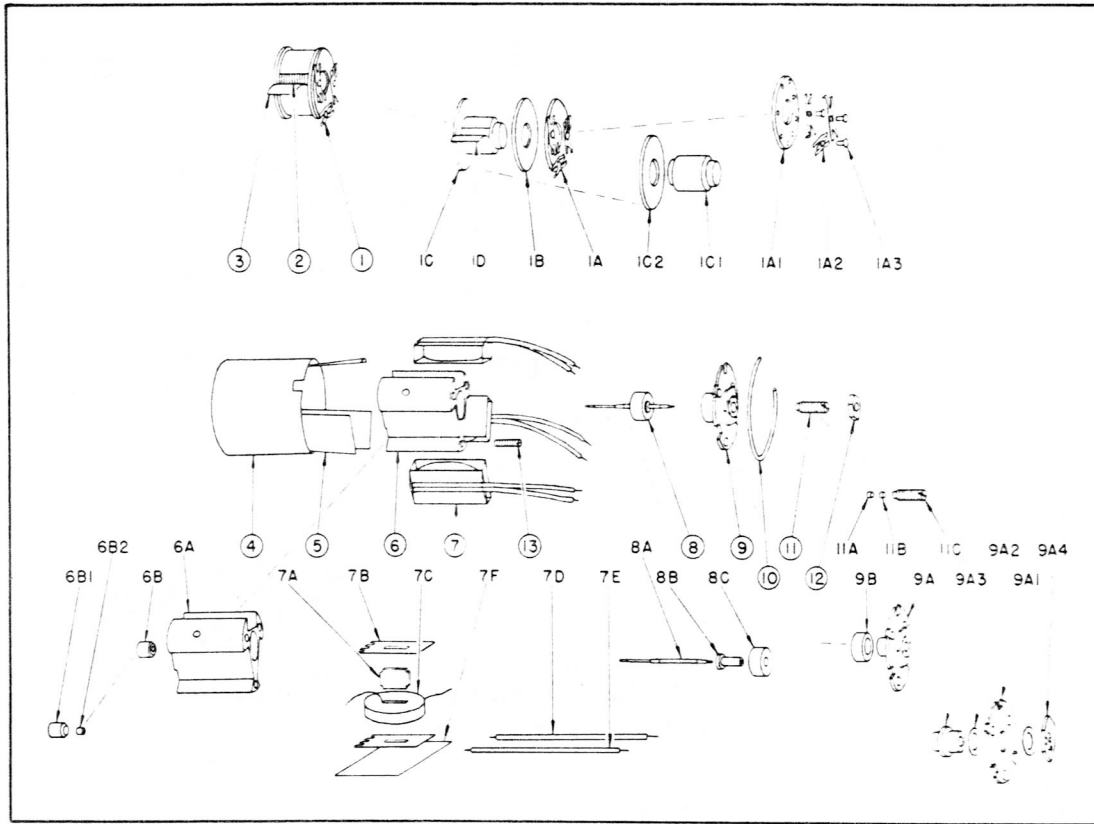


Figure 53—Exploded View of Mechanism and Resistor
for EA-134-1 Indicator

Fig. No.	Index No.	Part No.	Nomenclature	EA-134-1	Units Per Assy
53	6B2	EA-10371	Jewel—Sapphire		1
53	7	EA-10391	Winding Assembly—Coil		2
53	7A	EA-10361	Core—Coil		1
53	7B	EA-10362	End—Coil		2
53	7C	EA-7913-42	Wire—Copper		1
53	7D	EA-7947-11	Wire—Red connection		1
53	7E	EA-7948-11	Wire—White connection		1
53	7F	EA-10380	Insulation—Coil form		1
53	7	EA-10391-2	Winding Assembly—Coil		1
53	7A	EA-10361	Core—Coil		1
53	7B	EA-10362	End—Coil		2
53	7C	EA-7913-40	Wire—Copper		1
53	7D	EA-7947-11	Wire—Red connection		1
53	7E	EA-7948-11	Wire—White connection		1
53	7F	EA-10380	Insulation—Coil form		1
53	8	EA-10209B-10	Rotor Assembly		1
53	8A	EA-10237	Shaft—Rotor		1
53	8B	EA-10249	Bushing—Rotor		1
53	8C	EA-10233A	Magnet—Rotor		1
53	9	EA-10393	Magnet Assembly—Return		1
53	9A	EA-10392	Plate Assembly—Back		1
53	9A1	EA-10364	Plate—Back		1
53	9A2	EA-10363	Washer—Friction		2
53	9A3	EA-10366	Regulator		1
53	9A4	EA-10365	Adjustment—Return		1
53	9B	EA-10368	Magnet—Return		1
53	10	EA-10367	Ring—Snap		1
53	11	EA-10394	Bearing Assembly—Rear		1
53	11A	EA-10371	Bearing—Ring jewel		1
53	11B	EA-10370	Bearing—End jewel		1
53	11C	EA-10373	Holder—Jewel, rear		1
53	12	EA-10260	Nut—Lock		1
53	13	EA-10229	Screw—Adjusting		AR

Fig. No.	Index No.	Part No.	Nomenclature							EA-134-1	Units Per Assy
			1	2	3	4	5	6	7		
52	7	EA-47013-5									2
52	8	70366									4
52	9	AN515B6-20									2
52	10	EA-1562									10
52	11	EA-47012									6
52	12	*EA-10084-30									4
53	1	EA-10018-1									1
53	1A	EA-10019-1									1
53	1A1	EA-10060									1
53	1A2	EA-10067									3
53	1A3	EA-10064									3
53	1B	EA-10060									1
53	1C	EA-10093									1
53	1C1	EA-10062									1
53	1C2	EA-10060									1
53	1D	EA-7928									1
53	2	EA-7912-34									1
53	3	EA-7928									1
52	13	AN500B6-6									4
51	2	EA-13404-1									1
51	2A	EA-13403-2									1
51	2A1	EA-13447-2									1
51	2A2	EA-13414									4
51	2B	EA-7941-6									1
51	2B1	AN3102-18-1P									1
51	2B2	EA-7914-8									1
51	2B3	EA-7917-6									2
51	2B4	EA-7916-6									2
51	2B5	EA-7915-8									1
51	2C	70401-3									4
51	3	660-51									4
51	4	EA-1562									4
51	5	AN515B6-6									4
50	9	EA-47023									1
50	10	AN515B8-8									4
50	11	NPJ-134-1									1
50	12	AN430-2-4									2

RESCINDED

Fig. No.	Index No.	Part No.	Nomenclature							EA-140-4	EA-140-6	Units Per Assy
			1	2	3	4	5	6	7			
		EA-140										
54	1	EA-10191								x	x	1
54	1A	EA-10136								x	x	1
54	1B	*EA-10138								x	x	1
54	1C	EA-10119								x	x	1
54	2	EA-10166								x	x	8
54	3	*EA-10443								x	x	1
54	4	*EA-10890-9								x	x	4
54	4A	3992-9								x	x	1
54	4B	EA-10146-9								x	x	1
54	5	AN501B0-2								x	x	2
54	6	EA-14005-4								x		1
54	6	EA-14005-6								x		1
54	7	EA-14001D-1								x	x	1
54	7A	EA-14002C-1								x	x	1
54	7A1	EA-10115A-21								x	x	1
54	7A2	EA-10416								x	x	1
54	7A3	EA-10040								x	x	4
54	7A4	EA-108110-3								x	x	2
54	7A5	AN505B6-4								x	x	2
54	7B	*EA-10210C-6								x	x	4
55	6	EA-10289								x	x	1
55	7	EA-10374								x	x	1

Section II
Group Assembly Parts List

EO 20-85BA-4

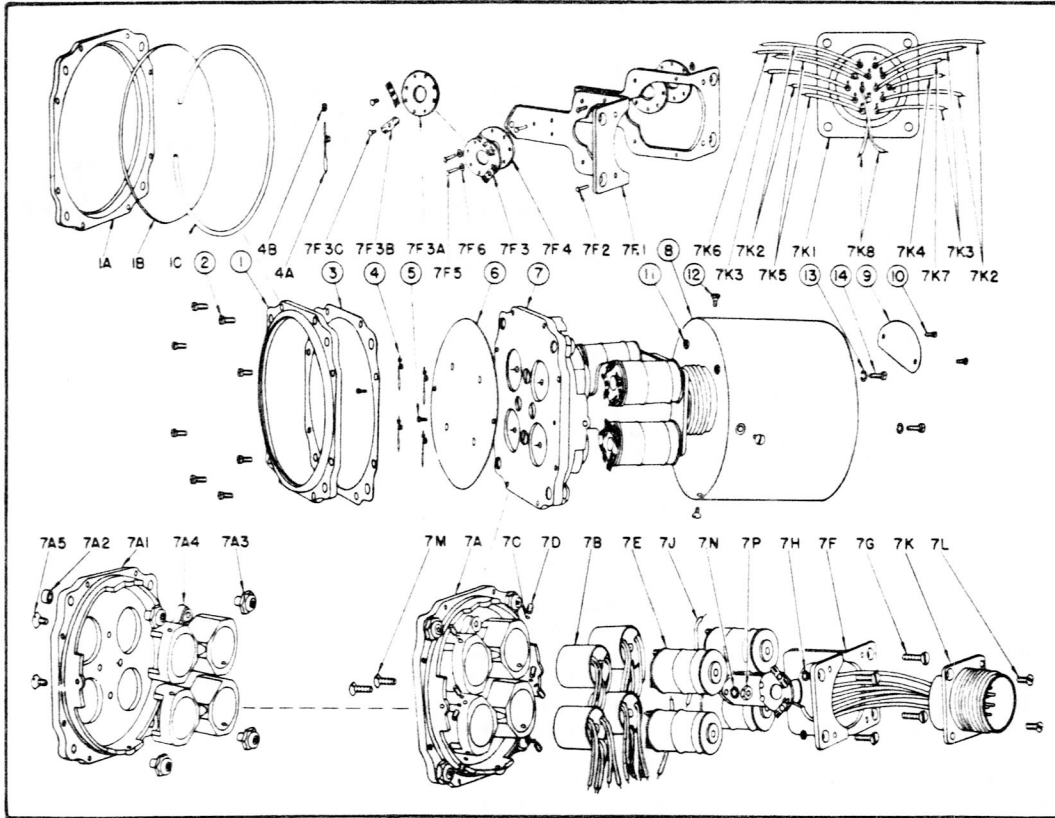


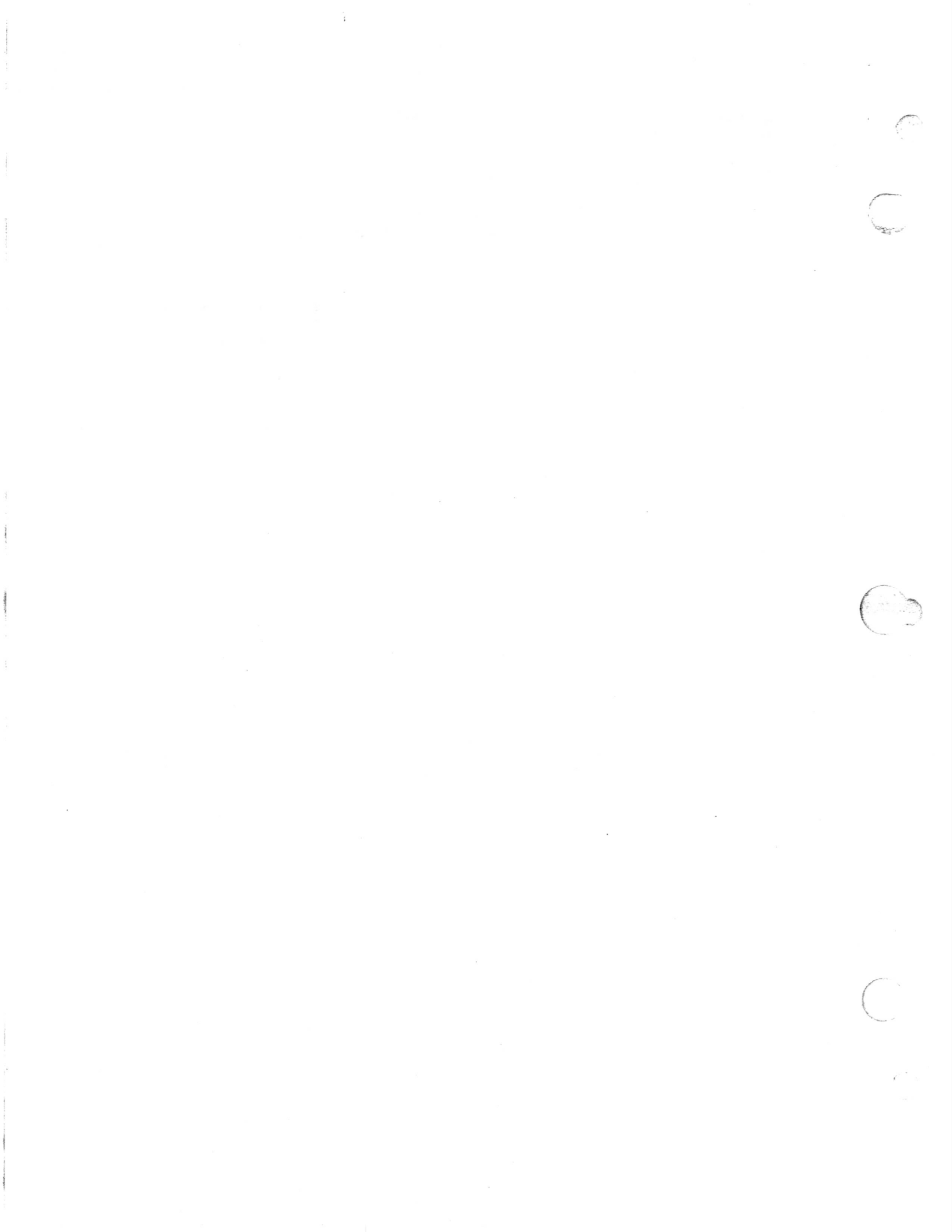
Figure 54—Exploded View of Main Assembly
for EA-140-4, and -6 Indicators

55	8	EA-10390	Form Assembly—Coil	x	x	1
55	8A	EA-10360	Form—Coil	x	x	1
55	8B	EA-10395	Bearing Assembly—Rear	x	x	1
55	8B1	EA-10372	Holder—Jewel	x	x	1
55	8B2	EA-10371	Jewel—Sapphire	x	x	1
55	9	EA-10391	Winding Assembly	x	x	3
55	9A	EA-10361	Core—Coil	x	x	1
55	9B	EA-10362	End—Coil	x	x	2
55	9C	EA-7913-42	Wire—Copper	x	x	1
55	9D	EA-7947-11	Wire—Red connection	x	x	1
55	9E	EA-7948-11	Wire—White connection	x	x	1
55	9F	EA-10380	Insulation—Coil form	x	x	1
55	10	EA-10209B-7	Rotor Assembly	x	x	1
55	10A	EA-10237	Shaft—Rotor	x	x	1
55	10B	EA-10249	Bushing—Rotor	x	x	1
55	10C	EA-10233A	Magnet—Rotor	x	x	1
55	11	EA-10393	Magnet Assembly—Return	x	x	1
55	11A	EA-10392	Plate Assembly—Back	x	x	1
55	11A1	EA-10364	Plate—Back	x	x	1
55	11A2	EA-10363	Washer—Friction	x	x	2
55	11A3	EA-10366	Regulator	x	x	1
55	11A4	EA-10365	Adjustment—Return	x	x	1
55	11B	EA-10368	Magnet—Return	x	x	1
55	12	EA-10367	Ring—Snap	x	x	1
55	13	EA-10394	Bearing Assembly—Rear	x	x	1
55	13A	EA-10371	Bearing—Ring jewel	x	x	1
55	13B	EA-10370	Bearing—End jewel	x	x	1
55	13C	EA-10373	Holder—Jewel, rear	x	x	1
55	14	EA-10260	Nut—Lock	x	x	1
55	15	EA-10229	Screw—Adjusting	x	x	AR
54	7C	*EA-10825	Insert	x	x	8
54	7D	EA-10812	Screw—Set	x	x	8
54	7E	*EA-10083-1	Resistor Assembly	x	x	4

Fig. No.	Index No.	Part No.	Nomenclature							Units Per Assy	
			1	2	3	4	5	6	7		
54		EA-140-5	Indicator								
54	6	EA-14005-5	Dial								1
54	9	NPF-140-5	Nameplate								1

ALL OTHER PARTS TO COMPLETE
INDICATOR FOUND ON FIGURE 54

RESCINDED



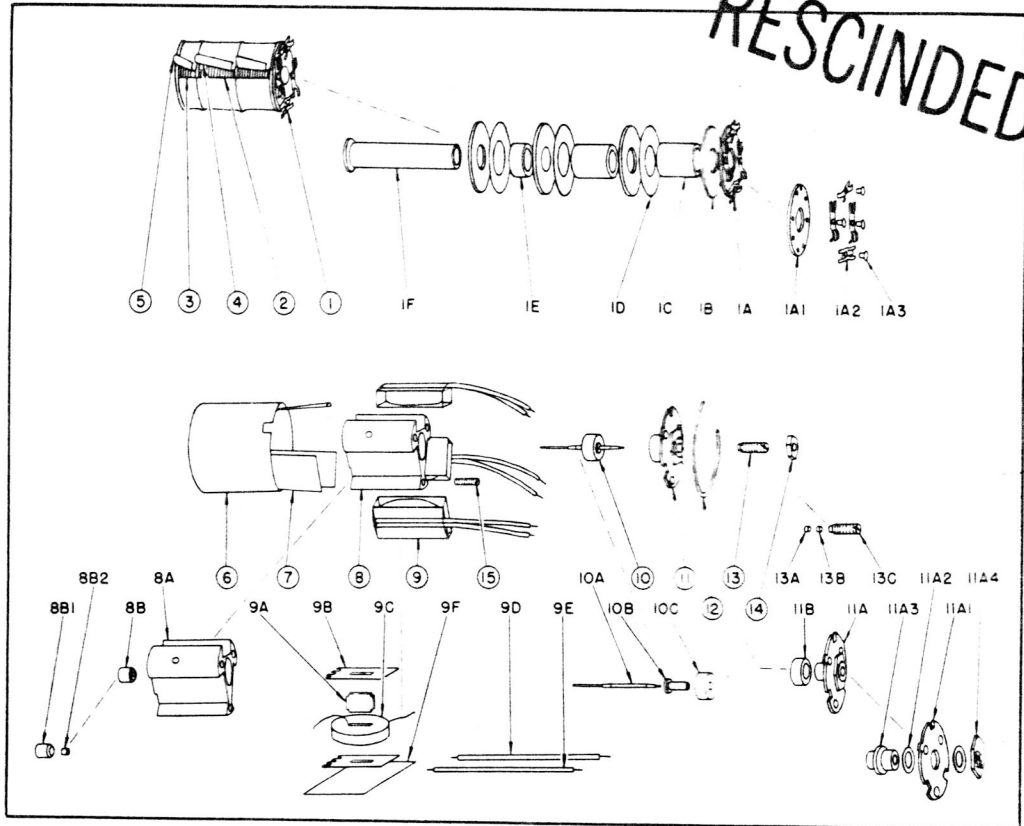


Figure 55—Exploded View of Mechanism and Resistor for EA-140-4, and -6 Indicators

Fig. No.	Index No.	Part No.	Nomenclature	EA-104-4	EA-140-6	Units Per Assy
55	1	EA-10410-2	1 2 3 4 5 6 7 Spool Assembly	x		1
55	1A	EA-10119-4	Plate Assembly—Top	x	x	1
55	1A1	EA-10060	Head	x	x	1
55	1A2	EA-10067	Lug—Terminal	x	x	4
55	1A3	EA-10064	Eyelet	x	x	4
55	1B	EA-10060	Head	x	x	4
55	1C	EA-14021-1	Spacer	x	x	2
55	1D	EA-14022	Washer—Insulating	x	x	3
55	1E	EA-14021-2	Spacer	x	x	1
55	1F	EA-14020	Core—Coil	x	x	1
55	2	EA-7912-30	Wire—Nichrome	x	x	2
55	3	EA-7912-32	Wire—Nichrome	x	x	1
55	4	EA-7950	Tape—Insulating	x	x	2
55	5	EA-7949	Tape—Insulating	x	x	1
54	7F	EA-14011-7	Bracket Assembly	x	x	1
54	7F1	EA-14011	Bracket	x	x	2
54	7F2	AN430-2-6	Rivet	x	x	3
54	7F3	EA-10019-5	Head Assembly	x	x	2
54	7F3A	EA-10060	Head	x	x	1
54	7F3B	EA-10064	Eyelet	x	x	2
54	7F3C	EA-10067	Lug—Terminal	x	x	2
54	7F4	EA-10060	Head	x	x	2
54	7F5	AN430-2-6	Rivet	x	x	2
54	7F6	EA-1582	Washer	x	x	2
54	7G	AN505B6-6	Screw, FH 6 32 x 3/8 in.	x	x	4
54	7H	EA-1562	Washer—Lock	x	x	4
54	7J	EA-7915-5	Wire—Red connection	x	x	2
54	7K	EA-7942-1	Receptacle Assembly	x	x	1
54	7K1	EA-17013-8	Receptacle	x	x	1
54	7K2	EA-7916-5	Wire—Yellow connection	x	x	4
54	7K3	EA-7917-5	Wire—Green connection	x	x	3
54	7K4	EA-7914-5	Wire—Blue connection	x	x	1
54	7K5	EA-7914-6	Wire—Blue connection	x	x	2

Section II
Group Assembly Parts List

EO 20-85BA-4

Fig. No.	Index No.	Part No.	Nomenclature	1	2	3	4	5	6	7	EA-140-4	EA-140-6	Units Per Assy
54	7K6	EA-7917-6	Wire—Green connection								x	x	1
54	7K7	EA-7914-7	Wire—Blue connection								x	x	1
54	7K8	EA-7915-6	Wire—Red connection								x	x	2
54	7L	AN510B4-3	Screw, FH 4 48 x 3/16 in.								x	x	2
54	7M	AN505B6-6	Screw, FH 6 32 x 3/8 in.								x	x	2
54	7N	EA-1562	Washer—Lock, No. 6								x	x	2
54	7P	EA-47012	Nut								x	x	2
54	8	EA-15024-5	Case								x	x	1
54	9	NPF-140-4	Plate—Name								x		1
54	9	NPC-140-6	Plate—Name									x	1
54	10	AN501B1-3	Screw, fil hd 1 72 x 3/16 in.								x	x	2
54	11	AN345B1	Nut, hex 1 72								x	x	2
54	12	70558	Screw, FH 3 56 x 5/32 in.								x	x	4
54	13	EA-1535	Washer—Lock								x	x	2
54	14	AN510B4-5	Screw, fil hd 4 48 x 5/16 in.								x	x	2



Fig. No.	Index No.	Part No.	Nomenclature	1	2	3	4	5	6	7	EA-143A-1M	Units Per Assy
56	1	EA-143A-1M	Indicator									1
57	1	EA-10118A	Bezel Assembly									1
57	1	EA-14308	Bezel Sub Assembly									1
57	1A	EA-14364	Bezel									1

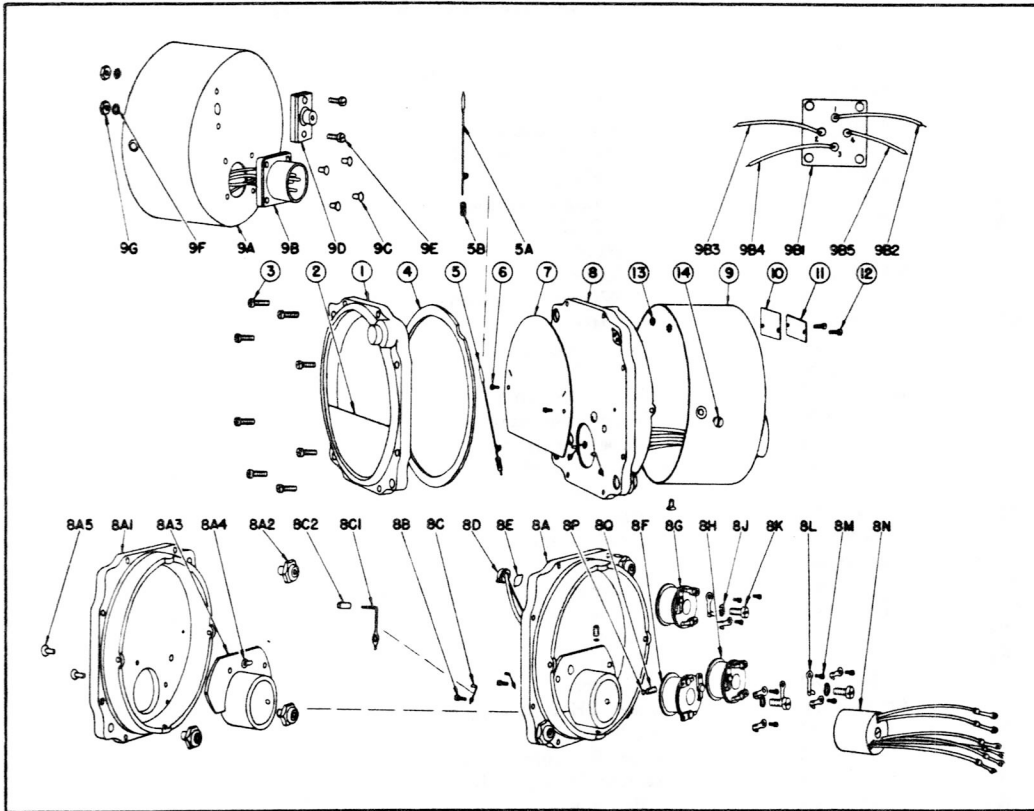


Figure 56—Exploded View of Main Assembly for EA-143A-1M Indicator

Fig. No.	Index No.	Part No.	Nomenclature							Units Per Assy
			1	2	3	4	5	6	7	
56A		EA-143AN-8	Indicator							3
56A	1	AN510B3-3	Screw							1
56A	2	EA-19010-3	Case Assembly							1
56A	2A	EA-19053-3	Case							1
56A	2B	EA-19056	Glass							1
56A	2C	EA-19057	Snap-Ring							1
56A	3	EA-19034	Shield							1
56A	4	EA-10890-7Y	Pointer							1
56A	5	EA-14305AN-8	Dial							1
56A	6	AN515B2-2	Screw							2
56A	7	NPU143-8	Nameplate							1
56A	8	AN515B2-3	Screw							2
56A	9	EA-14301AN-1	Back Plate Assembly							1
56A	10	EA-14303AN-1	Back Plate Sub-Assembly (same as EA-10103AN-1 except for receptacle assembly)							1
56A	11	EA-19051-1	Back Plate							1
56A	12	EA-19050-1	Adaptor							1
56A	13	EA-4551	Gasket							2
56A	14	EA7936-9	Receptacle Assembly							1
56A	15	AN500B4-12	Screw							4
56A	16	AN935B4	Washer-Lock							4
56A	17	EA-19092	Gasket							1
56A	18	EA-14302AN-1	Mounting Plate Assembly							1
56A	19	AN515B6-5	Screw							3
56A	20	AN935B6	Washer-Lock							3
56A	21	EA-19063	Mounting Plate							1
56A	22	EA-7960	Screw							2
56A	23	EA-19055	Sub-Dial							1
56A	24	660-15	Lug-Solder							1
56A	25	EA-10078-2	Resistor							1
56A	26	EA-10210A6	Mechanism							1
56A	27	EA-19003-2	Saddle Assembly-Mechanism							1
56A	27A	EA-19058	Saddle-Mechanism (Matched Parts Assembled)							1
56A	27B	EA-19059	Bracket-Mechanism (Matched Parts Assembled)							1
56A	27C	AN515B6-5	Screw							1
56A	27D	AN935B6	Washer-Lock							1
56A	27E	EA-15016	Clamp-Mechanism							1
56A	27F	EA-15011	Clamp-Pressure							1
56A	27G	AN500B6-7	Screw							1
56A	27H	AN935B6	Washer-Lock							1
56A	27J	EA-47012	Nut							1

RESCINDED

Section II
Group Assembly Parts List

EO 20-85BA-4

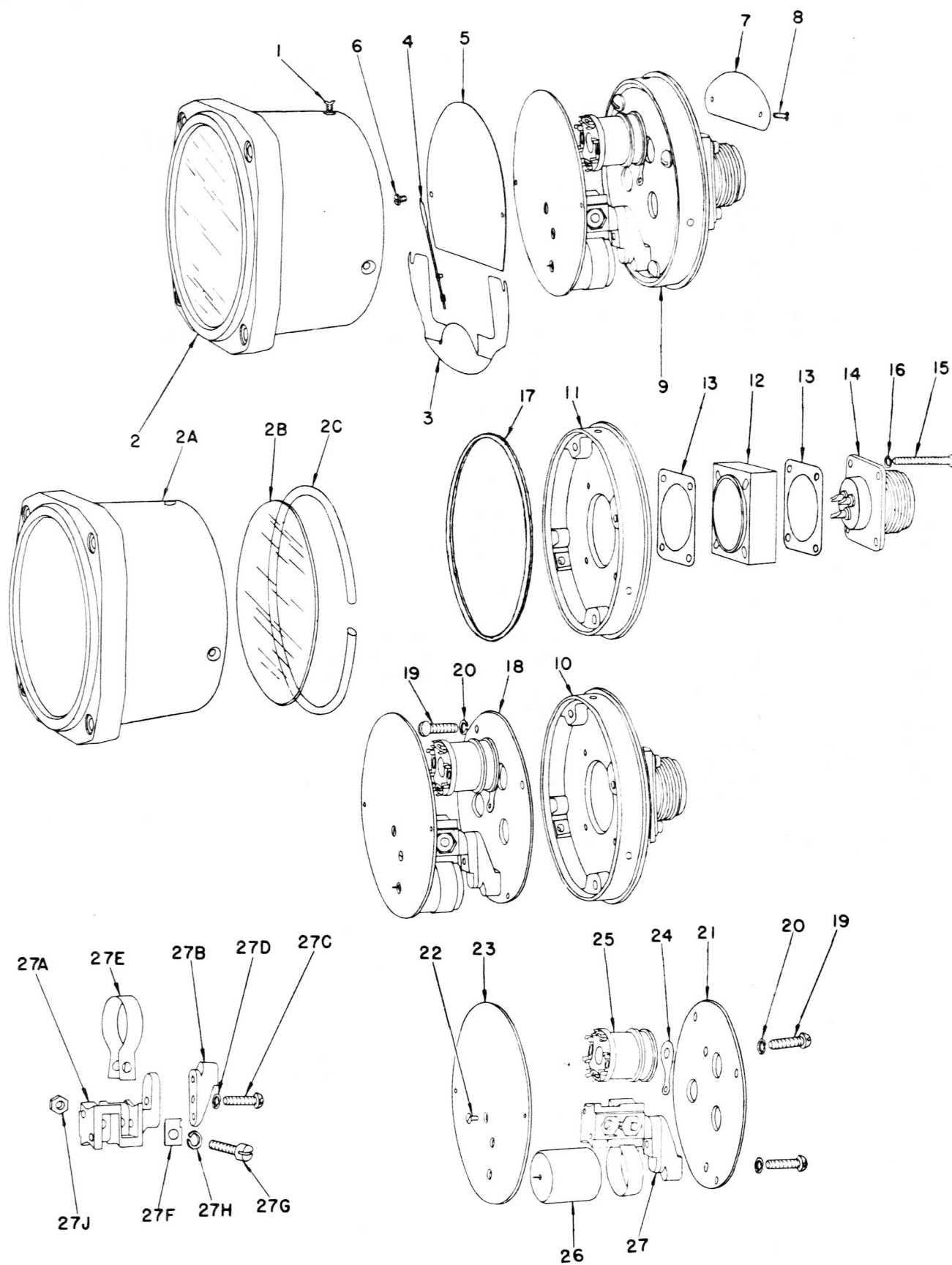


Figure 56A—Indicators EA-101AN and 143AN

Fig. No.	Index No.	Part No.	Nomenclature							Units Per Assy	
			1	2	3	4	5	6	7		
57	1B	EA-14354								Socket Assembly—Lamp	1
57	1B1	EA-14355								Insert—Retainer	1
57	1B2	EA-14356								Disc—Insulating	1
57	1B3	EA-14357								Sleeve	1
57	1B4	EA-14352								Washer—Insulation	1
57	1B5	EA-14358								Wire	2
57	1B6	EA-14371								Tubing—Insulating	2
57	1C	EA-14353								Spacer	1
57	1D	EA-14309								Contact Assembly	1
57	1D1	EA-14350								Disc—Contact	1
57	1D2	EA-14351								Contact	2
57	2	EA-1309								Lamp—Instrument	1
57	3	EA-14362								Gasket—Outer	1
57	4	*EA-10138								Glass	1
57	5	EA-14359								Window—Ring light	1
57	6	EA-14360								Ring—Light	1
56	2	EA-14333-3								Shield	1
56	3	EA-10165								Screw	8
56	4	*EA-10143B								Gasket—Bezel	1
56	5	*EA-10890-7L								Pointer Assembly	1
56	5A	3992-7								Blank—Pointer	1
56	5B	EA-10146-7								Weight—Pointer	1
56	6	AN501B0-2								Screw, fil hd 0 80 x 1/8 in.	2
56	7	EA-14305-1								Dial	1
56	8	EA-14351C-2								Plate Assembly—Mounting	1
56	8A	EA-14352C-1								Plate Sub Assembly—Mounting	1
56	8A1	EA-10115A-26								Plate—Mounting	1
56	8A2	EA-10040								Nut—Stop	3
56	8A3	EA-10075-3								Bracket—Mechanism	1
56	8A4	EA-1225								Lug—Solder	1
56	8A5	70400-1								Rivet	2
56	8B	AN501B0-2								Screw, fil hd 0 80 x 1/8 in.	2
56	8C	EA-12843-4								Stop Assembly—Pointer	2
56	8C1	EA-12844-4								Holder—Pointer stop	1
56	8C2	EA-12845								Sleeve—Pointer stop	1
56	8D	EA-10103A								Wire Assembly	1
57	7	EA-14304								Contact Assembly	1
57	7A	EA-14369								Plate	1
57	7B	EA-14370								Contact	2
57	8	EA-14366								Washer	1
57	9	EA-14367								Wire	2
57	10	EA-14368								Tubing	1
56	8E	EA-10153A								Insulator	1
56	8F	*EA-10080-19								Resistor Assembly	1
58	1	EA-10094-2								Spool Assembly	1
58	1A	EA-10096-2								Plate Assembly—Top	1
58	1A1	EA-10060								Head	1
58	1A2	EA-10063								Lug	3
58	1A3	EA-10267-1								Lug—Solder	3
58	1A4	EA-10064-1								Eyelet	3
58	1B	EA-10060								Head	1
58	1C	EA-10093								Hub Assembly	1
58	1C1	EA-10062								Hub	1
58	1C2	EA-10060								Head	1
58	1D	EA-7928								Tape—Insulating	1
58	2	EA-7912-26								Wire	1
58	3	EA-7928								Tape—Insulating	1
56	8G	*EA-10080-15								Resistor Assembly	1
58	4	EA-10094-1								Spool Assembly	1
58	4A	EA-10096-1								Plate Assembly—Top	1
58	4A1	EA-10060								Head	1
58	4A2	EA-10063								Lug	3
58	4A3	EA-10267-1								Lug—Solder	3
58	4A4	EA-10064-1								Eyelet	3
58	4B	EA-10060								Head	1
58	4C	EA-10093								Hub Assembly	1
58	4C1	EA-10062								Hub	1
58	4C2	EA-10060								Head	1
58	4D	EA-7928								Tape—Insulating	1
58	5	EA-7912-34								Wire—Nichrome	1

RESCINDED

Section II
Group Assembly Parts List

EO 20-85BA-4

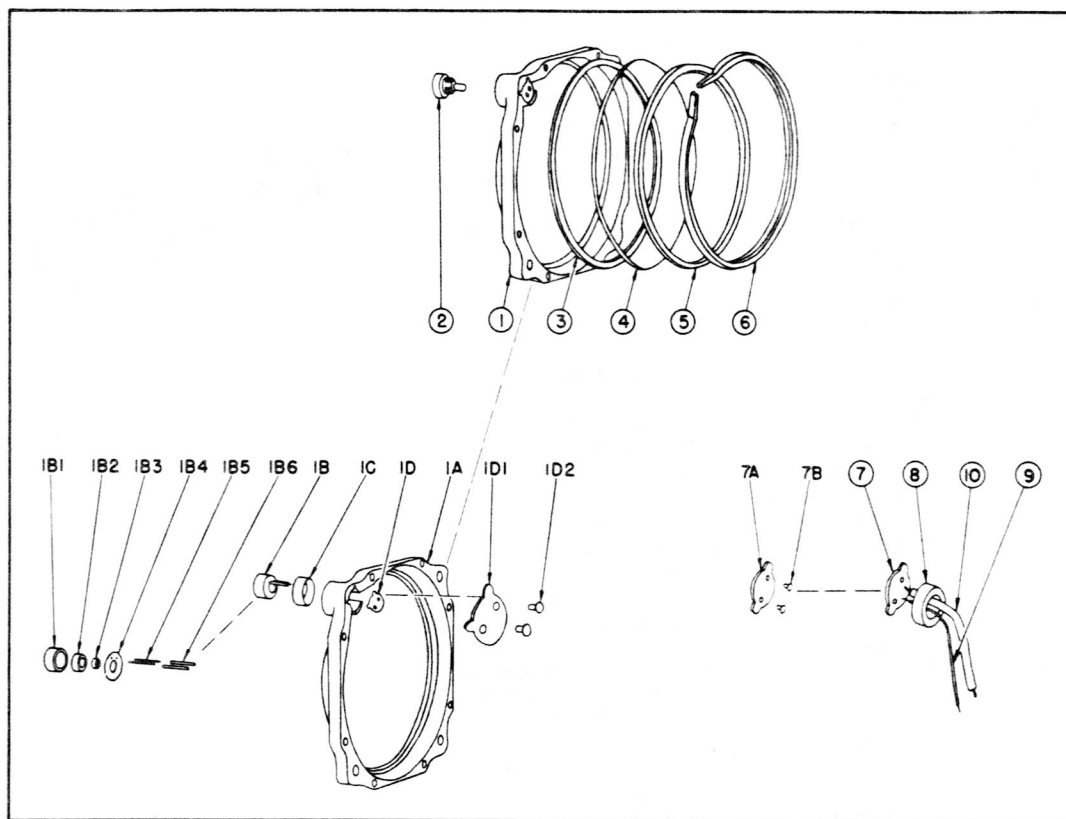


Figure 57—Exploded View of Bezel Sub Assembly
for EA-143A-1M Indicator

Fig. No.	Index No.	Part No.	Nomenclature	EA-143A-1M	Units Per Assy
58	6	EA-7928	Tape—Insulating		1
56	8H	*EA-10081-3	Resistor Assembly		1
58	4	EA-10094-1	Spool Assembly		1
58	4A	EA-10096-1	Plate Assembly—Top		1
58	4A1	EA-10060	Head		1
58	4A2	EA-10063	Lug		3
58	4A3	EA-10267-1	Lug—Solder		3
58	4A4	EA-10064-1	Eyelet		3
58	4B	EA-10060	Head		1
58	4C	EA-10093	Hub Assembly		1
58	4C1	EA-10062	Hub		1
58	4C2	EA-10060	Head		1
58	4D	EA-7928	Tape—Insulating		1
58	5	EA-7912-32	Wire—Nichrome		2
58	6	EA-7928	Tape—Insulating		2
56	8J	EA-1562	Washer—Lock, No. 6		3
56	8K	AN501B0-2	Screw, fil hd 0 80 x 3/8 in.		9
56	8L	EA-10267	Lug—Solder		9
56	8M	AN500B6-4	Screw, fil hd 6 32 x 1/4 in.		3
56	8N	*EA-10210A5	Mechanism Assembly		1
58	7	EA-10292-10	Case Assembly—Mechanism		1
58	7A	EA-10235-8	Case—Mechanism		1
58	7B	EA-10269	Holder Assembly—Jewel		1
58	7B1	EA-10287-1	Holder—Jewel		1
58	7B2	EA-10271	Jewel—Sapphire		1
58	8	EA-10293	Form Assembly—Coil		1
58	8A	EA-10297	Form Assembly—Pin & Coil		1
58	8A1	EA-10226	Form—Coil		1
58	8A2	EA-10288	Pin—Coil form		1
58	8B	EA-10295	Winding Assembly—Coil		3
58	8B1	EA-10259	Insulator—Coil form		1
58	8B2	EA-10227	End—Coil		2
58	8B3	EA-7913-44	Wire—Copper		1

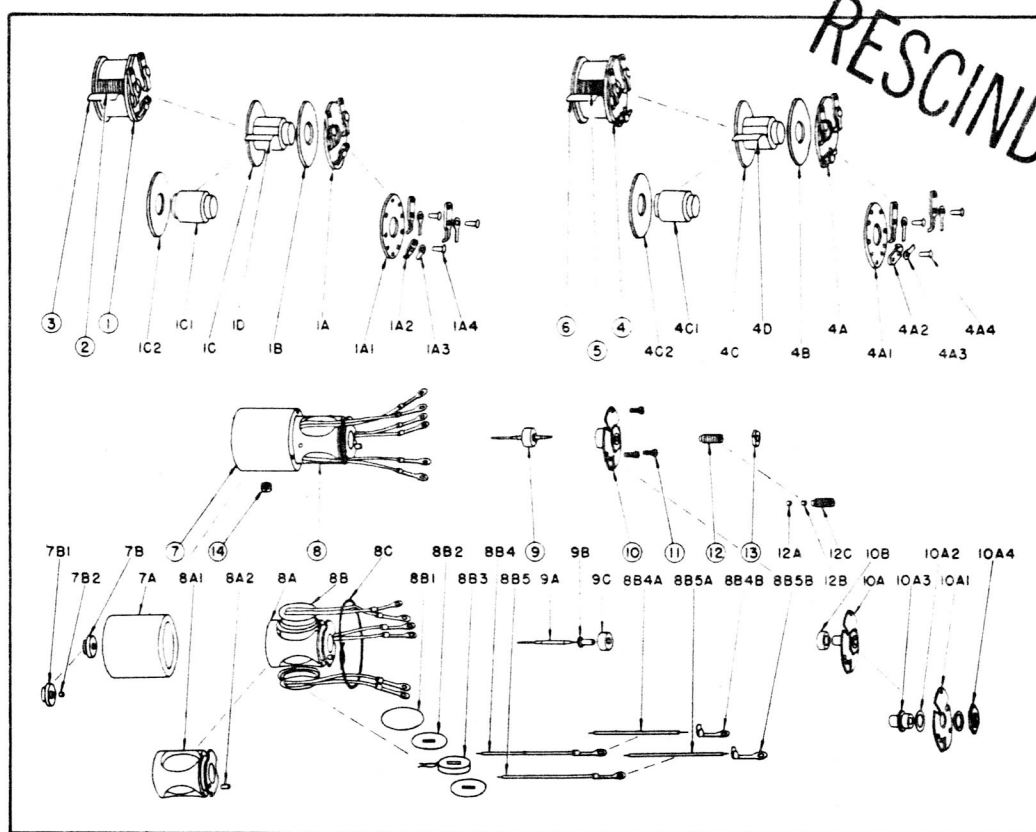


Figure 58—Exploded View of Mechanism and Resistors
for EA-143A-1M Indicator

Fig. No.	Index No.	Part No.	Nomenclature	EA-143A-1M	Units Per Assy
58	8B4	EA-7954-1	Lead Assembly		1
58	8B4A	EA-7948-7	Wire—White connection		1
58	8B4B	EA-10267	Lug—Solder		1
58	8B5	EA-7954-2	Lead Assembly		1
58	8B5A	EA-7947-7	Wire—Red connection		1
58	8B5B	EA-10267	Lug—Solder		1
58	8C	EA-7920	Cord—Waxed		1
58	9	EA-10209B-1	Rotor Assembly		1
58	9A	EA-10237	Shaft—Rotor		1
58	9B	EA-10249	Bushing—Rotor		1
58	9C	EA-10233A	Magnet—Rotor		1
58	10	EA-10220-1	Regulator Assembly		1
58	10A	EA-10257	Plate Assembly—Back		1
58	10A1	EA-10366	Regulator		1
58	10A2	EA-10363	Washer—Friction		2
58	10A3	EA-10254-1	Plate—Bearing		1
58	10A4	EA-10365	Adjustment—Return		1
58	10B	EA-10368	Magnet—Return		1
58	11	AN501B0-2	Screw, fil hd 0 80 x 1/8 in.		3
58	12	EA-10394	Bearing Assembly—Rear		1
58	12A	EA-10371	Bearing—Ring jewel		1
58	12B	EA-10370	Bearing—End jewel		1
58	12C	EA-10373	Holder—Jewel, rear		1
58	13	EA-10260	Nut—Lock		1
58	14	EA-10223	Screen—Scale adjusting		AR
58	14	EA-10223A	Screen—Scale adjusting		AR
56	8P	*EA-10825	Insert		2
56	8Q	EA-10812	Screw—Set		2
56	9	EA-10410A-4	Case Assembly		1
56	9A	EA-14312-A	Case		1
56	9B	EA-7932-1	Receptacle Assembly		1
56	9B1	EA-10333	Receptacle		1

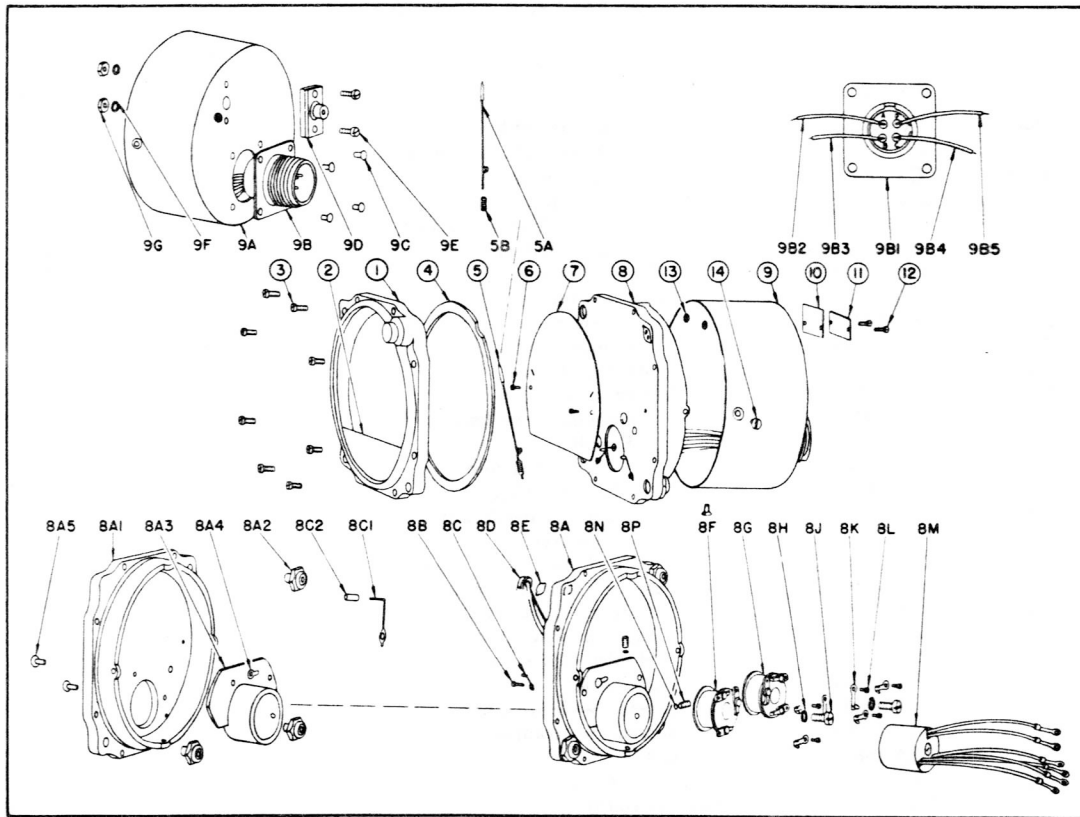
Section II
Group Assembly Parts List

EO 20-85BA-4

Fig. No.	Index No.	Part No.	Nomenclature							EA-143A-1M	Units Per Assy
			1	2	3	4	5	6	7		
56	9B2	EA-7916-7									1
56	9B3	EA-7917-6									1
56	9B4	EA-7914-6									1
56	9B5	EA-7915-6									1
56	9C	70401-2									4
56	9D	E1003-15-20									1
56	9E	AN500B4-5									2
56	9F	EA-1535									2
56	9G	AN340B4									2
56	10	EA-10285									1
56	11	NPA-143-1M									1
56	12	AN501B1-3									2
56	13	AN345B1									2
56	14	70558									4



Fig. No.	Index No.	Part No.	Nomenclature							EA-143A-4	Units Per Assy
			1	2	3	4	5	6	7		
59	1	EA-143A									1
60	1	EA-10118A									1
60	1A	EA-14308									1
60	1B	EA-14364									1
60	1B1	EA-14354									1
60	1B2	EA-14355									1
60		EA-14356									1



**Figure 59—Exploded View of Main Assembly
for EA-143A-1M Indicator**

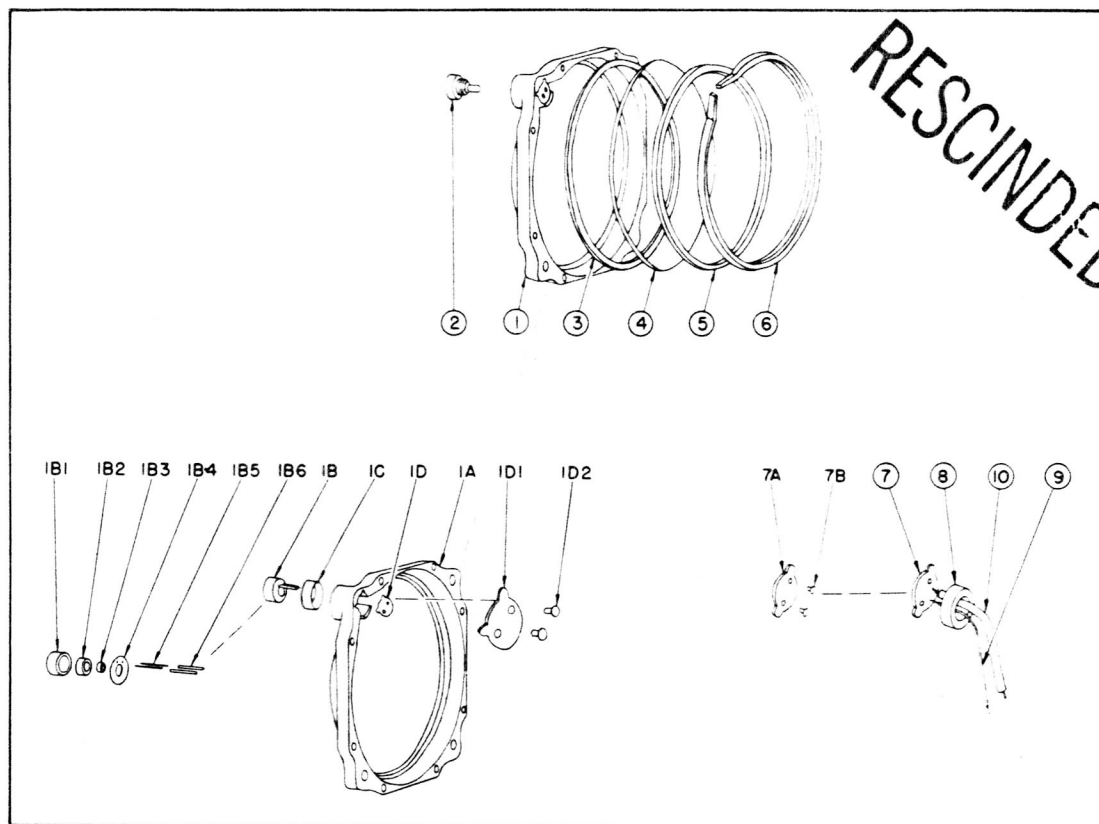


Figure 60—Exploded View of Bezel Sub Assembly
for EA-143A-4 Indicator

Fig. No.	Index No.	Part No.	1	2	3	4	5	6	7	Nomenclature	EA-143A-4	Units Per Assy
60	1B3	EA-14357								Sleeve		1
60	1B4	EA-14352								Washer—Insulation		1
60	1B5	EA-14358								Wire		2
60	1B6	EA-14371								Tubing—Insulating		2
60	1C	EA-14353								Spacer		1
60	1D	EA-14309								Contact Assembly		1
60	1D1	EA-14350								Disc—Contact		1
60	1D2	EA-14351								Contact		2
60	2	EA-1309								Lamp—Instrument		1
60	3	EA-14362								Gasket—Outer		1
60	4	*EA-10138								Glass		1
60	5	EA-14359								Window—Ring light		1
60	6	EA-14360								Ring—Light		1
59	2	EA-14333-3								Shield		1
59	3	EA-10165								Screw		8
59	4	*EA-10143B								Gasket—Bezel		1
59	5	*EA-10890-7L								Pointer Assembly		1
59	5A	3992-7								Blank—Pointer		1
59	5B	EA-10146-7								Weight—Pointer		1
59	6	AN501B0-2								Screw, fil hd 0 80 x 1/8 in.		2
59	7	EA-14305-4								Dial		1
59	8	EA-14351C-1								Plate Assembly—Mounting		1
59	8A	EA-14352C								Plate Sub Assembly—Mounting		1
59	8A1	EA-10115A-16								Plate—Mounting		1
59	8A2	EA-10040								Nut—Stop		3
59	8A3	EA-10075-3								Bracket—Mechanism		1
59	8A4	EA-1225								Lug—Solder		1
59	8A5	70400-1								Rivet		2
59	8B	AN501B0-2								Screw, fil hd 0 80 x 1/8 in.		2
59	8C	EA-12843-4								Stop Assembly—Pointer		2
59	8C1	EA-12844-4								Holder—Pointer stop		1
59	8C2	EA-12845								Sleeve—Pointer stop		1

Section II
Group Assembly Parts List

EO 20-85BA-4

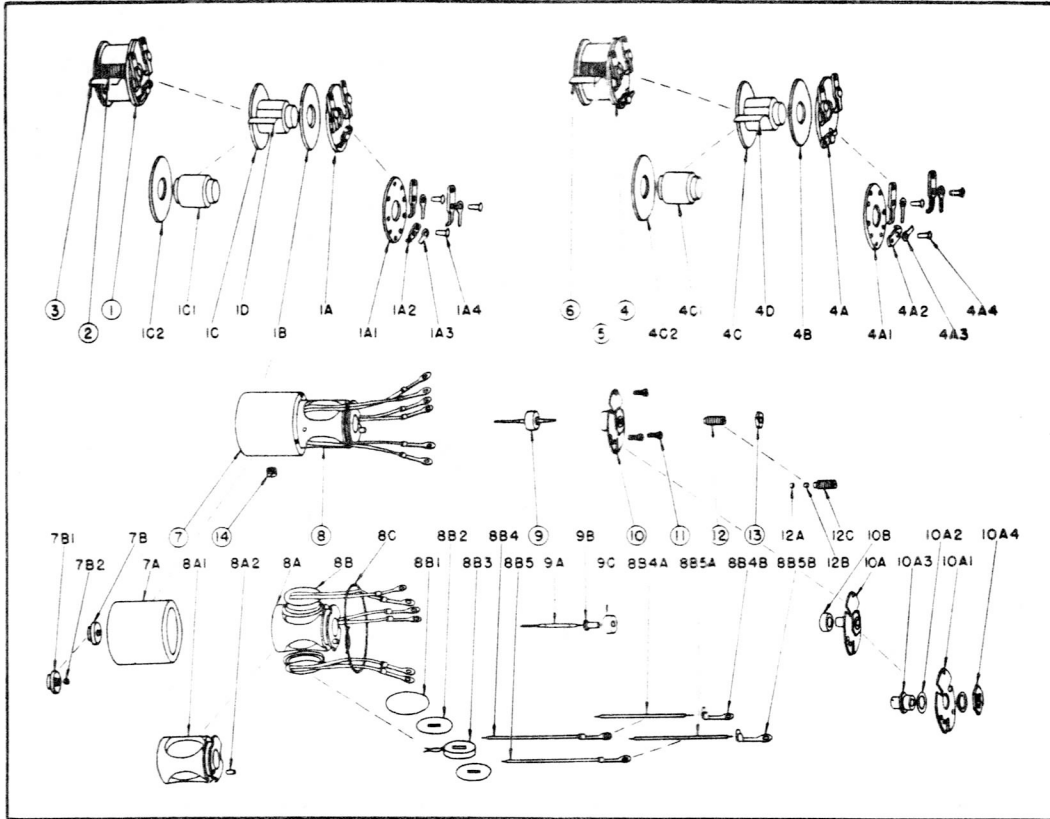


Figure 61—Exploded View of Mechanism and Resistors
for EA-143A-4 Indicator.

Fig. No.	Index No.	Part No.	Nomenclature	EA-143A-4	Units Per Assy
59	8D	EA-10103A	Wire Assembly		1
59	8E	EA-10153A	Insulator		1
59	8F	*EA-10080-14	Resistor Assembly		1
61	1	EA-10094-2	Spool Assembly		1
61	1A	EA-10096-2	Plate Assembly—Top		1
61	1A1	EA-10060	Head		1
61	1A2	EA-10063	Lug		3
61	1A3	EA-10267-1	Lug—Solder		3
61	1A4	EA-10064-1	Eyelet		3
61	1B	EA-10060	Head		1
61	1C	EA-10093	Hub Assembly		1
61	1C1	EA-10062	Hub		1
61	1C2	EA-10060	Head		1
61	1D	EA-7928	Tape—Insulating		1
61	2	EA-7912-26	Wire—Nichrome		1
61	3	EA-7928	Tape—Insulating		1
59	8G	*EA-10080-15	Resistor Assembly		1
61	4	EA-10094-1	Spool Assembly		1
61	4A	EA-10096-1	Plate Assembly—Top		1
61	4A1	EA-10060	Head		1
61	4A2	EA-10063	Lug		3
61	4A3	EA-10267-1	Lug—Solder		3
61	4A4	EA-10064-1	Eyelet		3
61	4B	EA-10060	Head		1
61	4C	EA-10093	Hub Assembly		1
61	4C1	EA-10062	Hub		1
61	4C2	EA-10060	Head		1
61	4D	EA-7928	Tape—Insulating		1
61	5	EA-7912-34	Wire—Nichrome		1
61	6	EA-7928	Tape—Insulating		1
59	8H	EA-1562	Washer—Lock, No. 6		2
59	8J	AN501B0-2	Screw, fil hd 0 80 x 1/8 in.		6

Fig. No.	Index No.	Part No.	Nomenclature	EA-143A-4	Units Per Assy
			1 2 3 4 5 6 7		
59	8K	EA-10267	Lug—Solder		6
59	8L	AN500B6-4	Screw, fil hd 6 32 x 1/4 in.		2
59	8M	*EA-10210A5	Mechanism Assembly		1
61	7	EA-10292-1	Case Assembly—Mechanism		1
61	7A	EA-10235-8	Case—Mechanism		1
61	7B	EA-10269	Holder Assembly—Jewel		1
61	7B1	EA-10287-1	Holder—Jewel		1
61	7B2	EA-10271	Jewel—Sapphire		1
61	8	EA-10293	Form Assembly—Coil		1
61	8A	EA-10297	Form Assembly—Pin & Coil		1
61	8A1	EA-10226	Form—Coil		1
61	8A2	EA-10288	Pin—Coil form		1
61	8B	EA-10295	Winding Assembly—Coil		3
61	8B1	EA-10259	Insulator—Coil form		1
61	8B2	EA-10227	End—Coil		2
61	8B3	EA-7913-44	Wire—Copper		1
61	8B4	EA-7954-1	Lead Assembly		1
61	8B4A	EA-7948-7	Wire—White connection		1
61	8B4B	EA-10267	Lug—Solder		1
61	8B5	EA-7954-2	Lead Assembly		1
61	8B5A	EA-7947-7	Wire—Red connection		1
61	8B5B	EA-10267	Lug—Solder		1
61	8C	EA-7920	Cord—Waxed		1
61	9	EA-10209B-1	Rotor Assembly		1
61	9A	EA-10237	Shaft—Rotor		1
61	9B	EA-10249	Bushing—Rotor		1
61	9C	EA-10233A	Magnet—Rotor		1
61	10	EA-10220-1	Regulator Assembly		1
61	10A	EA-10257	Plate Assembly—Back		1
61	10A1	EA-10366	Regulator		1
61	10A2	EA-10363	Washer—Friction		2
61	10A3	EA-10254-1	Plate—Bearing		1
61	10A4	EA-10365	Adjustment—Return		1
61	10B	EA-10368	Magnet—Return		1
61	11	AN501B0-2	Screw, fil hd 0 80 x 1/8 in.		3
61	12	EA-10394	Bearing Assembly—Rear		1
61	12A	EA-10371	Bearing—Ring jewel		1
61	12B	EA-10370	Bearing—End jewel		1
61	12C	EA-10373	Holder—Jewel, rear		1
61	13	EA-10260	Nut—Lock		1
61	14	EA-10223	Screw—Scale adjusting		AR
61	14	EA-10223A	Screw—Scale adjusting		AR
59	8N	*EA-10825	Insert		2
59	8P	EA-10812	Screw—Set		2
59	9	EA-10410A-3	Case Assembly		1
59	9A	EA-14324-4	Case		1
59	9B	EA-7936-8	Receptacle Assembly		1
59	9B1	AN3102-14S-1P	Receptacle		1
59	9B2	EA-7914-7	Wire—Blue connection		1
59	9B3	EA-7917-6	Wire—Green connection		1
59	9B4	EA-7915-6	Wire—Red connection		1
59	9C	70401-1	Rivet		4
59	9D	AN500B4-5	Screw, fil hd 4 40 x 5/16 in.		2
59	9E	EA-1535	Washer—Lock		2
59	9F	AN340B4	Nut, hex 4 40		2
59	9G	E-1003-15-20	Connector		1
59	10	EA-10285	Plate—Voltage		1
59	11	NPA-143-4	Plate—Name		1
59	12	AN501B1-3	Screw, fil hd 1 72 x 3/16 in.		2
59	13	AN345B1	Nut, hex 1 72		2
59	14	70558	Screw, FH 3 56 x 5/32 in.		4

RESCINDED

Section II
Group Assembly Parts List

EO 20-85BA-4

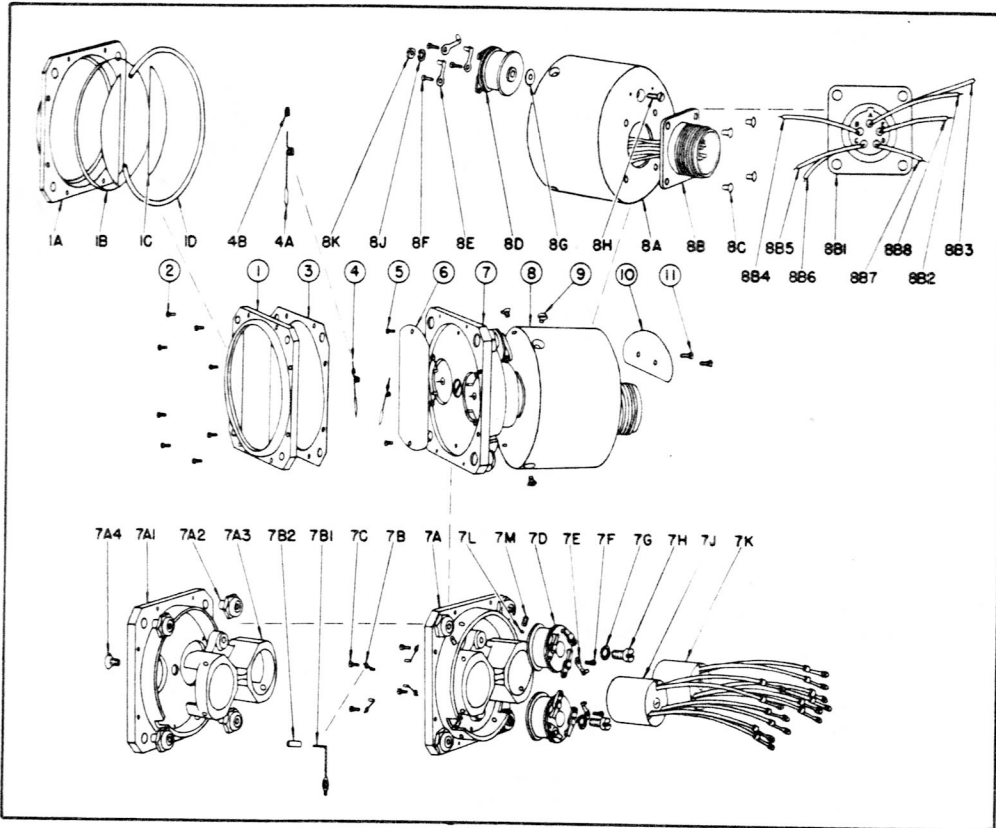


Figure 62—Exploded View of Main Assembly for
EA-148-1, -2 and -5 Indicators

Fig. No.	Index No.	Part No.	1	2	3	4	5	6	7	Nomenclature	EA-148-1	EA-148-2	EA-148-2	Units Per Assy
		EA-148								Indicator	x	x	x	1
62	1	EA-10891-2								Bezel Assembly	x	x	x	1
62	1A	EA-10836								Bezel	x	x	x	1
62	1B	*EA-10838								Glass	x	x	x	1
62	1C	EA-10283-2								Shield	x	x	x	1
62	1D	EA-10819								Ring—Snap	x	x	x	2
62	2	AN501B0-2								Screw, fil hd 0 80 x 1/8 in.	x	x	x	1
62	3	*EA-10844								Gasket—Bezel	x	x	x	8
62	4	*EA-10890-2Y								Pointer Assembly	x	x	x	1
62	4A	3992-2								Blank—Pointer	x	x	x	2
62	4B	EA-10146-2								Weight—Pointer	x	x	x	1
62	5	AN501B0-2								Screw, fil hd 0 80 x 1/8 in.	x	x	x	1
62	6	EA-14805-1								Dial	x			2
62	6	EA-14805-2								Dial		x		1
62	6	EA-14805-5								Dial			x	1
62	7	EA-10801C-3								Plate Assembly—Mounting	x	x		1
62	7A	EA-10802C								Plate Sub Assembly—Mounting	x	x	x	1
62	7A1	EA-10830-13								Plate—Mounting	x	x	x	1
62	7A2	EA-10040								Nut—Stop	x	x	x	1
62	7A3	EA-10811D-1								Bracket—Mechanism	x	x	x	4
62	7A4	AN505B6-4								Screw, FH 6 32 x 1/4 in.	x	x	x	1
62	7B	EA-12843-3								Stop Assembly—Pointer	x	x	x	1
62	7B1	EA-12844-3								Holder—Pointer stop	x	x	x	4
62	7B2	EA-12845								Sleeve—Pointer stop	x	x	x	1
62	7C	AN501B0-2								Screw, fil hd 0 80 x 1/8 in.	x	x	x	1
62	7D	*EA-10080-15								Resistor Assembly	x	x	x	4
63	1	EA-10094-1								Spool Assembly	x	x	x	2
63	1A	EA-10096-1								Plate Assembly—Top	x	x	x	1
63	1A1	EA-10060								Head	x	x	x	1
63	1A2	EA-10063								Lug	x	x	x	1
63	1A3	EA-10267-1								Lug—Solder	x	x	x	3
63	1A4	EA-10064-1								Eyelet	x	x	x	3

RESCINDED

EQ 20-85BA-4

Section II
Group Assembly Parts List

Fig. No.	Index No.	Part Number	Nomenclature	EA-148AN-19		EA-148AN-23-24		Unit Per Assy.
				1	2	3	4	
			INDICATOR					
62A	1	AN510B3-3	Screw	x		x		3
62A	2	EA-19009-3	Case Assembly	v		x		1
62A	2A	EA19054-2	Case	v		x		1
62A	2B	EA-19062	Glass	v		x		1
62A	2C	EA-19061	Snap-Ring	v		x		1
62A	2D	Comm.	Nut-Stop Shakeproof No. 99L24-62	x		x		4
62A	3	EA-19033	Shield	x		x		1
62A	4	EA-10890-2F	Pointer	x		x		2
62A	5	EA-14805AN-19	Dial	x				1
62A	5	EA-14805AN-23	Dial			x		1
62A	6	EA-47092	Screw	x		x		2
62A	7	NPAA-148AN-19	Nameplate	x				1
62A	7	NPAA-148AN-23-24	Nameplate			x		1
62A	8	NPAB-148AN-19	Nameplate	x				1
62A	8	NPAB-148AN-23-24	Nameplate			x		1
62A	9	AN515B2-3	Screw	x		x		4
62A	10	EA-14801AN-3	Backplate Assembly	x				1
62A	10	EA-14801AN-1	Backplate Assembly			x		1
62A	11	EA-7960	Screw	x		x		2
62A	12	EA-19071	Sub-Dial	x		x		1
62A	13	EA-19003-4	Saddle Assembly-Mechanism	x		x		1
62A	13A	EA-19058	Saddle-Mechanism	x		x		1
62A	13B	EA-19059	Bracket-Mechanism	x		x		1
62A	13C	AN515B6-5	Screw	x		x		1
62A	13D	EA-935B6	Washer-Lock	x		x		1
62A	13E	EA-15016	Clamp-Mechanism	x		x		2
62A	13F	EA-15011	Clamp-Pressure	x		x		2
62A	13G	AN500B6-7	Screw	x		x		2
62A	13H	AN935B6	Washer-Lock	x		x		2
62A	13J	EA-47012	Nut	x		x		2
62A	14	EA-10210A-7	Mechanism	x		x		1
62A	15	EA-10210B-7	Mechanism	x		x		1
62A	16	AN505B6-9	Screw	x		x		1
62A	17	EA-14802AN-3	Backplate Sub Assembly	x				1
62A	17	EA-14802AN-1	Backplate Sub Assembly			x		1
62A	18	EA-19052-1	Backplate	x		x		1
62A	19	EA-7939-4	Receptacle Assembly	x				1
62A	19	EA-7938-6	Receptacle Assembly			x		1
62A	20	AN500B4-5	Screw	x		x		4
62A	21	AN935B4	Washer-Lock	x		x		4
62A	22	EA-10084-30	Resistor	x		x		2
62A	23	EA-10079-6	Resistor	x				1
62A	23	EA-10079-2	Resistor			x		1
62A	24	AN500B6-5	Screw	x		x		3
62A	25	AN935B6	Washer-Lock	x		x		3
62A	26	EA-1632	Lug-Solder	x		x		1
62A	27	EA-19093	Gasket	x		x		1

Section II
Group Assembly Parts List

EO 20-85BA-4

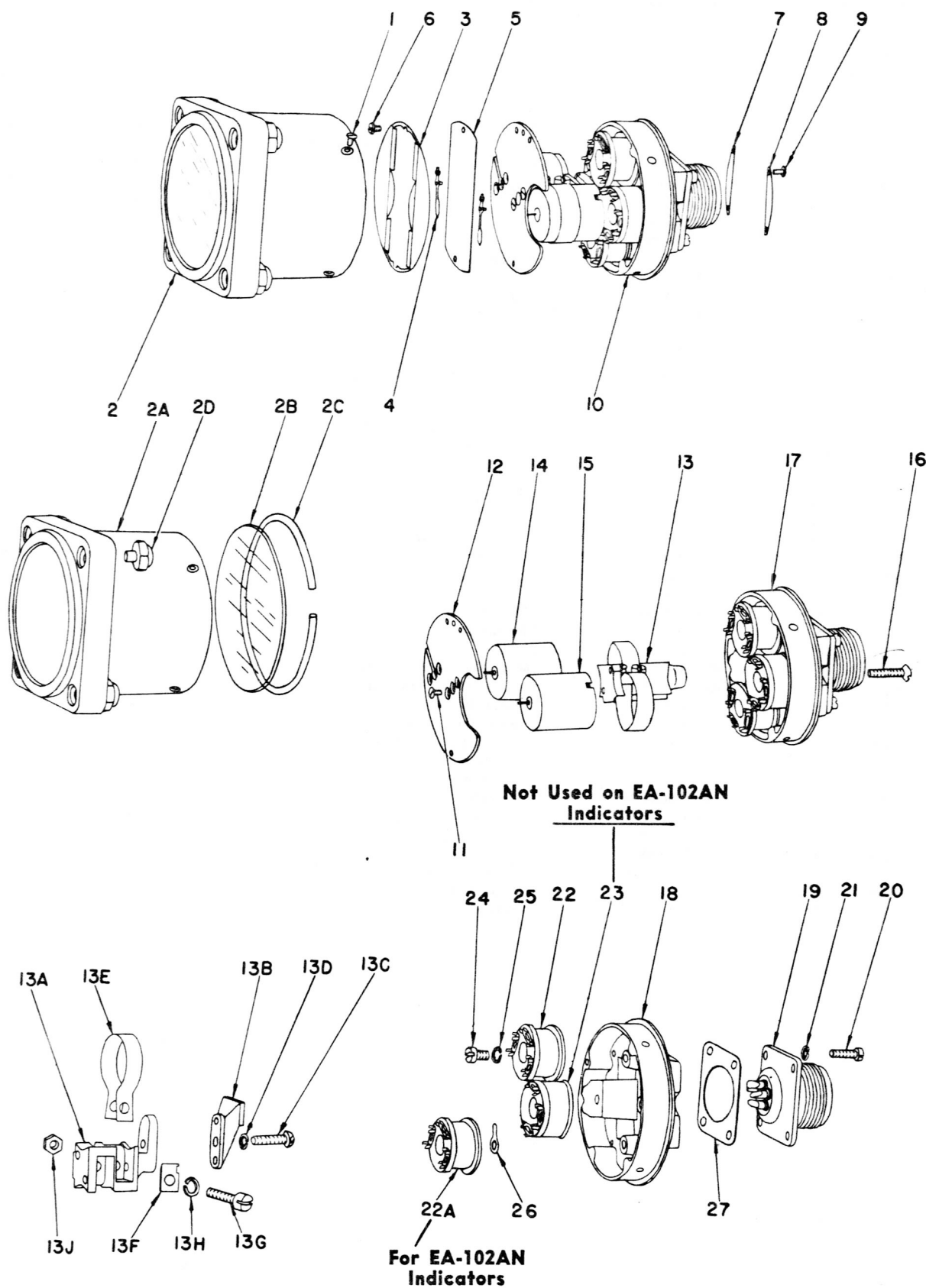


Figure 62B—Indicators EA-100AN, 102AN, and 148AN

RESCINDED

EO 20-85BA-4

Section II
Group Assembly Parts List

Fig. No.	Index No.	Part No.	Nomenclature	Units			Per Assy
				EA-148-1	EA-148-2	EA-148-5	
63	1B	EA-10060	Head	x	x	x	1
63	1C	EA-10093	Hub Assembly	x	x	x	1
63	1C1	EA-10062	Hub	x	x	x	1
63	1C2	EA-10060	Head	x	x	x	1
63	1D	EA-7928	Tape—Insulating	x	x	x	1
63	2	EA-7912-34	Wire—Nichrome	x	x	x	1
63	3	EA-7928	Tape—Insulating	x	x	x	1
62	7E	EA-10267	Lug—Solder	x	x	x	2
62	7F	AN501B0-2	Screw, fil hd 0 80 x 1/8 in.	x	x	x	2
62	7G	EA-1552	Washer—Lock, No. 6	x	x	x	2
62	7H	AN500B6-4	Screw, fil hd 6 32 x 1/4 in.	x	x	x	2
62	7J	*EA-10210A5	Mechanism Assembly	x	x	x	1
63	4	EA-10292-10	Case Assembly—Mechanism	x	x	x	1
63	4A	EA-10235-8	Case—Mechanism	x	x	x	1
63	4B	EA-10269	Holder Assembly—Jewel	x	x	x	1
63	4B1	EA-10287-1	Holder—Jewel	x	x	x	1
63	4B2	EA-10271	Jewel—Sapphire	x	x	x	1
63	5	EA-10293	Form Assembly—Coil	x	x	x	1
63	5A	EA-10297	Form Assembly—Pin & Coil	x	x	x	1
63	5A1	EA-10226	Form—Coil	x	x	x	1
63	5A2	EA-10288	Pin—Coil form	x	x	x	1
63	5B	EA-10295	Winding Assembly—Coil	x	x	x	3
*63	5B1	EA-10259	Insulator—Coil form	x	x	x	1
63	5B2	EA-10227	End—Coil	x	x	x	2
63	5B3	EA-7913-44	Wire—Copper	x	x	x	1
63	5B4	EA-7954-1	Lead Assembly	x	x	x	1
63	5B4A	EA-7948-7	Wire—White connection	x	x	x	1
63	5B4B	EA-10267	Lug—Solder	x	x	x	1
63	5B5	EA-7954-2	Lead Assembly	x	x	x	1
63	5B5A	EA-7947-7	Wire—Red connection	x	x	x	1
63	5B5B	EA-10267	Lug—Solder	x	x	x	1
63	5C	EA-7920	Cord—Waxed	x	x	x	1
63	6	EA-10209B-1	Rotor Assembly	x	x	x	1
63	6A	EA-10237	Shaft—Rotor	x	x	x	1
63	6B	EA-10249	Bushing—Rotor	x	x	x	1
63	6C	EA-10233A	Magnet—Rotor	x	x	x	1
63	7	EA-10220-1	Regulator Assembly	x	x	x	1
63	7A	EA-10257	Plate Assembly—Back	x	x	x	1
63	7A1	EA-10366	Regulator	x	x	x	1
63	7A2	EA-10363	Washer—Friction	x	x	x	2
63	7A3	EA-10254-1	Plate—Bearing	x	x	x	1
63	7A4	EA-10365	Adjustment—Return	x	x	x	1
63	7B	EA-10368	Magnet—Return	x	x	x	1
63	8	AN501B0-2	Screw, fil hd 0 80 x 1/8 in.	x	x	x	3
63	9	EA-10394	Bearing Assembly—Rear	x	x	x	1
63	9A	EA-10371	Bearing—Ring jewel	x	x	x	1
63	9B	EA-10370	Bearing—End jewel	x	x	x	1
63	9C	EA-10373	Holder—Jewel, rear	x	x	x	1
63	10	EA-10260	Nut—Lock	x	x	x	1
63	11	EA-10223	Screw—Scale adjusting	x	x	x	AR
63	11	EA-10223A	Screw—Scale adjusting	x	x	x	AR
62	7K	*EA-10210B5	Mechanism Assembly	x	x	x	1
63	4	EA-10292-10	Case Assembly—Mechanism	x	x	x	1
63	4A	EA-10235-8	Case—Mechanism	x	x	x	1
63	4B	EA-10269	Holder Assembly—Jewel	x	x	x	1
63	4B1	EA-10287-1	Holder—Jewel	x	x	x	1
63	4B2	EA-10271	Jewel—Sapphire	x	x	x	1
63	5	EA-10293	Form Assembly—Coil	x	x	x	1
63	5A	EA-10297	Form Assembly—Pin & Coil	x	x	x	1
63	5A1	EA-10226	Form—Coil	x	x	x	1
63	5A2	EA-10288	Pin—Coil form	x	x	x	1
63	5B	EA-10295	Winding Assembly—Coil	x	x	x	3
63	5B1	EA-10259	Insulator—Coil form	x	x	x	1
63	5B2	EA-10227	End—Coil	x	x	x	2
63	5B3	EA-7913-44	Wire—Copper	x	x	x	1
63	5B4	EA-7954-1	Lead Assembly	x	x	x	1
63	5B4A	EA-7948-7	Wire—White connection	x	x	x	1
63	5B4B	EA-10267	Lug—Solder	x	x	x	1
63	5B5	EA-7954-2	Lead Assembly	x	x	x	1

Section II
Group Assembly Parts List

EO 20-85BA-4

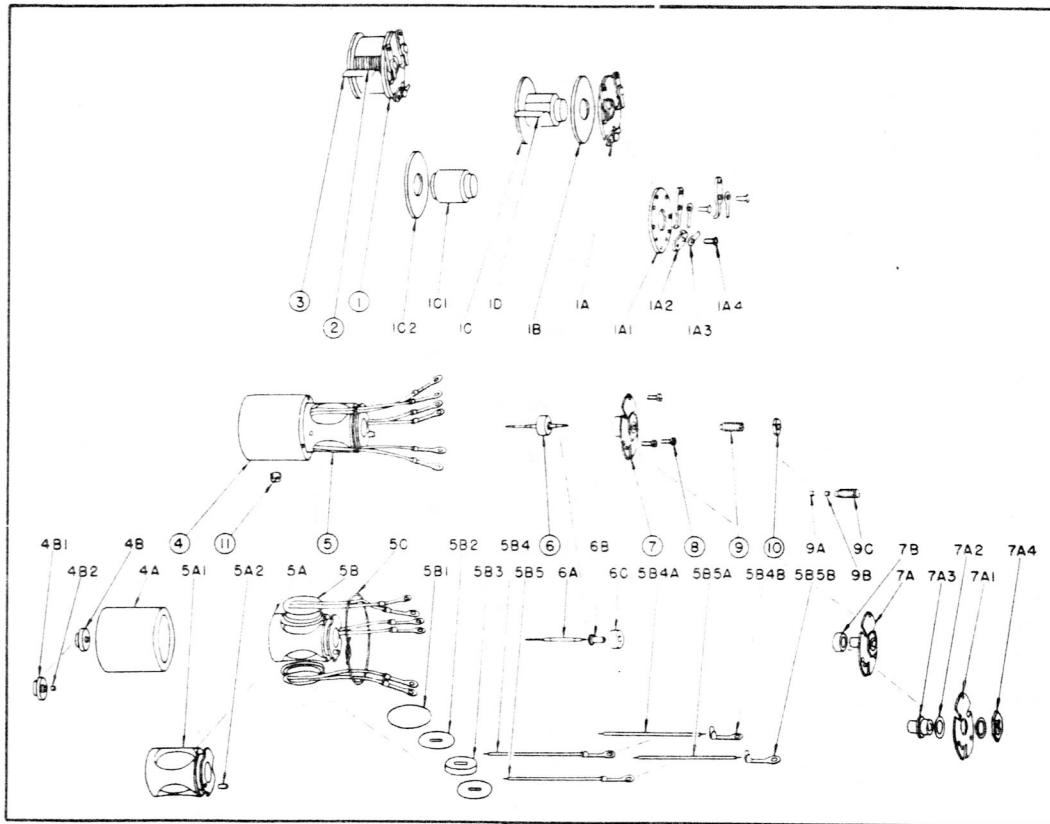


Figure 63—Exploded View of Mechanism and Resistors
EA-148-1, -2 and -5 Indicators

Fig. No.	Index No.	Part No.	Nomenclature	EA-148-1	EA-148-2	EA-148-5	Units Per Assy
63	5B5A	EA-7947-7	Wire—Red connection	x	x	x	1
63	5B5B	EA-10267	Lug—Solder	x	x	x	1
63	5C	EA-7920	Cord—Waxed	x	x	x	1
63	6	EA-10209B-2	Rotor Assembly	x	x	x	1
63	6A	EA-10237	Shaft—Rotor	x	x	x	1
63	6B	EA-10249	Bushing—Rotor	x	x	x	1
63	6C	EA-10233A	Magnet—Rotor	x	x	x	1
63	7	EA-10220-1	Regulator Assembly	x	x	x	1
63	7A	EA-10257	Plate Assembly—Back	x	x	x	1
63	7A1	EA-10366	Regulator	x	x	x	1
63	7A2	EA-10363	Washer—Friction	x	x	x	2
63	7A3	EA-10254-1	Plate—Bearing	x	x	x	1
63	7A4	EA-10365	Adjustment—Return	x	x	x	1
63	7B	EA-10368	Magnet—Return	x	x	x	1
63	8	AN501B0-2	Screw, fil hd 0 80 x 1/8 in.	x	x	x	3
63	9	EA-10394	Bearing Assembly—Rear	x	x	x	1
63	9A	EA-10371	Bearing—Ring jewel	x	x	x	1
63	9B	EA-10370	Bearing—End jewel	x	x	x	1
63	9C	EA-10373	Holder—Jewel, rear	x	x	x	1
63	10	EA-10260	Nut—Lock	x	x	x	1
63	11	EA-10223	Screw—Scale adjusting	x	x	x	AR
63	11	EA-10223A	Screw—Scale adjusting	x	x	x	AR
62	7L	*EA-10825	Insert	x	x	x	4
62	7M	EA-10812	Screw—Set	x	x	x	4
62	8	EA-10810B-12	Case Assembly	x	x	x	1
62	8A	EA-10824-1	Case	x	x	x	1
62	8B	EA-7938-2	Receptacle Assembly	x	x	x	1
62	8B1	AN3102-14S-5P	Receptacle	x	x	x	1
62	8B2	EA-7930-2	Wire—White connection	x	x	x	1
62	8B3	EA-7930-8	Wire—White connection	x	x	x	1
62	8B4	EA-7917-6	Wire—Green connection	x	x	x	1
62	8B5	EA-7914-3	Wire—Blue connection	x	x	x	1
62	8B6	EA-7914-6	Wire—Blue connection	x	x	x	1

RESCINDED

EO 20-85BA-4

Section II
Group Assembly Parts List

Fig. No.	Index No.	Part No.	Nomenclature							EA-148-1	EA-148-2	EA-148-5	Units
			1	2	3	4	5	6	7				Per Assy
62	8B7	EA-7916-8								x	x	x	1
62	8B8	EA-7915-3								x	x	x	1
62	8C	70401-2								x	x	x	4
62	8D	*EA-10081-1								x	x	x	1
63	1	EA-10094-1								x	x	x	1
63	1A	EA-10096-1								x	x	x	1
63	1A1	EA-10060								x	x	x	1
63	1A2	EA-10063								x	x	x	3
63	1A3	EA-10267-1								x	x	x	3
63	1A4	EA-10064-1								x	x	x	3
63	1B	EA-10060								x	x	x	1
63	1C	EA-10093								x	x	x	1
63	1C1	EA-10062								x	x	x	1
63	1C2	EA-10060								x	x	x	1
63	1D	EA-7928								x	x	x	1
63	2	EA-7912-32								x	x	x	2
63	3	EA-7928								x	x	x	2
62	8E	EA-10267								x	x	x	3
62	8F	AN501B0-2								x	x	x	3
62	8G	AN960B-3								x	x	x	1
62	8H	AN510B3-5								x	x	x	1
62	8J	EA-1535								x	x	x	1
62	8K	AN345B-3								x	x	x	1
62	9	70558								x	x	x	4
62	10	NPB-138-1								x			1
62	10	NPB-148-2									x		1
62	10	NPG-148-5										x	1
62	11	AN501B1-2								x	x	x	2

Fig. No.	Index No.	Part No.	Nomenclature							EA-148W-3	Units		
			1	2	3	4	5	6	7		Per Assy		
		EA-148											1
		Indicator											1
64	1	EA-10891-2											1
64	1A	EA-10836											1
64	1B	*EA-10838											1
64	1C	EA-10283-2											2
64	1D	EA-10819											1
64	2	AN501B0-3											8
64	3	*EA10844											1
64	4	*EA-10890-2											2
64	4A	3992-2											1
64	4B	EA-10146-2											1
64	5	70315											2
64	6	AN501B0-2											2
64	7	EA-14805-3											1
64	8	EA-14801C-1											1
64	8A	EA-14802C											1
64	8A1	EA-10830-16											1
64	8A2	EA-10040											4
64	8A3	EA-10811D-1											1
64	8A4	AN505B6-4											1
64	8A5	EA-192											1
65	1	EA-19201-1											1
65	1A	EA-19211-1											1
65	1B	EA-19219											1
64	2	AN500B2-6											2
65	3	EA-19217											1
65	4	EA-19203											1
65	4A	EA-19212											1
65	4B	EA-7948-6											1
65	5	EA-19213											2
65	6	EA-19204											1
65	6A	EA-19214											1
65	6B	EA-7947-6											1

Section II
Group Assembly Parts List

EO 20-85BA-4

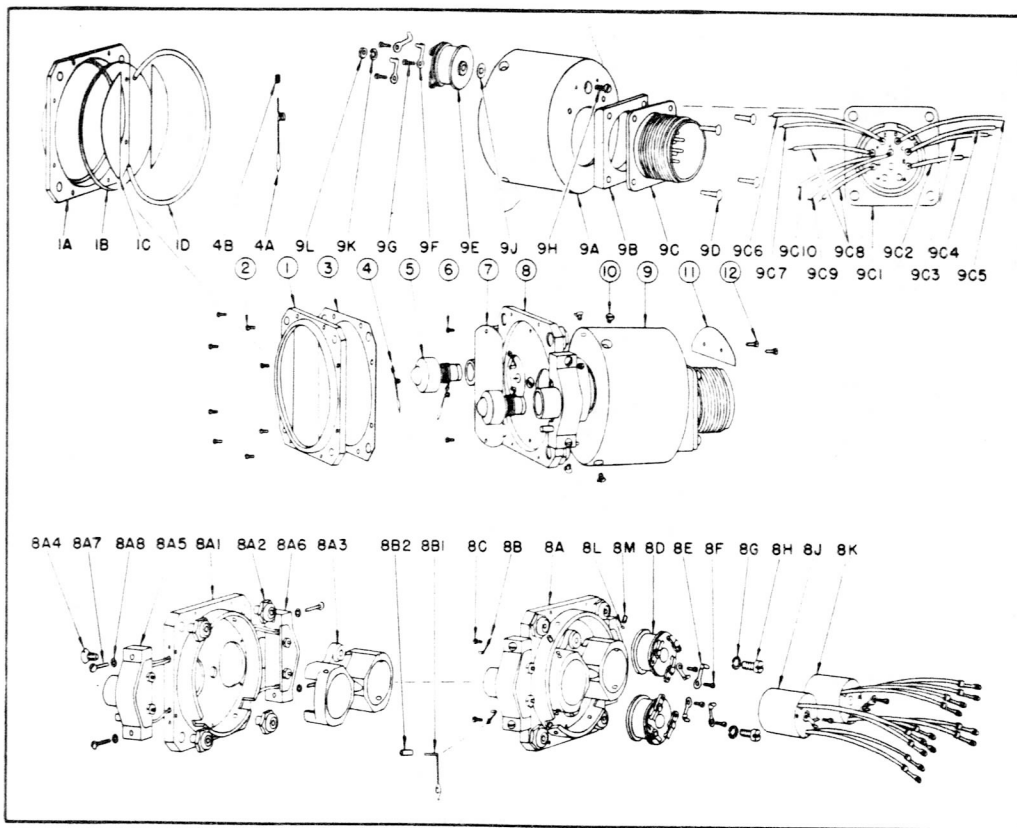


Figure 64—Exploded View of Main Assembly
for EA-148W-3 Indicator

Fig. No.	Index No.	Part No.	Nomenclature	EA-148W-3	Units Per Assy
65	7	EA-19215	1 Spacer—Pressure		1
65	8	EA-19216	2 Washer—Spring		2
65	9	EA-19202-1	3 Plate Assembly—Back		1
65	9A	EA-19221-1	4 Plate—Back		1
65	9B	EA-19220	5 Contact—Ground		1
65	9C	EA-7945-6	6 Wire—Black connection		1
65	10	EA-12867	7 Washer—Lock		1
65	11	AN340B2	8 Nut		2
64	8A6	EA-193	9 Light Assembly—Warning LH		2
65	12	EA-19201-8	10 Housing Assembly		1
65	12A	EA-19211-2	11 Housing		1
65	12B	EA-19219	12 Bushing		1
65	13	AN500B2-6	13 Screw, fil hd 2 56 x 3/8 in.		1
65	14	EA-19217	14 Button—Push		2
65	15	EA-19203	15 Contact Assembly—Push button		1
65	15A	EA-19212	16 Contact—Push button		1
65	15B	EA-7948-6	17 Wire—White connection		1
65	16	EA-19213	18 Spacer—Contact		1
65	17	EA-19204	19 Contact Assembly—Lamp		2
65	17A	EA-19214	20 Contact—Lamp		1
65	17B	EA-7947-6	21 Wire—Red connection		1
65	18	EA-19215	22 Spacer—Pressure		1
65	19	EA-19216	23 Washer—Spring		1
65	20	EA-19202-2	24 Plate Assembly—Back		1
65	20A	EA-19221-2	25 Plate—Back		1
65	20B	EA-19220	26 Contact—Ground		1
65	20C	EA-7945-6	27 Wire—Black connection		1
65	21	EA-12867	28 Washer—Lock		1
65	22	AN340B-2	29 Nut		2
64	8A7	AN515B2-8	30 Screw, RH 2 56 x 1/2 in.		2
64	8A8	EA-12867	31 Washer—Lock		4
64	8B	EA-12843-3	32 Stop Assembly—Pointer		4

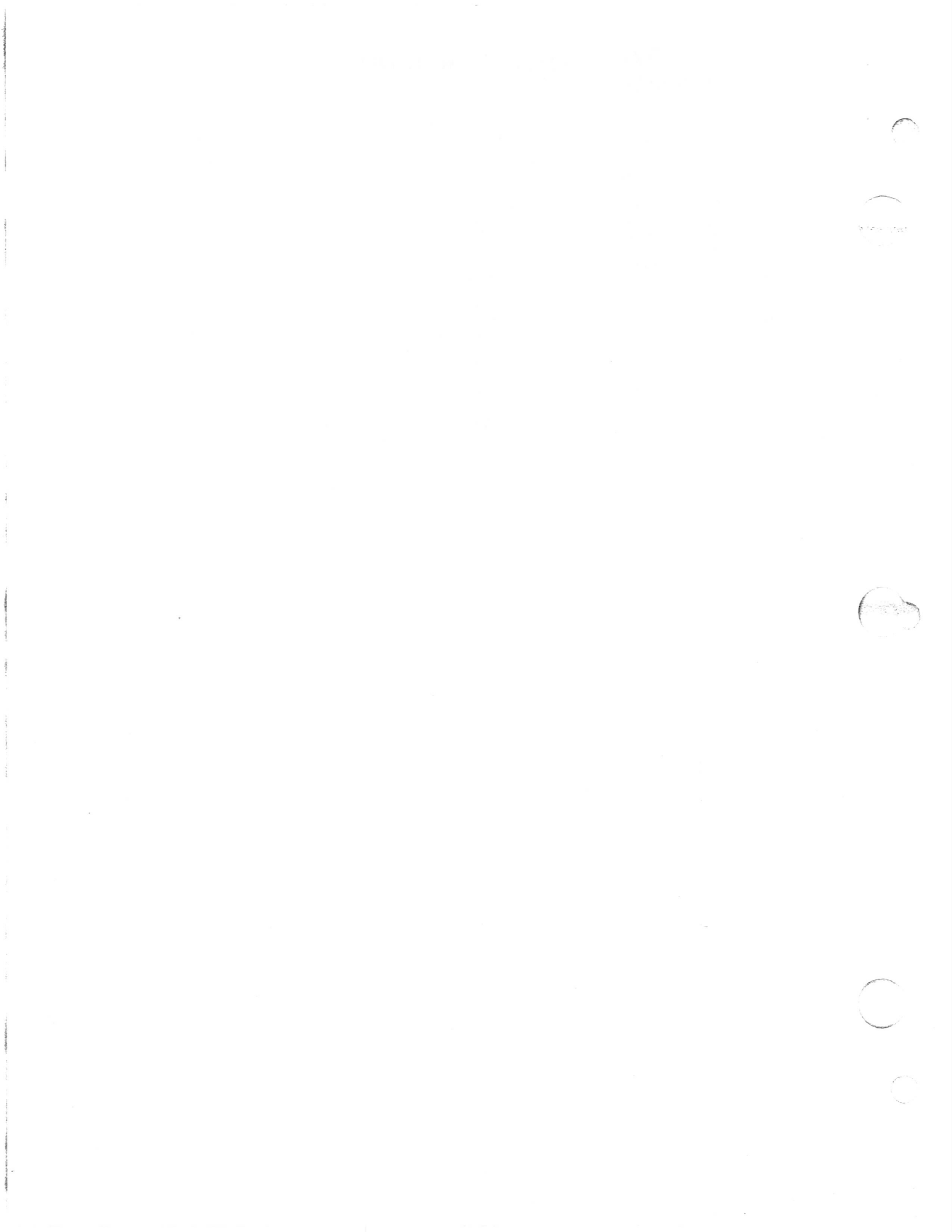
RESCINDED

EO 20-85BA-4

Section II
Group Assembly Parts List

Fig. No.	Index No.	Part No.	Nomenclature							EA-148W-7	EA-148W-14	Units Per Assy
			1	2	3	4	5	6	7			
64			Indicator									
64	7	EA-14805-7	Dial						x		1	
64	7	EA-14805-14	Dial							x	1	
64	8A	EA-14801D-1	Plate Assembly—Mounting						x		1	
64	8J	EA-10210A7	Mechanism						x		1	
64	8K	EA-10210B7	Mechanism						x		1	
64	8D	EA-10084-3D	Resistor						x		2	
64	8A	EA-14801D-2	Plate Assembly—Mounting							x	1	
64	8J	EA-10210A8	Mechanism							x	1	
64	8K	EA-10210B8	Mechanism							x	1	
64	8D	EA-10084-15	Resistor							x	1	
64	9A	EA-10810B-20	Case Assembly							x	2	
64	9C	EA-7941-3	Receptacle Assembly						x		1	
64	9C1	AN3102-18-1P	Receptacle						x		1	
64	9A	EA-10810B-27	Case Assembly							x	1	
64	11	NPB148W7	Nameplate						x		1	
64	11	NPB148W14	Nameplate							x	1	

ALL OTHER PARTS TO COMPLETE INDICATOR
ARE FOUND ON FIGURE 64



RESCINDED

EO 20-85BA-4

Section II
Group Assembly Parts List

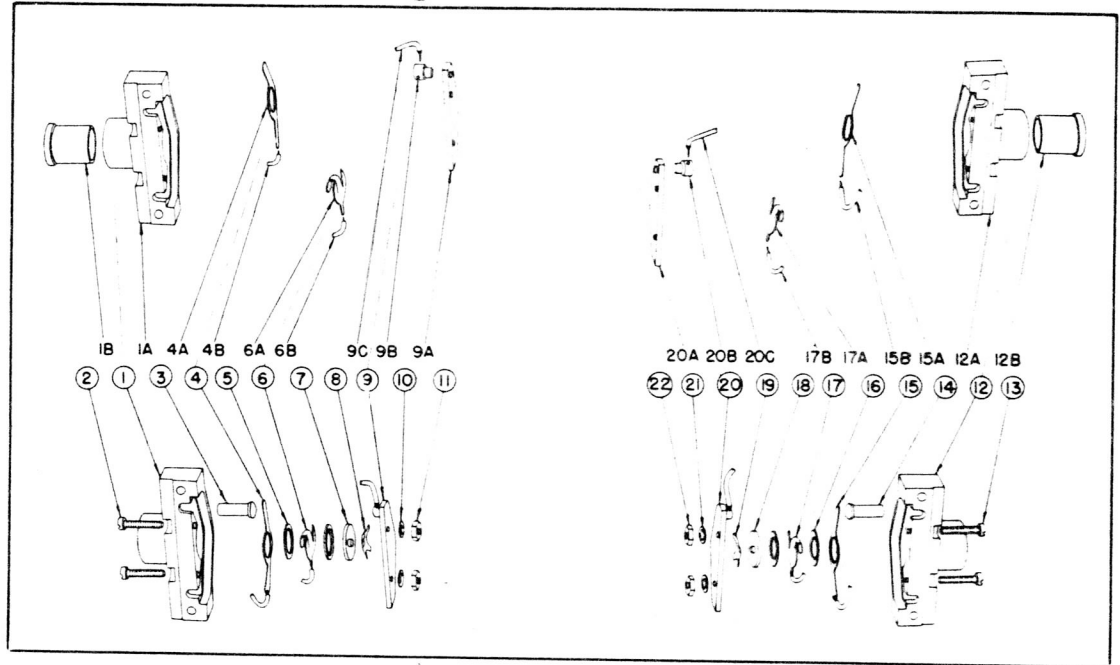


Figure 65—Exploded View of Light Assembly
for EA-148W-3 Indicator

Fig. No.	Index No.	Part No.	1	2	3	4	5	6	7	Nomenclature	EA-148W-3	Units Per Assy
64	8B1	EA-12844-3								Holder—Pointer stop		1
64	8B2	EA-12845								Sleeve—Pointer stop		1
64	8C	AN501B0-2								Screw, fil hd 0 80 x 1/8 in.		4
64	8D	*EA-10080-15								Resistor Assembly		2
66	1	EA-10094-1								Spool Assembly		1
66	1A	EA-10096-1								Plate Assembly—Top		1
66	1A1	EA-10060								Head		1
66	1A2	EA-10063								Lug		1
66	1A3	EA-10267-1								Lug—Solder		3
66	1A4	EA-10064-1								Eyelet		3
66	1B	EA-10060								Head		1
66	1C	EA-10093								Hub Assembly		1
66	1C1	EA-10062								Hub		1
66	1C2	EA-10060								Head		1
66	1D	EA-7928								Tape—Insulating		1
66	2	EA-7912-34								Wire—Nichrome		1
66	3	EA-7928								Tape—Insulating		1
64	8E	EA-10267								Lug—Solder		6
64	8F	AN501B0-2								Screw, fil hd 0 80 x 1/8 in.		6
64	8G	EA-1562								Washer—Lock No. 6		2
64	8H	AN500B6-4								Screw, fil hd 6 32 x 1/4 in.		2
64	8J	*EA-10210A5								Mechanism Assembly		1
66	4	EA-1292-10								Case Assembly—Mechanism		1
66	4A	EA-10235-8								Case—Mechanism		1
66	4B	EA-10269								Holder Assembly—Jewel		1
66	4B1	EA-10287-1								Holder—Jewel		1
66	4B2	EA-10271								Jewel—Sapphire		1
66	5	EA-10293								Form Assembly—Coil		1
66	5A	EA-10297								Form Assembly—Pin & Coil		1
66	5A1	EA-10226								Form Coil		1
66	5A2	EA-10288								Pin—Coil form		1
66	5B	EA-10295								Winding Assembly—Coil		3
66	5B1	EA-10259								Insulator—Coil form		1
66	5B2	EA-10227								End—Coil		2
66	5B3	EA-7913-44								Wire—Copper		1
66	5B4	EA-7954-1								Lead Assembly		1
66	5B4A	EA-7948-7								Wire—White connection		1
66	5B4B	EA-10267								Lug—Solder		1
66	5B5	EA-7954-2								Lead Assembly		1

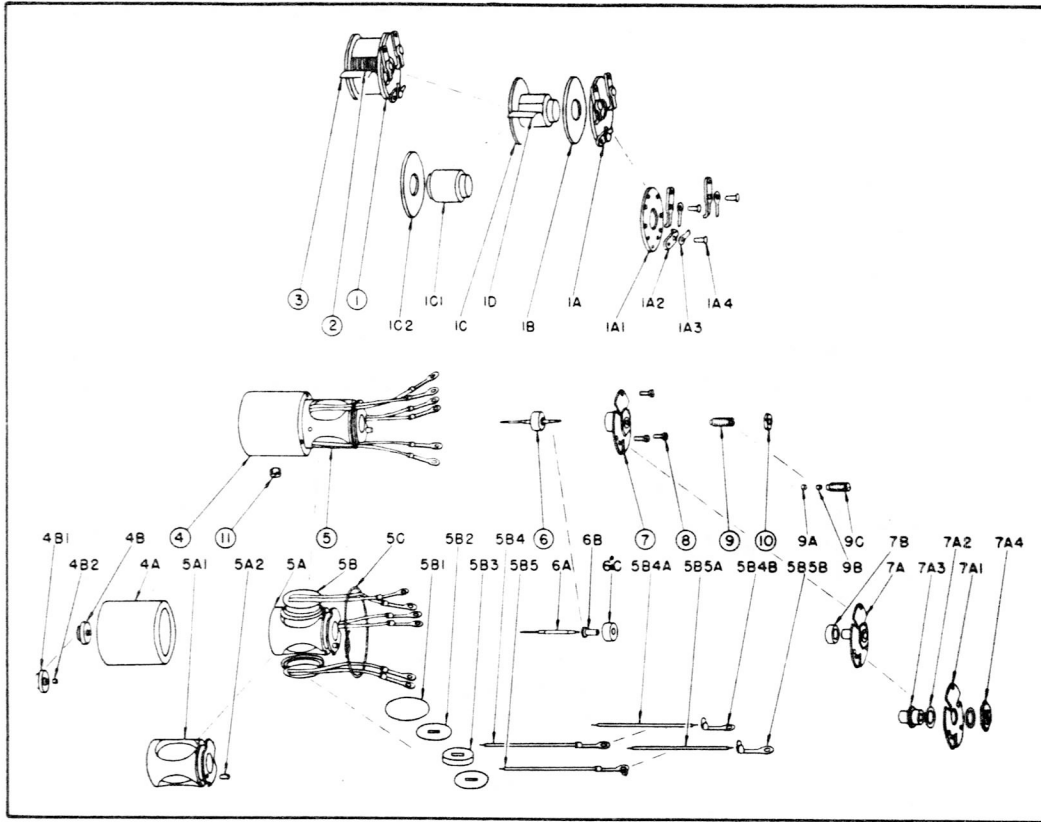


Figure 66—Exploded View of Mechanism and Resistor
for EA-148W-3 Indicator

Fig. No.	Index No.	Part No.	Nomenclature	EA-148W-3	Units Per Assy
66	5B5A	EA-7947-7	Wire—Red connection		1
66	5B5B	EA-10267	Lug—Solder		1
66	5C	EA-7920	Cord—Waxed		1
66	6	EA-10209B-1	Rotor Assembly		1
66	6A	EA-10237	Shaft—Rotor		1
66	6B	EA-10249	Bushing—Rotor		1
66	6C	EA-10233A	Magnet—Rotor		1
66	7	EA-10220-1	Regulator Assembly		1
66	7A	EA-10257	Plate Assembly—Back		1
66	7A1	EA-10366	Regulator		1
66	7A2	EA-10363	Washer—Friction		2
66	7A3	EA-10254-1	Plate—Bearing		1
66	7A4	EA-10365	Adjustment—Return		1
66	7B	EA-10368	Magnet—Return		1
66	8	AN501B0-2	Screw, fil hd 0 80 x 1/8 in.		3
66	9	EA-10394	Bearing Assembly—Rear		1
66	9A	EA-10371	Bearing—Ring jewel		1
66	9B	EA-10370	Bearing—End jewel		1
66	9C	EA-10373	Holder—Jewel, rear		1
66	10	EA-10260	Nut—Lock		1
66	11	EA-10223	Screw—Scale adjusting		AR
66	11	EA-10223A	Screw—Scale adjusting		AR
64	8K	*EA-10210B5	Mechanism Assembly		1
66	4	EA-10292-10	Case Assembly—Mechanism		1
66	4A	EA-10235-8	Case—Mechanism		1
66	4B	EA-10269	Holder Assembly—Jewel		1
66	4B1	EA-10287-1	Holder—Jewel		1
66	4B2	EA-10271	Jewel—Sapphire		1
66	5	EA-10293	Form Assembly—Coil		1
66	5A	EA-10297	Form Assembly—Pin & coil		1
66	5A1	EA-10226	Form—Coil		1
66	5A2	EA-10288	Pin—Coil form		1

RESCINDED

EO 20-85BA-4

Section II
Group Assembly Parts List

Fig. No.	Index No.	Part No.	Nomenclature	Units Per Assy
66	5B	EA-10295	Winding Assembly—Coil	3
66	5B1	EA-10259	Insulator—Coil form	1
66	5B2	EA-10227	End—Coil	2
66	5B3	EA-7913-44	Wire—Copper	1
66	5B4	EA-7954-1	Lead Assembly	1
66	5B4A	EA-7948-7	Wire—White connection	1
66	5B4B	EA-10267	Lug—Solder	1
66	5B5	EA-7954-2	Lead Assembly	1
66	5B5A	EA-7947-7	Wire—Red connection	1
66	5B5B5	EA-10267	Lug—Solder	1
66	5C	EA-7920	Cord—Waxed	1
66	6	EA-10209B2	Rotor Assembly	1
66	6A	EA-10237	Shaft—Rotor	1
66	6B	EA-10249	Bushing—Rotor	1
66	6C	EA-10233A	Magnet—Rotor	1
66	7	EA-10220-1	Regulator Assembly	1
66	7A	EA-10257	Plate Assembly—Back	1
66	7A1	EA-10366	Regulator	1
66	7A2	EA-10363	Washer—Friction	2
66	7A3	EA-10254-1	Plate—Bearing	1
66	7A4	EA-10365	Adjustment—Return	1
66	7B	EA-10368	Magnet—Return	1
66	8	AN501B0-2	Screw, fil hd 0 80 x 1/8 in.	3
66	9	EA-10394	Bearing Assembly—Rear	1
66	9A	EA-10371	Bearing—Ring jewel	1
66	9B	EA-10370	Bearing—End jewel	1
66	9C	EA-10373	Holder—Jewel, rear	1
66	10	EA-10260	Nut—Lock	1
66	11	EA-10223	Screw—Scale adjusting	AR
66	11	EA-10223A	Screw—Scale adjusting	AR
64	8L	*EA-10825	Insert	4
64	8M	EA-10812	Screw—Set	4
64	9	EA-10810B-14	Case Assembly	1
64	9A	EA-10824-7	Case	1
64	9B	EA-10085-1	Spacer	1
64	9C	EA-7941-3	Receptacle Assembly	1
64	9C1	AN3102-18-1P	Receptacle	1
64	9C2	EA-7917-6	Wire—Green connection	1
64	9C3	EA-7914-4	Wire—Blue connection	1
64	9C4	EA-7914-6	Wire—Blue connection	1
64	9C5	EA-7916-8	Wire Yellow connection	1
64	9C6	EA-7919-4	Wire—White connection	1
64	9C7	EA-7919-8	Wire—White connection	1
64	9C8	EA-7918-5	Wire—Black connection	2
64	9C9	EA-7915-3	Wire—Red connection	1
64	9C10	EA-7915-5	Wire—Red connection	1
64	9D	70401-4	Rivet	4
64	9E	*EA-10081-1	Resistor Assembly	1
66	1	EA-10094-1	Spool Assembly	1
66	1A	EA-10096-1	Plate Assembly—Top	1
66	1A1	EA-10060	Head	1
66	1A2	EA-10063	Lug	3
66	1A3	EA-10267-1	Lug—Solder	3
66	1A4	EA-10064-1	Eyelet	3
66	1B	EA-10060	Head	1
66	1C	EA-10093	Hub Assembly	1
66	1C1	EA-10062	Hub	1
66	1C2	EA-10060	Head	1
66	1D	EA-7928	Tape—Insulating	2
66	2	EA-7912-32	Wire—Nichrome	2
66	3	EA-7928	Tape—Insulating	1
64	9F	EA-10267	Lug—Solder	3
64	9G	AN501B0-2	Screw, fil hd 0 80 x 1/8 in.	3
64	9H	AN510B3-5	Screw, FH 3 56 x 5/16 in.	1
64	9J	AN960B-3	Washer	1
64	9K	EA-1535	Washer—Lock No. 4	1
64	9L	AN345B-3	Nut, hex 3 56	1
64	10	70558	Screw, FH 3 56 x 5/32 in.	4
64	11	NPB-148-W-3	Plate—Name	1
64	12	AN501B1-2	Screw, fil hd 1 72 x 1/8 in	2

Section II
Group Assembly Parts List

Fig. No.	Index No.	Part No.	Nomenclature	1	2	3	4	5	6	7	EA-150-12	EA-150-16	Units Per Assy
		EA-150	Indicator								x	x	1
67	1	EA-10191	Bezel Assembly								x	x	1
67	1A	EA-10136	Bezel								x	x	1
67	1B	*EA-10138	Glass								x	x	1
67	1C	EA-10119	Ring—Snap								x	x	1
67	2	EA-10166	Screw								x	x	8
67	3	*EA-10443	Gasket—Bezel								x	x	1
67	4	*EA-15003-1Y	Pointer Assembly								x	x	1
67	4A	3992-14	Blank—Pointer								x	x	1
67	4B	EA-15043-3	Body—Pointer								x	x	1
67	4C	EA-10146-5	Weight—Pointer								x	x	1
67	5	AN501B0-2	Screw, fil hd 0 80 x 1/8 in.								x	x	3
67	6	EA-15005-12	Dial								x		1
67	6	EA-15005-16	Dial									x	1
67	7	EA-15001D-1	Plate Assembly—Mounting								x	x	1
67	7A	EA-15002C	Plate Sub Assembly—Mounting								x	x	1
68	1	EA-10115A-19	Plate—Mounting								x	x	1
68	2	EA-10416	Insert								x	x	1
68	3	EA-10040	Nut—Stop								x	x	4
67	7B	EA-15004D-1	Mechanism & Bracket Assembly								x	x	1
68	4	EA-15090D-1	Receptacle & Bracket Assembly								x	x	1
68	4A	EA-15527-1	Bracket								x	x	1
68	4B	EA-10084-5	Resistor Assembly								x	x	2
69	1	EA-10018-3	Spool Assembly								x	x	1
69	1A	EA-10019-3	Plate Assembly—Top								x	x	1
69	1A1	EA-10060	Head								x	x	1
69	1A2	EA-10067	Lug—Terminal								x	x	2
69	1A3	EA-10064	Eyelet								x	x	2
69	1B	EA-10060	Head								x	x	1

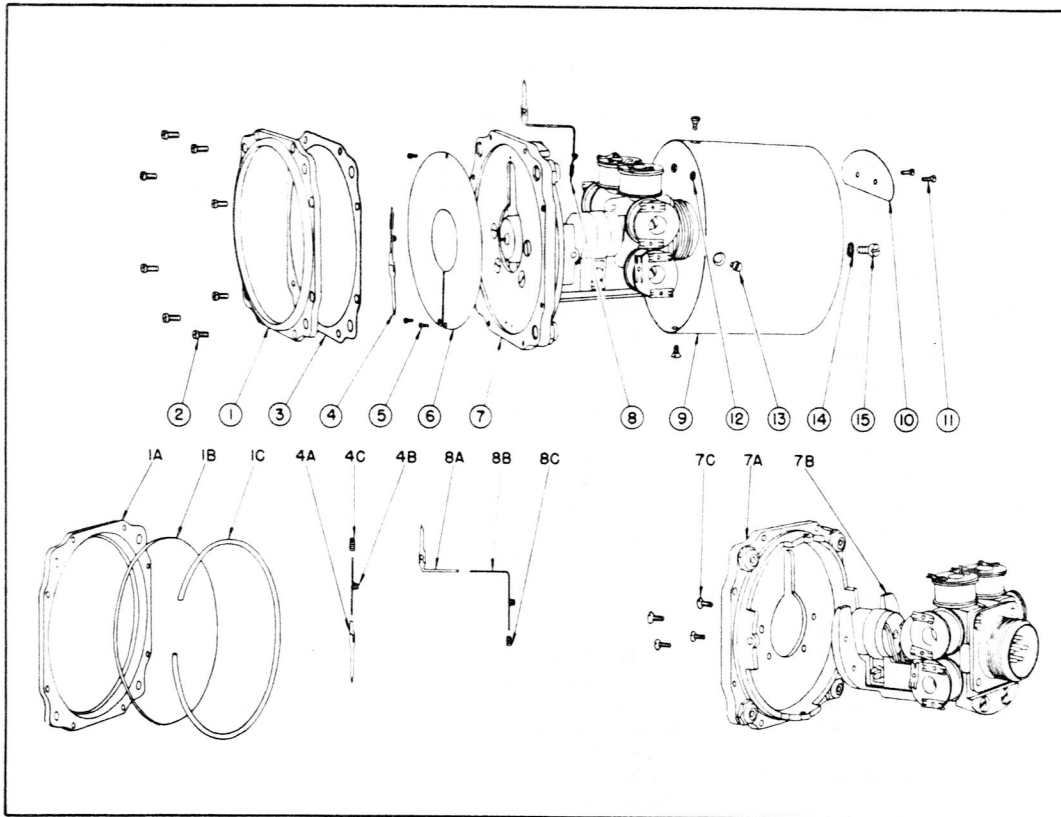


Figure 67—Exploded View of Main Assembly
for EA-150-12, and -16 Indicators

RESCINDED

EO 20-85BA-4

Section II
Group Assembly Parts List

Fig. No.	Index No.	Part No.	Nomenclature							Units Per Assy							
			1	2	3	4	5	6	7								
67, 68 & 69		EA-150-24	Indicator														1
67	4	EA-15003-1Y	Pointer Assembly														1
67	8	EA-15008-1Y	Pointer Assembly														1
67	6	EA-15005-24	Dial														1
67	10	NPC-150-24	Nameplate														1

ALL OTHER PARTS TO COMPLETE INDICATOR
ARE FOUND ON FIGURES 67, 68 & 69

67, 68 & 69		EA-155-13	Indicator															1
67	4	EA-10890-14	Pointer Assembly															1
67	8	EA-10890-8Y	Pointer Assembly															1
67	6	EA-15505-13	Dial															1
67	7	EA-15001D-2	Plate Assembly—Mounting															1
68	1	EA-10115A-19	Plate—Mounting															1
69	4B	EA-10084-5	Resistor															2
69	4C	EA-10084-6	Resistor															2
69	4D	EA-10084-7	Resistor															1
69	4D	EA-10084-27	Resistor															1
67	10	NPS155-13	Nameplate															1

ALL OTHER PARTS TO COMPLETE INDICATOR
ARE FOUND ON FIGURES 67, 68 & 69

Section II
Group Assembly Parts List

EO 20-85BA-4

Fig. No.	Index No.	Part No.	Nomenclature								Units Per Assy		
				EA-150AN-7	EA-150AN-8	EA-150AN-9	EA-150AN-12A	EA-150AN-17	EA-150AN-18	EA-150AN-24		EA-155AN-14	
67A	1	AN510B3-3	Screw	x	x	x	x	x	x	x	x	x	3
67A	2	EA-19011-3	Case Assembly (Without Stop Nuts)	x	x	x		x	x				1
67A	2	EA-19011-4	Case Assembly (With Stop Nuts)				x				x	x	1
67A	2A	EA-19008	Case	x	x	x	x	x	x	x	x	x	1
67A	2B	EA-19056	Glass	x	x	x	x	x	x	x	x	x	1
67A	2C	EA-19057	Snap-Ring	x	x	x	x	x	x	x	x	x	1
67A	3	EA-15003-1F	Pointer	x	x	x	x				x		1
67A	3	EA-15003-4F	Pointer					x					1
67A	3	EA-15003-5F	Pointer							x			1
67A	3	EA-10890-14F	Pointer									x	1
67A	4	EA-15008-1F	Pointer	x	x	x	x				x		1
67A	4	EA-15008-7F	Pointer					x					1
67A	4	EA-15008-8F	Pointer							x			1
67A	4	EA-10890-8F	Pointer									x	1
67A	5	EA-15005AN-7	Dial	x									1
67A	5	EA-15005AN-8	Dial		x								1
67A	5	EA-15005AN-9	Dial			x							1
67A	5	EA-15005AN-14	Dial									x	1
67A	5	EA-15005AN-12A	Dial				x						1
67A	5	EA-15005AN-17	Dial					x					1
67A	5	EA-15005AN-18	Dial							x			1
67A	5	EA-15005AN-24	Dial								x		1
67A	6	NPS150AN-7	Nameplate	x									1
67A	6	NPS150AN-8	Nameplate		x								1
67A	6	NPS150AN-9	Nameplate			x							1
67A	6	NPS150AN-12A	Nameplate				x						1
67A	6	NPT150AN-17	Nameplate					x					1
67A	6	NPT150AN-18	Nameplate						x				1
67A	6	NPS150AN-24	Nameplate								x		1
67A	6	NPS155AN-14	Nameplate									x	1
67A	7	AN515B2-3	Screw	x	x	x	x	x	x	x	x	x	2
67A	8	EA-15001AN-1	Back Plate Assembly	x	x	x	x	x	x	x	x	x	1
67A	9	EA-19004-1	Back Plate Sub Assembly	x	x	x	x	x	x	x	x	x	1
67A	10	AN505B6-8	Screw	x	x	x	x	x	x	x	x	x	2
67A	11	EA-19081	Spacer	x	x	x	x	x	x	x	x	x	1
67A	12	EA-19051-10	Back Plate	x	x	x	x	x	x	x	x	x	1
67A	13	EA-7940-10	Receptacle Assembly	x	x	x	x	x	x	x	x	x	1
67A	14	AN500B4-4	Screw	x	x	x	x	x	x	x	x	x	4
67A	15	AN935B4	Washer—Lock	x	x	x	x	x	x	x	x	x	4
67A	16	AN515B6-4	Screw	x	x	x	x	x	x	x	x	x	2
67A	17	AN935B6	Washer—Lock	x	x	x	x	x	x	x	x	x	2
67A	18	EA-19073	Bracket	x	x	x	x	x	x	x	x	x	1
67A	19	AN515B6-5	Screw	x	x	x	x	x	x	x	x	x	2
67A	20	EA-10083-1	Resistor	x	x	x	x	x	x	x	x	x	1
67A	21	EA-10083-6	Resistor	x	x	x	x	x	x	x	x	x	1
67A	22	EA-14511-3	Bracket—Mechanism	x	x	x	x	x	x	x	x	x	1
67A	23	EA-15016	Clamp—Mechanism	x	x	x	x	x	x	x	x	x	2
67A	24	EA-15011	Clamp—Pressure	x	x	x	x	x	x	x	x	x	2
67A	25	AN500B6-10	Screw	x	x	x	x	x	x	x	x	x	2
67A	26	EA-47012	Nut	x	x	x	x	x	x	x	x	x	2
67A	27	AN935B6	Washer—Lock	x	x	x	x	x	x	x	x	x	2
67A	28	EA-10210C6	Mechanism	x	x	x	x	x	x	x	x	x	1
67A	29	EA-10210D6	Mechanism	x	x	x	x	x	x	x	x	x	1
67A	30	AN510B3-3	Screw	x	x	x	x	x	x	x	x	x	3
67A	31	EA-19080	Sub-Dial	x	x	x	x	x	x	x	x	x	1

RESCINDED

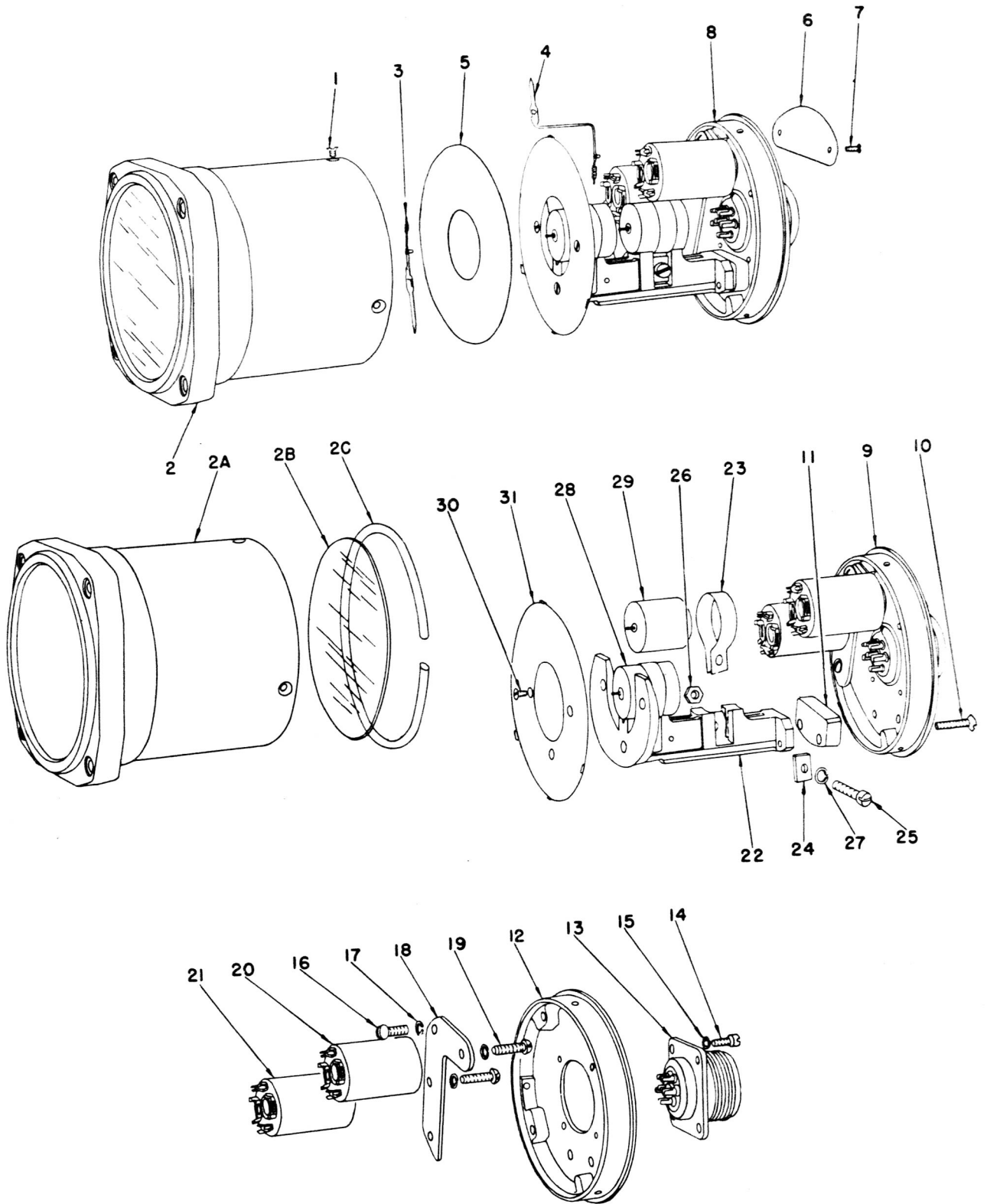


Figure 67A—Indicator EA-150AN

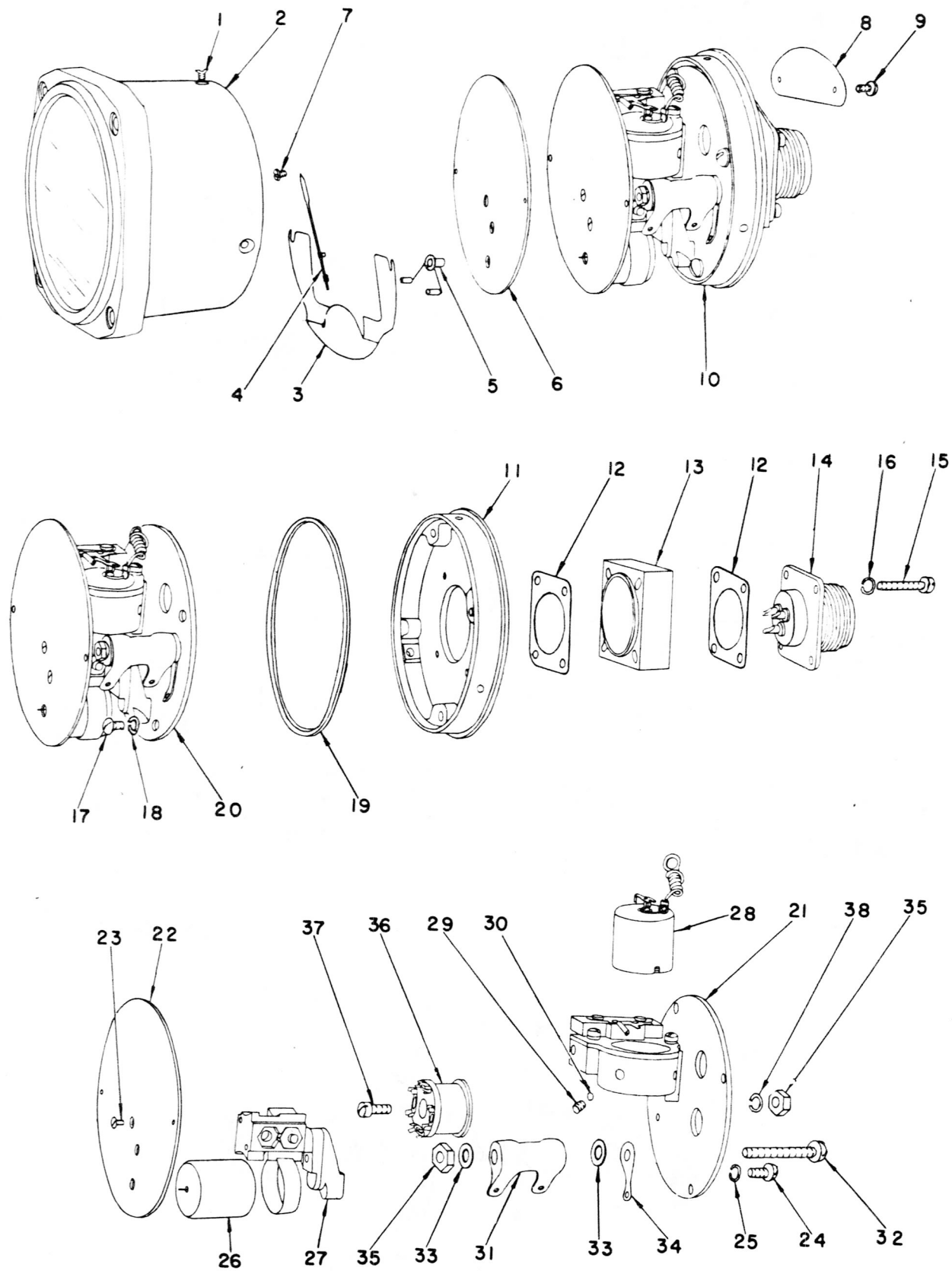


Figure 67B—Indicators EA-303AN

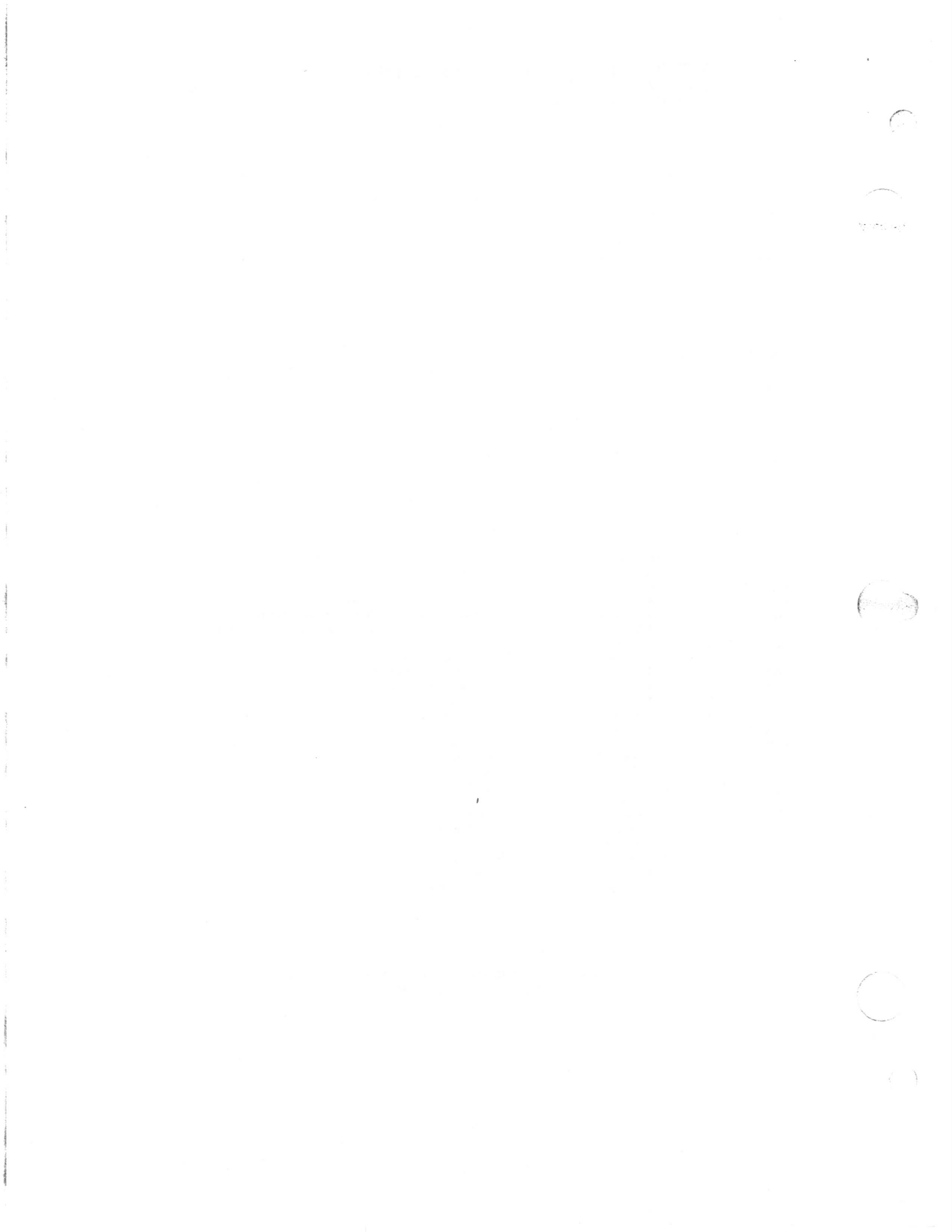
RESCINDED

EO 20-85BA-4

Section II
Group Assembly Parts List

Fig. No.	Index No.	Part No.	Nomenclature							Units Per Assy
			1	2	3	4	5	6	7	
		EA-303AN-1							Indicator	
67B	1	AN510B3-3							Screw	3
67B	2	EA-19010-5							Case Assembly (with stop nuts)	1
56A	2A	EA-19053-1							Case	1
56B	2B	EA-19062							Glass	1
56C	2C	EA-19061							Snap-Ring	1
67B	3	EA-19034							Shield	1
67B	4	EA-10890-7F							Pointer	1
67B	5	EA-19041A							Stop-Pointer	1
67B	6	EA-30305AN-1							Dial	1
67B	7	AN515B2-2							Screw	2
67B	8	NPS-303AN-1							Nameplate	1
67B	9	AN515B2-3							Screw	2
67B	10	EA-30301AN-1							Backplate Assembly	1
67B	11	EA-30304AN							Backplate Sub-Assembly	1
67B	12	EA-4551							Gasket	2
67B	13	EA-19050-1							Adaptor	1
67B	14	EA-7937-21							Receptacle Assembly	1
67B	15	AN500B4-11							Screw	4
67B	16	AN935B4							Washer-Lock	4
67B	17	AN515B6-5							Screw	3
67B	18	AN935B6							Washer-Lock	3
67B	19	EA-19092							Gasket	1
67B	20	EA-30302AN							Mounting Plate Assembly	1
67B	21	EA-30303AN							Mounting Plate Sub-Assembly	1
67B	22	EA-19055							Sub-Dial	1
67B	23	EA-7960							Screw	2
67B	24	AN515B6-5							Screw	1
67B	25	AN935B6							Washer-Lock	1
67B	26	EA-10210L6							Mechanism	1
67B	27	EA-19003-2							Saddle Assembly-Mechanism	1
56A	27A	EA-19058							Saddle-Mechanism (Matched Parts Assembled)	1
56A	27B	EA-19059							Bracket-Mechanism (Matched Parts Assembled)	1
56A	27C	AN515B6-5							Screw	1
56A	27D	AN935B6							Washer-Lock	1
56A	27E	EA-19016							Clamp-Mechanism	1
56A	27F	EA-19011							Clamp-Pressure	1
56A	27G	AN500B6-7							Screw	1
56A	27H	AN935B6							Washer-Lock	1
56A	27J	EA-47012							Nut	3
67B	28	EA-10-210KIS							Mechanism	1
67B	29	EA-10812							Set Screw	2
67B	30	EA-10825							Insert	2
67B	31	EA-47013-15							Resistor	1
67B	32	AN515B6-18							Screw	1
67B	33	EA-47014							Washer	1
67B	34	EA-1630							Lug-Solder	1
67B	35	AN340B6							Nut	2
67B	36	EA-10084-42							Resistor	1
67B	37	EA-500B6-4							Screw	1
67B	38	AN935B6							Washer-Lock	1

EA-303AN-3 INDICATOR - USE SAME PARTS AS LISTED ABOVE,
EXCEPT - DIAL EA-30305AN-3 AND NAMEPLATE NPS-303AN-3



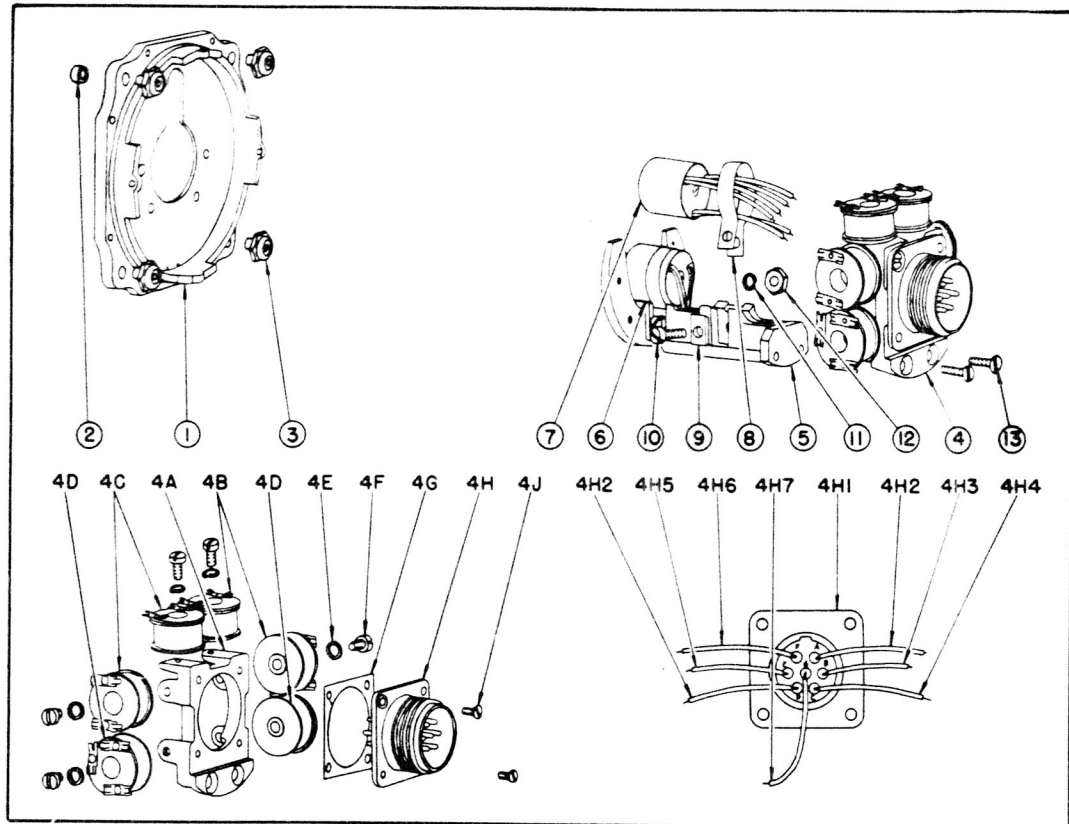


Figure 68—Exploded View of Mounting Plate Assembly
for EA-150-12, and -16 Indicators

Fig. No.	Index No.	Part No.	Nomenclature							EA-150-12	EA-150-16	Units Per Assy
			1	2	3	4	5	6	7			
69	1C	EA-10093								x	x	1
69	1C1	EA-10062								x	x	1
69	1C2	EA-10060								x	x	1
69	1D	EA-7928								x	x	1
69	2	EA-7912-30								x	x	1
69	3	EA-7928								x	x	1
68	4C	*EA-10084-6								x	x	2
69	1	EA-10018-3								x	x	1
69	1A	EA-10019-3								x	x	1
69	1A1	EA-10060								x	x	1
69	1A2	EA-10067								x	x	2
69	1A3	EA-10064								x	x	2
69	1B	EA-10060								x	x	1
69	1C	EA-10093								x	x	1
69	1C1	EA-10062								x	x	1
69	1C2	EA-10060								x	x	1
69	1D	EA-7928								x	x	1
69	2	EA-7912-32								x	x	1
69	3	EA-7928								x	x	1
68	4D	*EA-10084-7								x	x	2
69	4	EA-10018-1								x	x	1
69	4A	EA-10019-1								x	x	1
69	4A1	EA-10060								x	x	1
69	4A2	EA-10067								x	x	3
69	4A3	EA-10064								x	x	3
69	4B	EA-10060								x	x	1
69	4C	EA-10093								x	x	1
69	4C1	EA-10062								x	x	1
69	4C2	EA-10060								x	x	1
69	4D	EA-7928								x	x	1
69	5	EA-7912-32								x	x	1
69	6	EA-7928								x	x	1

Section II
Group Assembly Parts List

EO 20-85BA-4

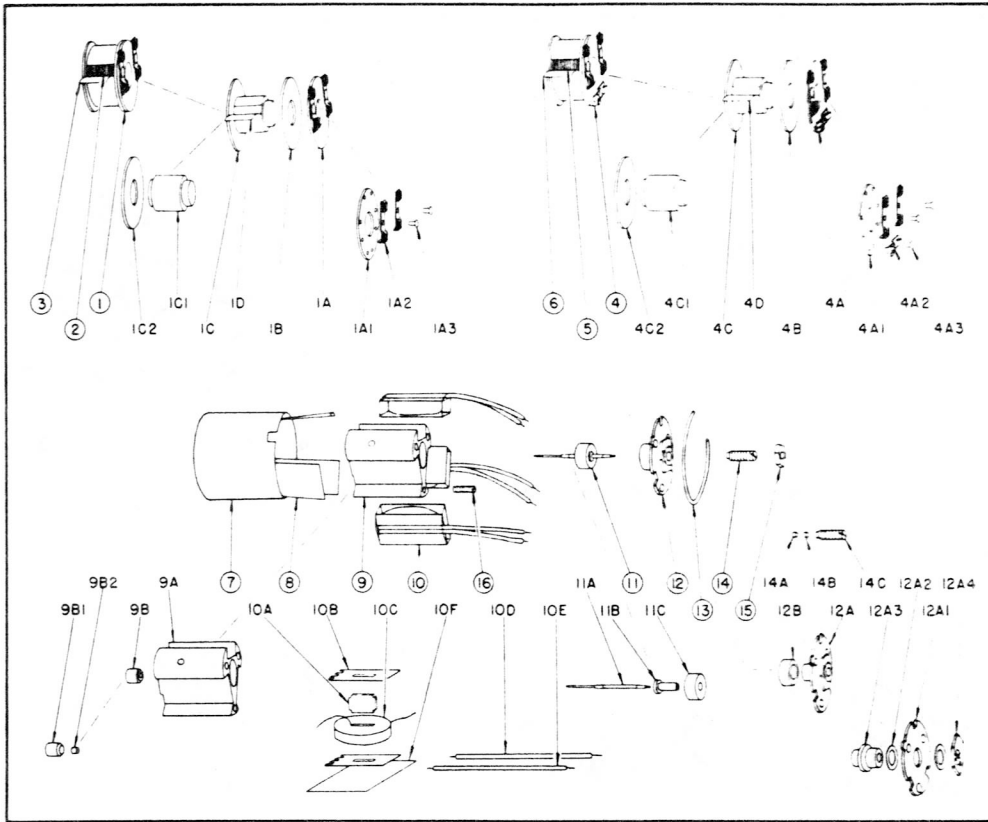


Figure 69—Exploded View of Mechanism and Resistors
for EA-150-12, and -16 Indicators

Fig. No.	Index No.	Part No.	Nomenclature	1	2	3	4	5	6	7	EA-150-12	EA-150-16	Units Per Assy
68	4E	EA-1562	Washer—Lock, No. 6								x	x	6
68	4F	AN500B6-4	Screw, fl hd 6 32 x 1/4 in.								x	x	6
68	4G	EA-15013-1	Spacer								x	x	1
68	4H	EA-7940-4	Receptacle Assembly								x	x	1
68	4H1	EA-17013-4	Receptacle								x	x	1
68	4H2	EA-7916-6	Wire—Yellow connection								x	x	2
68	4H3	EA-7917-6	Wire—Green connection								x	x	1
68	4H4	EA-7914-5	Wire—Blue connection								x	x	1
68	4H5	EA-7917-4	Wire—Green connection								x	x	1
68	4H6	EA-7914-6	Wire—Blue connection								x	x	1
68	4H7	EA-7915-5	Wire—Red connection								x	x	1
68	4J	AN510B4-5	Screw, FH 4 48 x 5/16 in.								x	x	2
68	5	EA-14511-11	Bracket—Mechanism								x	x	1
68	6	*EA-10210C6	Mechanism Assembly								x	x	1
69	7	EA-10289	Shell								x	x	1
69	8	EA-10374	Cup—Insulating								x	x	1
69	9	EA-10390	Form Assembly—Coil								x	x	1
69	9A	EA-10360	Form—Coil								x	x	1
69	9B	EA-10395	Bearing Assembly								x	x	1
69	9B1	EA-10372	Holder—Jewel								x	x	1
69	9B2	EA-10371	Jewel—Sapphire								x	x	1
69	10	EA-10391	Winding Assembly—Coil								x	x	3
69	10A	EA-10361	Core—Coil								x	x	1
69	10B	EA-10362	End—Coil								x	x	2
69	10C	EA-7913-42	Wire—Copper								x	x	1
69	10D	EA-7947-11	Wire—Red connection								x	x	1
69	10E	EA-7948-11	Wire—White connection								x	x	1
69	10F	EA-10380	Insulation—Coil form								x	x	1
69	11	EA-10209B-7	Rotor Assembly								x	x	1
69	11A	EA-10237	Shaft—Rotor								x	x	1
69	11B	EA-10249	Bushing—Rotor								x	x	1
69	11C	EA-10233A	Magnet—Rotor								x	x	1

RESCINDED

EO 20-85BA-4

Section II
Group Assembly Parts List

Fig. No.	Index No.	Part No.	Nomenclature							EA-150-12	EA-150-16	Units Per Assy
			1	2	3	4	5	6	7			
69	12	EA-10393								x	x	1
69	12A	EA-10392								x	x	1
69	12A1	EA-10364								x	x	1
69	12A2	EA-10363								x	x	2
69	12A3	EA-10366								x	x	1
69	12A4	EA-10365								x	x	1
69	12B	EA-10368								x	x	1
69	13	EA-10367								x	x	1
69	14	EA-10394								x	x	1
69	14A	EA-10371								x	x	1
69	14B	EA-10370								x	x	1
69	14C	EA-10373								x	x	1
69	15	EA-10260								x	x	1
69	16	EA-10229								x	x	AR
68	7	*EA-10210D6								x	x	1
69	7	EA-10289								x	x	1
69	8	EA-10374								x	x	1
69	9	EA-10390								x	x	1
69	9A	EA-10360								x	x	1
69	9B	EA-10395								x	x	1
69	9B1	EA-10372								x	x	1
69	9B2	EA-10371								x	x	1
69	10	EA-10391								x	x	3
69	10A	EA-10361								x	x	1
69	10B	EA-10362								x	x	2
69	10C	EA-7913-42								x	x	1
69	10D	EA-7947-11								x	x	1
69	10E	EA-7948-11								x	x	1
69	10F	EA-10380								x	x	1
69	11	EA-10209B-7								x	x	1
69	11A	EA-10237								x	x	1
69	11B	EA-10249								x	x	1
69	11C	EA-10233A								x	x	1
69	12	EA-10393								x	x	1
69	12A	EA-10392								x	x	1
69	12A1	EA-10364								x	x	1
69	12A2	EA-10363								x	x	2
69	12A3	EA-10366								x	x	1
69	12A4	EA-10365								x	x	1
69	12B	EA-10368								x	x	1
69	13	EA-10367								x	x	1
69	14	EA-10394								x	x	1
69	14A	EA-10371								x	x	1
69	14B	EA-10370								x	x	1
69	14C	EA-10373								x	x	1
69	15	EA-10260								x	x	1
69	16	EA-10229								x	x	AR
68	8	EA-15016								x	x	2
68	9	EA-15011								x	x	2
68	10	AN500B6-10								x	x	2
68	11	EA-1562								x	x	2
68	12	AN340B6								x	x	2
68	13	AN505B6-6								x	x	2
67	7C	AN505B4-3								x	x	4
67	8	*EA-15008-1Y								x	x	1
67	8A	EA-15042-1								x	x	1
67	8B	3992-16								x	x	1
67	8C	EA-10146-6								x	x	1
67	9	EA-15024-4								x	x	1
67	10	NPC-150-12								x		1
67	10	NPC-150-16									x	1
67	11	AN501B1-3								x	x	2
67	12	AN345B-1								x	x	2
67	13	70558								x	x	4
67	14	EA-1535								x	x	2
67	15	AN501B4-5								x	x	2

Section II
Group Assembly Parts List

EO 20-85BA-4

Fig. No.	Index No.	Part No.	Nomenclature												Units Per Assy											
				1	2	3	4	5	6	7	EA-15-10	EA-15-11	EA-15-12	EA-15-228150		EA-15-5105650	EA-15-C-169539	EA-15-C-169581	EA-15-3-14867-1	EA-15-3-14867-2	EA-15W-3-14659	EA-15W-3-14659-1	EA-15W-3-14659-2	EA-15W-214189-3		
			Tank Unit Assembly																							
70	1	EA-1525	Cover—Housing	x	x	x	x	x	x	x	x	x	x	x	x	x	x	x	x	x	x	x	x	x	1	
70	2	AN340B8	Nut	x	x	x	x	x	x	x	x	x	x	x	x	x	x	x	x	x	x	x	x	x	2	
70	3	AN935B8	Washer—Lock	x	x	x	x	x	x	x	x	x	x	x	x	x	x	x	x	x	x	x	x	x	2	
70	4	EA-1542	Stud	x	x	x	x	x	x	x	x	x	x	x	x	x	x	x	x	x	x	x	x	x	2	
70	5	EA-1502-1	Potentiometer Assembly	x	x	x	x	x	x	x	x	x	x	x	x	x	x	x	x	x	x	x	x	x	1	
71	1	EA-1504-1	Base Assembly—Potentiometer	x	x	x	x	x	x	x	x	x	x	x	x	x	x	x	x	x	x	x	x	x	1	
72	1	EA-1512	Base	x	x	x	x	x	x	x	x	x	x	x	x	x	x	x	x	x	x	x	x	x	1	
72	2	EA-1521	Resistor	x	x	x	x	x	x	x	x	x	x	x	x	x	x	x	x	x	x	x	x	x	1	
72	3	Comm	Eyelet, Stimpson Co. Part No. A-1177 (EA-1548)	x	x	x	x	x	x	x	x	x	x	x	x	x	x	x	x	x	x	x	x	x	2	
72	4	EA-1516	Shaft	x	x	x	x	x	x	x	x	x	x	x	x	x	x	x	x	x	x	x	x	x	1	
72	5	EA-1524	Lever—Adjustment R —	x	x	x	x	x	x	x	x	x	x	x	x	x	x	x	x	x	x	x	x	x	1	
72	6	EA-1527	Lever—Adjustment R +	x	x	x	x	x	x	x	x	x	x	x	x	x	x	x	x	x	x	x	x	x	1	
72	7	EA-1522	Washer	x	x	x	x	x	x	x	x	x	x	x	x	x	x	x	x	x	x	x	x	x	3	
72	8	EA-1523	Bushing	x	x	x	x	x	x	x	x	x	x	x	x	x	x	x	x	x	x	x	x	x	1	
72	9	EA-1526	Eccentric—Adjustment	x	x	x	x	x	x	x	x	x	x	x	x	x	x	x	x	x	x	x	x	x	2	
72	10	EA-1576	Stud	x	x	x	x	x	x	x	x	x	x	x	x	x	x	x	x	x	x	x	x	x	1	
71	2	EA-1257	Washer	x	x	x	x	x	x	x	x	x	x	x	x	x	x	x	x	x	x	x	x	x	2	
71	3	EA-1505	Arm Assembly—Contact	x	x	x	x	x	x	x	x	x	x	x	x	x	x	x	x	x	x	x	x	x	1	
71	3A	EA-1514	Arm—Contact	x	x	x	x	x	x	x	x	x	x	x	x	x	x	x	x	x	x	x	x	x	1	
71	3B	EA-1658	Shoe—Contact arm	x	x	x	x	x	x	x	x	x	x	x	x	x	x	x	x	x	x	x	x	x	1	
71	3C	EA-1631	Blade—Contact arm	x	x	x	x	x	x	x	x	x	x	x	x	x	x	x	x	x	x	x	x	x	1	
71	3D	EA-1550	Washer—Spring	x	x	x	x	x	x	x	x	x	x	x	x	x	x	x	x	x	x	x	x	x	1	
71	3E	Comm	Eyelet, Waterbury Co. Part No. 9966 (EA-1518)	x	x	x	x	x	x	x	x	x	x	x	x	x	x	x	x	x	x	x	x	x	1	
71	3F	EA-1582	Washer	x	x	x	x	x	x	x	x	x	x	x	x	x	x	x	x	x	x	x	x	x	1	
71	4	EA-1575	Spring	x	x	x	x	x	x	x	x	x	x	x	x	x	x	x	x	x	x	x	x	x	1	
71	5	Comm	Pin—Locking (copper) No. 18 B & S ga x 3/8 in. lg (EA-1229)	x	x	x	x	x	x	x	x	x	x	x	x	x	x	x	x	x	x	x	x	x	1	
71	6	EA-1520	Contact—Contact arm	x	x	x	x	x	x	x	x	x	x	x	x	x	x	x	x	x	x	x	x	x	1	
71	7	660-51	Lug—Solder	x	x	x	x	x	x	x	x	x	x	x	x	x	x	x	x	x	x	x	x	x	1	
71	8	AN935B6	Washer—Lock	x	x	x	x	x	x	x	x	x	x	x	x	x	x	x	x	x	x	x	x	x	1	
71	9	AN520B6-4	Screw, RH 6 40 x 1/4 in.	x	x	x	x	x	x	x	x	x	x	x	x	x	x	x	x	x	x	x	x	x	1	
70	5	EA-1502S-1	Potentiometer Assembly																						1	
73	1	EA-1504-1	Base Assembly—Potentiometer																						1	
72	1	EA-1512	Base																						1	
72	2	EA-1521	Resistor																						1	
72	3	Comm	Eyelet, Stimpson Co. Part No. A-1177 (EA-1548)																						2	
72	4	EA-1516	Shaft																						1	
72	5	EA-1524	Lever—Adjustment R —																						1	
72	6	EA-1527	Lever—Adjustment R +																						1	
72	7	EA-1522	Washer																						3	
72	8	EA-1523	Bushing																						1	
72	9	EA-1526	Eccentric—Adjustment																						2	
72	10	EA-1576	Stud																						1	
73	2	EA-1257	Washer																						2	
73	3	EA-1505S	Arm—Contact and Switch Arm Assembly																						1	
73	3A	EA-1505	Arm Assembly—Contact																						1	
71	3A	EA-1514	Arm—Contact																						1	
71	3B	EA-1658	Shoe—Contact arm																						1	
71	3C	EA-1631	Blade—Contact arm																						1	
71	3D	EA-1550	Washer—Spring																						1	
71	3E	Comm	Eyelet, Waterbury Co. Part No. 9966 (EA-1518)																						1	
71	3F	EA-1582	Washer																						1	
73	3B	Comm	Eyelet, Waterbury Co. Part No. 9966 (EA-1518)																						1	
73	3C	EA-1559	Arm—Switch contact																						1	
73	3D	EA-1550	Washer—Spring																						1	
73	4	EA-1575	Spring																						1	

RESCINDED

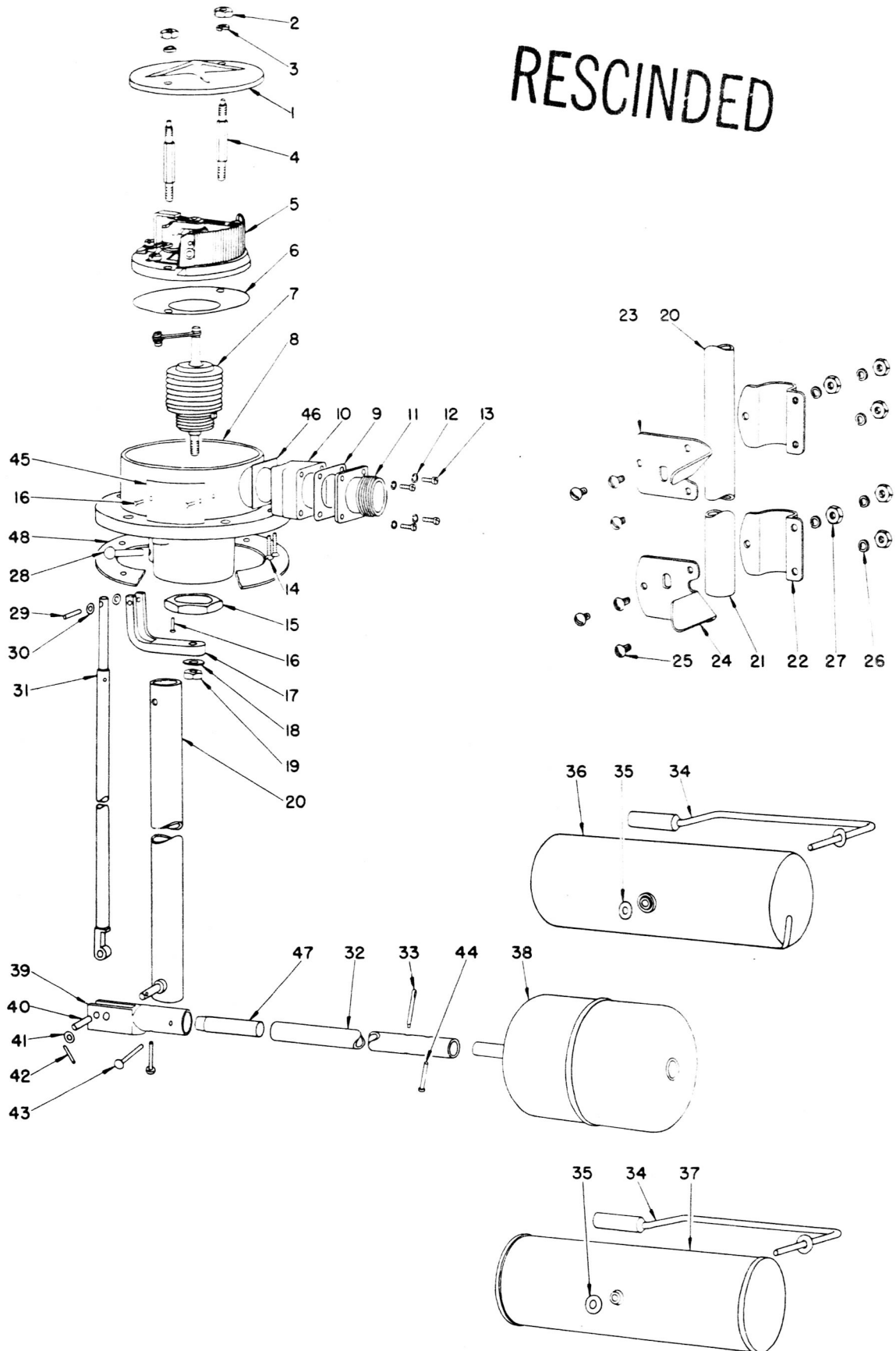


Figure 70—Tank Unit EA-15 and EA-15W

Section II
Group Assembly Parts List

EO 20-85BA-4

Fig. No.	Index No.	Part No.	Nomenclature												Units Per Assy								
				1	2	3	4	5	6	7	EA-15-10	EA-15-11	EA-15-12	EA-15-228150		EA-15-5105650	EA-15-C-169539	EA-15-C-169581	EA-15-3-14867-1	EA-15-3-14867-2	EA-15W-3-14659	EA-15W-3-14659-1	EA-15W-3-14659-2
73	5	Comm	Pin—Locking (copper) No. 18 B & S ga x 3/8 in. lg (EA-1229)																x	x	x	x	1
73	6	EA-1520	Contact—Contact arm																x	x	x	x	1
73	7	660-51	Lug—Solder																x	x	x	x	1
73	8	AN935B6	Washer—Lock																x	x	x	x	1
73	9	AN520B6-4	Screw, RH 6 40 x 1/4 in.																x	x	x	x	1
73	10	EA-1508	†Switch Assembly—Warning																x	x	x	x	1
75	1	EA-6511	Housing and Stem Assembly																x	x	x	x	1
75	1A	EA-1645	Housing Assembly																x	x	x	x	1
76	1	EA-1641	Housing—Warning switch																x	x	x	x	1
76	2	EA-1598	Plate—Stop																x	x	x	x	1
76	3	EA-1556	Spring—Arm return																x	x	x	x	1
76	4	AN430B2-3	Rivet, cut to 1/8 in. (EA-1529)																x	x	x	x	2
75	1B	EA-1510	Stem Assembly																x	x	x	x	1
76	5	EA-6510	Stem with contact point																x	x	x	x	1
76	5A	EA-1554	Stem																x	x	x	x	1
76	5B	EA-1567-1	Contact																x	x	x	x	1
76	6	EA-1557	Retainer—Diaphragm																x	x	x	x	1
76	7	EA-1566	Diaphragm																x	x	x	x	1
76	8	Comm	Cord—Waxed, dental floss Johnson & Johnson Co. (EA-7920)																x	x	x	x	1
75	1C	EA-1656	Shaft—Stem																x	x	x	x	1
75	2	EA-1555	Arm—Contact																x	x	x	x	1
75	3	EA-1569	Pin—Contact arm																x	x	x	x	1
75	4	EA-1646	Cover Assembly																x	x	x	x	1
75	4A	EA-1643	Cover																x	x	x	x	1
75	4B	EA-1647-1	Contact																x	x	x	x	1
75	4C	EA-1655	Strip—Connection																x	x	x	x	1
75	4D	Comm	Pin—Bank No. 5 (EA-3924)																x	x	x	x	1
73	11	AN515B3-4	Screw, RH 3 48 x 1/4 in.																x	x	x	x	1
73	12	EA-1657	Spacer																x	x	x	x	1
73	13	AN515B3-5	Screw, RH 3 48 x 5/16 in.																x	x	x	x	1
70	6	EA-1583	Pad—Insulating	x	x	x	x	x	x	x	x	x	x	x	x	x	x	x	x	x	x	x	1
70	7	EA-1203	†Seal Assembly—Bellows	x	x	x	x	x	x	x	x	x	x	x	x	x	x	x	x	x	x	x	1
79	1	EA-1445	Bellows	x	x	x	x	x	x	x	x	x	x	x	x	x	x	x	x	x	x	x	1
79	2	EA-6507	Holder Assy—Bellows	x	x	x	x	x	x	x	x	x	x	x	x	x	x	x	x	x	x	x	1
79	2A	EA-1232	Lever—Bellows	x	x	x	x	x	x	x	x	x	x	x	x	x	x	x	x	x	x	x	1
79	2B	EA-1446	Holder—Bellows	x	x	x	x	x	x	x	x	x	x	x	x	x	x	x	x	x	x	x	1
79	2C	EA-1233	Pin	x	x	x	x	x	x	x	x	x	x	x	x	x	x	x	x	x	x	x	1
79	2D	EA-1274	Pin—Locating	x	x	x	x	x	x	x	x	x	x	x	x	x	x	x	x	x	x	x	1
79	3	EA-1236	Stud—Bearing	x	x	x	x	x	x	x	x	x	x	x	x	x	x	x	x	x	x	x	1
79	4	EA-6503	Link Assembly	x	x	x	x	x	x	x	x	x	x	x	x	x	x	x	x	x	x	x	1
79	4A	EA-1235	Link	x	x	x	x	x	x	x	x	x	x	x	x	x	x	x	x	x	x	x	1
79	4B	EA-1237	Screw	x	x	x	x	x	x	x	x	x	x	x	x	x	x	x	x	x	x	x	1
79	4C	EA-1238	Washer	x	x	x	x	x	x	x	x	x	x	x	x	x	x	x	x	x	x	x	1
79	4D	EA-1239	Nut	x	x	x	x	x	x	x	x	x	x	x	x	x	x	x	x	x	x	x	1
70	8	EA-1511-53-1	Housing	x	x	x													x	x	x	x	1
70	8	EA-1511-53-5	Housing																				1
70	8	EA-1511-53-7	Housing																				1
70	9	EA-4546-1	Gasket	x	x	x													x	x	x	x	1
70	46	EA-4525	Gasket	x	x	x													x	x	x	x	1
70	10	EA-4542	Block—Mounting	x	x	x													x	x	x	x	1
70	10	EA-1546	Block—Mounting																x	x	x	x	1
70	10	EA-1584	Block—Mounting																				1
70	11	AND10066-14S-1P	Receptacle	x	x	x													x	x	x	x	1
70	11	E-1003-3-20	Receptacle																				1
70	11	WK-4-32S	Receptacle																				1
70	12	AN935B4	Washer—Lock	x	x	x	x	x	x	x	x	x	x	x	x	x	x	x	x	x	x	x	4
70	13	AN500B4-5	Screw, fil hd 4 40 x 5/16 in.	x	x	x	x	x	x	x	x	x	x	x	x	x	x	x	x	x	x	x	4
70	14	AN505B5-8	Screw, FH 5 40 x 1/2 in.	x	x	x													x	x	x	x	2
70	15	EA-1242	Nut	x	x	x	x	x	x	x	x	x	x	x	x	x	x	x	x	x	x	x	1
70	16	AN430-2-4	Rivet	x	x	x	x	x	x	x	x	x	x	x	x	x	x	x	x	x	x	x	1

Section II
Group Assembly Parts List

EO 20-85BA-4

Fig. No.	Index No.	Part No.	Nomenclature								Units Per Assy		
				1	2	3	4	5	6	7			
70	47	EA-6558	Plug—Float arm										1
70	33	AN380B2-2	Pin—Cotter	x	x	x	x	x	x	x	x	x	1
70	34	EA-1255A	Fork—Float with bushing	x	x	x		x					1
70	34	EA-1255-103A	Fork—Float with bushing						x				1
70	34	EA-1255-116A	Fork—Float with bushing				x						1
78	12	EA-1255	Fork—Float	x	x	x		x		x			1
78	12	EA-1255-103	Fork—Float						x				1
78	12	EA-1255-116	Fork—Float				x						1
78	14	EA-1254	Bushing	x	x	x	x	x	x		x	x	1
70	35	EA-1257	Washer	x	x	x	x	x	x		x	x	2
70	36	EA-1294	Float Assembly	x	x	x	x	x	x		x	x	1
78	1	EA-1270	Float	x	x	x	x			x	x		1
78	2	EA-1280	Bearing	x	x	x	x			x	x		1
78	3	EA-1268	Bushing	x	x	x	x			x	x		2
78	4	EA-1269-1	Weight	x	x	x	x			x	x		1
70	37	EA-1256	Float Assembly					x					1
78	5	EA-1625	Shell—Float					x					1
78	6	EA-1626	End—Float					x					2
78	7	EA-1280	Bearing					x					1
78	8	EA-1080	Weight					x					1
70	38	EA-1291M	Float Assembly							x	x		1
78	9	EA-1291-1	Shell							x	x		1
78	10	EA-1291-2	Shell							x	x		1
78	11	EA-1292	Bushing Assembly—Float							x	x		1
78	11A	EA-1240	Sleeve—Bushing							x	x		1
78	11B	EA-1241	Pin—Bushing							x	x		1
78	11C	EA-1281	Rivet							x	x		1
70	39	EA-8526	Fulcrum	x	x	x	x	x	x	x	x	x	1
70	40	EA-1245	Pin—Operating rod link	x	x	x	x	x	x	x	x	x	1
70	41	AN960B8	Washer	x	x	x	x	x	x	x	x	x	1
70	42	Comm	Pin—Locking (copper) No. 18 B & S ga x 3/8 in. lg (EA-1229)	x	x	x	x	x	x	x	x	x	1
70	43	Comm	Rivet—Stimpson No. H-149 brass (EA-8530)	x	x	x	x	x	x	x	x	x	2
70	44	8229	Rivet	x	x	x	x	x	x	x	x	x	1
70	45	EA-1278	Plate—Name	x	x	x	x	x	x	x	x	x	1
70	16	AN430-2-4	Rivet	x	x	x	x	x	x	x	x	x	2
70	48	8262	Gasket	x	x	x	x	x	x	x	x	x	1

RESCINDED

EO 20-85BA-4

Section II
Group Assembly Parts List

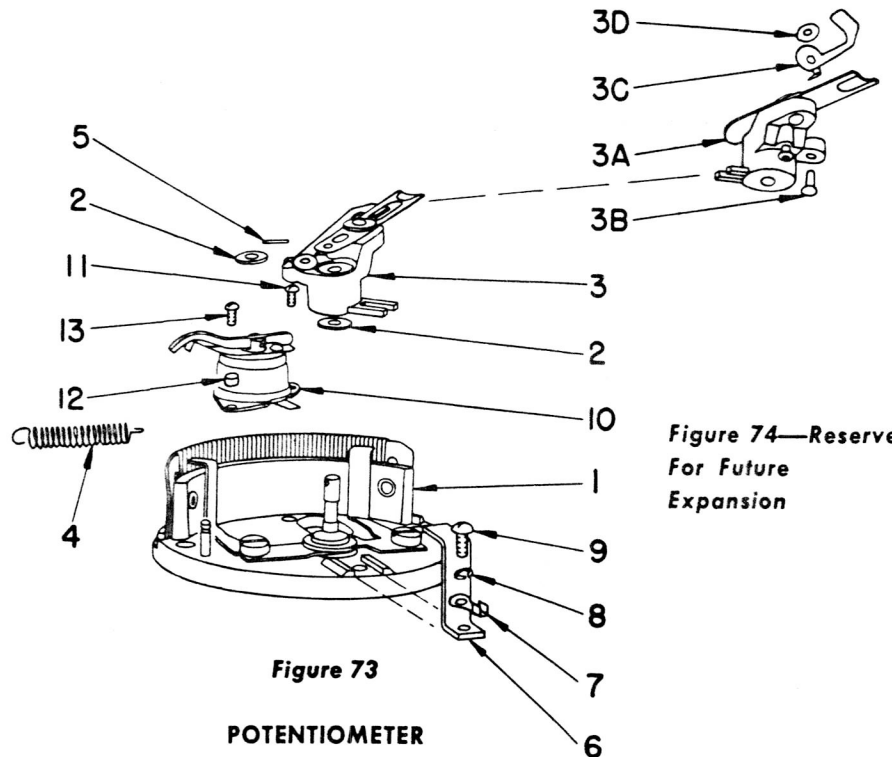
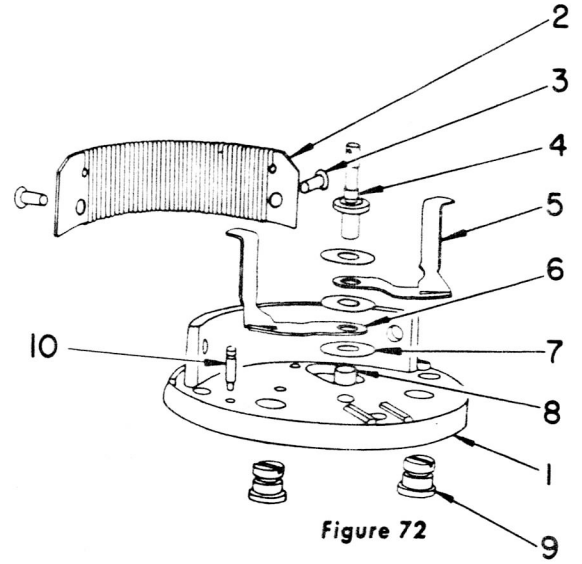
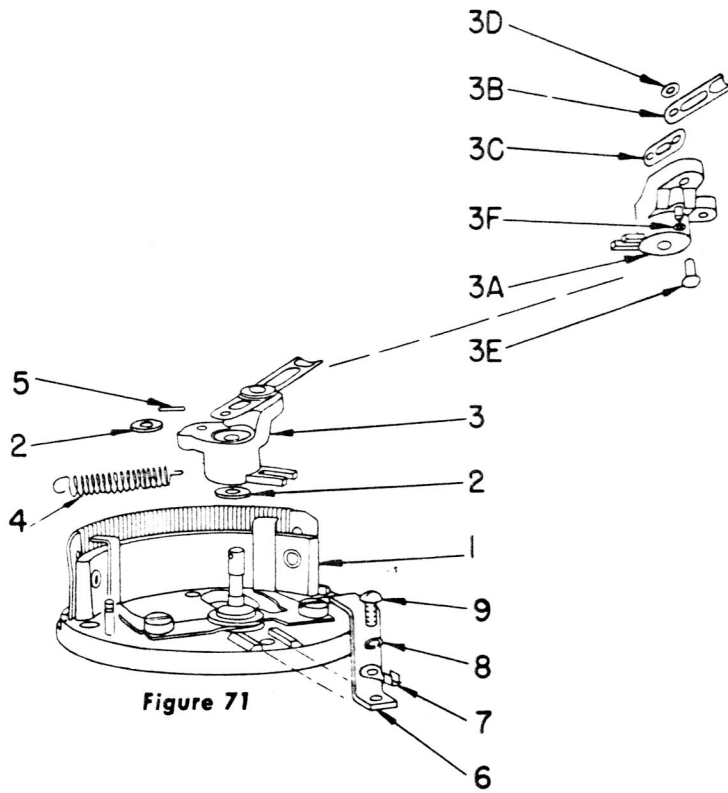


Figure 74—Reserved
For Future
Expansion

POTENTIOMETER

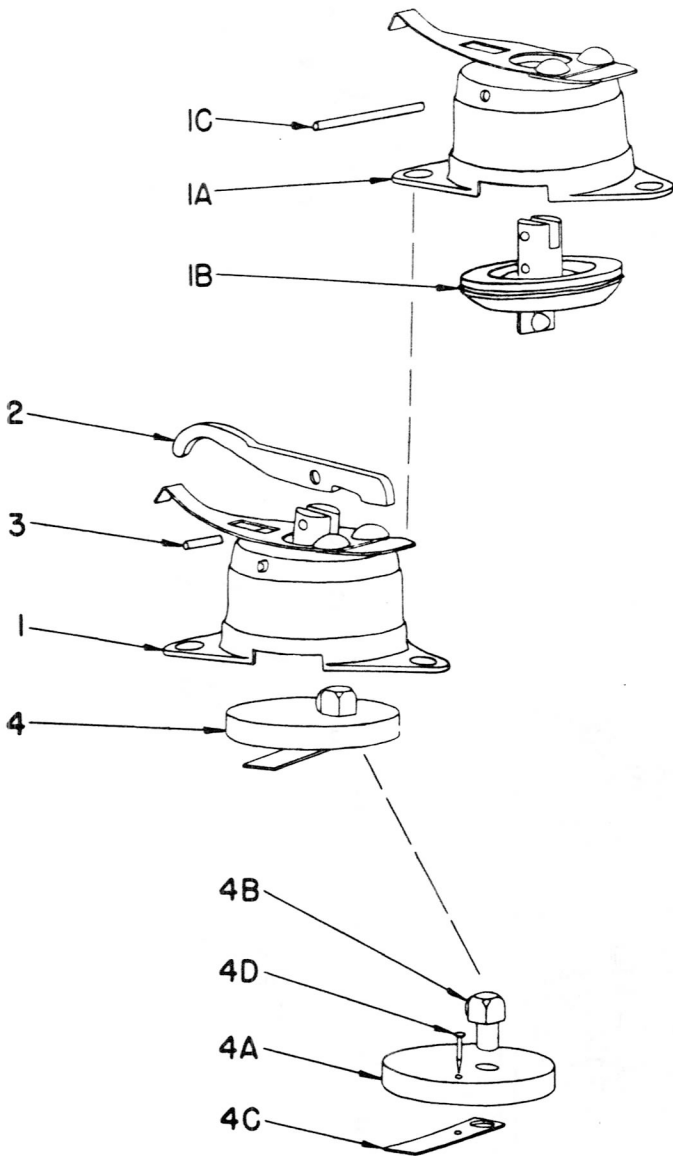
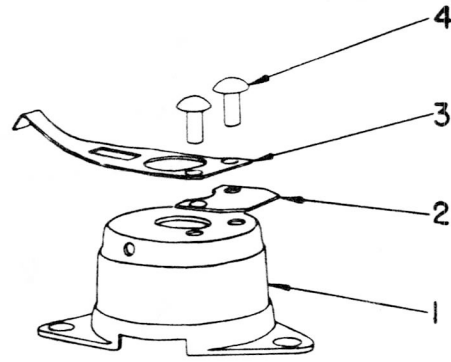


Figure 75

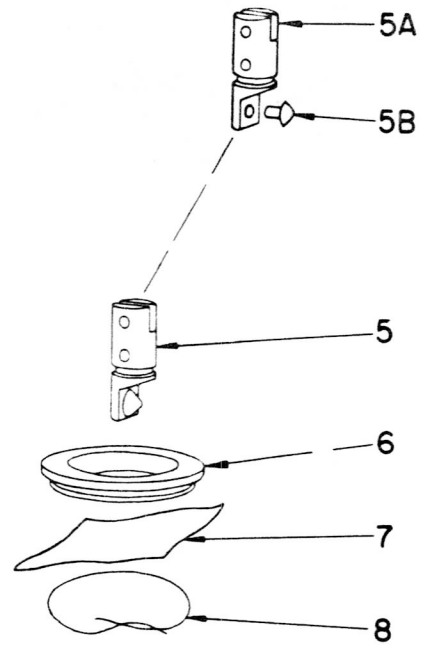


Figure 76

WARNING SWITCH

RESCINDED

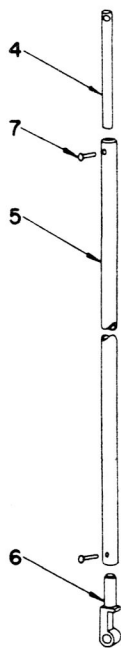
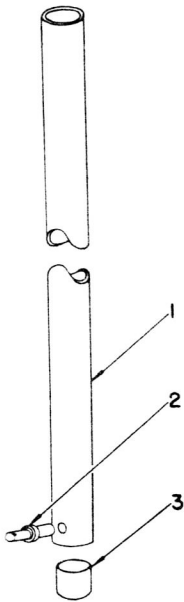


Figure 77

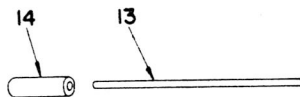
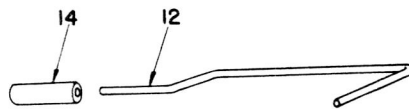
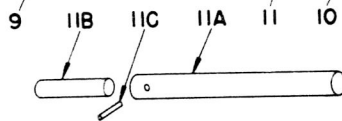
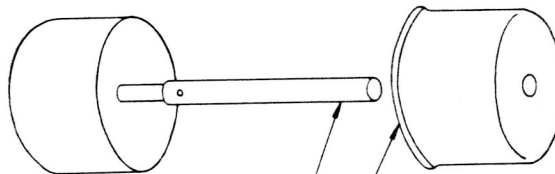
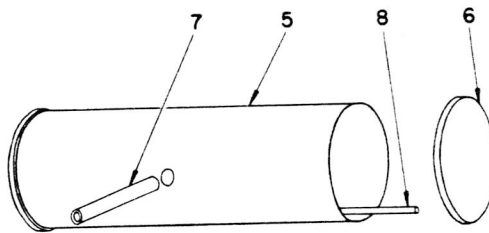
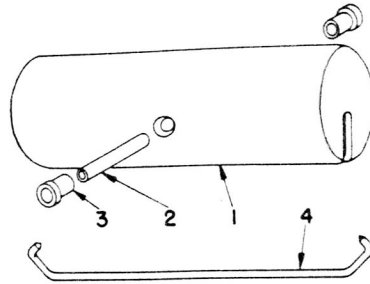


Figure 78

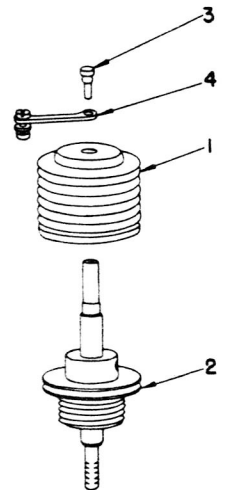
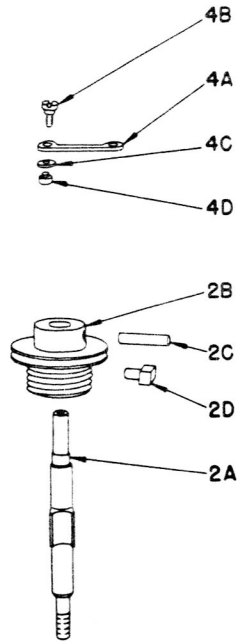


Figure 79

Section II
Group Assembly Parts List

EO 20-85BA-4

Fig. No.	Index No.	Part No.	Nomenclature							EA-15-14	EA-15-15	EA-15-16	Units Per Assy
			1	2	3	4	5	6	7				
			Tank Unit Assembly										
80	1	EA-16133							x	x	x	1	
80	2	EA-16141							x	x	x	2	
80	3	EA-16142							x	x	x	2	
80	4	EA-16132							x	x	x	2	
80	5	EA-17638							x	x	x	1	
80	6	EA-1502-1							x	x	x	1	
71	1	EA-1504-1							x	x	x	1	
72	1	EA-1512							x	x	x	1	
72	2	EA-1521							x	x	x	1	
72	3	Comm							x	x	x	2	
72	4	EA-1516							x	x	x	1	
72	5	EA-1524							x	x	x	1	
72	6	EA-1527							x	x	x	1	
72	7	EA-1522							x	x	x	3	
72	8	EA-1523							x	x	x	1	
72	9	EA-1526							x	x	x	2	
72	10	EA-1576							x	x	x	1	
71	2	EA-1257							x	x	x	2	
71	3	EA-1505							x	x	x	1	
71	3A	EA-1514							x	x	x	1	
71	3B	EA-1658							x	x	x	1	
71	3C	EA-1631							x	x	x	1	
71	3D	EA-1550							x	x	x	1	
71	3E	Comm							x	x	x	1	
71	3F	EA-1582							x	x	x	1	
71	4	EA-1575							x	x	x	1	
71	5	Comm							x	x	x	1	
71	6	EA-1520							x	x	x	1	
71	7	660-51							x	x	x	1	
71	8	AN935B6							x	x	x	1	
71	9	AN520B6-4							x	x	x	1	
80	7	EA-1583							x	x	x	1	
80	8	EA-1203							x	x	x	1	
79	1	EA-1445							x	x	x	1	
79	2	EA-6507							x	x	x	1	
79	2A	EA-1232							x	x	x	1	
79	2B	EA-1446							x	x	x	1	
79	2C	EA-1233							x	x	x	1	
79	2D	EA-1274							x	x	x	1	
79	3	EA-1236							x	x	x	1	
79	4	EA-6503							x	x	x	1	
79	4A	EA-1235							x	x	x	1	
79	4B	EA-1237							x	x	x	1	
79	4C	EA-1238							x	x	x	1	
79	4D	EA-1239							x	x	x	1	
80	9	EA-1511-513-1							x	x	x	1	
80	10	EA-4546-1							x	x	x	1	
80	11	EA-4544							x	x	x	1	
80	43	EA-4525							x	x	x	1	
80	12	AND10066-14S-1P							x	x	x	1	
80	13	AN935B6							x	x	x	4	
80	14	AN500B4-5							x	x	x	4	
80	15	AN505B5-8							x	x	x	2	
80	16	EA-1242							x	x	x	1	
80	17	AN430-2-4							x	x	x	1	
80	18	EA-1246							x	x	x	1	
80	19	AN960B10							x	x	x	1	
80	20	AN345B10							x	x	x	1	
80	21	EA-1205-162							x			1	
80	21	EA-1205-161								x		1	
80	21	EA-1205-163									x	1	
77	1	EA-1259-162							x			1	
77	1	EA-1259-161								x		1	
77	1	EA-1259-163									x	1	
77	2	EA-1260							x	x	x	1	
77	3	EA-1591B							x	x	x	1	

RESCINDED

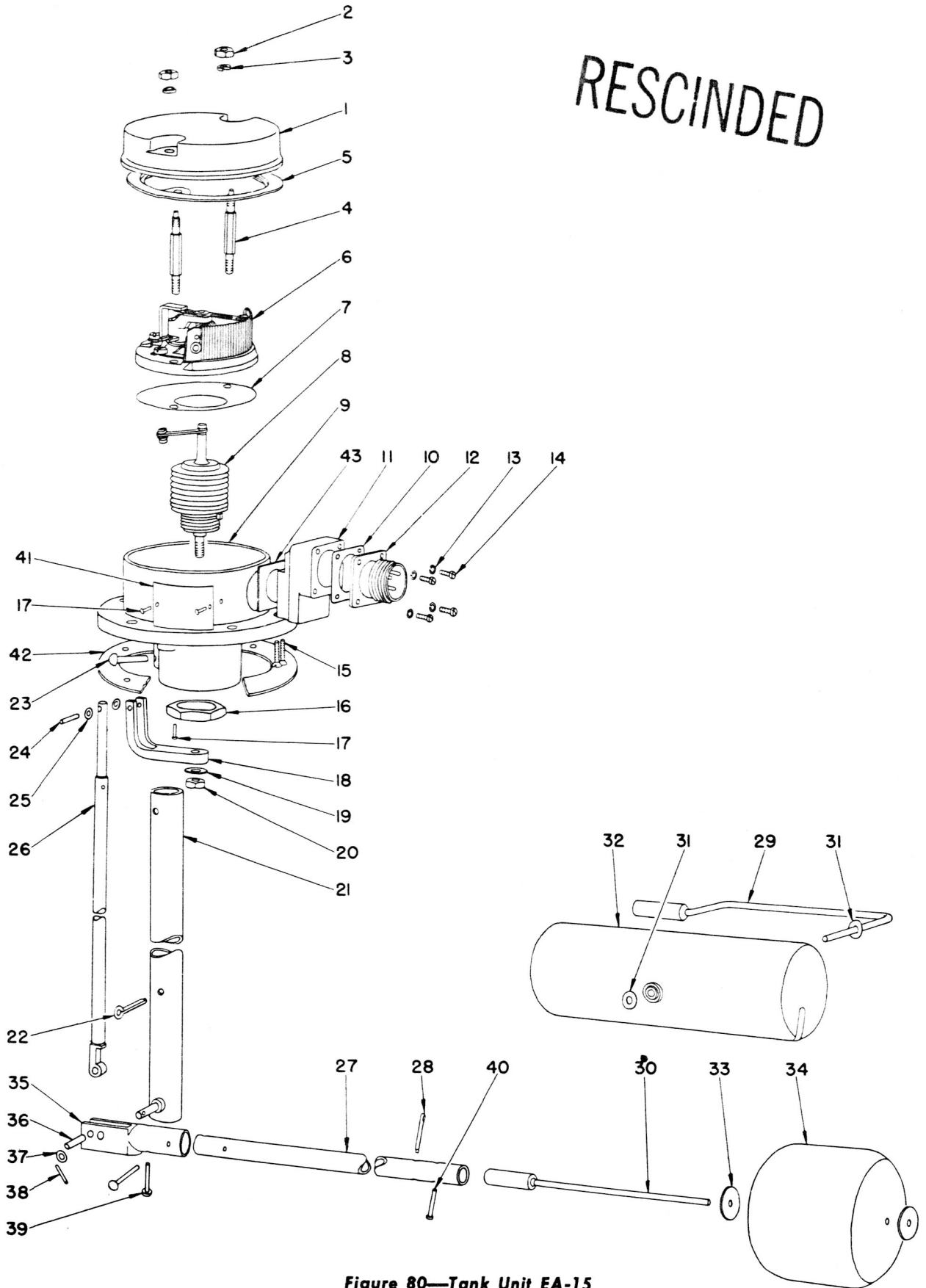


Figure 80—Tank Unit EA-15

Section II
Group Assembly Parts List

EO 20-85BA-4

Fig. No.	Index No.	Part No.	Nomenclature								Units Per Assy					
				1	2	3	4	5	6	7						
80	22	8322	Pin—Cotter										x	x	x	1
80	23	AN430-4-18	Rivet										x	x	x	1
80	24	EA-1258	Pin—Operating										x	x	x	1
80	25	8227	Washer										x	x	x	2
80	26	EA-9901-55	Rod Assembly—Operating										x			1
80	26	EA-9901-54	Rod Assembly—Operating											x		1
80	26	EA-9901-56	Rod Assembly—Operating												x	1
77	4	EA-1247	Extension—Operating rod										x	x	x	1
77	5	EA-1253-155	Rod—Operating										x			1
77	5	EA-1253-154	Rod—Operating											x		1
77	5	EA-1253-156	Rod—Operating												x	1
77	6	EA-8550	Link—Operating rod										x	x	x	1
77	7	AN430D2-6	Rivet										x	x	x	2
80	27	EA-1252-277	Arm—Float										x			1
80	27	EA-1252-274	Arm—Float											x		1
80	27	EA-1252-278	Arm—Float												x	1
80	28	AN380B2-2	Pin—Cotter										x	x	x	1
80	29	EA-1255-102A	Fork—Float with bushing											x		1
80	30	EA-1255-119-1A	Fork—Float with bushing										x		x	1
78	12	EA-1255-102	Fork—Float											x		1
78	13	EA-1255-119-1	Fork—Float										x		x	1
78	14	EA-1254	Bushing										x	x	x	1
80	31	EA-1257	Washer											x		2
80	32	EA-1294	Float Assembly											x		1
78	1	EA-1270	Float											x		1
78	2	EA-1280	Bearing											x		1
78	3	EA-1268	Bushing											x		2
78	4	EA-1269-1	Weight											x		1
80	33	EA-1257-1	Washer										x		x	2
80	34	EA-1536	Float										x		x	1
80	35	EA-8526	Fulcrum										x	x	x	1
80	36	EA-1245	Pin—Operating rod link										x	x	x	1
80	37	AN960B8	Washer										x	x	x	1
80	38	Comm	Pin—Locking (copper) No. 18 B & S ga x 3/8 in. lg (EA-1229)										x	x	x	1
80	39	Comm	Rivet, Stimpson No. H-149 brass (EA-8530)										x	x	x	2
80	40	8229	Rivet										x	x	x	1
80	41	EA-1278	Plate—Name										x	x	x	1
80	17	AN430-2-4	Rivet										x	x	x	2
80	42	8262	Gasket										x	x	x	1

Section II
Group Assembly Parts List

EO 20-85BA-4

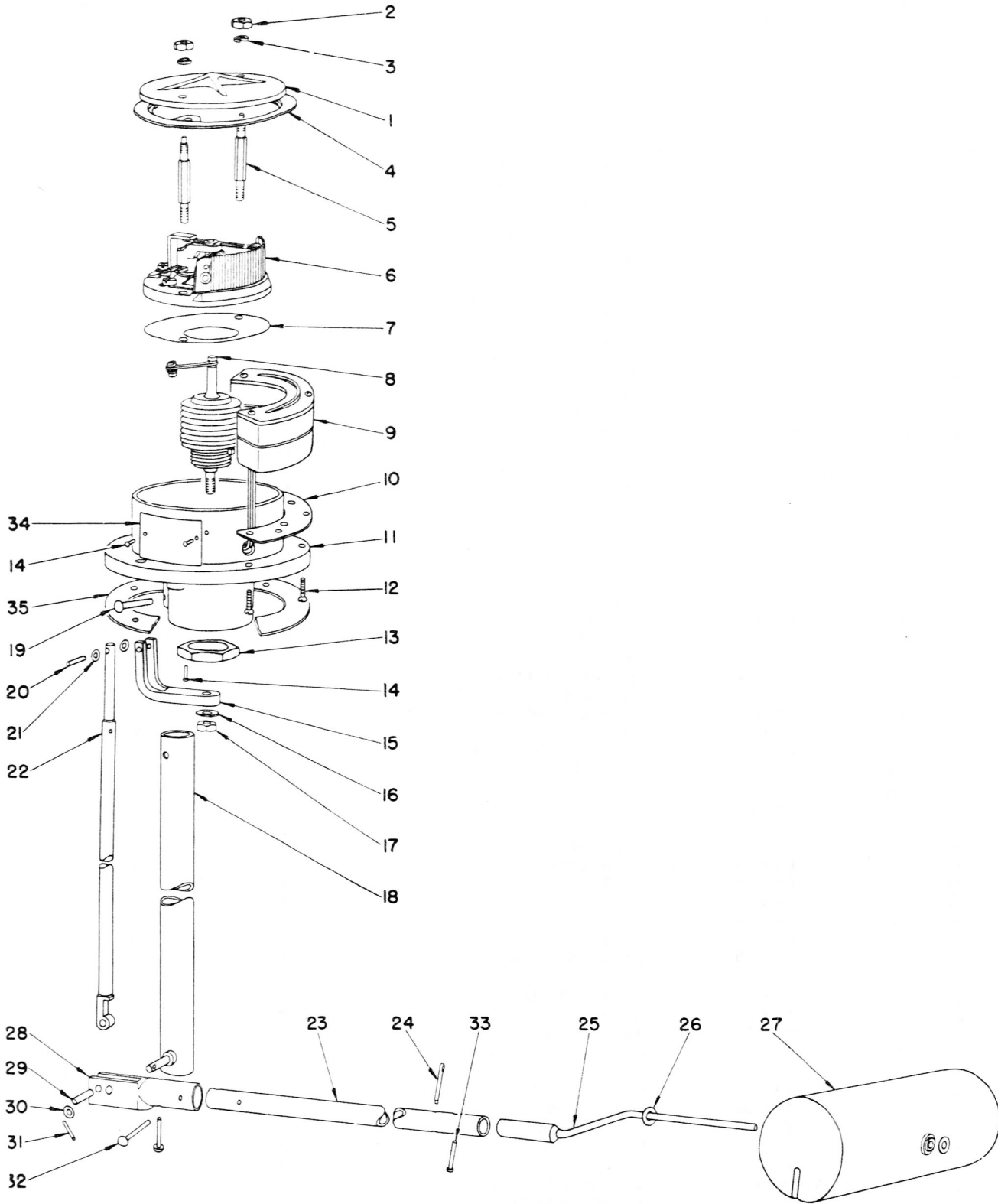
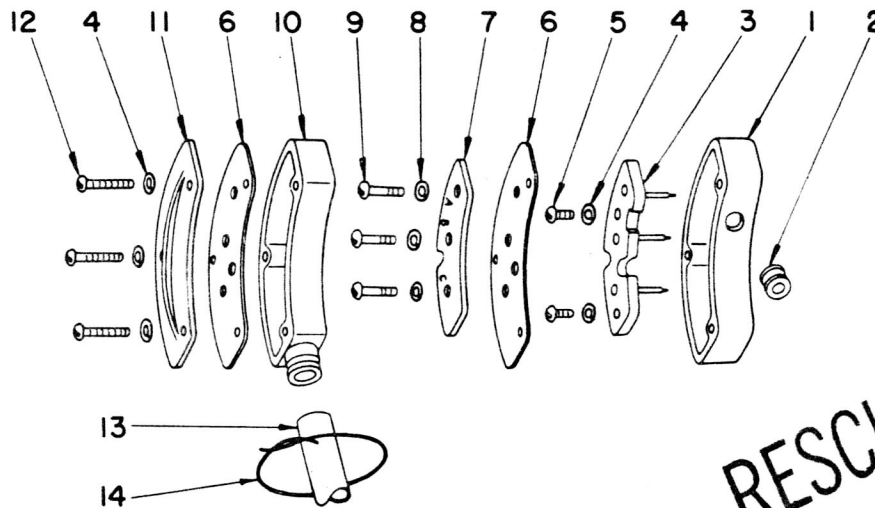


Figure 81—Tank Unit EA-15 With Connection Box

Fig. No.	Index No.	Part No.	Nomenclature	Units	
				E.A.15-88-64820A	E.A.15-88-64821A
81	14	AN430-2-4	Rivet	x	x
81	15	EA-1246	Arm	x	x
81	16	AN960B10	Washer	x	x
81	17	AN345B10	Nut, hex	x	x
81	18	EA-1205-188	Pipe Assembly—Fulcrum	x	
81	18	EA-1205-189	Pipe Assembly—Fulcrum		x
77	1	EA-1259-188	Pipe—Fulcrum	x	
77	1	EA-1259-189	Pipe—Fulcrum		x
77	2	EA-1260	Stud—Fulcrum	x	x
77	3	EA-1591B	Plug—Fulcrum	x	x
81	19	AN430-4-18	Rivet	x	x
81	20	EA-1258	Pin—Operating	x	x
81	21	8227	Washer	x	x
81	22	EA-9901-78	Rod Assembly—Operating	x	
81	22	EA-9901-79	Rod Assembly—Operating		x
77	4	EA-1247	Extension—Operating rod	x	x
77	5	EA-1253-178	Rod—Operating	x	
77	5	EA-1253-179	Rod—Operating		x
77	6	EA-8550	Link—Operating rod	x	x
77	7	AN430D2-6	Rivet	x	x
81	23	EA-1252-316	Arm—Float	x	x
81	24	AN380B2-2	Pin—Cotter	x	x
81	25	EA-1255-2A	Fork—Float with bushing	x	x
78	12	EA-1255-2	Fork—Float	x	x
78	14	EA-1254	Bushing	x	x
81	26	EA-1257	Washer	x	x
81	27	EA-1294	Float Assembly	x	x
78	1	EA-1270	Float	x	x
78	2	EA-1280	Bearing	x	x
78	3	EA-1268	Bushing	x	x
78	4	EA-1269-1	Weight	x	x
81	28	EA-8526	Fulcrum	x	x
81	29	EA-1245	Pin—Operating rod link	x	x
81	30	AN960B8	Washer	x	x
81	31	Comm	Pin—Locking (copper) No. 18 B & S ga x 3/8 in. lg (EA-1229)	x	x
81	32	EA-8530	Rivet	x	x
81	33	8229	Rivet	x	x
81	34	EA-1278	Plate—Name	x	x
81	14	AN430-2-4	Rivet	x	x
81	35	8262	Gasket	x	x



RESCINDED

Figure 82—Connection Box

Section II
Group Assembly Parts List

EO 20-85BA-4

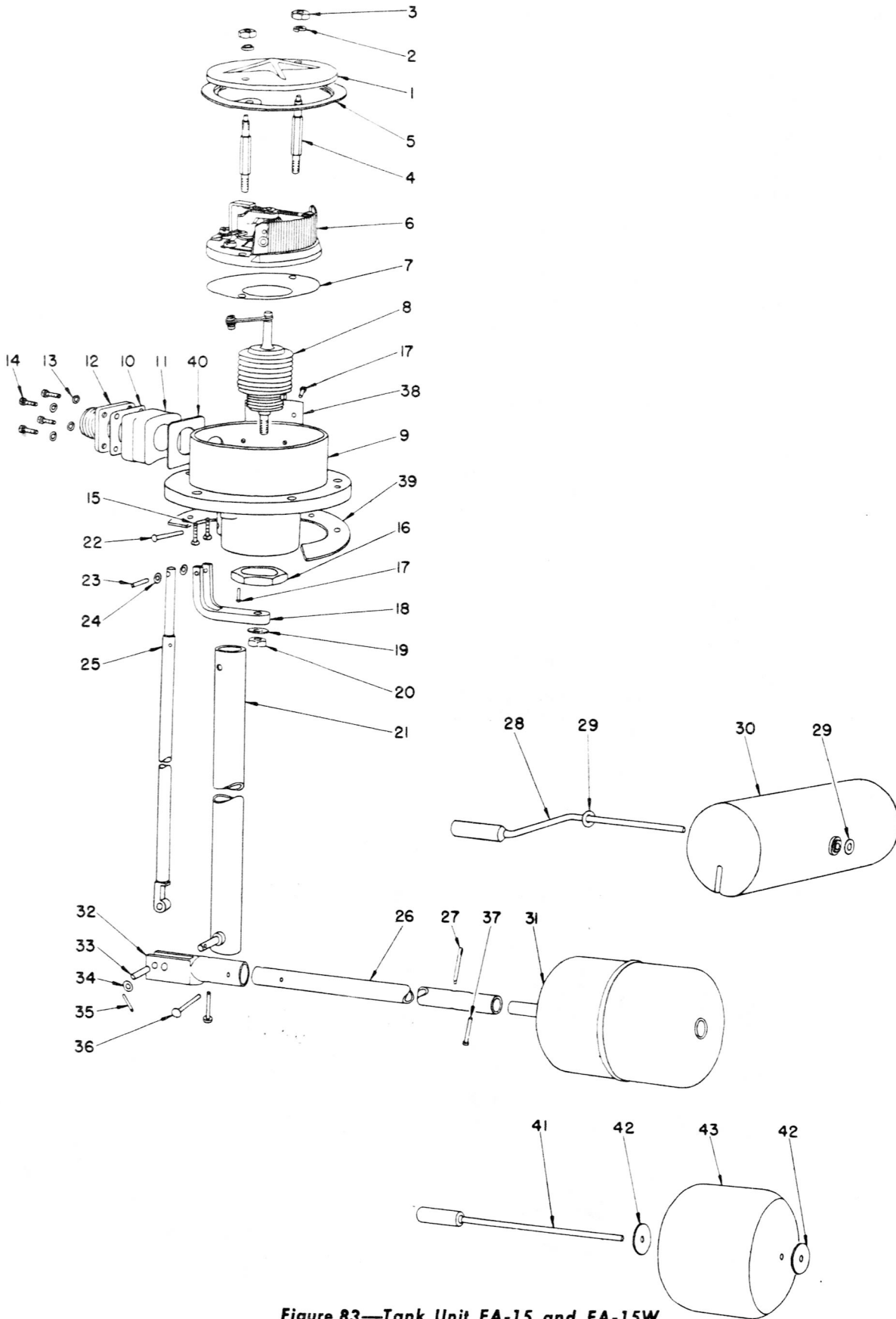


Figure 83—Tank Unit EA-15 and EA-15W

Fig. No.	Index No.	Part No.	Nomenclature								Units Per Assy		
				1	2	3	4	5	6	7			
			Tank Unit Assembly										
83	1	EA-1525	Cover	x	x	x	x	x	x	x	x	x	1
83	3	AN340B8	Nut		x	x	x	x	x	x	x	x	2
83	3	EA-16141	Nut	x									2
83	2	AN935B8	Washer—Lock		x	x	x	x	x	x	x	x	2
83	2	EA-16142	Washer	x									2
83	4	EA-1542	Stud	x		x	x	x	x	x	x	x	2
83	5	EA-17638	Gasket	x									1
83	6	EA-1502-1	Potentiometer Assembly	x	x	x	x	x	x	x	x	x	1
71	1	EA-1504-1	Base Assembly—Potentiometer	x	x	x	x	x	x	x	x	x	1
72	1	EA-1512	Base	x	x	x	x	x	x	x	x	x	1
72	2	EA-1521	Resistor	x	x	x	x	x	x	x	x	x	1
72	3	Comm	Eyelet, Stimpson Co. Part No. A-1177 (EA-1548)	x	x	x	x	x	x	x	x	x	2
72	4	EA-1516	Shaft	x	x	x	x	x	x	x	x	x	1
72	5	EA-1524	Lever—Adjustment R —	x	x	x	x	x	x	x	x	x	1
72	6	EA-1527	Lever—Adjustment R +	x	x	x	x	x	x	x	x	x	1
72	7	EA-1522	Washer	x	x	x	x	x	x	x	x	x	3
72	8	EA-1523	Bushing	x	x	x	x	x	x	x	x	x	1
72	9	EA-1526	Eccentric—Adjustment	x	x	x	x	x	x	x	x	x	2
72	10	EA-1576	Stud	x	x	x	x	x	x	x	x	x	2
71	2	EA-1257	Washer	x	x	x	x	x	x	x	x	x	2
71	3	EA-1505	Arm Assembly—Contact	x	x	x	x	x	x	x	x	x	1
71	3A	EA-1514	Arm—Contact	x	x	x	x	x	x	x	x	x	1
71	3B	EA-1658	Shoe—Contact arm	x	x	x	x	x	x	x	x	x	1
71	3C	EA-1631	Blade—Contact arm	x	x	x	x	x	x	x	x	x	1
71	3D	EA-1550	Washer—Spring	x	x	x	x	x	x	x	x	x	1
71	3E	Comm	Eyelet, Waterbury Co. Part No. 9966 (EA-1518)	x	x	x	x	x	x	x	x	x	1
71	3F	EA-1582	Washer	x	x	x	x	x	x	x	x	x	1
71	4	EA-1575	Spring	x	x	x	x	x	x	x	x	x	1
71	5	Comm	Pin—Locking (copper) No. 18 B & S ga x 3/8 in. lg (EA-1229)	x	x	x	x	x	x	x	x	x	1
71	6	EA-1520	Contact—Contact arm	x	x	x	x	x	x	x	x	x	1
71	7	660-51	Lug—Solder	x	x	x	x	x	x	x	x	x	1
71	8	AN935B6	Washer—Lock	x	x	x	x	x	x	x	x	x	1
71	9	AN520B6-4	Screw, RH 6-40 x 1/4 in.	x	x	x	x	x	x	x	x	x	1
83	6	EA-1502S-1	Potentiometer Assembly										1
73	1	EA-1504-1	Base Assembly—Potentiometer										1
72	1	EA-1512	Base										1
72	2	EA-1521	Resistor										1
72	3	Comm	Eyelet, Stimpson Co. Part No. A-1177 (EA-1548)										2
72	4	EA-1516	Shaft										1
72	5	EA-1524	Lever—Adjustment R —										1
72	6	EA-1527	Lever—Adjustment R +										1
72	7	EA-1522	Washer										3
72	8	EA-1523	Bushing										1
72	9	EA-1526	Eccentric—Adjustment										2
72	10	EA-1576	Stud										1
73	2	EA-1257	Washer										2
73	3	EA-1505S	Arm—Contact and Switch Arm Assembly										1
73	3A	EA-1505	Arm Assembly—Contact										1
71	3A	EA-1514	Arm—Contact										1
71	3B	EA-1658	Shoe—Contact arm										1
71	3C	EA-1631	Blade—Contact arm										1
71	3D	EA-1550	Washer—Spring										1
71	3E	Comm	Eyelet, Waterbury Co. Part No. 9966 (EA-1518)										1
71	3F	EA-1582	Washer										1
73	3B	Comm	Eyelet, Waterbury Co. Part No. 9966 (EA-1518)										1

RESCINDED

Section II
Group Assembly Parts List

EO 20-85BA-4

Fig. No.	Index No.	Part No.	Nomenclature	EA-15-120088	EA-15-4310270	EA-15-4310270-1	EA-15-4310272-1	EA-15-P-5047	EA-15-P-5048	EA-15W-24-685-002-2	EA-15W-4162778	Units Per Assy
			1 2 3 4 5 6 7									
73	3C	EA-1559	Arm—Switch contact									
73	3D	EA-1550	Washer—Spring							x	x	1
73	4	EA-1575	Spring							x	x	1
73	5	Comm	Pin—Locking (copper) No. 18 B & S ga x 3/8 in. lg (EA-1229)							x	x	1
73	6	EA-1520	Contactor—Contact arm									
73	7	660-51	Lug—Solder							x	x	1
73	8	AN935B6	Washer—Lock							x	x	1
73	9	AN520B6-4	Screw, RH 6-40 x 1/4 in.							x	x	1
73	10	EA-1508	†Switch Assembly—Warning							x	x	1
75	1	EA-6511	Housing and Stem Assembly							x	x	1
75	1A	EA-1645	Housing Assembly							x	x	1
76	1	EA-1641	Housing—Warning switch							x	x	1
76	2	EA-1598	Plate—Stop							x	x	1
76	3	EA-1556	Spring—Arm return							x	x	1
76	4	AN430B2-3	Rivet, cut to 1/8 in. lg (EA-1529)							x	x	2
75	1B	EA-1510	Stem Assembly							x	x	1
76	5	EA-6510	Stem with contact point							x	x	1
76	5A	EA-1554	Stem							x	x	1
76	5B	EA-1567-1	Contact							x	x	1
76	6	EA-1557	Retainer—Diaphragm							x	x	1
76	7	EA-1566	Diaphragm							x	x	1
76	8	Comm	Cord—Waxed, dental floss Johnson & Johnson (EA-7920)							x	x	1
75	1C	EA-1656	Shaft—Stem									
75	2	EA-1555	Arm—Contact							x	x	1
75	3	EA-1569	Pin—Contact arm							x	x	1
75	4	EA-1646	Cover Assembly							x	x	1
75	4A	EA-1643	Cover							x	x	1
75	4B	EA-1647-1	Contact							x	x	1
75	4C	EA-1655	Strip—Connection							x	x	1
75	4D	Comm	Pin—Bank No. 5 (EA-3924)							x	x	1
73	11	AN515B3-4	Screw, RH 3 48 x 1/4 in.							x	x	1
73	12	EA-1657	Spacer							x	x	1
73	13	AN515B3-5	Screw, RH 3 48 x 5/16 in.							x	x	1
83	7	EA-1583	Pad—Insulating							x	x	1
83	8	EA-1203	†Seal Assembly—Bellows	x	x	x	x	x	x	x	x	1
79	1	EA-1445	Bellows	x	x	x	x	x	x	x	x	1
79	2	EA-6507	Holder Assembly—Bellows	x	x	x	x	x	x	x	x	1
79	2A	EA-1232	Lever—Bellows	x	x	x	x	x	x	x	x	1
79	2B	EA-1446	Holder—Bellows	x	x	x	x	x	x	x	x	1
79	2C	EA-1233	Pin	x	x	x	x	x	x	x	x	1
79	2D	EA-1274	Pin—Locating	x	x	x	x	x	x	x	x	1
79	3	EA-1236	Stud—Bearing	x	x	x	x	x	x	x	x	1
79	4	EA-6503	Link Assembly	x	x	x	x	x	x	x	x	1
79	4A	EA-1235	Link	x	x	x	x	x	x	x	x	1
79	4B	EA-1237	Screw	x	x	x	x	x	x	x	x	1
79	4C	EA-1238	Washer	x	x	x	x	x	x	x	x	1
79	4D	EA-1239	Nut	x	x	x	x	x	x	x	x	1
83	9	EA-1511-51-1	Housing									
83	9	EA-1511-52-1	Housing									
83	10	EA-4546-1	Gasket	x		x	x	x	x	x	x	1
83	10	EA-4546-2	Gasket		x	x	x			x	x	1
83	40	EA-4525	Gasket					x	x			1
83	11	EA-4542	Block—Mounting	x		x	x	x	x	x	x	1
83	11	EA-4543	Block—Mounting		x	x	x			x	x	1
83	12	AND10066-12S-3P	Receptacle	x				x	x			1
83	12	AND10066-14S-1P	Receptacle	x				x	x			1
83	13	AN935B4	Washer—Lock		x	x	x			x	x	1
83	14	AN500B4-5	Screw, fil hd 4 40 x 5/16 in.	x	x	x	x	x	x	x	x	4
83	15	AN505B5-8	Screw, FH 5 40 x 1/2 in.	x	x	x	x	x	x	x	x	4
83	16	EA-1242	Nut	x	x	x	x	x	x	x	x	2

RESCINDED

Fig. No.	Index No.	Part No.	Nomenclature								Units Per Assy	
				1	2	3	4	5	6	7		
83	17	AN430-2-4	Rivet	x	x	x	x	x	x	x	x	1
83	18	EA-1246	Arm	x	x	x	x	x	x	x	x	1
83	19	AN960B10	Washer	x	x	x	x	x	x	x	x	1
83	20	AN345B10	Nut, hex	x	x	x	x	x	x	x	x	1
83	21	EA-1205-111	Pipe Assembly—Fulcrum						x	x		1
83	21	EA-1205-117	Pipe Assembly—Fulcrum								x	1
83	21	EA-1205-170	Pipe Assembly—Fulcrum	x								1
83	21	EA-1205-191	Pipe Assembly—Fulcrum					x				1
83	21	EA-1205-192	Pipe Assembly—Fulcrum			x	x					1
83	21	EA-1205-198	Pipe Assembly—Fulcrum							x		1
77	1	EA-1259-111	Pipe—Fulcrum						x	x		1
77	1	EA-1259-117	Pipe—Fulcrum								x	1
77	1	EA-1259-170	Pipe—Fulcrum	x								1
77	1	EA-1259-191	Pipe—Fulcrum					x				1
77	1	EA-1259-192	Pipe—Fulcrum			x	x					1
77	1	EA-1259-198	Pipe—Fulcrum							x		1
77	2	EA-1260	Stud—Fulcrum	x	x	x	x	x	x	x	x	1
77	3	EA-1591B	Plug—Fulcrum	x	x	x	x	x	x	x	x	1
83	22	AN430-4-18	Rivet	x	x	x	x	x	x	x	x	1
83	23	EA-1258	Pin—Operating	x	x	x	x	x	x	x	x	1
83	24	8227	Washer	x	x	x	x	x	x	x	x	2
83	25	EA-9901-10	Rod Assembly—Operating						x	x		1
83	25	EA-9901-15	Rod Assembly—Operating								x	1
83	25	EA-9901-22	Rod Assembly—Operating	x								1
83	25	EA-9901-81	Rod Assembly—Operating					x				1
83	25	EA-9901-82	Rod Assembly—Operating			x	x					1
83	25	EA-9901-88	Rod Assembly—Operating							x		1
77	4	EA-1247	Extension—Operating rod	x	x	x	x	x	x	x	x	1
77	5	EA-1253-110	Rod—Operating						x	x		1
77	5	EA-1253-115	Rod—Operating								x	1
77	5	EA-1253-122	Rod—Operating	x								1
77	5	EA-1253-181	Rod—Operating					x				1
77	5	EA-1253-182	Rod—Operating			x	x					1
77	5	EA-1253-188	Rod—Operating							x		1
77	6	EA-8550	Link—Operating rod	x	x	x	x	x	x	x	x	1
77	7	AN430D2-6	Rivet	x	x	x	x	x	x	x	x	2
83	26	EA-1252-201	Arm—Float							x		1
83	26	EA-1252-218	Arm—Float			x	x				x	1
83	26	EA-1252-290	Arm—Float	x								1
83	26	EA-1252-318	Arm—Float					x				1
83	26	EA-1252-319	Arm—Float						x			1
83	26	EA-1252-320	Arm—Float					x				1
83	27	AN380B2-2	Pin—Cotter	x	x	x	x	x	x	x	x	1
83	28	EA-1255-2A	Fork—Float with bushing					x	x			1
83	28	EA-1255-105A	Fork—Float with bushing	x								1
83	28	EA-1255-107A	Fork—Float with bushing							x		1
83	41	EA-1255-119-1A	Fork—Float with bushing								x	1
78	12	EA-1255-2	Fork—Float					x	x			1
78	12	EA-1255-105	Fork—Float	x								1
78	12	EA-1255-107	Fork—Float							x		1
78	13	EA-1255-119-1	Fork—Float								x	1
78	14	EA-1254	Bushing						x	x		1
83	29	EA-1257	Washer	x					x	x	x	2
83	30	EA-1294	Float Assembly	x					x	x	x	1
78	1	EA-1270	Float	x					x	x	x	1
78	2	EA-1280	Bearing	x					x	x	x	1
78	3	EA-1268	Bushing	x					x	x	x	2
78	4	EA-1269-1	Weight	x					x	x	x	1
83	31	EA-1291M	Float Assembly			x	x	x				1
78	9	EA-1291-1	Shell			x	x	x				1
78	10	EA-1291-2	Shell			x	x	x				1
78	11	EA-1292	Bushing Assembly—Float			x	x	x				1

Section II
Group Assembly Parts List

EO 20-85BA-4

Fig. No.	Index No.	Part No.	Nomenclature								Units Per Assy	
				EA-15-120088	EA-15-4310270	EA-15-4310270-1	EA-15-4310272-1	EA-15-P-5047	EA-15-P-5048	EA-15W-24-685-002-2		EA-15W-4162778
78	11A	EA-1240	Sleeve—Bushing		x	x	x					1
78	11B	EA-1241	Pin—Bushing		x	x	x					1
78	11C	EA-1281	Rivet		x	x	x					1
83	42	EA-1257-1	Washer								x	2
83	43	EA-1536	Float								x	1
83	32	EA-8526	Fulcrum	x	x	x	x	x	x	x	x	1
83	33	EA-1245	Pin—Operating rod link	x	x	x	x	x	x	x	x	1
83	34	AN960B8	Washer	x	x	x	x	x	x	x	x	1
83	35	Comm	Pin—Locking (copper) No. 18 B & S ga x 3/8 in. (EA-1229)	x	x	x	x	x	x	x	x	1
83	36	Comm	Rivet, Stimpson No. H-149 brass (EA-8530)	x	x	x	x	x	x	x	x	2
83	37	8229	Rivet	x	x	x	x	x	x	x	x	1
83	38	EA-1278	Plate—Name	x	x	x	x	x	x	x	x	1
83	17	AN430-2-4	Rivet	x	x	x	x	x	x	x	x	2
83	39	8262	Gasket	x	x	x	x	x	x	x	x	1

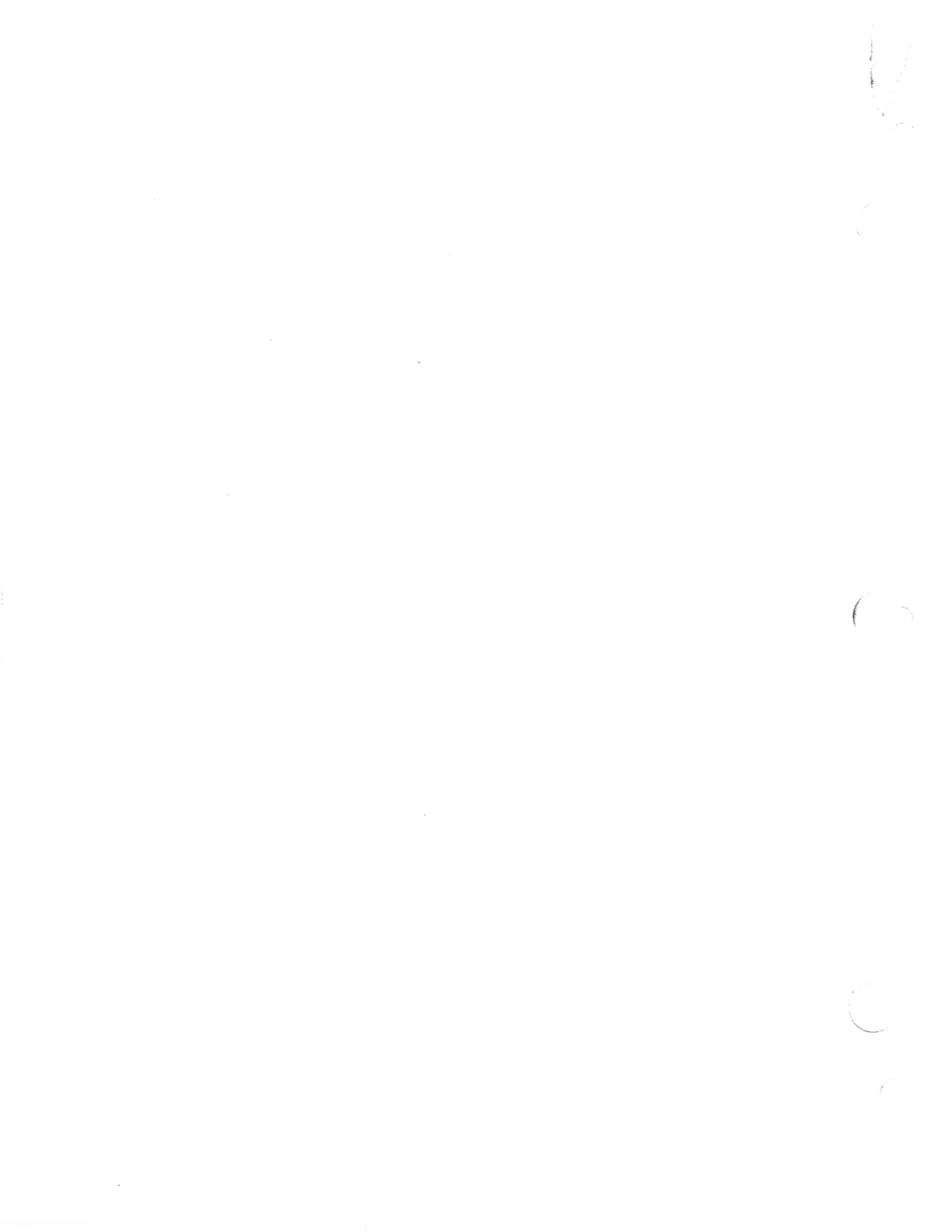


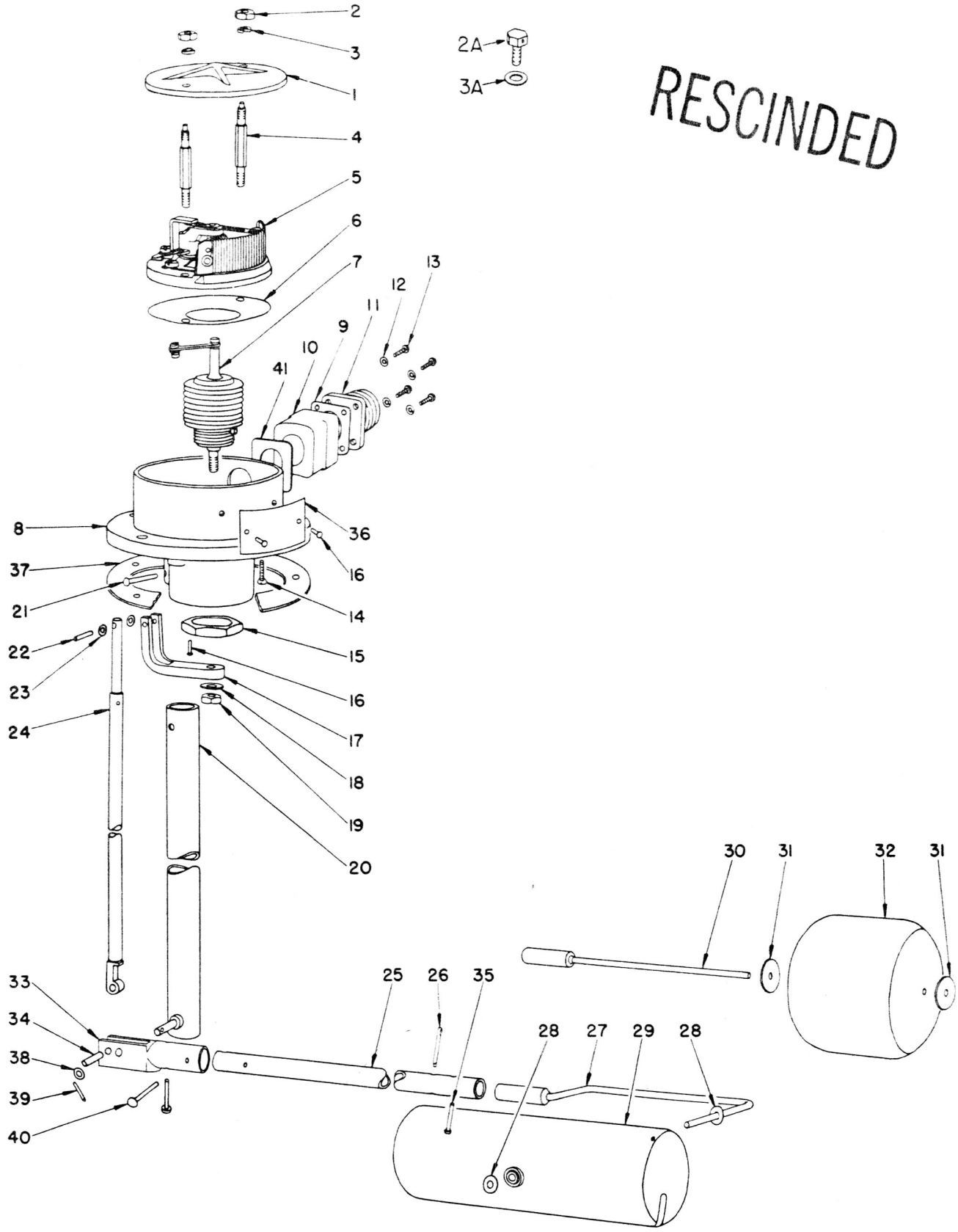
Fig. No.	Index No.	Part No.	Nomenclature								Units Per Assy		
				EA-15-4113228-2	EA-15-4113228-3	EA-15-4113228-4	EA-15-4113228-5	EA-15-4136535-2	EA-15-4136535-3	EA-15-4136535-4		EA-15-4136535-5	EA-15W-4144825
Tank Unit Assembly													
84	1	EA-1525	Cover—Housing	x	x	x	x	x	x	x	x	x	1
84	2	AN-340B8	Nut	x	x	x	x	x	x	x	x	x	2
84	3	AN935B8	Washer—Lock	x	x	x	x	x	x	x	x	x	2
84	4	EA-1542	Stud	x	x	x	x	x	x	x	x	x	2
84	5	EA-1502-1	Potentiometer Assembly	x	x	x	x	x	x	x	x	x	1
71	1	EA-1504-1	Base Assembly—Potentiometer	x	x	x	x	x	x	x	x	x	1
72	1	EA-1512	Base	x	x	x	x	x	x	x	x	x	1
72	2	EA-1521	Resistor	x	x	x	x	x	x	x	x	x	1
72	3	Comm	Eyelet, Stimpson Co. Part No. A-1177 (EA-1548)	x	x	x	x	x	x	x	x	x	2
72	4	EA-1516	Shaft	x	x	x	x	x	x	x	x	x	1
72	5	EA-1524	Lever—Adjustment R—	x	x	x	x	x	x	x	x	x	1
72	6	EA-1527	Lever—Adjustment R+	x	x	x	x	x	x	x	x	x	1
72	7	EA-1522	Washer	x	x	x	x	x	x	x	x	x	3
72	8	EA-1523	Bushing	x	x	x	x	x	x	x	x	x	1
72	9	EA-1526	Eccentric—Adjustment	x	x	x	x	x	x	x	x	x	2
72	10	EA-1576	Stud	x	x	x	x	x	x	x	x	x	1
71	2	EA-1257	Washer	x	x	x	x	x	x	x	x	x	2
71	3	EA-1505	Arm Assembly—Contact	x	x	x	x	x	x	x	x	x	1
71	3A	EA-1514	Arm—Contact	x	x	x	x	x	x	x	x	x	1
71	3B	EA-1658	Shoe—Contact arm	x	x	x	x	x	x	x	x	x	1
71	3C	EA-1631	Blade—Contact arm	x	x	x	x	x	x	x	x	x	1
71	3D	EA-1550	Washer—Spring	x	x	x	x	x	x	x	x	x	1
71	3E	Comm	Eyelet, Waterbury Co. Part No. 9966 (EA-1518)	x	x	x	x	x	x	x	x	x	1
71	3F	EA-1582	Washer	x	x	x	x	x	x	x	x	x	1
71	4	EA-1575	Spring	x	x	x	x	x	x	x	x	x	1

RESCINDED

Fig. No.	Index No.	Part No.	Nomenclature							EA-15W-249	EA-15W-250	Units Per Assy
			1	2	3	4	5	6	7			
84	5	EA-1502S-1								x	x	1
72	2	EA-1521								x	x	1
73	3	EA-1505								x	x	1
84	8	EA-1511-52-1								x		1
84	8	EA-1511-51-1									x	1
84	11	EA-4507A								x	x	1
84	20	EA-1205-223								x	x	1
84	24	EA-9901-76								x	x	1
84	25	EA-1252-330								x	x	1
84	27	EA-1255A								x	x	1
84	29	EA-1294								x	x	1
84	33	EA-8524								x	x	1

ALL OTHER PARTS TO COMPLETE TANK
UNIT FOUND ON FIGURE 84





RESCINDED

Figure 84—Tank Units EA-15 & EA-15W

Section II
Group Assembly Parts List

EO 20-85BA-4

Fig. No.	Index No.	Part No.	Nomenclature											Units Per Assy							
				1	2	3	4	5	6	7	EA-15-4113228-2	EA-15-4113228-3	EA-15-4113228-4		EA-15-4113228-5	EA-15-4136535-2	EA-15-4136535-3	EA-15-4136535-4	EA-15-4136535-5	EA-15W-4144825	EA-15W-4144825-1
71	5	Comm	Pin—Locking (copper) No. 18 B & S ga x 3/8 in. lg (EA-1229)	x	x	x	x	x	x	x	x	x	x	x	x	x	x	x	x	x	1
71	6	EA-1520	Contactor—Contact arm	x	x	x	x	x	x	x	x	x	x	x	x	x	x	x	x	x	1
71	7	660-51	Lug—Solder	x	x	x	x	x	x	x	x	x	x	x	x	x	x	x	x	x	1
71	8	AN935B6	Washer—Lock	x	x	x	x	x	x	x	x	x	x	x	x	x	x	x	x	x	1
71	9	AN520B6-4	Screw, RH 6 40 x 1/4 in.	x	x	x	x	x	x	x	x	x	x	x	x	x	x	x	x	x	1
84	5	EA1502S-1	Potentiometer Assembly																		1
73	1	EA-1504-1	Base Assembly—Potentiometer																		1
72	1	EA-1512	Base																		1
72	2	EA-1521	Resistor																		1
72	3	Comm	Eyelet, Stimpson Co. Part No. A-1177 (EA 1548)																		2
72	4	EA-1516	Shaft																		1
72	5	EA-1524	Lever—Adjustment R—																		1
72	6	EA-1527	Lever—Adjustment R+																		1
72	7	EA-1522	Washer																		1
72	8	EA-1523	Bushing																		3
72	9	EA-1526	Eccentric—Adjustment																		1
72	10	EA-1576	Stud																		2
73	2	EA-1257	Washer																		1
73	3	EA-1505S	Arm—Contact and Switch Arm Assembly																		2
73	3A	EA-1505	Arm Assembly—Contact																		1
71	3A	EA-1514	Arm—Contact																		1
71	3B	EA-1658	Shoe—Contact arm																		1
71	3C	EA-1631	Blade—Contact arm																		1
71	3D	EA-1550	Washer—Spring																		1
71	3E	Comm	Eyelet, Waterbury Co. Part No. 9966 (EA-1518)																		1
71	3F	EA-1582	Washer																		1
73	3B	Comm	Eyelet, Waterbury Co. Part No. 9966 (EA-1518)																		1
73	3C	EA-1559	Arm—Switch contact																		1
73	3D	EA-1550	Washer—Spring																		1
73	4	EA-1575	Spring																		1
73	5	Comm	Pin—Locking (copper) No. 18 B & S ga 3/8 in. lg (EA-1229)	x	x	x	x	x	x	x	x	x	x	x	x	x	x	x	x	x	1
73	6	EA-1520	Contactor—Contact arm																		1
73	7	660-51	Lug—Solder																		1
73	8	AN935B6	Washer—Lock																		1
73	9	AN935B6	Screw, RH 6 40 x 1/4 in.																		1
73	10	EA-1508	†Switch Assembly—Warning																		1
75	1	EA-6511	Housing and Stem Assembly																		1
75	1A	EA-1645	Housing Assembly																		1
76	1	EA-1641	Housing—Warning switch																		1
76	2	EA-1598	Plate—Stop																		1
76	3	EA-1556	Spring—Arm return																		1
76	4	AN-430B2-3	Rivet, cut to 1/8 inch lg (EA-1529)																		2
75	1B	EA-1510	Stem Assembly																		1
76	5	EA-6510	Stem with contact point																		1
76	5A	EA-1554	Stem																		1
76	5B	EA-1567-1	Contact																		1
76	6	EA-1557	Retainer—Diaphragm																		1
76	7	EA-1566	Diaphragm																		1
76	8	Comm	Cord—Waxed, dental floss Johnson & Johnson (EA-7920)																		1
75	1C	EA-1656	Shaft—Stem																		1
75	2	EA-1555	Arm—Contact																		1
75	3	EA-1569	Pin—Contact arm																		1
75	4	EA-1646	Cover Assembly																		1
75	4A	EA-1643	Cover																		1

RESCINDED

Fig. No.	Index No.	Part No.	Nomenclature	1 2 3 4 5 6 7								Units Per Assy							
				EA-15-4113228-2	EA-15-4113228-3	EA-15-4113228-4	EA-15-4113228-5	EA-15-4136535-2	EA-15-4136535-3	EA-15-4136535-4	EA-15-4136535-5								
75	4B	EA-1647-1	Contact												x	x	x	1	
75	4C	EA-1655	Strip—Connection															x	1
75	4D		Comm															x	1
73	11	AN515B3-4	Screw, RH 3 48 x 1/4 in.															x	1
73	12	EA-1657	Spacer															x	1
73	13	AN515B3-5	Screw, RH 3 48 5, 16 in.															x	1
84	6	EA-1583	Pad—Insulating															x	1
84	7	EA-1203	+Seal Assembly—Bellows	x	x	x	x	x	x	x	x	x	x	x	x	x	x	x	1
79	1	EA-1445	Bellows	x	x	x	x	x	x	x	x	x	x	x	x	x	x	x	1
79	2	EA-6507	Holder Assembly—Bellows	x	x	x	x	x	x	x	x	x	x	x	x	x	x	x	1
79	2A	EA-1232	Lever—Bellows	x	x	x	x	x	x	x	x	x	x	x	x	x	x	x	1
79	2B	EA-1446	Holder—Bellows	x	x	x	x	x	x	x	x	x	x	x	x	x	x	x	1
79	2C	EA-1233	Pin	x	x	x	x	x	x	x	x	x	x	x	x	x	x	x	1
79	2D	EA-1274	Pin—Locating	x	x	x	x	x	x	x	x	x	x	x	x	x	x	x	1
79	3	EA-1236	Stud—Bearing	x	x	x	x	x	x	x	x	x	x	x	x	x	x	x	1
79	4	EA-6503	Link Assembly	x	x	x	x	x	x	x	x	x	x	x	x	x	x	x	1
79	4A	EA-1235	Link	x	x	x	x	x	x	x	x	x	x	x	x	x	x	x	1
77	4B	EA-1237	Screw	x	x	x	x	x	x	x	x	x	x	x	x	x	x	x	1
79	4C	EA-1238	Washer	x	x	x	x	x	x	x	x	x	x	x	x	x	x	x	1
79	4D	EA-1239	Nut	x	x	x	x	x	x	x	x	x	x	x	x	x	x	x	1
84	8	EA-1511-87-1	Housing																1
84	8	EA-1511-88-1	Housing	x														x	1
84	8	EA-1511-517-1	Housing		x													x	1
84	8	EA-1511-519-1	Housing						x										1
84	9	EA-4546-1	Gasket																1
84	10	EA-4542	Block—Mounting	x	x	x	x	x	x	x	x	x	x	x	x	x	x	x	1
84	41	EA-4525	Gasket	x	x	x	x	x	x	x	x	x	x	x	x	x	x	x	1
84	11	AND10066-14S-1P	Receptacle	x	x	x	x	x	x	x	x	x	x	x	x	x	x	x	1
84	12	AN935B4	Washer—Lock	x	x	x	x	x	x	x	x	x	x	x	x	x	x	x	4
84	13	AN500B4-5	Screw, fil hd 4 40 x 5/16 in.	x	x	x	x	x	x	x	x	x	x	x	x	x	x	x	4
84	14	AN505B5-8	Screw, FH 5 40 x 1/2 in.	x	x	x	x	x	x	x	x	x	x	x	x	x	x	x	2
84	15	EA-1242	Nut	x	x	x	x	x	x	x	x	x	x	x	x	x	x	x	1
84	16	AN430-2-4	Rivet	x	x	x	x	x	x	x	x	x	x	x	x	x	x	x	1
84	17	EA-1246	Arm	x	x	x	x	x	x	x	x	x	x	x	x	x	x	x	1
84	18	AN960B10	Washer	x	x	x	x	x	x	x	x	x	x	x	x	x	x	x	1
84	19	AN345B10	Nut, hex	x	x	x	x	x	x	x	x	x	x	x	x	x	x	x	1
84	20	EA-1205-161	Pipe Assembly—Fulcrum																1
84	20	EA-1205-193	Pipe Assembly—Fulcrum	x	x														1
84	20	EA-1205-194	Pipe Assembly—Fulcrum																1
84	20	EA-1205-195	Pipe Assembly—Fulcrum					x	x										1
84	20	EA-1205-196	Pipe Assembly—Fulcrum																1
84	20	EA-1205-197	Pipe Assembly—Fulcrum																1
77	1	EA-1259-161	Pipe—Fulcrum																1
77	1	EA-1259-193	Pipe—Fulcrum	x	x														1
77	1	EA-1259-194	Pipe—Fulcrum					x	x										1
77	1	EA-1259-195	Pipe—Fulcrum							x	x								1
77	1	EA-1259-196	Pipe—Fulcrum																1
77	1	EA-1259-197	Pipe—Fulcrum																1
77	2	EA-1260	Stud—Fulcrum																1
77	3	EA-1591B	Plug—Fulcrum	x	x	x	x	x	x	x	x	x	x	x	x	x	x	x	1
84	21	AN430-4-18	Rivet	x	x	x	x	x	x	x	x	x	x	x	x	x	x	x	1
84	22	EA-1258	Pin—Operating	x	x	x	x	x	x	x	x	x	x	x	x	x	x	x	1
84	23	8227	Washer	x	x	x	x	x	x	x	x	x	x	x	x	x	x	x	2
84	24	EA-9901-54	Rod Assembly—Operating																1
84	24	EA-9901-83	Rod Assembly—Operating	x	x														1
84	24	EA-9901-84	Rod Assembly—Operating																1
84	24	EA-9901-85	Rod Assembly—Operating																1
84	24	EA-9901-86	Rod Assembly—Operating																1
84	24	EA-9901-87	Rod Assembly—Operating																1
77	4	EA-1247	Extension—Operating rod	x	x	x	x	x	x	x	x	x	x	x	x	x	x	x	1
77	5	EA-1253-154	Rod—Operating																1
77	5	EA-1253-183	Rod—Operating	x	x														1
77	5	EA-1253-184	Rod—Operating																1

Section II
Group Assembly Parts List

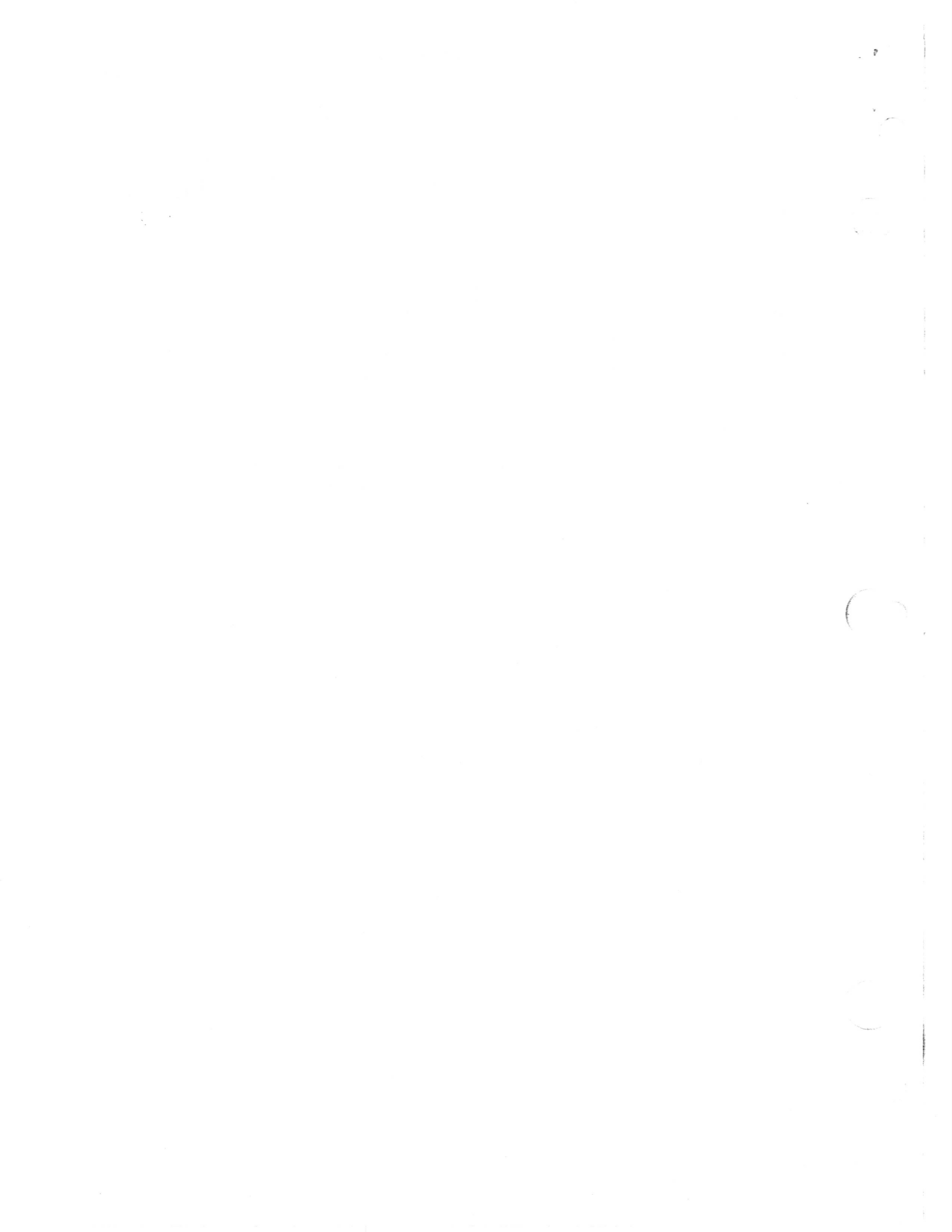
EO 20-85BA-4

Fig. No.	Index No.	Part No.	Nomenclature							Units Per Assy											
			1	2	3	4	5	6	7												
77	5	EA-1253-185																			
77	5	EA-1253-186																			
77	5	EA-1253-187																			
77	6	EA-8550																			
77	7	AN430D2-6																			
84	25	EA-1252-216																			
84	25	EA-1252-257																			
84	25	EA-1252-294																			
84	25	EA-1252-322																			
84	25	EA-1252-323																			
84	25	EA-1252-324																			
84	26	AN380B2-2																			
84	27	EA-1255A																			
84	30	EA-1255-119-1A																			
78	12	EA-1255																			
78	13	EA-1255-119-1																			
78	14	EA-1254																			
84	28	EA-1257																			
84	29	EA-1294																			
78	1	EA-1270																			
78	2	EA-1280																			
78	3	EA-1268																			
78	4	EA-1269-1																			
84	31	EA-1257-1																			
84	32	EA-1536																			
84	33	EA-8525																			
84	33	EA-8526																			
84	34	EA-1245																			
84	38	AN960B8																			
84	39	Comm																			
84	40	Comm																			
84	35	8229																			
84	36	EA-1278																			
84	16	AN430-2-4																			
84	37	8262																			

Fig. No.	Index No.	Part Number	Nomenclature				Units Per Assy.
			1	2	3	4	
		EA-15-341	TANK UNIT				
84	1	EA-8540					1
84	2A	EA-8544					2
84	3A	EA-8559					2
85	4	EA-8541-1					1
84	4	EA-8542					2
84	5	EA-1502-1					1
72	2	EA-1521					1
71	3	EA-1505					1
84	8	EA-1511-51-1					1
84	41	EA-4525					1
84	10	EA-56543-1					1
84	9	EA-4546-2					1
84	11	EA-4509A					1
84	20	EA-1205-254					1
84	24	EA-9901-129					1
84	25	EA-1252-440					1
84	30	EA-1255-119A-1					1
84	31	EA-1257-1					2
84	32	EA-1536					1
84	33	EA-8524					1

RESCINDED

ALL OTHER PARTS TO COMPLETE TANK UNIT
FOUND ON FIGURE 84



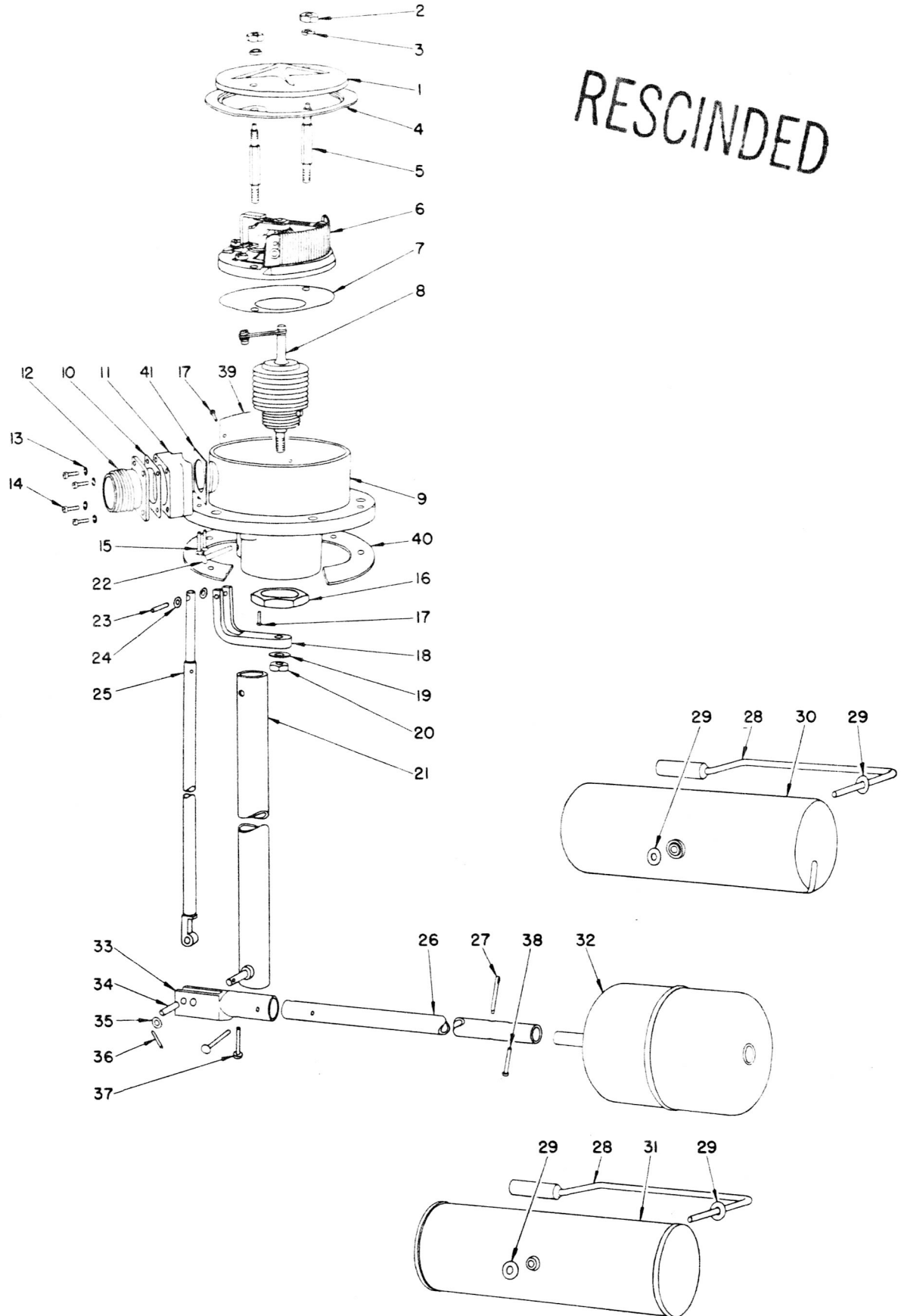


Figure 85—Tank Unit EA-15 and EA-15W

Section II
Group Assembly Parts List

EO 20-85BA-4

Fig. No.	Index No.	Part No.	Nomenclature								Units Per Assy
				EA-15-120089	EA-15-4310272	EA-15-5132925	EA-15-VS-36862	EA-15W-24-685-002-1	EA-15W-4139873		
			Tank Unit Assembly								
85	1	EA-1525	Cover—Housing	x	x	x	x	x	x	1	
85	2	AN-340B8	Nut		x	x	x	x	x	2	
85	2	EA-16141	Nut	x						2	
85	3	AN935B8	Washer—Lock		x	x	x	x	x	2	
85	3	EA-16142	Washer	x						2	
85	4	EA-17638	Gasket	x						1	
85	5	EA-1542	Stud	x	x	x	x	x	x	2	
85	6	EA-1502-1	Potentiometer Assembly	x	x	x	x			1	
71	1	EA-1504-1	Base Assembly—Potentiometer	x	x	x	x			1	
72	1	EA-1512	Base	x	x	x	x			1	
72	2	EA-1521	Resistor	x	x	x	x			1	
72	3	Comm	Eyelet, Stimpson Co. Part No. A-1177 (EA-1548)	x	x	x	x			2	
72	4	EA-1516	Shaft	x	x	x	x			1	
72	5	EA-1524	Lever—Adjustment R—	x	x	x	x			1	
72	6	EA-1527	Lever—Adjustment R+	x	x	x	x			1	
72	7	EA-1522	Washer	x	x	x	x			3	
72	8	EA-1523	Bushing	x	x	x	x			1	
72	9	EA-1526	Eccentric—Adjustment	x	x	x	x			2	
72	10	EA-1576	Stud	x	x	x	x			1	
71	2	EA-1257	Washer	x	x	x	x			2	
71	3	EA-1505	Arm Assembly—Contact	x	x	x	x			1	
71	3A	EA-1514	Arm—Contact	x	x	x	x			1	
71	3B	EA-1658	Shoe—Contact arm	x	x	x	x			1	
71	3C	EA-1631	Blade—Contact arm	x	x	x	x			1	
71	3D	EA-1550	Washer—Spring	x	x	x	x			1	
71	3E	Comm	Eyelet, Waterbury Co. Part No. 9966 (EA-1518)	x	x	x	x			1	
71	3F	EA-1582	Washer	x	x	x	x			1	
71	4	EA-1575	Spring	x	x	x	x			1	
71	5	Comm	Pin—Locking (copper) No. 18 B & S ga x 3/8 in. lg (EA-1229)	x	x	x	x			1	
71	6	EA-1520	Contact—Contact arm	x	x	x	x			1	
71	7	660-51	Lug—Solder	x	x	x	x			1	
71	8	AN935B6	Washer—Lock	x	x	x	x			1	
71	9	AN520B6-4	Screw, RH 6 40 x 1/4 in.	x	x	x	x			1	
85	6	EA-1502S-1	Potentiometer Assembly					x	x	1	
73	1	EA-1504-1	Base Assembly—Potentiometer					x	x	1	
72	1	EA-1512	Base					x	x	1	
72	2	EA-1521	Resistor					x	x	1	
72	3	Comm	Eyelet, Stimpson Co. Part No. A-1177 (EA-1548)					x	x	2	
72	4	EA-1516	Shaft					x	x	1	
72	5	EA-1524	Lever—Adjustment R—					x	x	1	
72	6	EA-1527	Lever—Adjustment R+					x	x	1	
72	7	EA-1522	Washer					x	x	3	
72	8	EA-1523	Bushing					x	x	1	
72	9	EA-1526	Eccentric—Adjustment					x	x	2	
72	10	EA-1576	Stud					x	x	1	
73	2	EA-1257	Washer					x	x	2	
73	3	EA-1505S	Arm—Contact and Switch Arm Assembly					x	x	1	
73	3A	EA-1505	Arm Assembly—Contact					x	x	1	
71	3A	EA-1514	Arm—Contact					x	x	1	
71	3B	EA-1658	Shoe—Contact arm					x	x	1	
71	3C	EA-1631	Blade—Contact arm					x	x	1	
71	3D	EA-1550	Washer—Spring					x	x	1	
71	3E	Comm	Eyelet, Waterbury Co. Part No. 9966 (EA-1518)					x	x	1	
71	3F	EA-1582	Washer					x	x	1	
73	3B	Comm	Eyelet, Waterbury Co. Part No. 9966 (EA-1518)					x	x	1	
73	3C	EA-1559	Arm—Switch contact					x	x	1	

RESCINDED

Fig. No.	Index No.	Part No.	Nomenclature								Units Per Assy		
				1	2	3	4	5	6	7			
73	3D	EA1550	Washer—Spring								x	x	1
73	4	EA-1575	Spring								x	x	1
73	5	Comm	Pin—Locking (copper) No. 18 B & S ga 3/8 in. lg (EA-1229)								x	x	1
73	6	EA-1520	Contactor—Contact arm								x	x	1
73	7	660-51	Lug—Solder								x	x	1
73	8	AN935B6	Washer—Lock								x	x	1
73	9	AN520B6-4	Screw, RH 6 40 x 1/4 in.								x	x	1
73	10	EA-1508	†Switch Assembly—Warning								x	x	1
75	1	EA-6511	Housing and Stem Assembly								x	x	1
75	1A	EA-1645	Housing Assembly								x	x	1
76	1	EA-1641	Housing—Warning switch								x	x	1
76	2	EA-1598	Plate—Stop								x	x	1
76	3	EA-1556	Spring—Arm return								x	x	1
76	4	AN430B2-3	Rivet, cut to 1/8 in. lg (EA-1529)								x	x	2
75	1B	EA-1510	Stem Assembly								x	x	1
76	5	EA-6510	Stem with contact point								x	x	1
76	5A	EA-1554	Stem								x	x	1
76	5B	EA-1567	Contact								x	x	1
76	6	EA-1557	Retainer—Diaphragm								x	x	1
76	7	EA-1566	Diaphragm								x	x	1
76	8	Comm	Cord—Waxed, dental floss, Johnson & Johnson (EA-7920)								x	x	1
75	1C	EA-1656	Shaft—Stem								x	x	1
75	2	EA-1555	Arm—Contact								x	x	1
75	3	EA-1569	Pin—Contact arm								x	x	1
75	4	EA-1646	Cover Assembly								x	x	1
75	4A	EA-1643	Cover								x	x	1
75	4B	EA-1647-1	Contact								x	x	1
75	4C	EA-1655	Strip—Connection								x	x	1
75	4D	Comm	Pin—Bank No. 5 (EA-3924)								x	x	1
73	11	AN515B3-4	Screw, RH 3 48 x 1/4 in.								x	x	1
73	12	EA-1657	Spacer								x	x	1
73	13	AN515B3-5	Screw, RH 3 48 x 5/16 in.								x	x	1
85	7	EA-1583	Pad—Insulating								x	x	1
85	8	EA-1203	†Seal Assembly—Bellows	x	x	x	x	x	x	x	x	x	1
79	1	EA-1445	Bellows	x	x	x	x	x	x	x	x	x	1
79	2	EA-6507	Holder Assembly—Bellows	x	x	x	x	x	x	x	x	x	1
79	2A	EA-1232	Lever—Bellows	x	x	x	x	x	x	x	x	x	1
79	2B	EA-1446	Holder—Bellows	x	x	x	x	x	x	x	x	x	1
79	2C	EA-1233	Pin	x	x	x	x	x	x	x	x	x	1
79	2D	EA-1274	Pin—Locating	x	x	x	x	x	x	x	x	x	1
79	3	EA-1236	Stud—Bearing	x	x	x	x	x	x	x	x	x	1
79	4	EA-6503	Link Assembly	x	x	x	x	x	x	x	x	x	1
79	4A	EA-1235	Link	x	x	x	x	x	x	x	x	x	1
79	4B	EA-1237	Screw	x	x	x	x	x	x	x	x	x	1
79	4C	EA-1238	Washer	x	x	x	x	x	x	x	x	x	1
79	4D	EA-1239	Nut	x	x	x	x	x	x	x	x	x	1
85	9	EA-1511-51-1	Housing	x	x						x	x	1
85	9	EA-1511-51-2	Housing										1
85	9	EA-1511-51-7	Housing								x		1
85	10	EA-4546-1	Gasket								x	x	1
85	10	EA-4546-2	Gasket	x							x	x	1
85	11	EA-4542	Block—Mounting								x	x	1
85	11	EA-4543	Block—Mounting	x							x	x	1
85	41	EA-4525	Gasket	x	x	x	x	x	x	x	x	x	1
85	12	AND10066-125-3P	Receptacle	x							x	x	1
85	12	AND10066-14S-1P	Receptacle								x	x	1
85	13	AN935B4	Washer—Lock	x	x	x	x	x	x	x	x	x	4
85	14	AN500B4-5	Screw, fil hd 4 40 x 5/16 in.	x	x	x	x	x	x	x	x	x	4
85	15	AN505B5-8	Screw, FH 5 40 x 1/2 in.	x	x	x	x	x	x	x	x	x	2
85	16	EA-1242	Nut	x	x	x	x	x	x	x	x	x	1

Section II
Group Assembly Parts List

EO 20-85BA-4

Fig. No.	Index No.	Part No.	Nomenclature								Units Per Assy	
				1	2	3	4	5	6	7		
85	17	AN430-2-4	Rivet									2
85	18	EA-1246	Arm									1
85	19	AN960B10	Washer									1
85	20	AN345B10	Nut, hex									1
85	21	EA-1205-130	Pipe Assembly—Fulcrum									1
85	21	EA-1205-136	Pipe Assembly—Fulcrum									1
85	21	EA-1205-170	Pipe Assembly—Fulcrum									1
85	21	EA-1205-181	Pipe Assembly—Fulcrum									1
85	21	EA-1205-191	Pipe Assembly—Fulcrum									1
85	21	EA-1205-198	Pipe Assembly—Fulcrum									1
77	1	EA-1259-130	Pipe—Fulcrum									1
77	1	EA-1259-136	Pipe—Fulcrum									1
77	1	EA-1259-170	Pipe—Fulcrum									1
77	1	EA-1259-181	Pipe—Fulcrum									1
77	1	EA-1259-191	Pipe—Fulcrum									1
77	1	EA-1259-198	Pipe—Fulcrum									1
77	2	EA-1260	Stud—Fulcrum									1
77	3	EA-1591B	Plug—Fulcrum									1
85	22	AN430-4-18	Rivet									1
85	23	EA-1258	Pin—Operating									1
85	24	8227	Washer									2
85	25	EA-9901-22	Rod Assembly—Operating									1
85	25	EA-9901-30	Rod Assembly—Operating									1
85	25	EA-9901-35	Rod Assembly—Operating									1
85	25	EA-9901-73	Rod Assembly—Operating									1
85	25	EA-9901-81	Rod Assembly—Operating									1
85	25	EA-9901-88	Rod Assembly—Operating									1
77	4	EA-1247	Extension—Operating Rod									1
77	5	EA-1253-122	Rod—Operating									1
77	5	EA-1253-130	Rod—Operating									1
77	5	EA-1253-135	Rod—Operating									1
77	5	EA-1253-173	Rod—Operating									1
77	5	EA-1253-181	Rod—Operating									1
77	5	EA-1253-188	Rod—Operating									1
77	6	EA-8550	Link—Operating rod									1
77	7	AN430D2-6	Rivet									2
85	26	EA-1252-201	Arm—Float									1
85	26	EA-1252-240	Arm—Float									1
85	26	EA-1252-246	Arm—Float									1
85	26	EA-1252-291	Arm—Float									1
85	26	EA-1252-310	Arm—Float									1
85	26	EA-1252-320	Arm—Float									1
85	27	AN380B2-2	Pin—Cotter									1
85	28	EA1255A	Fork—Float with bushing									1
85	28	EA-1255-105A	Fork—Float with bushing									1
85	28	EA-1255-107A	Fork—Float with bushing									1
78	12	EA-1255	Fork—Float									1
78	12	EA-1255-105	Fork—Float									1
78	12	EA-1255-107	Fork—Float									1
78	14	EA-1254	Bushing									2
85	29	EA-1257	Washer									1
85	30	EA-1294	Float Assembly									1
78	1	EA-1270	Float									1
78	2	EA-1280	Bearing									1
78	3	EA-1268	Bushing									2
78	4	EA-1269-1	Weight									1
85	31	EA-1256	Float Assembly									1
78	5	EA-1625	Shell—Float									2
78	6	EA-1626	End—Float									1
78	7	EA-1280	Bearing									1
78	8	EA-1080	Weight									1

Fig. No.	Index No.	Part No.	Nomenclature							Units Per Assy	
			1	2	3	4	5	6	7		
85		EA-15-4174039									
85	4	EA-17638									1
85	6	EA-1502-1									1
72	2	EA-1521									1
71	3	EA-1505									1
85	9	EA-1511-53-1									1
85	12	EA-4509A									1
85	21	EA-1205-249									1
85	25	EA-9901-124									1
85	26	EA-1252-316									1
85	28	EA-1255A									1
85	31	EA-1290M									1
85	33	EA-8524									1

RESCINDED

ALL OTHER PARTS TO COMPLETE TANK
UNIT ARE FOUND ON FIGURE 85

RESCINDED

Fig. No.	Index No.	Part No.	Nomenclature							EA-15-120089	EA-15-4310272	EA-15-5132925	EA-15-V/S-36862	EA-15W-24-685-002-1	EA-15W-4139873	Units Per Assy
			1	2	3	4	5	6	7							
85	32	EA-1291M								x						1
78	9	EA-1291-1								x						1
78	10	EA-1291-2								x						1
78	11	EA-1292								x						1
78	11A	EA-1240								x						1
78	11B	EA-1241								x						1
78	11C	EA-1281								x						1
85	33	EA-8523									x					1
85	33	EA-8524										x				1
85	33	EA-8526								x			x		x	1
85	34	EA-1245							x	x	x	x	x	x	x	1
85	35	AN960B8							x	x	x	x	x	x	x	1
85	36	EA-1229							x	x	x	x	x	x	x	1
85	37	Comm							x	x	x	x	x	x	x	2
85	38	8229							x	x	x	x	x	x	x	1
85	39	EA-1278							x	x	x	x	x	x	x	1
85	17	AN430-2-4							x	x	x	x	x	x	x	2
85	40	8262							x	x	x	x	x	x	x	1



Fig. No.	Index No.	Part No.	Nomenclature							EA-15A-14-685-002 L & R	EA-15A-23-685-001-1	EA-15A-27-421-1039	EA-15A-63-78071	EA-15A-63-78071-1	EA-15A-82-00128-2	EA-15A-82-00128-3	EA-15A-162B5835	EA-15AW-27-685-001-1	EA-15AW-62-00168-2	EA-15AW-62-00168-3	EA-15AW-62A-00346-2	EA-15AW-62A-00346-3	Units Per Assy
			1	2	3	4	5	6	7														
86	1	EA-1525																					
86	2	AN340B8								x	x	x	x	x	x	x	x	x	x	x	x	x	1
86	3	AN935B8								x	x	x	x	x	x	x	x	x	x	x	x	x	2
86	4	EA-1542								x	x	x	x	x	x	x	x	x	x	x	x	x	2
86	5	EA-1502-1								x	x	x	x	x	x	x	x	x	x	x	x	x	2
71	1	EA-1504-1								x	x	x	x	x	x	x	x	x	x	x	x	x	1
72	1	EA-1512								x	x	x	x	x	x	x	x	x	x	x	x	x	1
72	2	EA-1521								x	x	x	x	x	x	x	x	x	x	x	x	x	1
72	3	Comm								x	x	x	x	x	x	x	x	x	x	x	x	x	2
72	4	EA-1516								x	x	x	x	x	x	x	x	x	x	x	x	x	1
72	5	EA-1524								x	x	x	x	x	x	x	x	x	x	x	x	x	1
72	6	EA-1527								x	x	x	x	x	x	x	x	x	x	x	x	x	1
72	7	EA-1522								x	x	x	x	x	x	x	x	x	x	x	x	x	1
72	8	EA-1523								x	x	x	x	x	x	x	x	x	x	x	x	x	3
72	9	EA-1526								x	x	x	x	x	x	x	x	x	x	x	x	x	1
72	10	EA-1576								x	x	x	x	x	x	x	x	x	x	x	x	x	2
71	2	EA-1257								x	x	x	x	x	x	x	x	x	x	x	x	x	1
71	3	EA-1505								x	x	x	x	x	x	x	x	x	x	x	x	x	2
71	3A	EA-1514								x	x	x	x	x	x	x	x	x	x	x	x	x	1
71	3B	EA-1658								x	x	x	x	x	x	x	x	x	x	x	x	x	1
71	3C	EA-1631								x	x	x	x	x	x	x	x	x	x	x	x	x	1
71	3D	EA-1550								x	x	x	x	x	x	x	x	x	x	x	x	x	1
71	3E	Comm								x	x	x	x	x	x	x	x	x	x	x	x	x	1

Section II
Group Assembly Parts List

EO 20-85BA-4

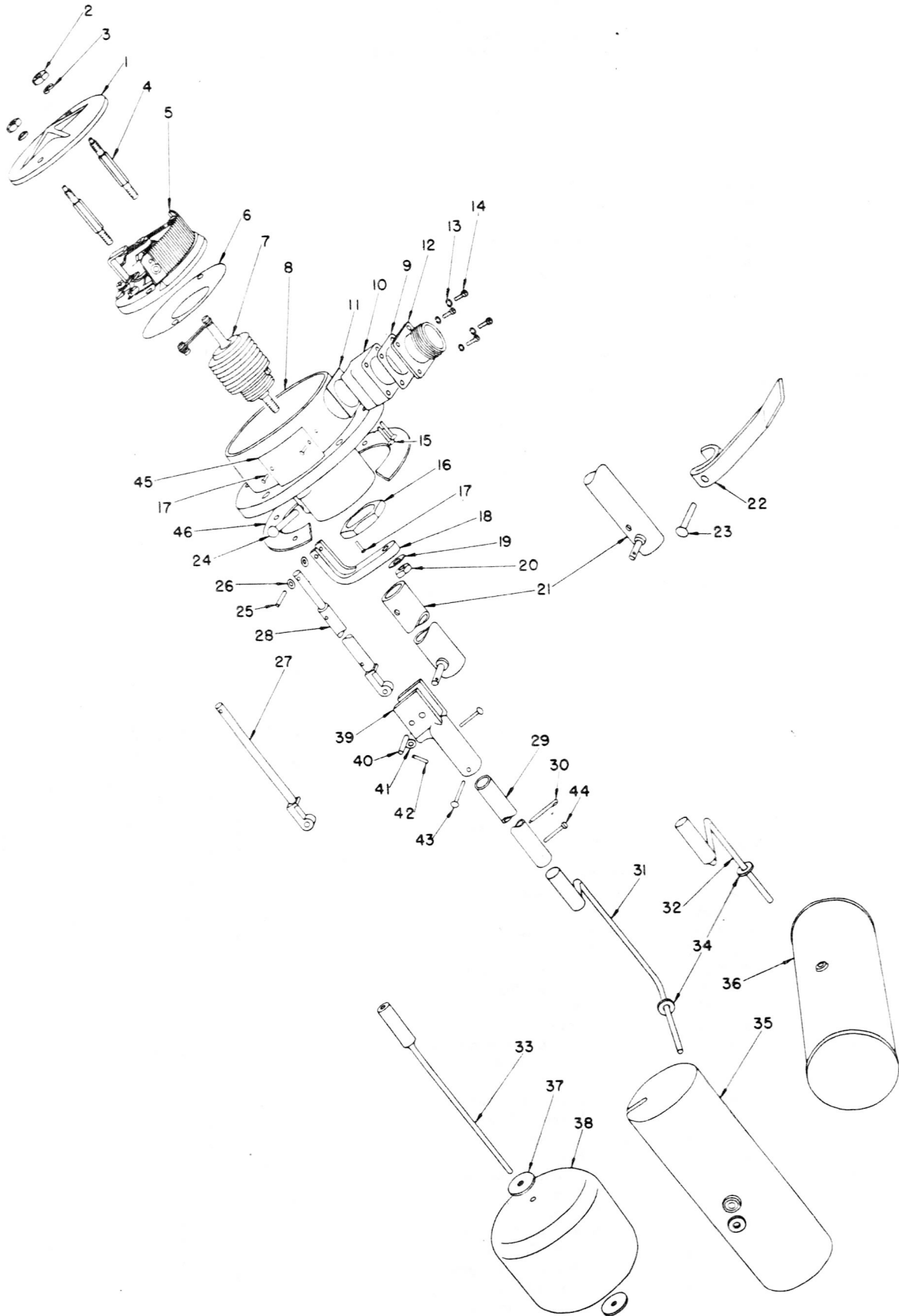


Figure 86—Tank Unit With Float Stop, EA-15A and EA-15AW

RESCINDED

Fig. No.	Index No.	Part No.	Nomenclature							EA-15A-14-685-002 L & R							Units Per Assy									
			1	2	3	4	5	6	7	EA-15A-23-685-001-1	EA-15A-27-421-1039	EA-15A-63-78071	EA-15A-63-78071-1	EA-15A-82-00128-2	EA-15A-82-00128-3	EA-15A-162B5835		EA-15AW-27-685-001-1	EA-15AW-62-00168-2	EA-15AW-62-00168-3	EA-15AW-62A-00166-2	EA-15AW-62A-00166-3				
71	3F	EA-1582								x	x	x	x	x	x											1
71	4	EA-1575								x	x	x	x	x	x											1
71	5	Comm								x	x	x	x	x	x											1
71	6	EA-1520								x	x	x	x	x	x											1
71	7	660-51								x	x	x	x	x	x											1
71	8	AN935B6								x	x	x	x	x	x											1
71	9	AN520B6-4								x	x	x	x	x	x											1
86	5	EA-1502S-1								x	x	x	x	x	x											1
73	1	EA-1504-1														x	x	x	x	x	x					1
72	1	EA-1512														x	x	x	x	x	x					1
72	2	EA-1521														x	x	x	x	x	x					1
72	3	Comm														x	x	x	x	x	x					2
72	4	EA-1516														x	x	x	x	x	x					1
72	5	EA-1524														x	x	x	x	x	x					1
72	6	EA-1527														x	x	x	x	x	x					1
72	7	EA-1522														x	x	x	x	x	x					3
72	8	EA-1523														x	x	x	x	x	x					1
72	9	EA-1526														x	x	x	x	x	x					2
72	10	EA-1576														x	x	x	x	x	x					1
73	2	EA-1257														x	x	x	x	x	x					2
73	3	EA-1505S														x	x	x	x	x	x					1
73	3A	EA-1505														x	x	x	x	x	x					1
71	3A	EA-1514														x	x	x	x	x	x					1
71	3B	EA-1658														x	x	x	x	x	x					1
71	3C	EA-1631														x	x	x	x	x	x					1
71	3D	EA-1550														x	x	x	x	x	x					1
71	3E	Comm														x	x	x	x	x	x					1
71	3F	EA-1582														x	x	x	x	x	x					1
73	3B	Comm														x	x	x	x	x	x					1
73	3C	EA-1559														x	x	x	x	x	x					1
73	3D	EA-1550														x	x	x	x	x	x					1
73	4	EA-1575														x	x	x	x	x	x					1
73	5	Comm														x	x	x	x	x	x					1
73	6	EA-1520														x	x	x	x	x	x					1
73	7	660-51														x	x	x	x	x	x					1
73	8	AN935B6														x	x	x	x	x	x					1
73	9	AN520B6-4														x	x	x	x	x	x					1
73	10	EA-1508														x	x	x	x	x	x					1
75	1	EA-6511														x	x	x	x	x	x					1
75	1A	EA-1645														x	x	x	x	x	x					1
76	1	EA-1641														x	x	x	x	x	x					1
76	2	EA-1598														x	x	x	x	x	x					1
76	3	EA-1556														x	x	x	x	x	x					1
76	4	AN430B2-3														x	x	x	x	x	x					2
75	1B	EA-1510														x	x	x	x	x	x					1
76	5	EA-6510														x	x	x	x	x	x					1
76	5A	EA-1554														x	x	x	x	x	x					1
76	5B	EA-1567-1														x	x	x	x	x	x					1
76	6	EA-1557														x	x	x	x	x	x					1
76	7	EA-1566														x	x	x	x	x	x					1
76	8	Comm														x	x	x	x	x	x					1
75	1C	EA-1656														x	x	x	x	x	x					1
75	2	EA-1555														x	x	x	x	x	x					1
75	3	EA-1569														x	x	x	x	x	x					1

Section II
Group Assembly Parts List

EO 20-85BA-4

Fig. No.	Index No.	Part No.	Nomenclature								Units Per Assy	
				1	2	3	4	5	6	7		
			Tank Unit Assembly									
87	1	EA-1525	Cover—Housing	x	x	x	x	x	x	x	x	1
87	2	AN340B8	Nut	x	x	x	x	x	x	x	x	2
87	3	AN935B8	Washer—Lock	x	x	x	x	x	x	x	x	2
87	4	EA-1542	Stud	x	x	x	x	x	x	x	x	2
87	5	EA-1502-1	Potentiometer Assembly	x	x	x	x	x	x	x	x	1
71	1	EA-1504-1	Base Assembly—Potentiometer	x	x	x	x	x	x	x	x	1
72	1	EA-1512	Base	x	x	x	x	x	x	x	x	1
72	2	EA-1521	Resistor	x	x	x	x	x	x	x	x	1
72	3	Comm	Eyelet, Stimpson Co. Part No. A-1177 (EA-1548)	x	x	x	x	x	x	x	x	2
72	4	EA-1516	Shaft	x	x	x	x	x	x	x	x	1
72	5	EA-1524	Lever—Adjustment R—	x	x	x	x	x	x	x	x	1
72	6	EA-1527	Lever—Adjustment R+	x	x	x	x	x	x	x	x	1
72	7	EA-1522	Washer	x	x	x	x	x	x	x	x	3
72	8	EA-1523	Bushing	x	x	x	x	x	x	x	x	1
72	9	EA-1526	Eccentric—Adjustment	x	x	x	x	x	x	x	x	2
72	10	EA-1576	Stud	x	x	x	x	x	x	x	x	1
71	2	EA-1257	Washer	x	x	x	x	x	x	x	x	2
71	3	EA-1505	Arm Assembly—Contact	x	x	x	x	x	x	x	x	1
71	3A	EA-1514	Arm—Contact	x	x	x	x	x	x	x	x	1
71	3B	EA-1658	Shoe—Contact arm	x	x	x	x	x	x	x	x	1
71	3C	EA-1631	Blade—Contact arm	x	x	x	x	x	x	x	x	1
71	3D	EA-1550	Washer—Spring	x	x	x	x	x	x	x	x	1
71	3E	Comm	Eyelet, Waterbury Co. Part No. 9966 EA-1518)	x	x	x	x	x	x	x	x	1
71	3F	EA-1582	Washer	x	x	x	x	x	x	x	x	1
71	4	EA-1575	Spring	x	x	x	x	x	x	x	x	1
71	5	Comm	Pin—Locking (copper) No. 18 B & S ga 3/8 in. lg (EA-1229)	x	x	x	x	x	x	x	x	1
71	6	EA-1520	Contact—Contact arm	x	x	x	x	x	x	x	x	1
71	7	660-51	Lug—Solder	x	x	x	x	x	x	x	x	1
71	8	AN935B6	Washer—Lock	x	x	x	x	x	x	x	x	1
71	9	AN520B6-4	Screw, RH 6 40 x 1/4 in.	x	x	x	x	x	x	x	x	1
87	5	EA-1502S-1	Potentiometer Assembly						x	x	x	1
73	1	EA-1504-1	Base Assembly—Potentiometer						x	x	x	1
72	1	EA-1512	Base						x	x	x	1
72	2	EA-1521	Resistor						x	x	x	1
72	3	Comm	Eyelet, Stimpson Co. Part No. A-1177(EA-1548)						x	x	x	2
72	4	EA-1516	Shaft						x	x	x	1
72	5	EA-1524	Lever—Adjustment R—						x	x	x	1
72	6	EA-1527	Lever—Adjustment R+						x	x	x	1
72	7	EA-1522	Washer						x	x	x	3
72	8	EA-1523	Bushing						x	x	x	1
72	9	EA-1526	Eccentric—Adjustment						x	x	x	2
72	10	EA-1576	Stud						x	x	x	1
73	2	EA-1257	Washer						x	x	x	2
73	3	EA-1505S	Arm—Contact and Switch Arm Assembly						x	x	x	1
73	3A	EA-1505	Arm Assembly Contact						x	x	x	1
71	3A	EA-1514	Arm—Contact						x	x	x	1
71	3B	EA-1658	Shoe—Contact arm						x	x	x	1
71	3C	EA-1631	Blade—Contact arm						x	x	x	1
71	3D	EA-1550	Washer—Spring						x	x	x	1
71	3E	Comm	Eyelet, Waterbury Co. Part No. 9966 (EA-1518)						x	x	x	1
71	3F	EA-1582	Washer						x	x	x	1
73	3B	Comm	Eyelet, Waterbury Co. Part No. 9966 (EA-1518)						x	x	x	1
73	3C	EA-1559	Arm—Switch contact						x	x	x	1
73	3D	EA-1550	Washer—Spring						x	x	x	1
73	4	EA-1575	Spring						x	x	x	1
73	5	Comm	Pin—Locking (copper) No. 18 B & S ga 3/8 in. lg (EA-1229)						x	x	x	1

RESCINDED

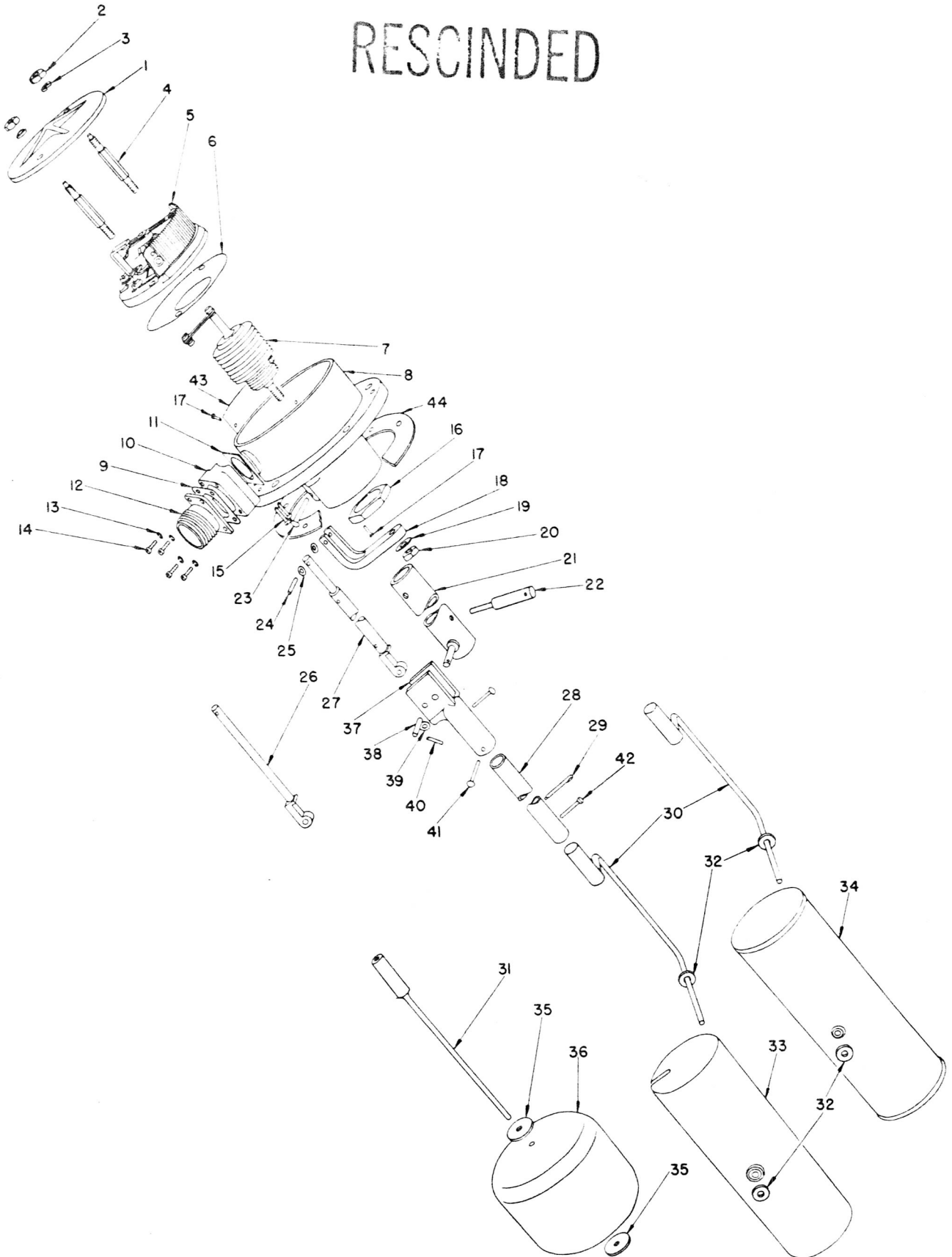


Figure 87—Tank Unit EA-15A and EA-15AW

Section II
Group Assembly Parts List

EO 20-85BA-4

Fig. No.	Index No.	Part No.	Nomenclature								Units Per Assy		
				1	2	3	4	5	6	7			
73	6	EA-1520	Contact—Contact arm							x	x	x	1
73	7	660-51	Lug—Solder							x	x	x	1
73	8	AN935B6	Washer—Lock							x	x	x	1
73	9	AN520B6-4	Screw, RH 6 40 x 1/4 in.							x	x	x	1
73	10	EA-1508	+Switch Assembly—Warning							x	x	x	1
75	1	EA-6511	Housing and Stem Assembly							x	x	x	1
75	1A	EA-1645	Housing Assembly							x	x	x	1
76	1	EA-1641	Housing—Warning switch							x	x	x	1
76	2	EA-1598	Plate—Stop							x	x	x	1
76	3	EA-1556	Spring—Arm return							x	x	x	1
76	4	AN430B2-3	Rivet, cut to 1/8 in. lg (EA-1529)							x	x	x	2
75	1B	EA-1510	Stem Assembly							x	x	x	1
76	5	EA-6510	Stem with contact point							x	x	x	1
76	5A	EA-1554	Stem							x	x	x	1
76	5B	EA-1567-1	Contact							x	x	x	1
76	6	EA-1557	Retainer—Diagram							x	x	x	1
76	7	EA-1566	Diaphragm							x	x	x	1
76	8	Comm	Cord—Waxed, dental floss, Johnson and Johnson (EA-7920)							x	x	x	1
75	1C	EA-1656	Shaft—Stem							x	x	x	1
75	2	EA-1555	Arm—Contact							x	x	x	1
75	3	EA-1569	Pin—Contact arm							x	x	x	1
75	4	EA-1646	Cover Assembly							x	x	x	1
75	4A	EA-1643	Cover							x	x	x	1
75	4B	EA-1647-1	Contact							x	x	x	1
75	4C	EA-1655	Strip—Connection							x	x	x	1
75	4D	Comm	Pin—Bank No. 5 (EA-3924)							x	x	x	1
73	11	AN515B3-4	Screw, RH 3 48 x 1/4 in.							x	x	x	1
73	12	EA-1657	Spacer							x	x	x	1
73	13	AN515B3-5	Screw, RH 3 48 x 5/16 in.							x	x	x	1
87	6	EA-1583	Pad—Insulating	x	x	x	x	x	x	x	x	x	1
87	7	EA-1203	Seal Assembly—Bellows	x	x	x	x	x	x	x	x	x	1
79	1	EA-1445	Bellows	x	x	x	x	x	x	x	x	x	1
79	2	EA-6507	Holder Assembly—Bellows	x	x	x	x	x	x	x	x	x	1
79	2A	EA-1232	Lever—Bellows	x	x	x	x	x	x	x	x	x	1
79	2B	EA-1446	Holder—Bellows	x	x	x	x	x	x	x	x	x	1
79	2C	EA-1233	Pin	x	x	x	x	x	x	x	x	x	1
79	2D	EA-1274	Pin—Locating	x	x	x	x	x	x	x	x	x	1
79	3	EA-1236	Stud—Bearing	x	x	x	x	x	x	x	x	x	1
79	4	EA-6503	Link Assembly	x	x	x	x	x	x	x	x	x	1
79	4A	EA-1235	Link	x	x	x	x	x	x	x	x	x	1
79	4B	EA-1237	Screw	x	x	x	x	x	x	x	x	x	1
79	4C	EA-1238	Washer	x	x	x	x	x	x	x	x	x	1
79	4D	EA-1239	Nut	x	x	x	x	x	x	x	x	x	1
87	8	EA-1511-51-1	Housing							x			1
87	8	EA-1511-51-3	Housing							x	x		1
87	8	EA-1511-51-4	Housing										1
87	8	EA-1511-52-3	Housing	x									1
87	9	EA-4546-1	Gasket							x			1
87	10	EA-1584	Block—Mounting	x	x								1
87	10	EA-4542	Block—Mounting							x			1
87	10	EA-1546	Block—Mounting							x	x		1
87	11	EA-4525	Gasket	x	x					x			1
87	12	AND10066-14S-1P	Receptacle							x			1
87	12	E-1003-3-20	Receptacle										1
87	12	WK-4-32S	Receptacle	x	x					x	x		1
87	13	AN935B4	Washer—Lock							x	x	x	4
87	14	AN500B4-5	Screw, fil hd 4 40 x 5/16 in.	x	x	x	x	x	x	x	x	x	4
87	15	AN505B5-8	Screw, FH 5 40 x 1/2 in.	x	x	x	x	x	x	x	x	x	2
87	16	EA-1242	Nut	x	x	x	x	x	x	x	x	x	1
87	17	AN430-2-4	Rivet	x	x	x	x	x	x	x	x	x	1
87	18	EA-1246	Arm	x	x	x	x	x	x	x	x	x	1
87	19	AN960B10	Washer	x	x	x	x	x	x	x	x	x	1

RESCINDED

Fig. No.	Index No.	Part No.	Nomenclature							EA-15AW-213	EA-15AW-444	Units Per Assy
			1	2	3	4	5	6	7			
TANK UNIT												
87	5	EA-1505S-1								x	x	1
72	2	EA-1521								x	x	1
73	3	EA-1505S								x	x	1
87	8	EA-1511-52-1								x	x	1
87	9	EA-4546-1								x	x	1
87	10	EA-1542								x	x	1
87	11	EA-4525								x	x	1
87	12	EA-4510A								x	x	1
87	21	EA-1205-159								x	x	1
87	27	EA-9901-52								x	x	1
87	28	EA-1252-226								x		1
87	28	EA-1252-316									x	1
87	30	EA-1255A								x	x	1
87	37	EA-8525								x	x	1

ALL OTHER PARTS TO COMPLETE TANK
UNIT FOUND ON FIGURE 87

Section II
Group Assembly Parts List

Fig. No.	Index No.	Part No.	Nomenclature							Units Per Assy
			1	2	3	4	5	6	7	
		EA-15A-215	Tank Unit Assembly							
87	5	EA-1502-1	Potentiometer Assembly							1
87	5	EA-1502S-1	Potentiometer Assembly (Not Used)							
87	8	EA-1511-52-1	Housing							1
87	9	EA-4546-1	Gasket							1
87	10	EA-4543	Block—Mounting							1
87	11	EA-4525	Gasket							1
87	12	EA-4509A	Receptacle							1
87	13	AN935B4	Washer—Lock							4
87	14	AN500B4-5	Screw							4
87	15	AN505B5-8	Screw							2
87	22	EA-1519	Guide—String (Not Used)							
87	21	EA-1205-108	Pipe Assembly—Fulcrum							1
87	26	EA-1289-10	Rod—Operating							1
87	28	EA-1252-279	Arm—Float							1
85	32	EA-1291M	Float							1
87	30	EA-1255A	Fork—Float with bushing (Not Used)							
87	31	EA-1255-119-1A	Fork—Float with bushing (Not Used)							
87	32	EA-1257	Washer (Not Used)							
87	33	EA-1294	Float Assembly (Not Used)							
87	34	EA-1256	Float Assembly (Not Used)							
87	35	EA-1257-1	Washer (Not Used)							
87	36	EA-1536	Float (Not Used)							
87	37	EA-8529	Fulcrum							1
115	46	EA-6592	Clamp—Float stop							1
115	47	EA-6593	Bracket—Float stop							1
115	48	EA-6555	Arm—Float stop							1
115	49	AN430-4-5	Rivet							4
115	50	AN935B10	Lock—Washer							2
115	51	AN340B10	Nut							2
115	52	Comm.	Screw—Binding H. No. 10-32 x 1/2 in.							2

ALL OTHER PARTS TO COMPLETE TANK UNIT
FOUND ON FIGURE 87

Fig. No.	Index No.	Part Number	Nomenclature				Units Per Assy.	
			1	2	3	4	EA-15A-342	EA-15A-494
TANK UNIT								
84	1	EA-8540						1
84	2A	EA-8544					x	2
84	3A	EA-8559					x	2
85	4	EA-8541-1					x	1
87	4	EA-8542					x	2
87	5	EA-1502-1					x	x
72	2	EA-1521					x	x
71	3	EA-1505					x	x
87	8	EA-1511-52-1					x	1
87	8	EA-1511-53-1						x
87	11	EA-4525					x	x
87	10	EA-56543-1					x	1
87	10	EA-4543						x
87	9	EA-4546-2					x	x
87	12	EA-4509A					x	x
87	21	EA-1205-113					x	x
87	26	EA-8589					x	x
87	27	EA-1252-300					x	x
87	31	EA-1255A-119A-1					x	x
87	35	EA-1257-1					x	x
87	36	EA-1536					x	x
87	37	EA-8525						
87	22	EA-1519						

ALL OTHER PARTS TO COMPLETE TANK UNITS
FOUND ON FIGURE 87

RESCINDED

Fig. No.	Index No.	Part No.	Nomenclature								Units Per Assy		
				1	2	3	4	5	6	7			
87	20	AN345B10	Nut, hex.										
87	21	EA-1205-113	Pipe Assembly—Fulcrum	x	x								1
87	21	EA-1205-127	Pipe Assembly—Fulcrum	x	x								1
87	21	EA-1205-200	Pipe Assembly—Fulcrum					x					1
87	21	EA-1205-201	Pipe Assembly—Fulcrum						x				1
77	1	EA-1259-113	Pipe—Fulcrum									x	1
77	1	EA-1259-127	Pipe—Fulcrum	x	x					x			1
77	1	EA-1259-200	Pipe—Fulcrum					x					1
77	1	EA-1259-201	Pipe—Fulcrum						x				1
77	2	EA-1260	Stud—Fulcrum									x	1
77	3	EA-1591B	Plug—Fulcrum	x	x	x	x	x	x	x	x	x	1
87	22	EA-1519	Guide—String	x	x	x	x	x	x	x	x	x	1
87	23	AN430-4-18	Rivet							x	x		1
87	24	EA-1258	Pin—Operating	x	x	x	x	x	x	x	x	x	1
87	25	8227	Washer	x	x	x	x	x	x	x	x	x	1
87	26	EA-8589	Rod—Operating	x	x	x	x	x	x	x	x	x	2
87	26	EA-1289-5	Rod—Operating										1
87	27	EA-9901-7	Rod Assembly Operating					x			x	x	1
87	27	EA-9901-90	Rod Assembly Operating									x	1
77	4	EA-1247	Extension—Operating rod										1
77	5	EA-1253-107	Rod—Operating						x			x	1
77	5	EA-1253-190	Rod—Operating							x			1
77	6	EA-8550	Link—Operating rod										1
77	7	AN430D2-6	Rivet						x			x	1
87	28	EA-1252-178	Arm—Float						x			x	2
87	28	EA-1252-219	Arm—Float										1
87	28	EA-1252-228	Arm—Float	x	x								1
87	28	EA-1252-242	Arm—Float										1
87	28	EA-1252-329	Arm—Float					x					1
87	29	AN380B2-6	Pin—Cotter										1
87	30	EA-1255A	Fork—Float with Bushing	x	x	x	x	x	x	x	x	x	1
87	31	EA-1255-119-1A	Fork—Float with Bushing	x	x	x	x	x	x	x	x	x	1
78	12	EA-1255	Fork—Float										1
78	13	EA-1255-119-1	Fork—Float	x	x	x	x	x	x	x	x	x	1
78	14	EA-1254	Bushing										1
87	32	EA-1257	Washer	x	x	x	x	x	x	x	x	x	1
87	33	EA-1294	Float Assembly	x	x	x	x	x	x	x	x	x	2
78	1	EA-1270	Float	x	x								1
78	2	EA-1280	Bearing	x	x								1
78	3	EA-1268	Bushing	x	x								1
78	4	EA-1269-1	Weight	x	x								2
87	34	EA-1256	Float Assembly	x	x								1
78	5	EA-1625	Shell Float					x	x				1
78	6	EA-1626	End-Float										1
78	7	EA-1280	Bearing					x	x				2
78	8	EA-1080	Weight					x	x				1
87	35	EA-1257-1	Washer					x	x				1
87	36	EA-1536	Float										2
87	37	EA-8525	Fulcrum										1
87	37	EA-8529	Fulcrum	x	x	x	x	x	x	x	x	x	1
87	38	EA-1245	Pin—Operating rod link										1
87	39	AN960B8	Washer	x	x	x	x	x	x	x	x	x	1
87	40	Comm	Pin—Locking (copper) No. 18 B & S ga x 3/8 in lg (EA-1229)	x	x	x	x	x	x	x	x	x	1
87	41	Comm	Rivet, Stimpson No. H-149 brass (EA-8530)	x	x	x	x	x	x	x	x	x	2
87	42	8229	Rivet	x	x	x	x	x	x	x	x	x	1
87	43	EA-1278	Plate—Name	x	x	x	x	x	x	x	x	x	1
87	17	AN430-2-4	Rivet	x	x	x	x	x	x	x	x	x	1
87	44	8262	Gasket	x	x	x	x	x	x	x	x	x	2

Section II
Group Assembly Parts List

EO 20-85BA-4

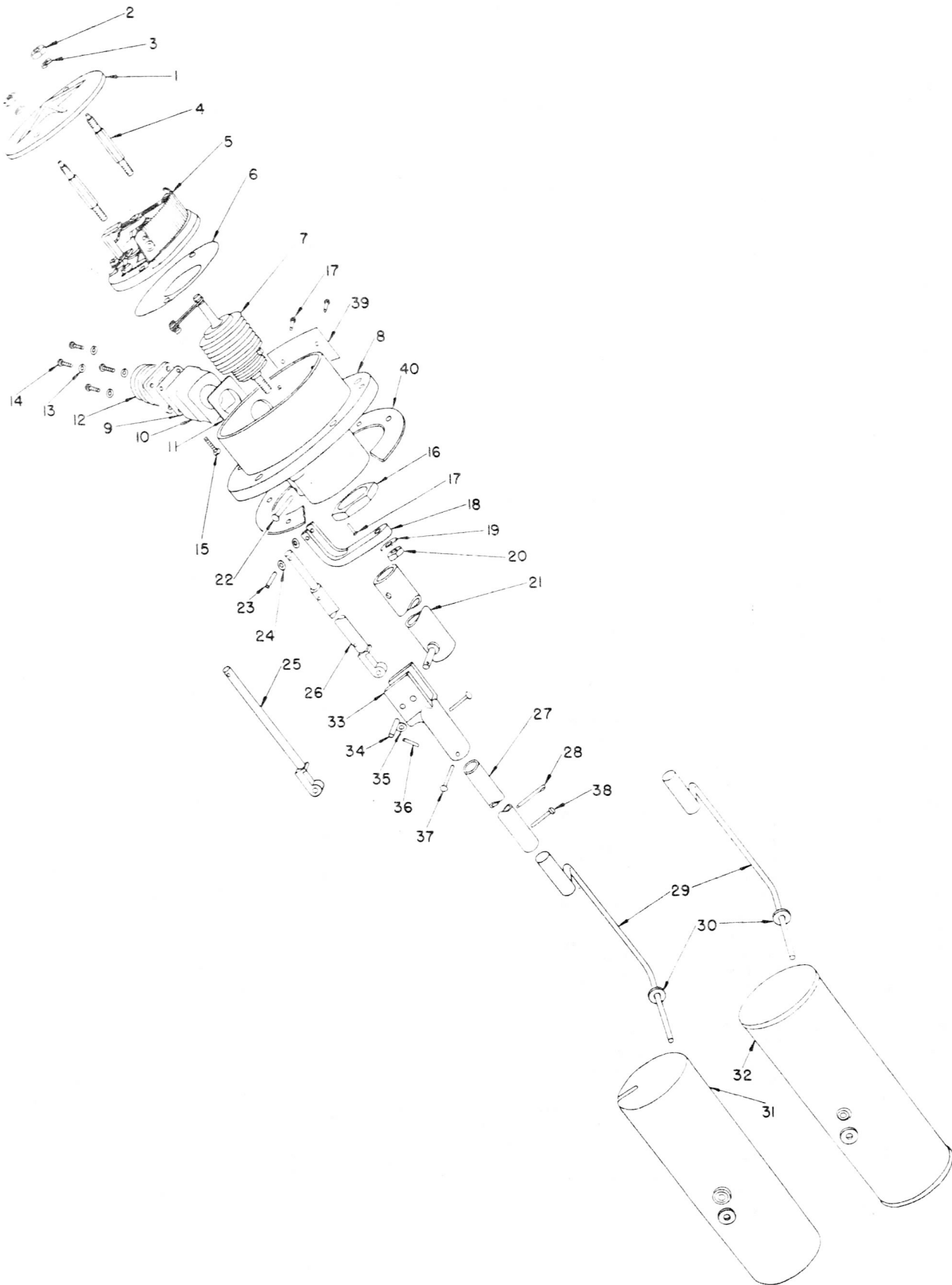


Figure 88—Tank Unit EA-15A and EA-15AW

Fig. No.	Index No.	Part No.	Nomenclature	1 2 3 4 5 6 7						EA-15A-28-0-2003	EA-15AW-VS-06-45-1005	Units Per Assy
			Tank Unit Assembly									
88	1	EA-1525	Cover—Housing						x		1	
88	2	AN340B8	Nut						x		2	
88	3	AN935B8	Washer—Lock						x		2	
88	4	EA-1542	Stud						x		1	
88	5	EA-1502-1	Potentiometer Assembly						x		1	
71	1	EA-1504-1	Base Assembly—Potentiometer						x		1	
72	1	EA-1512	Base						x		1	
72	2	EA-1521	Resistor						x		1	
72	3	Comm	Eyelet, Stimpson Co. Part No. A-1177 (EA-1548)						x		2	
72	4	EA-1516	Shaft						x		1	
72	5	EA-1524	Lever—Adjustment R—						x		1	
72	6	EA-1527	Lever—Adjustment R+						x		1	
72	7	EA-1522	Washer						x		1	
72	8	EA-1523	Bushing						x		3	
72	9	EA-1526	Eccentric—Adjustment						x		1	
72	10	EA-1576	Stud						x		2	
71	2	EA-1257	Washer						x		1	
71	3	EA-1505	Arm Assembly—Contact						x		2	
71	3A	EA-1514	Arm—Contact						x		1	
71	3B	EA-1658	Shoe—Contact arm						x		1	
71	3C	EA-1631	Blade—Contact arm						x		1	
71	3D	EA-1550	Washer—Spring						x		1	
71	3E	Comm	Eyelet, Waterbury Co. Part No. 9966 (EA-1518)						x		1	
71	3F	EA-1582	Washer						x		1	
71	4	EA-1575	Spring						x		1	
71	5	Comm	Pin—Locking (copper) No. 18 B & S ga x 3/8 in. lg (EA-1229)						x		1	
71	6	EA-1520	Contact—Contact arm						x		1	
71	7	660-51	Lug—Solder						x		1	
71	8	AN935B6	Washer—Lock						x		1	
71	9	AN520B6-4	Screw, RH 6 40 x 1/4 in.						x		1	
88	5	EA-1502S-1	Potentiometer Assembly						x		1	
73	1	EA-1504-1	Base Assembly—Potentiometer						x		1	
72	1	EA-1512	Base						x		1	
72	2	EA-1521	Resistor						x		1	
72	3	Comm	Eyelet, Stimson Co. Part No. A-1177 (EA-1548)						x		2	
72	4	EA-1516	Shaft						x		1	
72	5	EA-1524	Lever—Adjustment R—						x		1	
72	6	EA-1527	Lever—Adjustment R+						x		1	
72	7	EA-1522	Washer						x		1	
72	8	EA-1523	Bushing						x		3	
72	9	EA-1526	Eccentric—Adjustment						x		1	
72	10	EA-1576	Stud						x		2	
73	2	EA-1257	Washer						x		1	
73	3	EA-1505S	Arm—Contact and Switch Arm Assembly						x		2	
73	3A	EA-1505	Arm Assembly—Contact						x		1	
71	3A	EA-1514	Arm—Contact						x		1	
71	3B	EA-1658	Shoe—Contact arm						x		1	
71	3C	EA-1631	Blade—Contact arm						x		1	
71	3D	EA-1550	Washer—Spring						x		1	
71	3E	Comm	Eyelet, Waterbury Co. Part No. 9966 (EA-1518)						x		1	
71	3F	EA-1582	Washer						x		1	
73	3B	Comm	Eyelet, Waterbury Co. Part No. 9966 (EA-1518)						x		1	
73	3C	EA-1559	Arm—Switch contact						x		1	
73	3D	EA-1550	Washer—Spring						x		1	
73	4	EA-1575	Spring						x		1	
73	5	Comm	Pin—Locking (copper) No. 18 B & S ga x 3/8 in. lg (EA-1229)						x		1	
73	6	EA-1520	Contact—Contact arm						x		1	
73	7	660-51	Lug—Solder						x		1	
73	8	AN935B6	Washer—Lock						x		1	
73	9	AN520B6-4	Screw, RH 6 40 x 1/4 in.						x		1	
73	10	EA-1508	+Switch Assembly—Warning						x		1	
75	1	EA-6511	Housing and Stem Assembly						x		1	

RESCINDED

Section II
Group Assembly Parts List

EO 20-85BA-4

Fig. No.	Index No.	Part No.	Nomenclature	EA-15.AW-VS-06-		Units Per Assy
				EA-15.A-28-0-2003	45-1005	
75	1A	EA-1645	Housing Assembly		x	1
76	1	EA-1641	Housing—Warning switch		x	1
76	2	EA-1598	Plate—Stop		x	1
76	3	EA-1556	Spring—Arm return		x	1
76	4	AN430B2-3	Rivet, cut to 1/8 in (EA-1529)		x	2
75	1B	EA-1510	Stem Assembly		x	1
76	5	EA-6510	Stem with contact point		x	1
76	5A	EA-1554	Stem		x	1
76	5B	EA-1567-1	Contact		x	1
76	6	EA-1557	Retainer—Diaphragm		x	1
76	7	EA-1566	Diaphragm		x	1
76	8	Comm	Cord—Waxed, dental floss, Johnson and Johnson Co. (EA-7920)		x	1
75	1C	EA-1656	Shaft—Stem		x	1
75	2	EA-1555	Arm—Contact		x	1
75	3	EA-1569	Pin—Contact arm		x	1
75	4	EA-1646	Cover Assembly		x	1
75	4A	EA-1643	Cover		x	1
75	4B	EA-1647-1	Contact		x	1
75	4C	EA-1655	Strip—connection		x	1
75	4D	Comm	Pin—Bank No. 5 (EA-3924)		x	1
73	11	AN515B3-4	Screw, RH 3 48 x 1/4 in.		x	1
73	12	EA-1657	Spacer		x	1
73	13	AN515B3-5	Screw, RH 3 48 x 5/16 in.		x	1
88	6	EA-1583	Pad—Insulating	x	x	1
88	7	EA-1203	†Seal Assembly—Bellows	x	x	1
79	1	EA-1445	Bellows	x	x	1
79	2	EA-6507	Holder Assembly—Bellows	x	x	1
79	2A	EA-1232	Lever—Bellows	x	x	1
79	2B	EA-1446	Holder—Bellows	x	x	1
79	2C	EA-1233	Pin	x	x	1
79	2D	EA-1274	Pin—Locating	x	x	1
79	3	EA-1236	Stud—Bearing	x	x	1
79	4	EA-6503	Link Assembly	x	x	1
79	4A	EA-1235	Link	x	x	1
79	4B	EA-1237	Screw	x	x	1
79	4C	EA-1238	Washer	x	x	1
79	4D	EA-1239	Nut	x	x	1
88	8	EA-1511-52-1	Housing	x		1
88	8	EA-1511-52-6	Housing		x	1
88	9	EA-4546-1	Gasket	x	x	1
88	10	EA-4542	Block—Mounting	x	x	1
88	11	EA-4525	Gasket	x	x	1
88	12	AND10066-12S-3P	Receptacle	x		1
88	12	AND10066-14S-1P	Receptacle		x	1
88	13	AN935B4	Washer—Lock	x	x	4
88	14	AN500B4-5	Screw, fil hd 4 40 x 5/16 in.	x	x	4
88	15	AN505B5-8	Screw, FH 5 40 x 1/2 in.	x	x	2
88	16	EA-1242	Nut	x	x	1
88	17	AN430-2-4	Rivet	x	x	1
88	18	EA-1246	Arm	x	x	1
88	19	AN960B10	Washer	x	x	1
88	20	AN345B10	Nut, hex	x	x	1
88	21	EA-1205-113	Pipe Assembly—Fulcrum	x		1
88	21	EA-1205-159	Pipe Assembly—Fulcrum		x	1
77	1	EA-1259-113	Pipe—Fulcrum	x		1
77	1	EA-1259-159	Pipe—Fulcrum		x	1
77	2	EA-1260	Stud—Fulcrum	x	x	1
77	3	EA-1591B	Plug—Fulcrum	x	x	1
88	22	AN430-4-18	Rivet	x	x	1
88	23	EA-1258	Pin—Operating	x	x	1
88	24	8227	Washer	x	x	2
88	25	EA-8589	Rod—Operating	x		1
88	26	EA-9901-52	Rod Assembly—Operating		x	1
77	4	EA-1247	Extension—Operating rod		x	1
77	5	EA-1253-152	Rod—Operating		x	1
77	6	EA-8550	Link—Operating rod		x	1
77	7	AN430D2-6	Rivet		x	1
88	27	EA-1252-316	Arm—Float		x	1

RESCINDED

EO 20-85BA-4

Section II
Group Assembly Parts List

No. Fig.	No. Index	Part No.	Nomenclature	1 2 3 4 5 6 7							EA-15A-18-0-2003		EA-15AW-VS-06-45-1005	Units Per Assy
88	27	EA-1252-348	Arm-Float											1
88	28	AN380B2-2	Pin-Cotter							x				1
88	29	EA-1255A	Fork-Float with Bushing							x	x			1
78	12	EA-1255	Fork-Float							x	x			1
78	14	EA-1254	Bushing							x	x			1
88	30	EA-1257	Washer							x	x			1
88	31	EA-1294	Float Assembly								x			2
78	1	EA-1270	Float								x			1
78	2	EA-1280	Bearing								x			1
78	3	EA-1268	Bushing								x			1
78	4	EA-1269-1	Weight								x			2
88	32	EA-1256	Float Assembly								x			1
78	5	EA-1625	Shell-Float						x					1
78	6	EA-1626	End-Float						x					1
78	7	EA-1280	Bearing						x					2
78	8	EA-1080	Weight						x					1
88	33	EA-8525	Fulcrum						x					1
88	34	EA-1245	Pin-Operating rod link						x		x			1
88	35	AN960B8	Washer						x		x			1
88	36	Comm	Pin-Locking (copper) No. 18 B & S ga x 3/8 in. lg (EA-1229)						x		x			1
88	37	Comm	Rivet, Stimpson No. H-149 Brass (EA-8530)						x		x			2
88	38	8229	Rivet						x		x			1
88	39	EA-1278	Plate-Name						x		x			1
88	17	AN430-2-4	Rivet						x		x			2
88	40	8262	Gasket						x		x			1



Fig. No.	Index No.	Part No.	Nomenclature	1 2 3 4 5 6 7							EA-15AW-4062359	EA-15AW-4062365	Units Per Assy
			Tank Unit Assembly										
89	1	EA-1525	Cover-Housing							x	x		1
89	2	AN340B8	Nut							x	x		2
89	3	AN935B8	Washer-Lock							x	x		2
89	4	EA-1542	Stud							x	x		2
89	5	EA-1502S-1	Potentiometer Assembly							x	x		1
73	1	EA-1504-1	Base Assembly-Potentiometer							x	x		1
72	1	EA-1512	Base							x	x		1
72	2	EA-1521	Resistor							x	x		1
72	3	Comm	Eyelet, Stimpson Co. Part No. A-1177 (EA-1548)							x	x		2
										x	x		1
72	4	EA-1516	Shaft							x	x		1
72	5	EA-1524	Lever-Adjustment R-							x	x		1
72	6	EA-1527	Lever-Adjustment R+							x	x		1
72	7	EA-1522	Washer							x	x		1
72	8	EA-1523	Bushing							x	x		3
72	9	EA-1526	Eccentric-Adjustment							x	x		1
72	10	EA-1576	Stud							x	x		2
73	2	EA-1257	Washer							x	x		1
73	3	EA-1505S	Arm-Contact and switch arm assembly							x	x		2
73	3A	EA-1505	Arm Assembly-Contact							x	x		1
71	3A	EA-1514	Arm-Contact							x	x		1
71	3B	EA-1658	Shoe-Contact arm							x	x		1
71	3C	EA-1631	Blade-Contact arm							x	x		1
71	3D	EA-1550	Washer-Spring							x	x		1
71	3E	Comm	Eyelet, Waterbury Co. Part No. 9966 (EA-1518)							x	x		1
71	3F	EA-1582	Washer							x	x		1

Section II
Group Assembly Parts List

EO 20-85BA-4

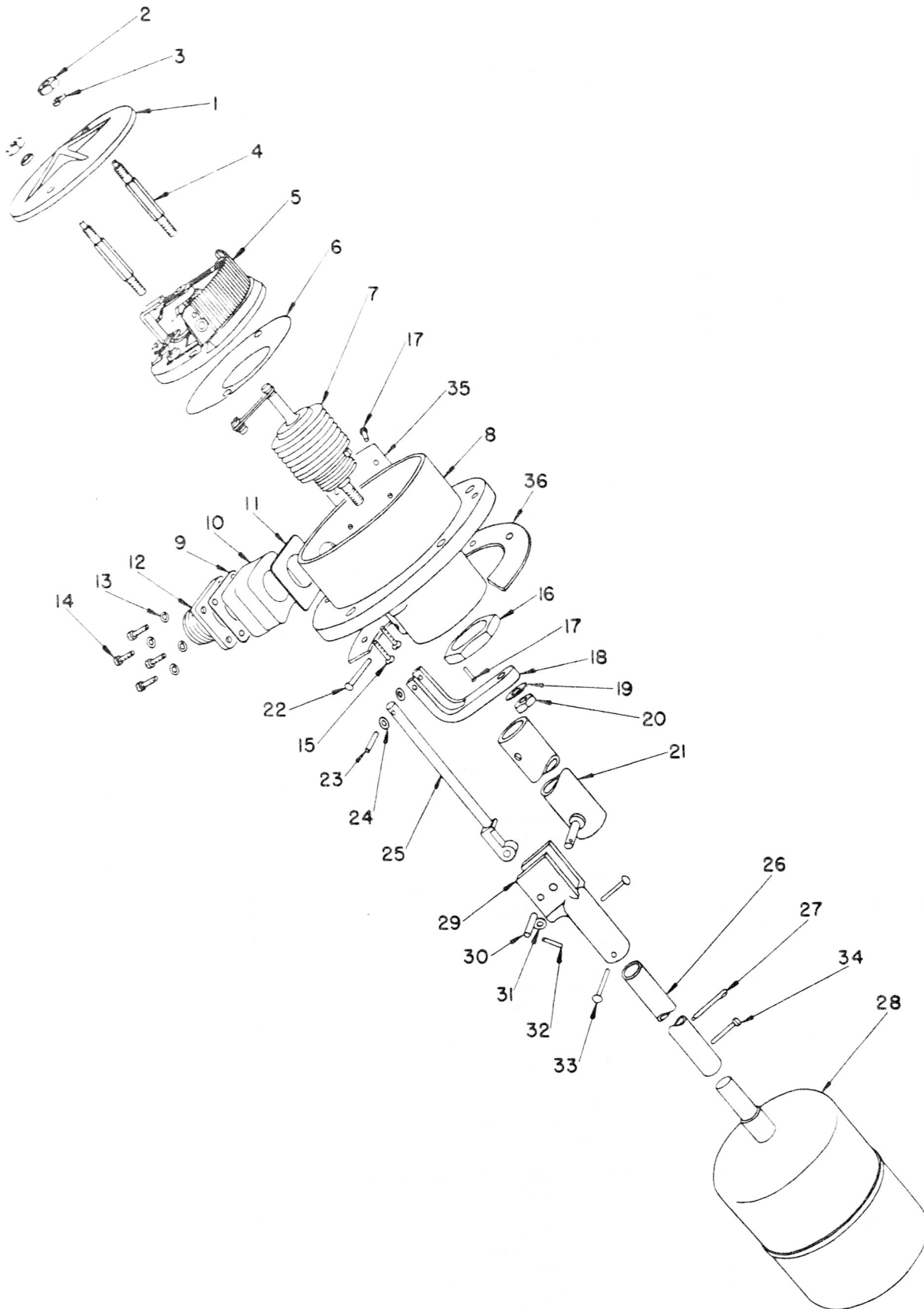


Figure 89—Tank Unit EA-15AW

RESCINDED

EO 20-85BA-4

Section II
Group Assembly Parts List

Fig. No.	Index No.	Part No.	Nomenclature	EA-15.AW-4062359		EA-15.AW-4062365		Units Per Assy
				1	2	3	4	
73	3B	Comm	Eyelet, Waterbury Co. Part No. 9966 (EA-1518)	x		x		1
73	3C	EA-1559	Arm—Switch contact	x		x		1
73	3D	EA-1550	Washer—Spring	x		x		1
73	4	EA-1575	Spring	x		x		1
73	5	Comm	Pin—Locking (copper) No. 18 B & S ga x 3/8 in. lg (EA-1229)	x		x		1
73	6	EA-1520	Contact—Contact arm	x		x		1
73	7	660-51	Lug—Solder	x		x		1
73	8	AN935B6	Washer—Lock	x		x		1
73	9	AN520B6-4	Screw, RH 6 40 x 1/4 in.	x		x		1
73	10	EA-1508	Switch Assembly—Warning	x		x		1
75	1	EA-6511	Housing and Stem Assembly	x		x		1
75	1A	EA-1645	Housing Assembly	x		x		1
76	1	EA-1641	Housing—Warning switch	x		x		1
76	2	EA-1598	Plate—Stop	x		x		1
76	3	EA-1556	Spring—Arm return	x		x		1
76	4	AN430B2-3	Rivet, cut to 1/8 in. (EA-1529)	x		x		1
75	1B	EA-1510	Stem Assembly	x		x		2
76	5	EA-6510	Stem with contact point	x		x		1
76	5A	EA-1554	Stem	x		x		1
76	5B	EA-1567-1	Contact	x		x		1
76	6	EA-1557	Retainer—Diaphragm	x		x		1
76	7	EA-1566	Diaphragm	x		x		1
76	8	Comm	Cord—Waxed, dental floss, Johnson and Johnson Co. (EA-7920)	x		x		1
75	1C	EA-1656	Shaft—Stem	x		x		1
75	2	EA-1555	Arm—Contact	x		x		1
75	3	EA-1569	Pin—Contact arm	x		x		1
75	4	EA-1646	Cover Assembly	x		x		1
75	4A	EA-1643	Cover	x		x		1
75	4B	EA-1647-1	Contact	x		x		1
75	4C	EA-1655	Strip—connection	x		x		1
75	4D	Comm	Pin—Bank No. 5 (EA-3924)	x		x		1
73	11	AN515B3-4	Screw, RH 3 48 x 1/4 in.	x		x		1
73	12	EA-1657	Spacer	x		x		1
73	13	AN515B3-5	Screw, RH 3 48 x 5/16 in.	x		x		1
89	6	EA-1583	Pad—Insulating	x		x		1
89	7	EA-1203	†Seal Assembly—Bellows	x		x		1
79	1	EA-1445	Bellows	x		x		1
79	2	EA-6507	Holder Assembly—Bellows	x		x		1
79	2A	EA-1232	Lever—Bellows	x		x		1
79	2B	EA-1446	Holder—Bellows	x		x		1
79	2C	EA-1233	Pin	x		x		1
79	2D	EA-1274	Pin—Locating	x		x		1
79	3	EA-1236	Stud—Bearing	x		x		1
79	4	EA-6503	Link Assembly	x		x		1
79	4A	EA-1235	Link	x		x		1
79	4B	EA-1237	Screw	x		x		1
79	4C	EA-1238	Washer	x		x		1
79	4D	EA-1239	Nut	x		x		1
89	8	EA-1511-86-3	Housing	x		x		1
89	9	EA-4546-1	Gasket	x		x		1
89	10	EA-4542	Block—Mounting	x		x		1
89	11	EA-4525	Gasket	x		x		1
89	12	AND10066-14S-1P	Receptacle	x		x		1
89	13	AN935B4	Washer—Lock	x		x		1
89	14	AN500B4-5	Screw, fl hd 4-40 x 5/16 in.	x		x		4
89	15	AN505B5-8	Screw, FH 5 40 x 1/2 in.	x		x		4
89	16	EA-1242	Nut	x		x		2
89	17	AN430-2-4	Rivet	x		x		1
89	18	EA-1246	Arm	x		x		1
89	19	AN960B10	Washer	x		x		1
89	20	AN345B10	Nut, hex	x		x		1
89	21	EA-1205-113	Pipe Assembly—Fulcrum	x		x		1
77	1	EA-1259-113	Pipe—Fulcrum	x		x		1
77	2	EA-1260	Stud—Fulcrum	x		x		1
77	3	EA-1591B	Plug—Fulcrum	x		x		1

Section II
Group Assembly Parts List

Fig. No.	Index No.	Part No.	Nomenclature							EA-15AW-4062359	EA-15AW-4062365	Units Per Assy
			1	2	3	4	5	6	7			
89	22	AN430-4-18								x	x	1
89	23	EA-1258								x	x	1
89	24	8227								x	x	2
89	25	EA-8589								x	x	1
89	26	EA-1252-328								x	x	1
89	26	EA-1252-330								x	x	1
89	27	AN380B2-2								x	x	1
89	28	EA-1291M								x	x	1
78	9	EA-1291-1								x	x	1
78	10	EA-1291-2								x	x	1
78	11	EA-1292								x	x	1
78	11A	EA-1240								x	x	1
78	11B	EA-1241								x	x	1
78	11C	EA-1281								x	x	1
89	29	EA-8525								x	x	1
89	30	EA-1245								x	x	1
89	31	AN960B8								x	x	1
89	32	Comm								x	x	1
89	33	Comm								x	x	2
89	34	8229								x	x	1
89	35	EA-1278								x	x	1
89	17	AN430-2-4								x	x	2
89	36	8262								x	x	1



Fig. No.	Index No.	Part No.	Nomenclature							EA-15AW-162B5748	Units Per Assy	
			1	2	3	4	5	6	7			
90	1	EA-1594									x	1
90	2	AN340B8									x	2
90	3	AN935B8									x	2
90	4	EA-1587									x	1
90	5	EA-1586									x	1
90	6	EA-1542									x	2
90	7	EA-1502S-1									x	1
73	1	EA-1504-1									x	1
72	1	EA-1512									x	1
72	2	EA-1521									x	1
72	3	Comm									x	2
72	4	EA-1516									x	1
72	5	EA-1524									x	1
72	6	EA-1527									x	1
72	7	EA-1522									x	3
72	8	EA-1523									x	1
72	9	EA-1526									x	2
72	10	EA-1576									x	1
73	2	EA-1257									x	2
73	3	EA-1505S									x	1
73	3A	EA-1505									x	1
71	3A	EA-1514									x	1
71	3B	EA-1658									x	1
71	3C	EA-1631									x	1
71	3D	EA-1550									x	1
71	3E	Comm									x	1
71	3F	EA-1582									x	1
73	3B	Comm									x	1

RESCINDED

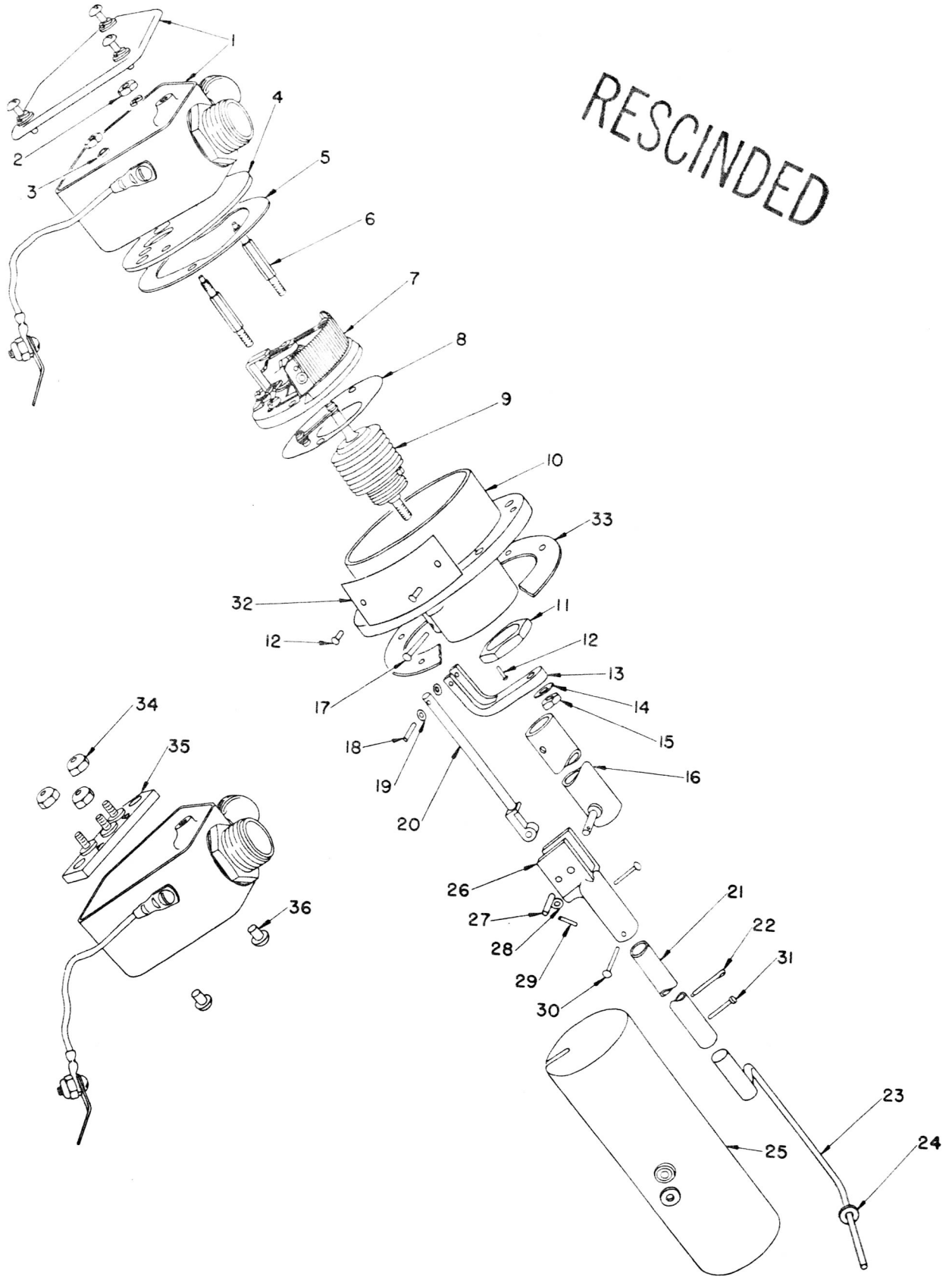


Figure 90—Tank Unit EA-15AW

Section II

Group Assembly Parts List

Fig. No.	Index No.	Part No.	Nomenclature	EA-15AW-162B5748							Units Per Assy
				1	2	3	4	5	6	7	
73	3C	EA-1559	Arm—Switch contact							x	1
73	3D	EA-1550	Washer—Spring							x	1
73	4	EA-1575	Spring							x	1
73	5	Comm	Pin—Locking (copper) No. 18 B & S dia x 3/8 in. lg (EA-1229)							x	1
73	6	EA-1520	Contact—Contact arm							x	1
73	7	660-51	Lug—Solder							x	1
73	8	AN935B6	Washer—Lock							x	1
73	9	AN502B6-4	Screw, RH 6 40 x 1/4 in.							x	1
73	10	EA-1508	+Switch Assembly—Warning							x	1
75	1	EA-6511	Housing and Stem Assembly							x	1
75	1A	EA-1645	Housing Assembly							x	1
76	1	EA-1641	Housing—Warning switch							x	1
76	2	EA-1598	Plate—Stop							x	1
76	3	EA-1556	Spring—Arm return							x	1
76	4	AN430B2-3	Rivet, cut to 1/8 in. (EA-1529)							x	2
75	1B	EA-1510	Stem Assembly							x	1
76	5	EA-6510	Stem with contact point							x	1
76	5A	EA-1554	Stem							x	1
76	5B	EA-1567-1	Contact							x	1
76	6	EA-1557	Retainer—Diaphragm							x	1
76	7	EA-1566	Diaphragm							x	1
76	8	Comm	Cord—Waxed, dental floss, Johnson and Johnson Co.							x	1
75	1C	EA-1656	Shaft—Stem							x	1
75	2	EA-1555	Arm—Contact							x	1
75	3	EA-1569	Pin—Contact arm							x	1
75	4	EA-1646	Cover Assembly							x	1
75	4A	EA-1643	Cover							x	1
75	4B	EA-1647-1	Contact							x	1
75	4C	EA-1655	Strip—Connection							x	1
75	4D	Comm	Pin—Bank No. 5 (EA-3924)							x	1
73	11	AN515B3-4	Screw, RH 3 48 x 1/4 in.							x	1
73	12	EA-1657	Spacer							x	1
73	13	AN515B3-5	Screw, RH 3 48 x 5/16 in.							x	1
90	8	EA-1583	Pad—Insulating							x	1
90	9	EA-1203	+Seal Assembly—Bellows							x	1
79	1	EA-1445	Bellows							x	1
79	2	EA-6507	Holder Assembly—Bellows							x	1
79	2A	EA-1232	Lever—Bellows							x	1
79	2B	EA-1446	Holder—Bellows							x	1
79	2C	EA-1233	Pin							x	1
79	2D	EA-1274	Pin—Locating							x	1
79	3	EA-1236	Stud—Bearing							x	1
79	4	EA-6503	Link Assembly							x	1
79	4A	EA-1235	Link							x	1
79	4B	EA-1237	Screw							x	1
79	4C	EA-1238	Washer							x	1
79	4D	EA-1239	Nut							x	1
90	10	EA-1511-50-1	Housing							x	1
90	11	EA-1242	Nut							x	1
90	12	AN430-2-4	Rivet							x	1
90	13	EA-1246	Arm							x	1
90	14	AN960B10	Washer							x	1
90	15	AN345B10	Nut, hex							x	1
90	16	EA-1205-113	Pipe Assembly—Fulcrum							x	1
77	1	EA-1259-113	Pipe—Fulcrum							x	1
77	2	EA-1260	Stud—Fulcrum							x	1
77	3	EA-1591B	Plug—Fulcrum							x	1
90	17	AN430-4-18	Rivet							x	1
90	18	EA-1258	Pin—Operating							x	1
90	19	8227	Washer							x	2
90	20	EA-8589	Rod—Operating							x	1
90	21	EA-1252-353	Arm—Float							x	1
90	22	AN380B2-2	Pin—Cotter							x	1
90	23	EA-1255A	Fork—Float with bushing							x	1
78	12	EA-1255	Fork—Float							x	1
78	14	EA-1254	Bushing							x	1
90	24	EA-1257	Washer							x	2
90	25	EA-1294	Float Assembly							x	1

Fig. No.	Index No.	Part No.	Nomenclature	EA-154W-162B5748		Units Per Assy
				1	2	
78	1	EA-1270	Float	x		1
78	2	EA-1280	Bearing	x		1
78	3	EA-1268	Bushing	x		2
78	4	EA-1269-1	Weight	x		1
90	26	EA-8525	Fulcrum	x		1
90	27	EA-1245	Pin—Operating rod link	x		1
90	28	AN960B8	Washer	x		1
90	29	Comm	Pin—Locking (copper) No. 18 B & S ga x 3/8 in. long (EA-1229)	x		1
90	30	Comm	Rivet, Stimpson No. H-149 brass (EA-8530)	x		2
90	31	8229	Rivet	x		1
90	32	EA-1278	Plate—Name	x		1
90	12	AN430-2-4	Rivet	x		2
90	33	8262	Gasket	x		1
90	34	AN365B832	Nut—Elastic stop—99TM82	x		3
90	35	EA-1588	Terminal—Block	x		1
90	36	AN240-3	Eyelet—Stimpson No. A-555	x		2

RESCINDED

Fig. No.	Index No.	Part No.	Nomenclature	EA-15WC-120090 EA-15WC-120091		Units Per Assy
				1	2	
			Tank Unit Assembly			
91	1	EA-16133	Cover Housing	x	x	1
91	2	EA-16141	Nut	x	x	2
91	3	EA-16142	Washer	x	x	2
91	4	EA-17638	Gasket	x	x	1
91	5	AN340B8	Nut	x	x	2
91	6	EA-16101-1	†Contactor Assembly	x	x	1
92	1	EA-16109	Base Assembly	x	x	1
93	1	EA-16111-1	Base	x	x	1
93	2	EA-16113	Arm—Lower Contact	x	x	1
93	3	EA-16137	Shoulder Bushing	x	x	2
93	4	Comm	Lug—Solder, Zierick No. 15 Part No. 142 (EA-7957)	x	x	1
93	5	Comm	Lug—Solder, Zierick No. 15 Part No. 148 (EA-7958)	x	x	1
93	6	302-20-2	Pin—Escutcheon	x	x	6
92	2	EA-16102-1	Contact Plate Assembly	x	x	1
94	1	EA-16112-1	Plate—Contact	x	x	1
94	2	EA-16140	Stud—Insert	x	x	1
94	3	EA-16145	Lug—Terminal	x	x	1
94	4	EA-16138	Insulator	x	x	1
94	5	EA-16139R	Strip—Upper Contact	x	x	1
94	5	EA-16139L	Strip—Upper Contact	x	x	1
94	6	EA-16108	Roller Assembly	x	x	1
94	6A	EA-16114	Bracket—Roller	x	x	1
94	6B	Comm	Pin—Bank No. 5 (EA-3924)	x	x	1
94	6C	EA-16117	Roller	x	x	1
94	7	302-20-2	Pin—Escutcheon	x	x	11
92	3	EA-16105	Differential Fork and Contact Assembly	x	x	1
95	1	EA-16103	Differential Assembly	x	x	1
95	1A	EA-16107	Differential Lock Arm Assembly	x	x	1
95	1B	EA-16123	Arm—Lock Differential	x	x	1
95	1C	EA-16124	Nut—Lock Arm	x	x	1
95	1D	EA-16167	Washer	x	x	1
95	1E	EA-16126	Arm—Upper Differential	x	x	1
95	1F	EA-16125	Arm—Lower Differential	x	x	1
95	1G	EA-16129	Bearing Bushing	x	x	1
95	1H	AN935B6	Washer—Lock No. 6	x	x	1
95	1J	EA-16166	Screw—Binding hd 6 32 x 1 1/4 in.	x	x	1
95	2	EA-16104	Upper Contact Assembly	x	x	1
95	2A	EA-16119	Arm—Upper Contact	x	x	1

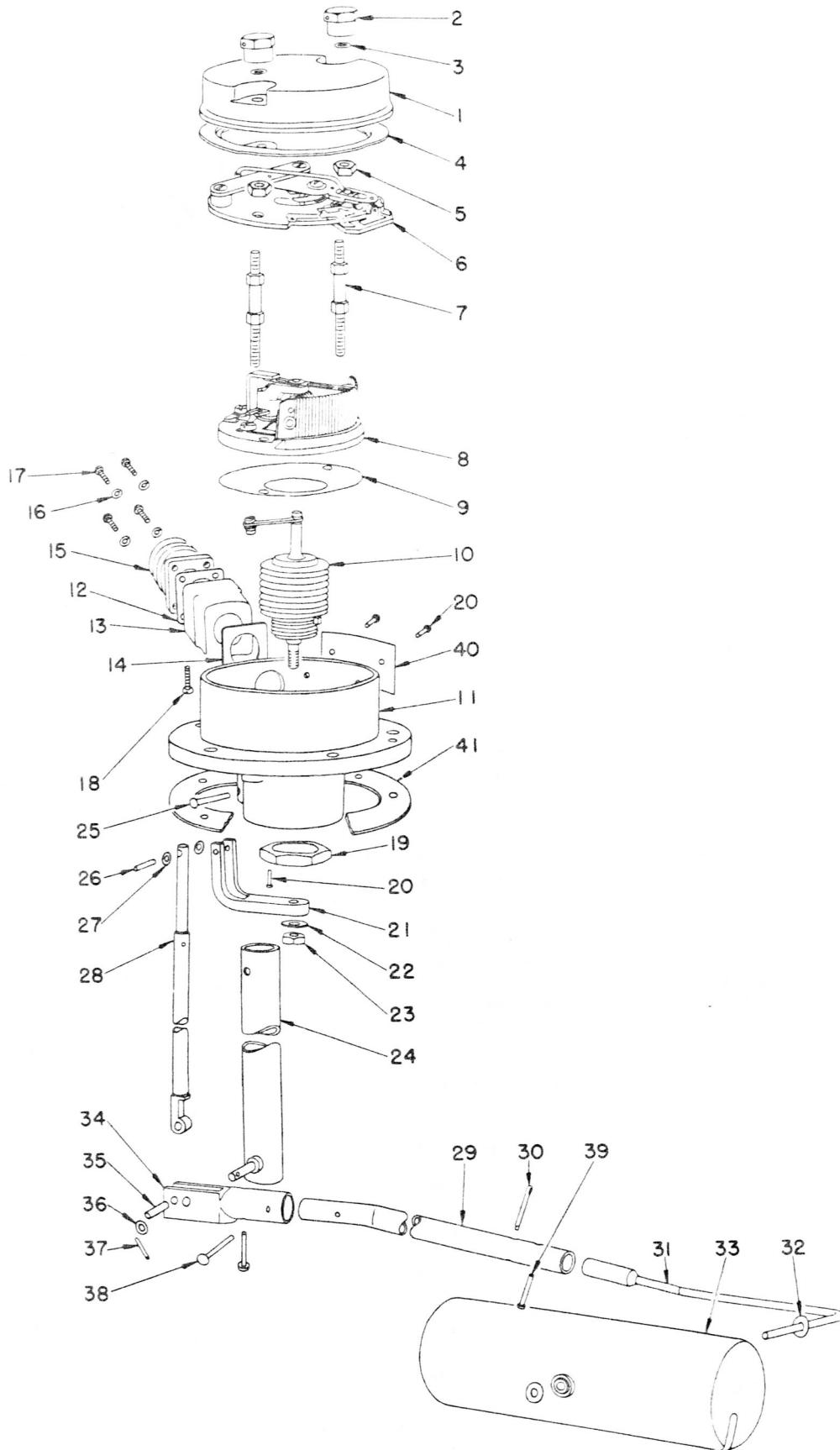


Figure 91—Tank Unit EA-15WC

Fig. No.	Index No.	Part No.	Nomenclature	EA-15WC-120090	EA-15WC-120091	Units Per Assy
95	2B	EA-16120	Holder—Brush	x	x	1
95	2C	EA-16121	Brush	x	x	3
95	2D	EA-16122	Lift-Point	x	x	1
95	2E	EA-16163	Lug—Terminal	x	x	1
95	2F	Comm	Pin—Bank No. 5 (EA-3924)	x	x	2
95	3	Comm	Bank Pin No. 5 (EA-3924)	x	x	2
92	4	EA-16128-1	Pivot	x	x	1
92	5	EA-16131	Washer—Spacer	x	x	2
92	6	EA-16165	Screw—Binding hd 3 48 x 1/8 in.	x	x	1
92	7	EA-16134	Spacer	x	x	2
92	8	EA-16127	Bridge—Bearing	x	x	1
92	9	AN505B6-8	Screw, FH 6 32 x 1/2 in.	x	x	2
92	10	EA-16136-1	Nut—Special	x	x	2
92	11	Comm	White Braid, Wire (72 strands of .002 wire) 2 1/4 in. lg (EA-7959)	x	x	1
91	7	EA-16132	Stud	x	x	2
91	8	EA-1502S-1	Potentiometer Assembly	x	x	1
73	1	EA-1504-1	Base Assembly—Potentiometer	x	x	1
72	1	EA-1512	Base	x	x	1
72	2	EA-1521	Resistor	x	x	1
72	3	Comm	Eyelet, Stimpson Co. Part No. A-1177 (EA-1548)	x	x	2
72	4	EA-1516	Shaft	x	x	1
72	5	EA-1524	Lever—Adjustment R—	x	x	1
72	6	EA-1527	Lever—Adjustment R+	x	x	1
72	7	EA-1522	Washer	x	x	3
72	8	EA-1523	Bushing	x	x	1
72	9	EA-1526	Eccentric—Adjustment	x	x	2
72	10	EA-1576	Stud	x	x	1
73	2	EA-1257	Washer	x	x	2
73	3	EA-1505S	Arm—Contact and switch arm assembly	x	x	1
73	3A	EA-1505	Arm Assembly—Contact	x	x	1
71	3A	EA-1514	Arm—Contact	x	x	1
71	3B	EA-1658	Shoe—Contact arm	x	x	1
71	3C	EA-1631	Blade—Contact arm	x	x	1
71	3D	EA-1550	Washer—Spring	x	x	1
71	3E	Comm	Eyelet, Waterbury Button Co. Part No. 9966 (EA-1518)	x	x	1
71	3F	EA-1582	Washer	x	x	1
73	3B	Comm	Eyelet, Waterbury Button Co. Part No. 9966 (EA-1518)	x	x	1
73	3C	EA-1559	Arm—Switch contact	x	x	1
73	3D	EA-1550	Washer—Spring	x	x	1
73	4	EA-1575	Spring	x	x	1
73	5	Comm	Pin—Locking (copper) No. 18 B & S ga x 3/8 in. lg (EA-1229)	x	x	1
73	6	EA-1520	Contact—Contact arm	x	x	1
73	7	660-51	Lug—Solder	x	x	1
73	8	AN935B6	Washer—Lock	x	x	1
73	9	AN520B6-4	Screw, RH 6 40 x 1/4 in.	x	x	1
73	10	EA-1508	†Switch Assembly—Warning	x	x	1
75	1	EA-6511	Housing and Stem Assembly	x	x	1
75	1A	EA 1645	Housing Assembly	x	x	1
76	1	EA-1641	Housing—Warning switch	x	x	1
76	2	EA-1598	Plate—Stop	x	x	1
76	3	EA-1556	Spring—Arm return	x	x	1
76	4	AN430B2-3	Rivet, cut to 1/8 lg (EA-1529)	x	x	2
75	1B	EA-1510	Stem Assembly	x	x	1
76	5	EA-6510	Stem with contact point	x	x	1
76	5A	EA-1554	Stem	x	x	1
76	5B	EA-1567-1	Contact	x	x	1
76	6	EA-1557	Retainer—Diaphragm	x	x	1
76	7	EA-1566	Diaphragm	x	x	1
76	8	Comm	Cord—Waxed, dental floss, Johnson and Johnson (EA-7920)	x	x	1
75	1C	EA-1656	Shaft—Stem	x	x	1
75	2	EA-1555	Arm—Contact	x	x	1
75	3	EA-1569	Pin—Contact arm	x	x	1
75	4	EA-1646	Cover Assembly	x	x	1

Section II
Group Assembly Parts List

EO 20-85BA-4

Fig. No.	Index No.	Part No.	Nomenclature	1 2 3 4 5 6 7							EA-15W/C-120090	EA-15W/C-120091	Units Per Assy
75	4A	EA-1643	Cover							x		1	
75	4B	EA-1647-1	Contact							x		1	
75	4C	EA-1655	Strip—Connection							x		1	
75	4D	Comm	Pin—Bank No. 5 (EA-3924)							x		1	
73	11	AN515B3-4	Screw, RH 3 48 x 1/4 in.							x		1	
73	12	EA-1657	Spacer							x		1	
73	13	AN515B3-5	Screw, RH 3 48 x 5/16 in.							x		1	
91	9	EA-1583	Pad—Insulating							x		1	
91	10	EA-1203	†Seal Assembly—Bellows							x		1	
79	1	EA-1445	Bellows							x		1	
79	2	EA-6507	Holder Assembly—Bellows							x		1	
79	2A	EA-1232	Lever—Bellows							x		1	
79	2B	EA-1446	Holder—Bellows							x		1	
79	2C	EA-1233	Pin							x		1	
79	2D	EA-1274	Pin—Locating							x		1	
79	3	EA-1236	Stud—Bearing							x		1	
79	4	EA-6503	Link Assembly							x		1	
79	4A	EA-1235	Link							x		1	
79	4B	EA-1237	Screw							x		1	
79	4C	EA-1238	Washer							x		1	
79	4D	EA-1239	Nut							x		1	
91	11	EA-1511-52-1	Housing							x		1	
91	11	EA-1511-51-1	Housing								x	1	
91	12	EA-4546-1	Gasket							x		1	
91	13	EA-4542	Block—Mounting							x		1	
91	14	EA-4525	Gasket							x		1	
91	15	AND10066-14S-5P	Receptacle							x		1	
91	16	AN935B4	Washer—Lock							x		4	
91	17	AN500B4-5	Screw, fl hd 4 40 x 5/16 in.							x		4	
91	18	AN505B5-8	Screw, FH 5 40 x 1/2 in.							x		2	
91	19	EA-1242	Nut							x		1	
91	20	AN430-2-4	Rivet							x		1	
91	21	EA-1246	Arm							x		1	
91	22	AN960B10	Washer†							x		1	
91	23	AN345B10	Nut, hex.							x		1	
91	24	EA-1205-199	Pipe Assembly—Fulcrum							x		1	
77	1	EA-1259-199	Pipe—Fulcrum							x		1	
77	2	EA-1260	Stud—Fulcrum							x		1	
77	3	EA-1591B	Plug—Fulcrum							x		1	
91	25	AN430-4-18	Rivet							x		1	
91	26	EA-1258	Pin—Operating							x		1	
91	27	8227	Washer							x		2	
91	28	9901-89	Rod Assembly—Operating							x		1	
77	4	EA-1247	Extension—Operating rod							x		1	
77	5	EA-1253-189	Rod—Operating							x		1	
77	6	EA-8550	Link—Operating rod							x		1	
77	7	AN430D2-6	Rivet							x		2	
91	29	EA-1252-326	Arm—Float							x		1	
91	29	EA-1252-327	Arm—Float							x		1	
91	30	AN380B2-2	Pin—Cotter							x		1	
91	31	EA-1255-104A	Fork—Float with bushing							x		1	
78	12	EA-1255-104	Fork—Float							x		1	
78	14	EA-1254	Bushing							x		1	
91	32	EA-1257	Washer							x		2	
91	33	EA-1294	Float Assembly							x		1	
78	1	EA-1270	Float							x		1	
78	2	EA-1280	Bearing							x		1	
78	3	EA-1268	Bushing							x		2	
78	4	EA-1269-1	Weight							x		1	
91	34	EA-8526	Fulcrum							x		1	
91	35	EA-1245	Pin—Operating rod link							x		1	
91	36	AN960B8	Washer							x		1	
91	37	Comm	Pin—Locking (copper) No. 18 B & S ga x 3/8 in lg (EA-1229)							x		1	
91	38	Comm	Rivet, Stimpson No. H-149 brass (EA-8530)							x		2	
91	39	8229	Rivet							x		1	
91	40	EA-1278	Plate—Name							x		1	
91	20	AN430-2-4	Rivet							x		2	
91	41	8262	Gasket							x		1	

Fig. No.	Index No.	Part No.	Nomenclature							Units Per Assy
			1	2	3	4	5	6	7	
		EA-15WC-216	TANK UNIT							
91		EA-16133-1								1
91	11	EA-1511-55-1								1
91	15	EA-4502A								1
91	24	EA-1205-169								1
91	28	EA-9901-62								1
91	29	EA-1252-284								1
91	31	EA-1255-113								1
91	33	EA-51594								1

ALL OTHER PARTS TO COMPLETE
TANK UNIT FOUND ON FIGURE 91

RESCINDED

RESCINDED

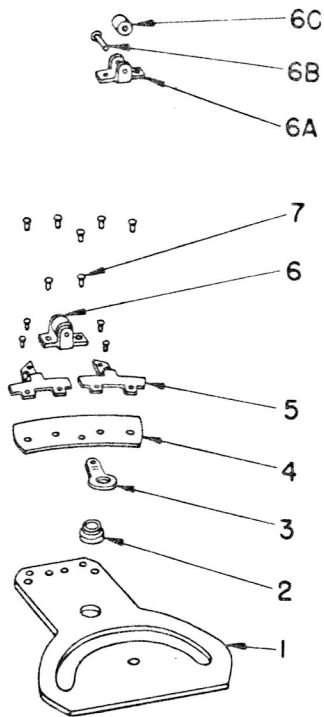


Figure 94

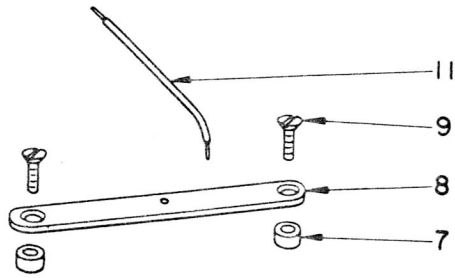


Figure 95

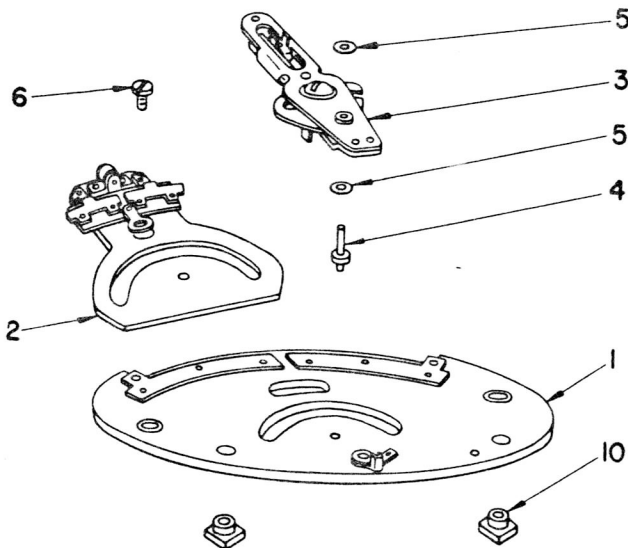


Figure 92

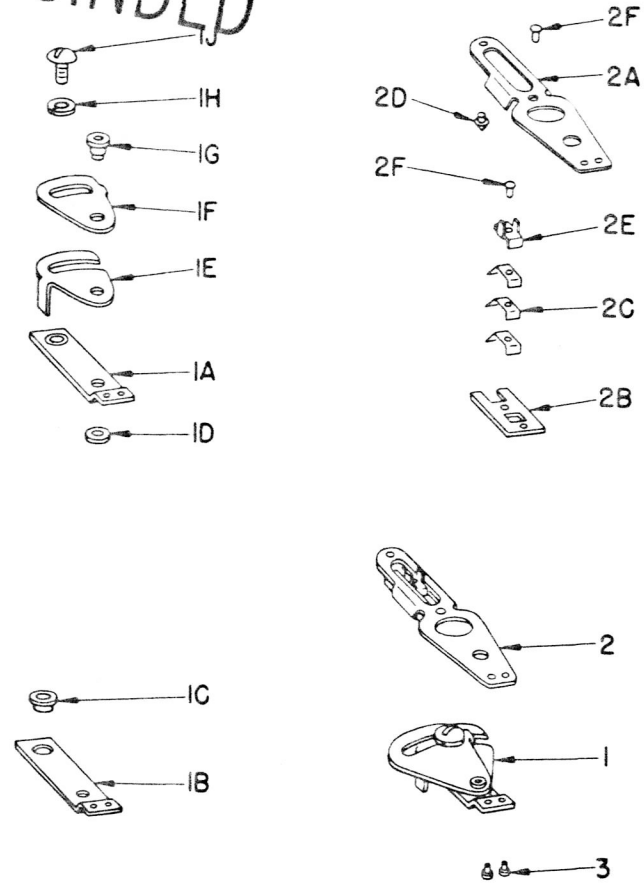


Figure 93

CONTACTOR

Section II
Group Assembly Parts List

EO 20-85BA-4

Fig. No.	Index No.	Part No.	Nomenclature	EA-15AW/C-162B5784A							Units Per Assy
				1	2	3	4	5	6	7	
			Tank Unit Assembly								
96	1	EA-16133	Cover—Housing						x		1
96	2	EA-16141	Nut						x		2
96	3	EA-16142	Washer						x		2
96	4	EA-17638	Gasket						x		1
96	5	AN340B8	Nut						x		2
96	6	EA-16101-1	†Contactor Assembly						x		1
92	1	EA-16109	Base Assembly						x		1
93	1	EA-16111-1	Base						x		1
93	2	EA-16113	Arm—Lower Contact						x		1
93	3	EA-16137	Shoulder Bushing						x		2
93	4	Comm	Lug—Solder, Zierick No. 15 Part No. 142 (EA-7957)						x		1
93	5	Comm	Lug—Solder, Zierick No. 15 Part No. 148 (EA-7958)						x		1
93	6	302-20-2	Pin—Escutcheon						x		6
92	2	EA-16102-1	Contact Plate Assembly						x		1
94	1	EA-16112-1	Plate—Contact						x		1
94	2	EA-16140	Stud—Insert						x		1
94	3	EA-16145	Lug—Terminal						x		1
94	4	EA-16138	Insulator						x		1
94	5	EA-16139R	Strip—Upper contact						x		1
94	5	EA-16139L	Strip—Upper contact						x		1
94	6	EA-16108	Roller Assembly						x		1
94	6A	EA-16114	Bracket—Roller						x		1
94	6B	comm	Pin—Bank No. 5 (EA-3924)						x		1
94	6C	EA-16117	Roller						x		1
94	7	302-20-2	Pin—Escutcheon						x		11
92	3	EA-16105	Differential Fork and Contact Assembly						x		1
95	1	EA-16103	Differential Assembly						x		1
95	1A	EA-16107	Differential Lock Arm Assembly						x		1
95	1B	EA-16123	Arm—Lock, Differential						x		1
95	1C	EA-16124	Nut—Lock Arm						x		1
95	1D	EA-16167	Washer—Flat						x		1
95	1E	EA-16126	Arm—Upper Differential						x		1
95	1F	EA-16125	Arm—Lower Differential						x		1
95	1G	EA-16129	Bearing Bushing						x		1
95	1H	AN935B6	Washer—Locking No. 6						x		1
95	1J	EA-16166	Screw—Binding hd No. 6/32 x 1/4 in.						x		1
95	2	EA-16104	Upper Contact Assembly						x		1
95	2A	EA-16119	Arm—Upper Contact						x		1
95	2B	EA-16120	Holder—Brush						x		3
95	2C	EA-16121	Brush						x		1
95	2D	EA-16122	Lift—Point						x		1
95	2E	EA-16163	Lug—Terminal						x		2
95	2F	Comm	Bank—Pin No. 5 (EA-3924)						x		2
95	3	Comm	Bank—Pin No. 5 (EA-3924)						x		2
92	4	EA-16128	Pivot						x		1
92	5	EA-16131	Washer—Spacer						x		2
92	6	EA-16165	Screw—Binding hd No. 3 48 x 1/8 in.						x		1
92	7	EA-16134	Spacer						x		2
92	8	EA-16127	Bridge—Bearing						x		1
92	9	AN505B6-8	Screw, F.H. No. 6 32 x 1/2 in.						x		2
92	10	EA-16136-1	Nut—Special						x		2
92	11	EA-7959	White Braid						x		1
96	7	EA-16132	Stud						x		2
96	8	EA-1502S-1	Potentiometer Assembly						x		1
73	1	EA-1504-1	Base Assembly—Potentiometer						x		1
72	1	EA-1512	Base						x		1
72	2	EA-1521	Resistor						x		1
72	3	Comm	Eyelet, Stimpson Co. Part No. A-1177 (EA-1548)						x		2
72	4	EA-1516	Shaft						x		1
72	5	EA-1524	Lever—Adjustment R—						x		1
72	6	EA-1527	Lever—Adjustment R+						x		1
72	7	EA-1522	Washer						x		3
72	8	EA-1523	Bushing						x		1
79	9	EA-1526	Eccentric—Adjustment						x		2
72	10	EA-1576	Stud						x		1

RESCINDED

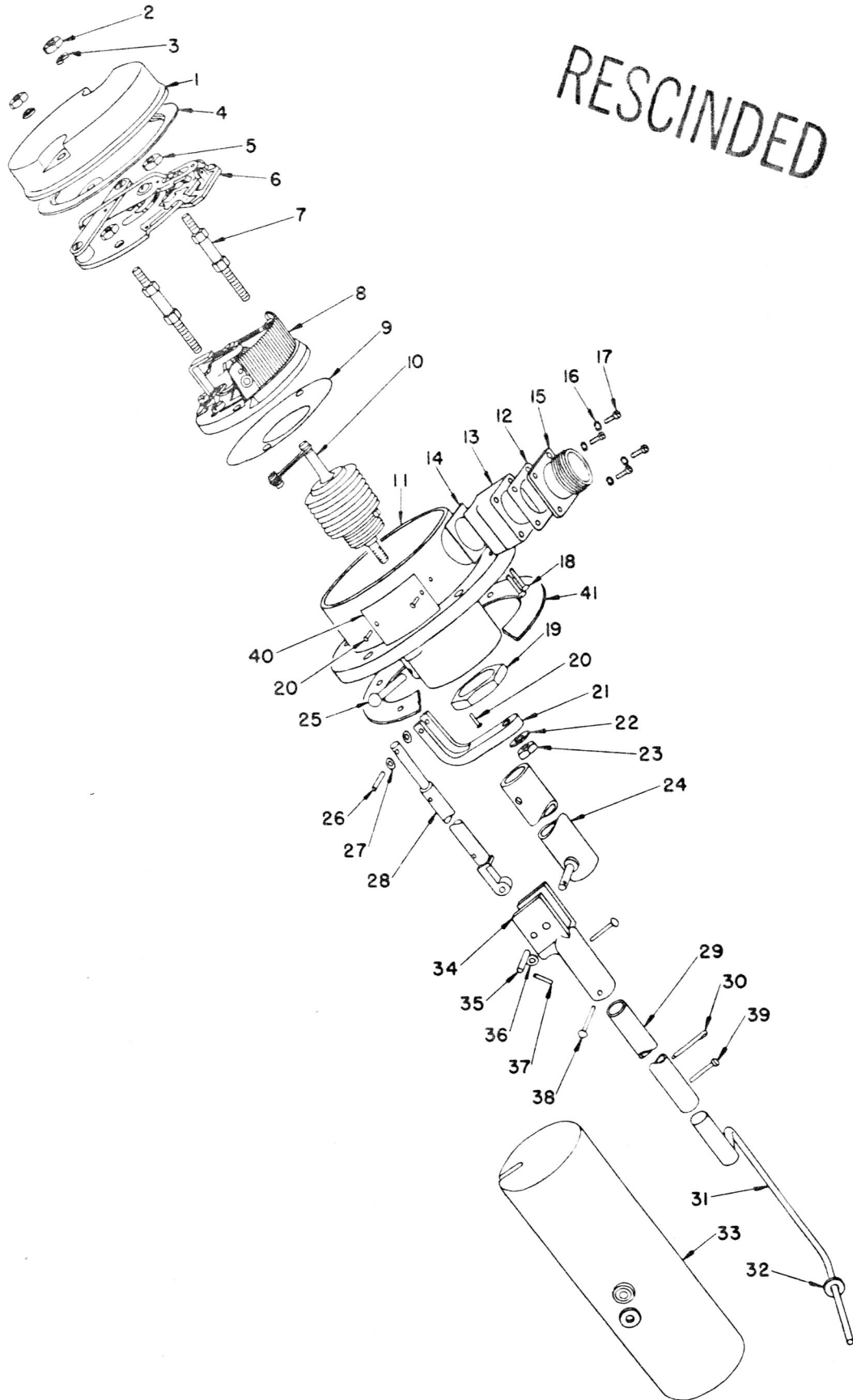


Figure 96—Tank Unit EA-15AWC

EO 20-85BA-4

Section II
Group Assembly Parts List

Fig. No.	Index No.	Part No.	Nomenclature							EA-15AW'C-162B5784.A	Units Per Assy
			1	2	3	4	5	6	7		
73	2	EA-1257								x	2
73	3	EA-1505S								x	1
73	3A	EA-1505								x	1
71	3A	EA-1514								x	1
71	3B	EA-1658								x	1
71	3C	EA-1631								x	1
71	3D	EA-1550								x	1
71	3E	Comm								x	1
71	3F	EA-1582								x	1
73	3B	Comm								x	1
73	3C	EA-1559								x	1
73	3D	EA-1550								x	1
73	4	EA-1575								x	1
73	5	EA-1229								x	1
73	6	EA-1520								x	1
73	7	660-51								x	1
73	8	AN935B6								x	1
73	9	AN520B6-4								x	1
73	10	EA-1508								x	1
75	1	EA-6511								x	1
75	1A	EA-1645								x	1
76	1	EA-1641								x	1
76	2	EA-1598								x	1
76	3	EA-1556								x	1
76	4	EA-1529								x	2
75	1B	EA-1510								x	1
76	5	EA-6510								x	1
76	5A	EA-1554								x	1
76	5B	EA-1567-1								x	1
76	6	EA-1557								x	1
76	7	EA-1566								x	1
76	8	Comm								x	1
75	1C	EA-1656								x	1
75	2	EA-1555								x	1
75	3	EA-1569								x	1
75	4	EA-1646								x	1
75	4A	EA-1643								x	1
75	4B	EA-1647-1								x	1
75	4C	EA-1655								x	1
75	4D	Comm								x	1
73	11	AN515B3-4								x	1
73	12	EA-1657								x	1
73	13	AN515B3-5								x	1
96	9	EA-1583								x	1
96	10	EA-1203								x	1
79	1	EA-1445								x	1
79	2	EA-6507								x	1
79	2A	EA-1232								x	1
79	2B	EA-1446								x	1
79	2C	EA-1233								x	1
79	2D	EA-1274								x	1
79	3	EA-1236								x	1
79	4	EA-6503								x	1
79	4A	EA-1235								x	1
79	4B	EA-1237								x	1
79	4C	EA-1238								x	1
79	4D	EA-1239								x	1
96	11	EA-1511-53-20								x	1
96	12	EA-4546-1								x	1
96	13	EA-4542								x	1
96	14	EA-4525								x	1
96	15	AND10066-14S-5P								x	4
96	16	AN935B4								x	4
96	17	AN500B4-5								x	2
96	18	AN505B5-8								x	1
96	19	EA-1242								x	1

Fig. No.	Index No.	Part No.	Nomenclature	EA-15.AWC-162B5784A							Units Per Assy	
				1	2	3	4	5	6	7		
96	20	AN430-2-4	Rivet							x		1
96	21	EA-1246	Arm							x		1
96	22	AN960B10	Washer							x		1
96	23	AN345B10	Nut, hex							x		1
96	24	EA-1205-143	Pipe Assembly—Fulcrum							x		1
77	1	EA-1259-143	Pipe—Fulcrum							x		1
77	2	EA-1260	Stud—Fulcrum							x		1
77	3	EA-1591B	Plug—Fulcrum							x		1
96	25	AN430-4-18	Rivet							x		1
96	26	EA-1258	Pin—Operating							x		1
96	27	8227	Washer							x		2
96	28	EA-9901-39	Rod Assembly—Operating							x		1
77	4	EA-1247	Extension—Operating Rod							x		1
77	5	EA-1253-139	Rod—Operating							x		1
77	6	EA-8550	Link—Operating rod							x		1
77	7	AN430D2-6	Rivet							x		1
96	29	EA-1252-325	Arm—Float							x		1
96	30	AN380B2-2	Pin—Cotter							x		1
96	31	EA1255A	Fork—Float with Bushing							x		1
78	12	EA-1255	Fork—Float							x		1
78	14	EA-1254	Bushing							x		2
96	32	EA-1257	Washer							x		1
96	33	EA-1294	Float Assembly							x		1
78	1	EA-1270	Float							x		1
78	2	EA-1280	Bearing							x		2
78	3	EA-1268	Bushing							x		1
78	4	EA-1269-1	Weight							x		1
96	34	EA-8525	Fulcrum							x		1
96	35	EA-1245	Pin—Operating rod link							x		1
96	36	AN960B8	Washer							x		1
96	37	EA-1229	Pin—Locking							x		1
96	38	Comm	Rivet, Stimpson No. H-149 brass (EA-8530)							x		2
96	39	8229	Rivet							x		1
96	40	EA-1278	Plate—Name							x		1
96	20	AN430-2-4	Rivet							x		2
96	41	8262	Gasket							x		1

RESCINDED

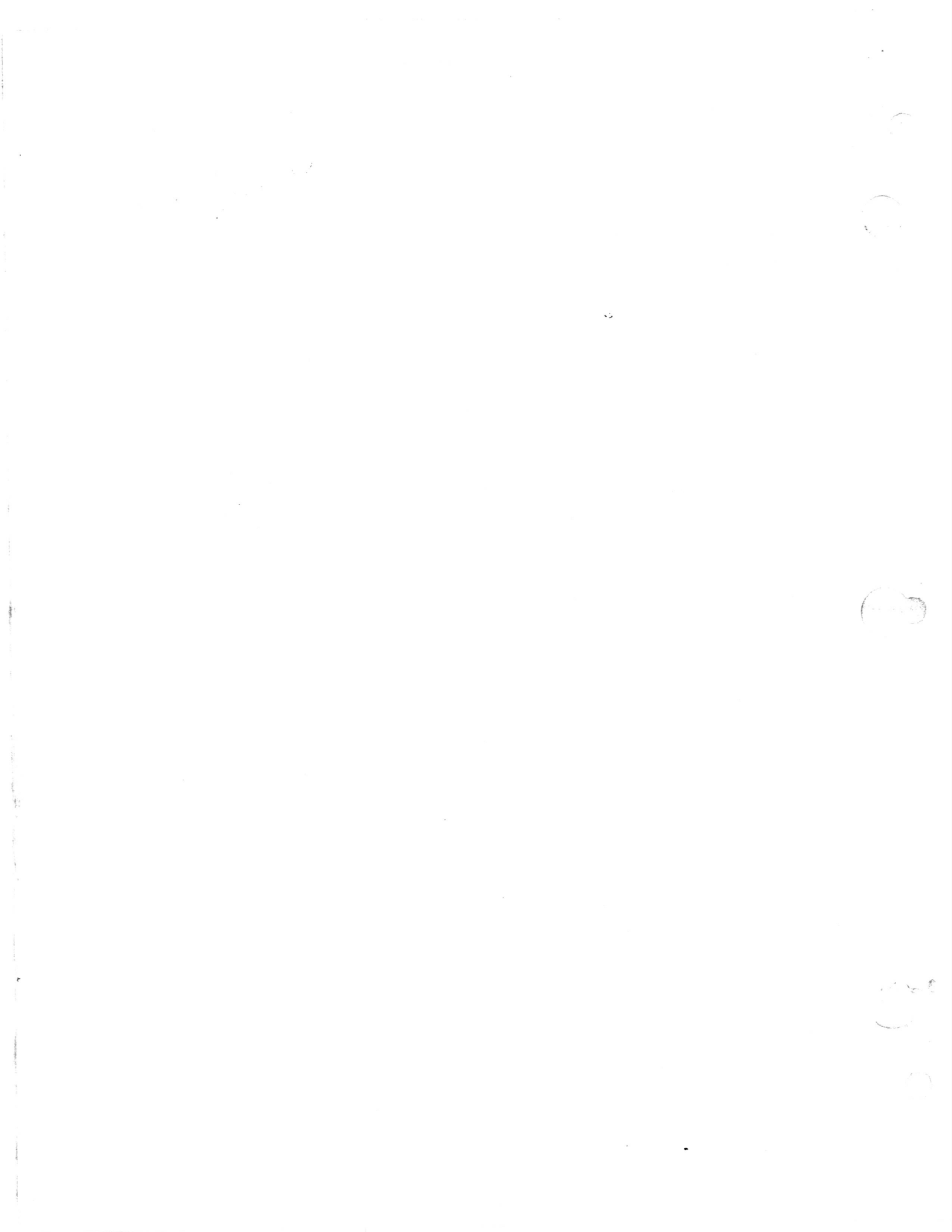
Section II
Group Assembly Parts List

Fig. No.	Index No.	Part No.	Nomenclature								Units Per Assy	
				1	2	3	4	5	6	7		
97	1	EA-1525	Cover—Housing	x								1
97	2	AN340B8	Nut	x								2
97	3	AN935B8	Washer—Lock	x								2
97	4	EA-1542	Stud	x								2
97	5	EA-1502-1	Potentiometer Assembly	x								1
71	1	EA-1504-1	Base Assembly—Potentiometer	x								1
72	1	EA-1512	Base	x								1
72	2	EA-1521	Resistor	x								1
72	3	Comm	Eyelet, Stimpson Co. Part No. A-1177 (EA-1548)	x								2
72	4	EA-1516	Shaft	x								1
72	5	EA-1524	Lever—Adjustment R—	x								1
72	6	EA-1527	Lever—Adjustment R+	x								1
72	7	EA-1522	Washer	x								3
72	8	EA-1523	Bushing	x								1
72	9	EA-1526	Eccentric—Adjustment	x								2
72	10	EA-1576	Stud	x								1
71	2	EA-1257	Washer	x								2
71	3	EA-1505	Arm Assembly—Contact	x								1
71	3A	EA-1514	Arm—Contact	x								1
71	3B	EA-1658	Shoe—Contact arm	x								1
71	3C	EA-1631	Blade—Contact arm	x								1
71	3D	EA-1550	Washer	x								1
71	3E	comm	Eyelet, Waterbury Co. Part No. 9966 (EA-1518)	x								1
71	3F	EA-1582	Washer	x								1
71	4	EA-1575	Spring	x								1
71	5	Comm	Pin—Locking (copper) No. 18 B & S ga x 3/8 in. lg (EA-1229)	x								1
71	6	EA-1520	Contact—Contact arm	x								1
71	7	660-51	Lug—Solder	x								1
71	8	AN935B6	Washer—Lock	x								1
71	9	AN520B6-4	Screw, RH 6 40 x 1/4 in.	x								1
97	5	EA-1502S-1	Potentiometer Assembly						x	x		1
73	1	EA-1504-1	Base Assembly—Potentiometer						x	x		1
72	1	EA-1512	Base						x	x		1
72	2	EA-1521	Resistor						x	x		1
72	3	Comm	Eyelet, Stimpson Co. Part No. A-1177 (EA-1548)						x	x		2
72	4	EA-1516	Shaft						x	x		1
72	5	EA-1524	Lever—Adjustment R+						x	x		1
72	6	EA-1527	Lever—Adjustment R—						x	x		1
72	7	EA-1522	Washer						x	x		3
72	8	EA-1523	Bushing						x	x		1
72	9	EA-1526	Eccentric—Adjustment						x	x		2
72	10	EA-1576	Stud						x	x		1
73	2	EA-1257	Washer						x	x		2
73	3	EA-1505S	Arm—Contact and Switch Arm Assembly						x	x		1
73	3A	EA-1505	Arm Assembly—Contact						x	x		1
71	3A	EA-1514	Arm—Contact						x	x		1
71	3B	EA-1658	Shoe—Contact arm						x	x		1
71	3C	EA-1631	Blade—Contact arm						x	x		1
71	3D	EA-1550	Washer—Spring						x	x		1
71	3E	Comm	Eyelet, Waterbury Co. Part No. 9966 (EA-1518)						x	x		1
71	3F	EA-1582	Washer						x	x		1
73	3B	comm	Eyelet, Waterbury Co. Part No. 9966 (EA-1518)						x	x		1
73	3C	EA-1559	Arm—Switch contact						x	x		1
73	3D	EA-1550	Washer—Spring						x	x		1
73	4	EA-1575	Spring						x	x		1
73	5	Comm	Pin—Locking (copper) No. 18 B & S ga x 3/8 in. lg (EA-1229)						x	x		1

Fig. No.	Index No.	Part No.	Nomenclature							Units Per Assy
			1	2	3	4	5	6	7	
97		EA-15B-4238874	TANK UNIT							
97	5	EA-1502-1	Potentiometer Assembly (See Fig. 71 & 72)							1
72	2	EA-1521	Resistor							1
71	3	EA-1505	Arm Assembly—Contact							1
97	8	EA-1511-810-1	Housing							1
97	12	EA-4509A	Receptacle							1
97	21	EA-1205-110	Pipe Assembly—Fulcrum							1
97	25	EA-9901-9	Rod Assembly—Operating							1
97	26	EA-1252-211	Arm—Float							1
97	28	EA-1255-119-1A	Fork—Float with Bushing							1
97	30	EA-1536	Float							1
97	29	EA-1257-1	Washer							1
97	32	EA-8526	Fulcrum							2

RESCINDED

ALL OTHER PARTS TO COMPLETE
TANK UNIT ARE FOUND ON FIGURE 97



RESCINDED

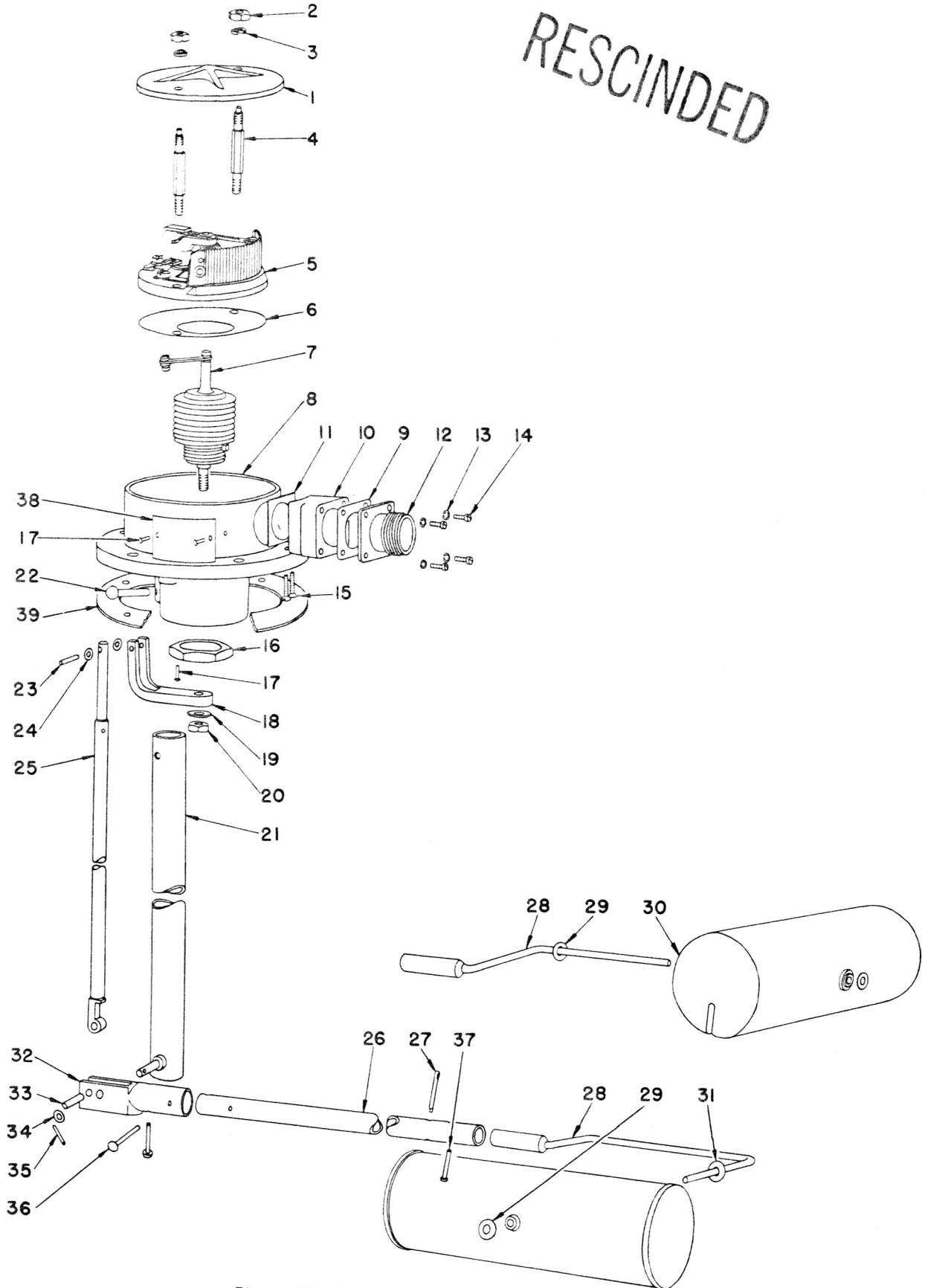


Figure 97—Tank Unit EA-15B and EA-15BW

Section II
Group Assembly Parts List

EO 20-85BA-4

Fig. No.	Index No.	Part No.	Nomenclature								Units Per Assy		
				1	2	3	4	5	6	7			
73	6	EA-1520	Contacto--Contact arm								x	x	1
73	7	660-51	Lug--Solder								x	x	1
73	8	AN935B6	Washer--Lock								x	x	1
73	9	AN520B6-4	Screw, RH 6 40 x 1/4 in.								x	x	1
73	10	EA-1508	†Switch Assembly--Warning								x	x	1
75	1	EA-6511	Housing and Stem Assembly								x	x	1
75	1A	EA-1645	Housing Assembly								x	x	1
76	1	EA-1641	Housing--Warning switch								x	x	1
76	2	EA-1598	Plate--Stop								x	x	1
76	3	EA-1556	Spring--Arm return								x	x	1
76	4	AN430B2-3	Rivet, cut to 1/8 in. lg (EA-1529)								x	x	2
75	1B	EA-1510	Stem Assembly								x	x	1
76	5	EA-6510	Stem with contact point								x	x	1
76	5A	EA-1554	Stem								x	x	1
76	5B	EA-1567-1	Contact								x	x	1
76	6	EA-1557	Retainer--Diaphragm								x	x	1
76	7	EA-1566	Diaphragm								x	x	1
76	8	Comm	Cord--Waxed, Johnson and Johnson (EA-7920)								x	x	1
75	1C	EA-1656	Shaft--Stem								x	x	1
75	2	EA-1555	Arm--Contact								x	x	1
75	3	EA-1569	Pin--Contact arm								x	x	1
75	4	EA-1646	Cover Assembly								x	x	1
75	4A	EA-1643	Cover								x	x	1
75	4B	EA-1647-1	Contact								x	x	1
75	4C	EA-1655	Strip--Connection								x	x	1
75	4D	Comm	Pin--Bank No. 5 (EA-3924)								x	x	1
73	11	AN515B3-4	Screw, RH 3-48 x 1/4 in.								x	x	1
73	12	EA-1657	Spacer								x	x	1
73	13	AN515B3-5	Screw, RH 3 48 x 5/16 in.								x	x	1
97	6	EA-1583	Pad--Insulating								x	x	1
97	7	EA-1203	†Seal Assembly--Bellows								x	x	1
79	1	EA-1445	Bellows								x	x	1
79	2	EA-6507	Holder Assembly--Bellows								x	x	1
79	2A	EA-1232	Lever--Bellows								x	x	1
79	2B	EA-1446	Holder--Bellows								x	x	1
79	2C	EA-1233	Pin								x	x	1
79	2D	EA-1274	Pin--Locating								x	x	1
79	3	EA-1236	Stud--Bearing								x	x	1
79	4	EA-6503	Link Assembly								x	x	1
79	4A	EA-1235	Link								x	x	1
79	4B	EA-1237	Screw								x	x	1
79	4C	EA-1238	Washer								x	x	1
79	4D	EA-1239	Nut								x	x	1
97	8	EA-1511-51-1	Housing								x		1
97	8	EA-1511-52-1	Housing									x	1
97	8	EA-1511-53-1	Housing								x		1
97	9	EA-4546-1	Gasket								x	x	1
97	10	EA-4542	Block--Mounting								x	x	1
97	11	EA-4525	Gasket								x	x	1
97	12	AND10066-14S-1P	Receptacle								x		1
97	12	AND10066-14S-2P	Receptacle								x		1
97	13	AN935B4	Washer--Lock								x	x	4
97	14	AN500B4-5	Screw, fl hd 4 40 x 5/16 in.								x	x	4
97	15	AN505B5-8	Screw, FH 4 50 x 1/2 in.								x	x	2
97	16	EA-1242	Nut								x	x	1
97	17	AN430-2-4	Rivet								x	x	1
97	18	EA-1246	Arm								x	x	1
97	19	AN960B10	Washer								x	x	1
97	20	AN345B10	Nut, hex								x	x	1
97	21	EA-1205-102	Pipe Assembly--Fulcrum								x		1
97	21	EA-1205-144	Pipe Assembly--Fulcrum								x		1

RESCINDED

Fig. No.	Index No.	Part No.	Nomenclature							E.A-15B-82-00353	E.A-15B-82-00353-1	E.A-15BW-208132-1	E.A-15BW-208132-2	Units Per Assy
			1	2	3	4	5	6	7					
77	1	EA-1259-102												
77	1	EA-1259-144												1
77	2	EA-1260							x	x				1
77	3	EA-1591B							x	x				1
97	22	AN430-4-18							x	x	x	x		1
97	23	EA-1258							x	x	x	x		1
97	24	8227							x	x	x	x		1
97	25	EA-9901-2							x	x	x	x		2
97	25	EA-9901-40							x	x				1
77	4	EA-1247							x	x				1
77	5	EA-1253-102							x	x	x	x		1
77	5	EA-1253-140									x	x		1
77	6	EA-8550							x	x				1
77	7	AN430D2-6							x	x	x	x		1
97	26	EA-1252-257							x	x	x	x		1
97	26	EA-1252-354							x	x				1
97	27	AN380B2-2									x	x		1
97	28	EA-1255-2A							x	x	x	x		1
97	28	EA-1255A							x	x				1
78	12	EA-1255-2									x	x		1
78	13	EA-1255							x	x				1
78	14	EA-1254									x	x		1
97	29	EA-1257							x	x	x	x		1
97	30	EA-1294							x	x	x	x		2
78	1	EA-1270							x	x				1
78	2	EA-1280							x	x				1
78	3	EA-1268							x	x				1
78	4	EA-1269-1							x	x				2
97	31	EA-1256							x	x				1
78	5	EA-1625							x	x				1
78	6	EA-1626							x	x				1
78	7	EA-1280							x	x				2
78	8	EA-1080							x	x				1
78	9	EA-1291-1							x	x				1
78	10	EA-1291-2									x	x		1
78	11	EA-1292									x	x		1
78	11A	EA-1240									x	x		1
78	11B	EA-1241									x	x		1
78	11C	EA-1281									x	x		1
97	32	EA-8524									x	x		1
97	33	EA-1245							x	x	x	x		1
97	34	AN960B8							x	x	x	x		1
97	35	Comm							x	x	x	x		1
97	36	Comm												
97	37	8229									x	x		2
97	38	EA-1278							x	x	x	x		1
97	17	AN430-2-4							x	x	x	x		1
97	39	8262							x	x	x	x		2
									x	x	x	x		1

Section II
Group Assembly Parts List

EO 20-85BA-4

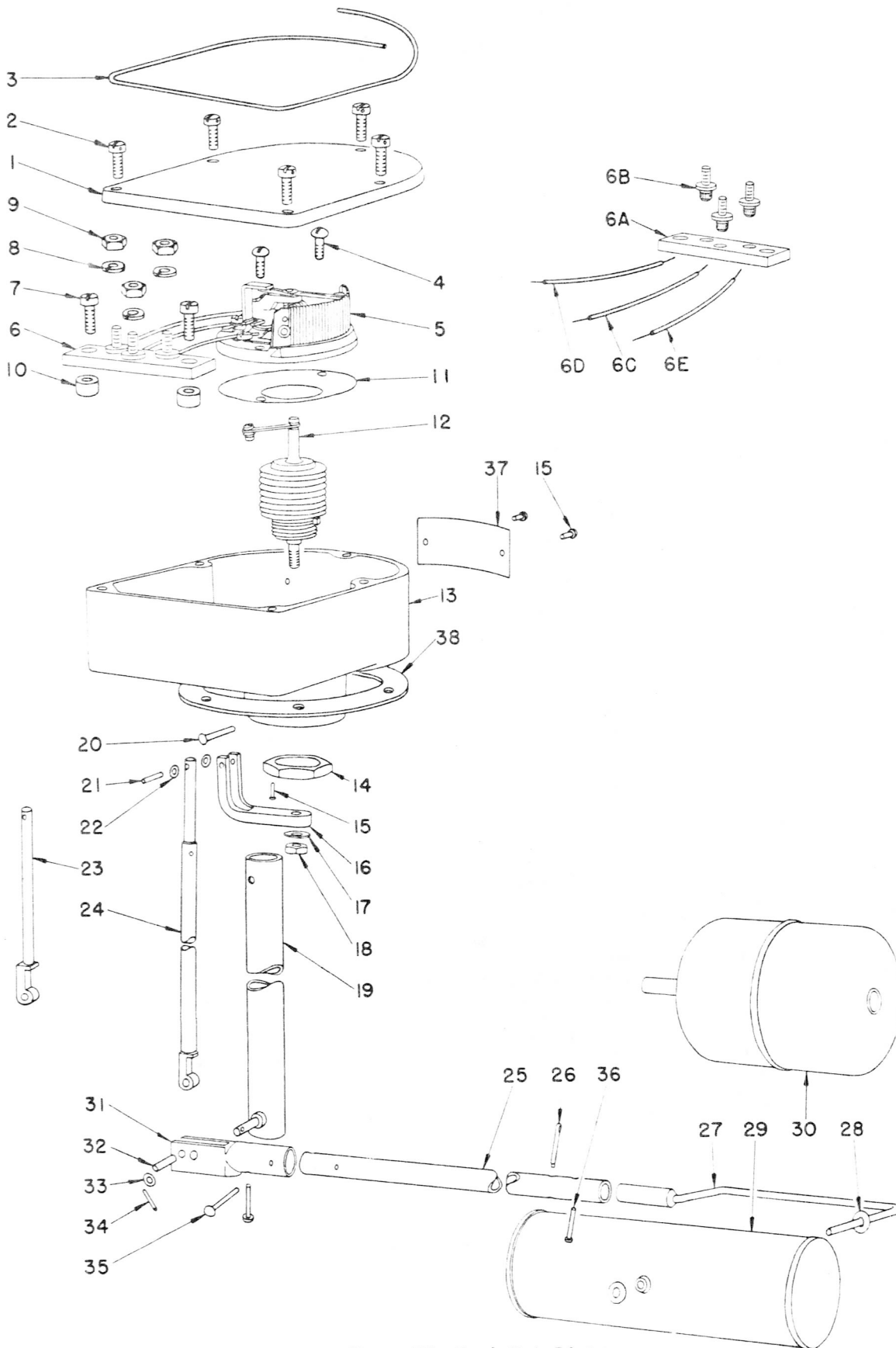


Figure 98—Tank Unit EA-16

RESCINDED EO 20-85BA-4

Section II Group Assembly Parts List

Fig. No.	Index No.	Part No.	Nomenclature	EA-1611-189630-2		EA-1611-189726-2		Units Per Assy
				1	2	3	4	
			Tank Unit Assembly					
98	1	EA-1012	Cover—Housing			x	x	1
98	2	AN503B10-8	Screw			x	x	5
98	3	8256	Wire—Locking (brass) 1/32 17 in. lg			x	x	1
98	4	AN515B8-8	Screw, RD hd 8 32 x 1/2 in.			x	x	2
98	5	EA-1502-1	Potentiometer Assembly			x	x	1
71	1	EA-1504-1	Base Assembly—Potentiometer			x	x	1
72	1	EA-1512	Base			x	x	1
72	2	EA-1521	Resistor			x	x	1
72	3	Comm	Eyelet, Stimpson Co. Part No. A-1177 (EA-1548)			x	x	2
72	4	EA-1516	Shaft				x	1
72	5	EA-1524	Lever Adjustment R—			x	x	1
72	6	EA-1527	Lever Adjustment R+			x	x	1
72	7	EA-1522	Washer			x	x	1
72	8	EA-1523	Bushing			x	x	3
72	9	EA-1526	Eccentric—Adjustment			x	x	1
72	10	EA-1576	Stud			x	x	2
71	2	EA-1257	Washer			x	x	1
71	3	EA-1505	Arm Assembly—Contact			x	x	2
71	3A	EA-1514	Arm—Contact			x	x	1
71	3B	EA-1658	Shoe—Contact arm			x	x	1
71	3C	EA-1631	Blade—Contact arm			x	x	1
71	3D	EA-1550	Washer			x	x	1
71	3E	Comm	Eyelet, Waterbury Co. Part No. 9966 (EA-1518)			x	x	1
71	3F	EA-1582	Washer			x	x	1
71	4	EA-1575	Spring			x	x	1
71	5	Comm	Pin—Locking (copper) No. 18 B & S ga x 3/8 in. (EA-1229)			x	x	1
71	6	EA-1520	Contact—Contact arm				x	1
71	7	660-51	Lug—Solder			x	x	1
71	8	AN935B6	Washer—Lock			x	x	1
98	6	AN520B6-4	Screw, RH 6 40 x 1/4 in.			x	x	1
98	6A	EA-1261	Block Assembly—Terminal			x	x	1
98	6B	EA-1262	Block—Terminal			x	x	1
98	6C	EA-2016	Stud—Terminal			x	x	1
98	6C	Comm	Lead (copper) B & S ga No. 20 x 3 in. lg (EA-1226)			x	x	3
98	6D	Comm	Lead (copper) B & S ga No. 20 x 6 in. lg (EA-1227)			x	x	1
98	6E	Comm	Lead (copper) B & S ga No. 20 x 5 in. lg (EA-1228)			x	x	1
98	7	AN500B8-8	Screw, Fil hd 8 32 x 1/2 in.			x	x	2
98	8	AN935B8	Washer—Lock			x	x	3
98	9	AN340B-8	Nut, hex 832			x	x	3
98	10	EA-1432	Spacer—Terminal Block			x	x	2
98	11	EA-1583	Pad—Insulating			x	x	1
98	12	EA-1203	†Seal Assembly—Bellows			x	x	1
79	1	EA-1445	Bellows			x	x	1
79	2	EA-6507	Holder Assembly—Bellows			x	x	1
79	2A	EA-1232	Lever—Bellows			x	x	1
79	2B	EA-1446	Holder—Bellows			x	x	1
79	2C	EA-1233	Pin			x	x	1
79	2D	EA-1274	Pin—Locating			x	x	1
79	3	EA-1236	Stud—Bearing			x	x	1
79	4	EA-6503	Link Assembly			x	x	1
79	4A	EA-1235	Link			x	x	1
79	4B	EA-1237	Screw			x	x	1
79	4C	EA-1238	Washer			x	x	1
79	4D	EA-1239	Nut			x	x	1
98	13	EA-1611	Housing			x	x	1
98	14	EA-1242	Nut			x	x	1
98	15	AN430-2-4	Rivet			x	x	1
98	16	EA-1246	Arm			x	x	1
98	17	AN960B10	Washer			x	x	1
98	18	AN345B10	Nut, hex			x	x	1
98	19	EA-1205-223	Pipe Assembly—Fulcrum			x	x	1
98	19	EA-1205-113	Pipe Assembly—Fulcrum			x	x	1
77	1	EA-1259-223	Pipe—Fulcrum			x	x	1

Section II
Group Assembly Parts List

EO 20-85BA-4

Fig. No.	Index No.	Part No.	Nomenclature							EA-1611-189630-2	EA-1611-189726-2	Units Per Assy
			1	2	3	4	5	6	7			
77	1	EA-1259-113									x	1
77	2	EA-1260									x	1
77	3	EA-1591B									x	1
98	20	AN430-4-18									x	1
98	21	EA-1258									x	1
98	22	8227									x	2
98	23	EA-8589									x	1
98	24	EA-9901-76									x	1
77	4	EA-1247									x	1
77	5	EA-1253-176									x	1
77	6	EA-8550									x	1
77	7	AN430D2-6									x	2
98	25	EA-1252-372									x	1
98	25	EA-1252-257									x	1
98	26	AN380B2-2									x	1
98	27	EA-1255A									x	1
78	12	EA-1255									x	1
78	14	EA-1254									x	1
98	28	EA-1257									x	2
98	29	EA-1256									x	1
78	5	EA-1625									x	1
78	6	EA-1626									x	2
78	7	EA-1280									x	1
78	8	EA-1080									x	1
98	30	EA-1291M									x	1
78	9	EA-1291-1									x	1
78	10	EA-1291-2									x	1
78	11	EA-1292									x	1
78	11A	EA-1240									x	1
78	11B	EA-1241									x	1
78	11C	EA-1281									x	1
98	31	EA-8523									x	1
98	31	EA-8526									x	1
98	32	EA-1245									x	1
98	33	AN960B8									x	1
98	34	Comm									x	1
98	35	Comm									x	2
98	36	8229									x	1
98	37	EA-1278									x	1
98	15	AN430-2-4									x	2
98	38	8262									x	1

RESCINDED

Fig. No.	Index No.	Part No.	Nomenclature	EA-1612-189630-1	EA-1612-189726-1	EA-6612-141	Units Per Assy
			1 2 3 4 5 6 7				
			Tank Unit Assembly				
			Cover—Housing				
99	1	EA-1012					
99	2	AN503B10-8	Screw	x	x	x	1
99	3	EA-8256	Wire—Locking (brass) 1/32 x 17 in. lg	x	x	x	5
99	4	AN515B8-8	Screw, RD HD 8 32 x 1/2 in.	x	x	x	1
99	5	EA-1502-1	Potentiometer Assembly	x	x	x	2
71	1	EA-1504-1	Base Assembly—Potentiometer	x	x		1
72	1	EA-1512	Base	x	x		1
72	2	EA-1521	Resistor	x	x		1
72	3	Comm	Eyelet, Shimpson Co. Par No. A-1177 (EA-1548)	x	x		1
							2
72	4	EA-1516	Shaft				
72	5	EA-1524	Lever—Adjustment R +	x	x		1
72	6	EA-1527	Lever—Adjustment R -	x	x		1
72	7	EA-1522	Washer	x	x		1
72	8	EA-1523	Bushing	x	x		3
72	9	EA-1526	Eccentric—Adjustment	x	x		1
72	10	EA-1576	Stud	x	x		2
71	2	EA-1257	Washer	x	x		1
71	3	EA-1505	Arm Assembly—Contact	x	x		2
71	3A	EA-1514	Arm—Contact	x	x		1
71	3B	EA-1658	Shoe—Contact arm	x	x		1
71	3C	EA-1631	Blade—Contact arm	x	x		1
71	3D	EA-1550	Washer—Spring	x	x		1
71	3E	Comm	Eyelet, Waterbury Co. Part No. 9966	x	x		1
71	3F	EA-1582	Washer	x	x		1
71	4	EA-1575	Spring	x	x		1
71	5	Comm	Pin—Locking (copper) No. 18 B & S ga x 3/8 in. lg (EA-1229)	x	x		1
71	6	EA-1520	Contact—Contact arm				
71	7	660-51	Lug—Solder	x	x		1
71	8	AN935B6	Washer—Lock	x	x		1
71	9	AN520B6-4	Screw, RH 6-40 x 1/4 in.	x	x		1
99	6	EA-1261	Block Assembly—Terminal	x	x		1
99	6A	EA-1262	Block—Terminal	x	x		1
99	6B	EA-2016	Stud—Terminal	x	x		1
99	6C	Comm	Lead (copper) B & S ga No. 20 x 5 in. lg (EA-1228)	x	x		3
							1
99	6D	Comm	Lead (copper) B & S ga No. 20 x 6 in. lg (EA-1227)	x	x		1
99	6E	Comm	Lead (copper) B & S ga No. 20 x 3 in. lg (EA-1226)	x	x		1
99	5	EA-1502-5	Potentiometer Assembly				
118	1	EA-1504-5	Base Assembly—Potentiometer			x	1
117	1	EA-1512-2	Base			x	1
117	2	EA-6506	Resistor			x	1
117	3	EA-6522	Support			x	1
117	4	AN510B3-3	Screw, FH 3 56 x 3/16 in.			x	2
117	5	EA-1516	Shaft			x	2
117	6	EA-1524	Lever—Adjustment R -			x	1
117	7	EA-1527	Lever—Adjustment R +			x	1
117	8	EA-1522	Washer			x	1
117	9	EA-1523	Bushing			x	3
117	10	EA-1526	Eccentric—Adjustment			x	1
117	11	Comm	Wire connection, 6/38, copper wire black x 2 in. lg (EA-7945-4)			x	2
							1
117	12	EA-1576	Stud				
117	13	Comm	Lead, Lenz Mfg. Co. (EA-6526)			x	1
118	2	EA-1257	Washer			x	2
118	3	EA-1505	Arm Assembly—Contact			x	2
118	3A	EA-1514	Arm—Contact				
118	3B	EA-1658	Shoe—Contact arm			x	1
118	3C	EA-1631	Blade—Contact arm			x	1
							1

Section II
Group Assembly Parts List

EO 20-85BA-4

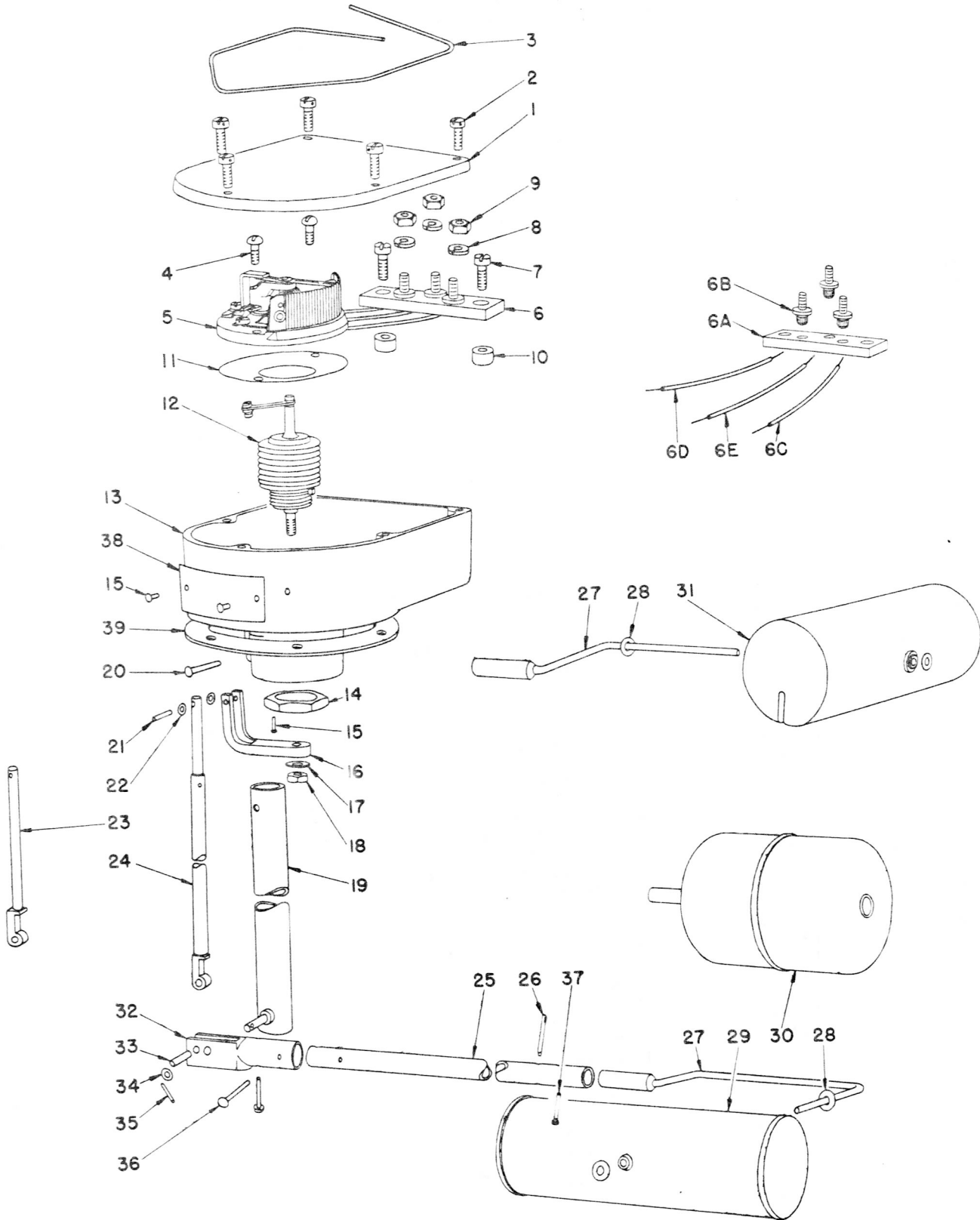


Figure 99—Tank Unit EA-16 and EA-66

RESCINDED

Fig. No.	Index No.	Part No.	Nomenclature	EA-1612-189630-1							EA-1612-189726-1	EA-6612-141	Units Per Assy
				1	2	3	4	5	6	7			
118	3D	EA-1550	Washer—Spring									x	1
118	3E	Comm	Eyelet, Waterbury Co. Part No. 9966 (EA-1518)									x	1
118	3F	EA-1582	Washer									x	1
118	4	EA-1575	Spring									x	1
118	5	Comm	Pin—Locking (copper) No. 18 B & S ga x 3/8 in. lg (EA-1229)									x	1
118	6	EA-1520	Contactor—Contact arm									x	1
118	7	660-51	Lug—Solder									x	1
118	8	AN935B6	Washer—Lock									x	1
118	9	AN520B6-4	Screw, RH 6 40 x 1/4 in.									x	1
99	6	EA-6621	Block Assembly—Terminal									x	1
99	6A	EA-6620	Block—Terminal									x	1
99	6B	EA-2016	Stud—Terminal									x	1
99	6C	Comm	Lead (copper) B & S ga No. 20 x 5 (EA-1228)									x	3
99	7	AN500B8-8	Screw, fil hd 8 32 x 1/2 in.									x	1
99	8	AN935B8	Washer—Lock							x		x	2
99	9	AN340B8	Nut—Hex							x		x	3
99	10	EA-1432	Spacer—Terminal Block							x		x	3
99	11	EA-1583	Pad—Insulating							x		x	2
99	12	EA-1203	+Seal Assembly—Bellows							x		x	1
79	1	EA-1445	Bellows							x		x	1
79	2	EA-6507	Holder Assembly—Bellows							x		x	1
79	2A	EA-1232	Lever—Bellows							x		x	1
79	2B	EA-1446	Holder—Bellows							x		x	1
79	2C	EA-1233	Pin							x		x	1
79	2D	EA-1274	Pin—Locating							x		x	1
79	3	EA-1236	Stud—Bearing							x		x	1
79	4	EA-6503	Link Assembly							x		x	1
79	4A	EA-1235	Link							x		x	1
79	4B	EA-1237	Screw							x		x	1
79	4C	EA-1238	Washer							x		x	1
79	4D	EA-1239	Nut							x		x	1
99	13	EA-1611	Housing							x		x	1
99	14	EA-1242	Nut							x		x	1
99	15	AN430-2-4	Rivet							x		x	1
99	16	EA-1246	Arm							x		x	2
99	17	AN960B10	Washer							x		x	1
99	18	AN345B10	Nut, hex							x		x	1
99	19	EA-1205-223	Pipe Assembly—Fulcrum							x		x	1
99	19	EA-1205-113	Pipe Assembly—Fulcrum							x		x	1
99	19	EA-1205-129	Pipe Assembly—Fulcrum							x		x	1
77	1	EA-1259-223	Pipe—Fulcrum							x		x	1
77	1	EA-1259-113	Pipe—Fulcrum							x		x	1
77	1	EA-1259-129	Pipe—Fulcrum							x		x	1
77	2	EA-1260	Stud—Fulcrum							x		x	1
77	3	EA-1591B	Plug—Fulcrum							x		x	1
99	20	AN430-4-18	Rivet							x		x	1
99	21	EA-1258	Pin—Operating							x		x	1
99	22	8227	Washer							x		x	1
99	23	EA-8589	Rod—Operating							x		x	2
99	24	EA-9901-25	Rod Assembly—Operating							x		x	1
99	24	EA-9901-76	Rod Assembly—Operating							x		x	1
77	4	EA-1247	Extension—Operating rod							x		x	1
77	5	EA-1253-125	Rod—Operating							x		x	1
77	5	EA-1253-176	Rod—Operating							x		x	1
77	6	EA-8550	Link—Operating							x		x	1
77	7	AN430D2-2	Rivet							x		x	1
99	25	EA-1252-257	Arm—Float							x		x	2
99	25	EA-1252-268	Arm—Float							x		x	1
99	25	EA-1252-372	Arm—Float							x		x	1
99	26	AN380B2-2	Pin—Cotter							x		x	1
99	27	EA-1255A	Fork—Float with bushing							x		x	1

Section II

Group Assembly Parts List

Fig. No.	Index No.	Part No.	Nomenclature							EA-1612-189630-1	EA-1612-189726-1	EA-6612-141	Units Per Assy
			1	2	3	4	5	6	7				
99	27	EA-1255-2A									x	1	
78	12	EA-1255								x		1	
78	12	EA-1255-2									x	1	
78	14	EA-1254								x	x	1	
99	28	EA-1257								x	x	2	
99	29	EA-1256								x		1	
78	5	EA-1625								x		1	
78	6	EA-1626								x		2	
78	7	EA-1280								x		1	
78	8	EA-1080								x		1	
99	30	EA-1291M							x			1	
78	9	EA-1291-1							x			1	
78	10	EA-1291-2							x			1	
78	11	EA-1292							x			1	
78	11A	EA-1240							x			1	
78	11B	EA-1241							x			1	
78	11C	EA-1281							x			1	
99	31	EA-1294									x	1	
78	1	EA-1270									x	1	
78	2	EA-1280									x	1	
78	3	EA-1268									x	2	
78	4	EA-1269-1									x	1	
99	32	EA-8523								x		1	
99	32	EA-8526							x		x	1	
99	33	EA-1245							x	x	x	1	
99	34	AN960B8							x	x	x	1	
99	35	Comm							x	x	x	1	
99	36	Comm							x	x	x	2	
99	37	8229							x	x	x	1	
99	38	EA-1278							x	x	x	1	
99	15	AN430-2-4							x	x	x	2	
99	39	8262							x	x	x	1	

Fig. No.	Index No.	Part No.	Nomenclature							Units Per Assy	
			1	2	3	4	5	6	7		
		EA-1612A-18R9715									
99	4	AN515B8-8									2
99	5	EA-1502-1									1
99	13	EA-1612									1
99	19	EA-1205-113									1
99	23	EA-8589									1
99	25	EA-1252-491									1
99	27	EA-1255A									1
99	28	EA-1257									1
99	29	EA-1290M									2
99	32	EA-8523									1

RESCINDED

ALL OTHER PARTS TO COMPLETE TANK UNIT
FOUND ON FIGURE 99

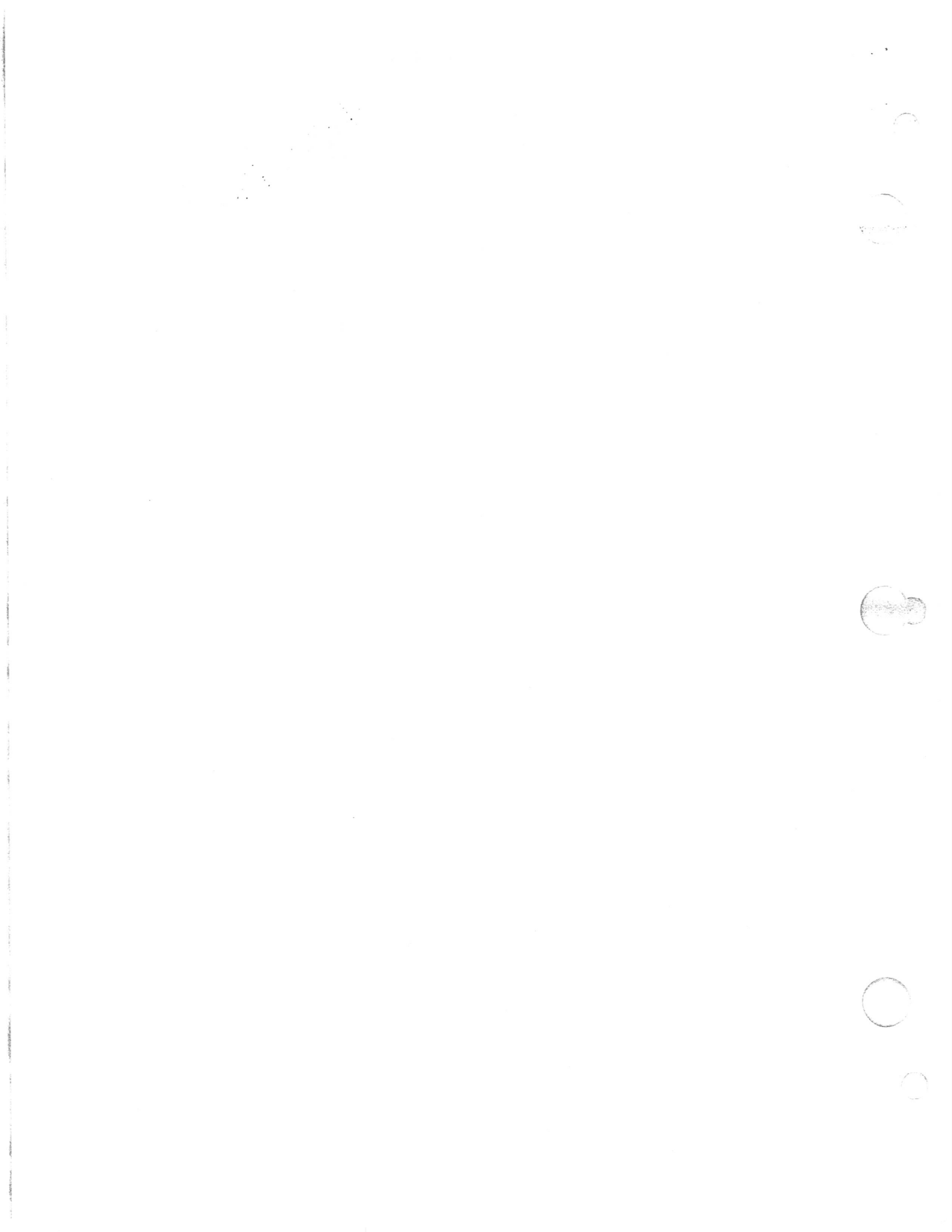


Fig. No.	Index No.	Part No.	Nomenclature	1 2 3 4 5 6 7						Units Per Assy
				EA-1611A-29-0-1004						
			Tank Unit Assembly							
100	1	EA-1012	Cover—Housing					x		1
100	2	AN503B10-8	Screw					x		5
100	3	EA-8256	Wire—Locking (brass) 1 32 x 17 in. lg					x		1
100	4	AN515B8-8	Screw, 8 32 x 1/2 in.					x		2
100	5	EA-1502-1	Potentiometer Assembly					x		1
71	1	EA-1504-1	Base Assembly—Potentiometer					x		1
72	1	EA-1512	Base					x		1
72	2	EA-1521	Resistor					x		1
72	3	Comm	Eyelet, Stimpson Co. Part No. A-1177 (EA-1548)					x		2
72	4	EA-1516	Shaft					x		1
72	5	EA-1524	Lever—Adjustment R —					x		1
72	6	EA-1527	Lever—Adjustment R +					x		1
72	7	EA-1522	Washer					x		1
72	8	EA-1523	Bushing					x		3
72	9	EA-1526	Eccentric—Adjustment					x		1
72	10	EA-1576	Stud					x		2
71	2	EA-1257	Washer					x		1
71	3	EA-1505	Arm Assembly—Contact					x		2
71	3A	EA-1514	Arm—Contact					x		1
71	3B	EA-1658	Shoe—Contact arm					x		1
71	3C	EA-1631	Blade—Contact arm					x		1
71	3D	EA-1550	Washer—Spring					x		1
71	3E	Comm	Eyelet, Waterbury Co. Part No. 9966 (EA-1518)					x		1
71	3F	EA-1582	Washer					x		1
71	4	EA-1575	Spring					x		1
71	5	Comm	Pin—Locking (copper) No. 18 B & S ga x 3/8 in. (EA-1229)					x		1
71	6	EA-1520	Contact—Contact arm					x		1
71	7	660-51	Lug—Solder					x		1
71	8	AN935B6	Washer—Lock					x		1
71	9	AN520B6-4	Screw, RH 6 40 x 1/4 in.					x		1
100	6	EA-1261	Block Assembly—Terminal					x		1
100	6A	EA-1262	Block—Terminal					x		1
100	6B	EA-2016	Stud—Terminal					x		1
100	6C	Comm	Lead (copper) B & S ga No. 20 x 3 in. lg (EA-1226)					x		3
100	6D	Comm	Lead (copper) B & S ga No. 20 x 6 in. lg (EA-1227)					x		1
100	6E	Comm	Lead (copper) B & S ga No. 20 x 5 in. lg (EA-1228)					x		1
100	7	AN500B8-8	Screw, Fil hd 8 32 x 1/2 in.					x		2
100	8	AN935B8	Washer—Lock					x		3
100	9	AN340B-8	Nut, Hex					x		3
100	10	EA-1432	Spacer—Terminal Block					x		2
100	11	EA-1583	Pad—Insulating					x		1
100	12	EA-1203	+Seal Assembly—Bellows					x		1
79	1	EA-1445	Bellows					x		1
79	2	EA-6507	Holder Assembly—Bellows					x		1
79	2A	EA-1232	Lever—Bellows					x		1
79	2B	EA-1446	Holder—Bellows					x		1
79	2C	EA-1233	Pin					x		1
79	2D	EA-1274	Pin—Locating					x		1
79	3	EA-1236	Stud—Bearing					x		1
79	4	EA-6503	Link Assembly					x		1
79	4A	EA-1235	Link					x		1
79	4B	EA-1237	Screw					x		1
79	4C	EA-1238	Washer					x		1
79	4D	EA-1239	Nut					x		1
100	13	EA-1611	Housing					x		1
100	14	EA-1242	Nut					x		1
100	15	AN430-2-4	Rivet					x		1
100	16	EA-1246	Arm					x		1
100	17	AN960B10	Washer					x		1
100	18	AN345B10	Nut, hex					x		1
100	19	EA-1205-108	Pipe Assembly—Fulcrum					x		1
100	20	AN430-4-5	Rivet					x		3
100	21	EA-6571	Strap Clamp—Float stop					x		1

RESCINDED

Section II
Group Assembly Parts List

EO 20-85BA-4

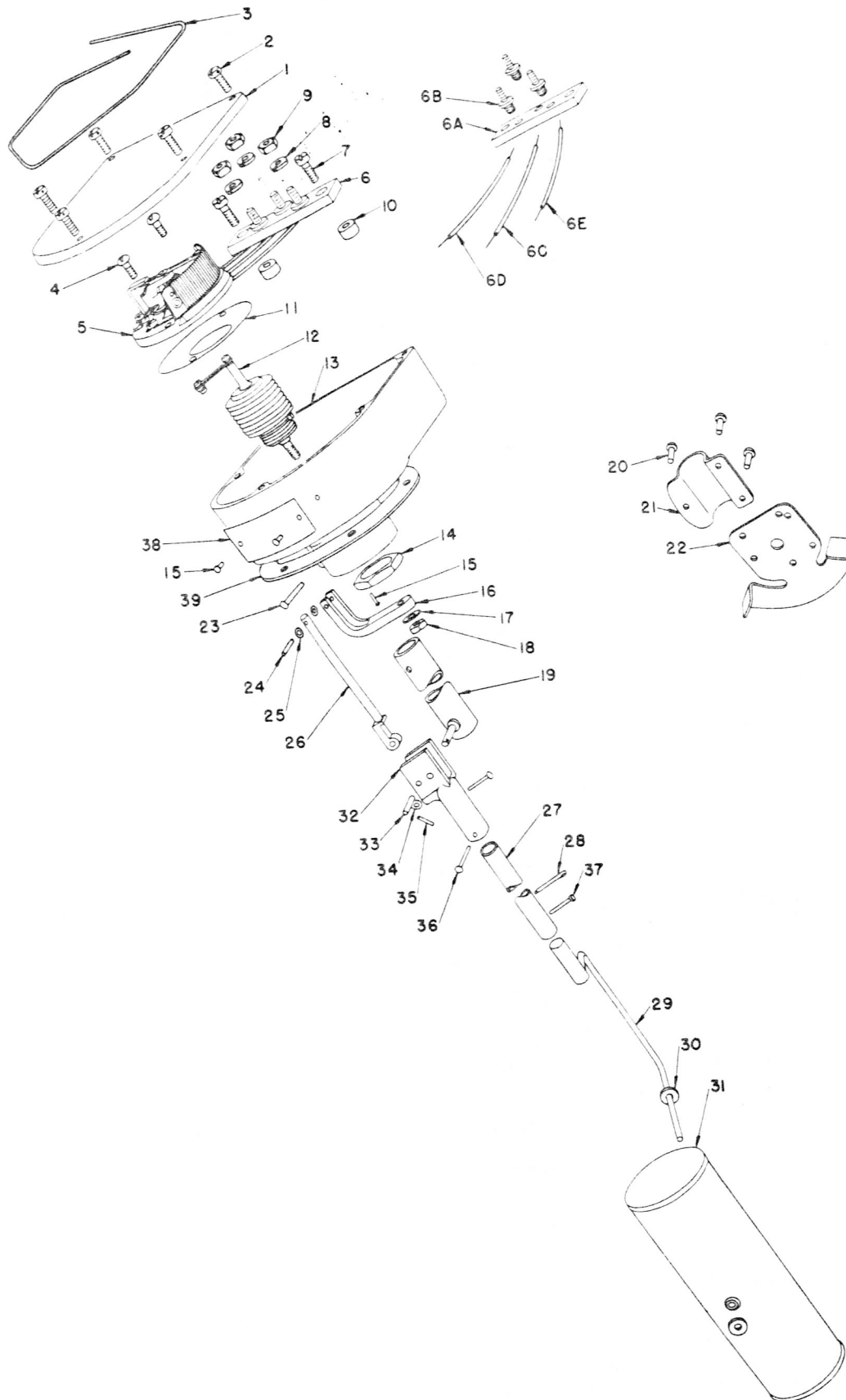


Figure 100—Tank Unit EA-16A

Fig. No.	Index No.	Part No.	Nomenclature							EA-1611A-29-0-1004	Units Per Assy
			1	2	3	4	5	6	7		
100	22	EA-6573									
77	1	EA-1259-108								x	1
77	2	EA-1260								x	1
77	3	EA-1591B								x	1
100	23	AN430-4-18								x	1
100	24	EA-1258								x	1
100	25	8227								x	1
100	26	EA-8589								x	2
100	27	EA-1252-207								x	1
100	28	AN380B2-2								x	1
100	29	EA-1255A								x	1
78	12	EA-1255								x	1
78	14	EA-1254								x	1
100	30	EA-1257								x	1
100	31	EA-8510								x	2
78	5	EA-8518								x	1
78	6	EA-1626								x	1
78	7	EA-1280								x	2
78	8	EA-8519								x	1
100	32	EA-8525								x	1
100	33	EA-1245								x	1
100	34	AN960B8								x	1
100	35	Comm								x	1
100	36	Comm								x	2
100	37	8229									
100	38	EA-1278								x	1
100	15	AN430-2-4								x	1
100	39	8262								x	2
										x	1

RESCINDED



Fig. No.	Index No.	Part No.	Nomenclature							EA-17-217869	EA-17W-214190	EA-67VS-13350AB	Units Per Assy
			1	2	3	4	5	6	7				
101	1	EA-1431											
101	2	EA-1465								x	x	1	
101	3	AN935B8								x	x	5	
101	4	EA-1701-1								x	x	5	
101	4	EA-1701S-1								x		1	
101	4	EA-1701-2								x		1	
103	1	EA-1730-814-2								x	x	1	
103	1	EA-1730-814-2								x		1	
103	1	EA-1730-814-5								x		1	
103	2	AND10066-14S-2P									x	1	
103	2	AND10066-14S-2P								x		1	
103	2	AND10066-14S-1P								x		1	
103	3	AN500B4-6									x	1	
103	4	AN936A-4								x	x	4	
103	5	AN340B4								x	x	4	
103	6	EA-1502-10								x	x	4	
110	1	EA-1504-10								x		1	
109	1	EA-1512								x		1	
109	2	EA-1521								x		1	
109	3	Comm								x		1	
109	4	EA-1516								x		2	
109	5	EA-1524								x		1	
										x		1	

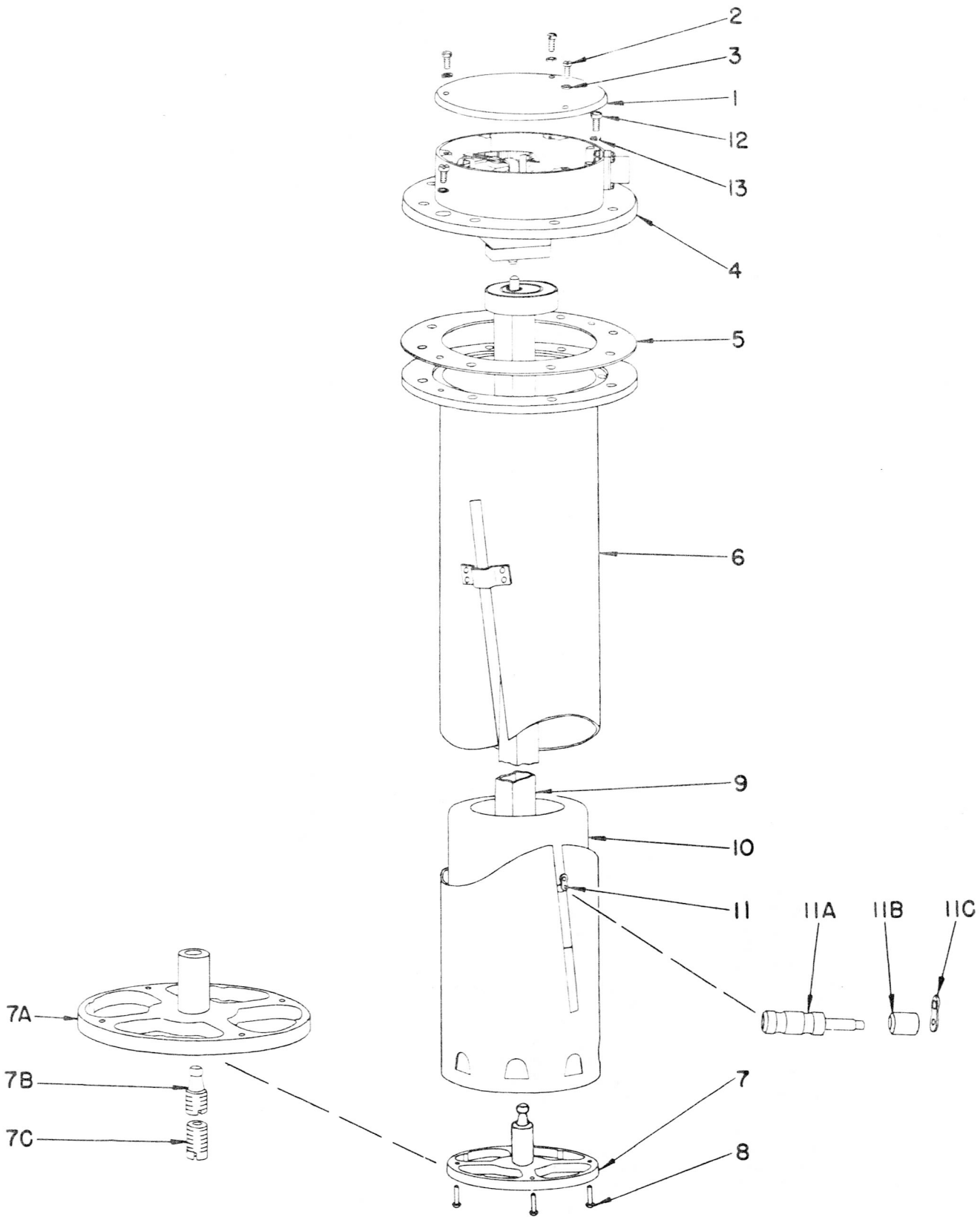
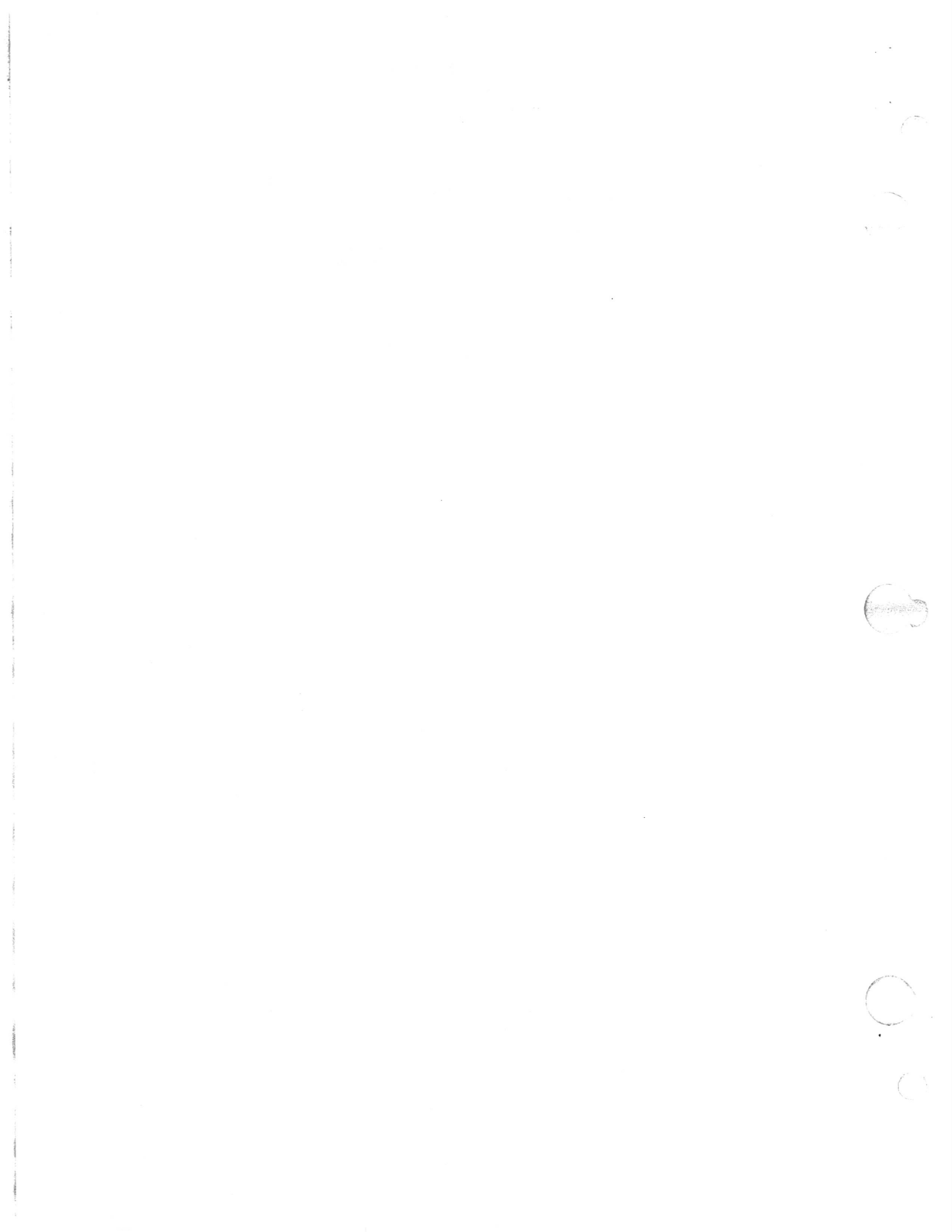


Figure 101—Tank Unit EA-17, EA-17W and EA-67

Fig. No.	Index No.	Part No.	1	2	3	4	5	6	7	Nomenclature	Units Per Assy
101		EA-67WVS-43103								Tank Unit	
101	4	EA-6701S								Housing Assembly	1
103	1	EA-1730-814-5								Housing	1
103	2	EA-4507A								Receptacle	1
103	6	EA-1502S-11								Potentiometer Assembly	1
112	2	EA-6506								Resistor	1
110	3	EA-1505S								Arm Assembly—Contact	1
110	9	EA-1508								†Switch Assembly—Warning	1
101	6	EA-1407-14								Complete Tube Assembly—Housing	1
101	9	EA-1702C-2								Tube Assembly—Float Guide	1
101	10	EA-7701								Float Assembly	1

RESCINDED

ALL OTHER PARTS TO COMPLETE THIS TANK UNIT WILL BE
FOUND LISTED UNDER EA-67VS-13350AB
FIGURE 101



RESCINDED

Fig. No.	Index No.	Part No.	Nomenclature							EA-17-217869	EA-17W-214190	EA-67VS-13304B	Units Per Assy
			1	2	3	4	5	6	7				
109	6	EA-1527											
109	7	EA-1522								x			1
109	8	EA-1523								x			3
109	9	EA-1526								x			1
110	2	EA-1257								x			2
110	3	EA-1505								x			2
110	3A	EA-1514								x			1
110	3B	EA-1658								x			1
110	3C	EA-1631								x			1
110	3D	EA-1550								x			1
110	3E	Comm								x			1
110	3F	EA-1582								x			1
110	4	Comm								x			1
110	5	EA-1520											1
110	6	660-51								x			1
110	7	AN935B6								x			1
110	8	AN520B6-4								x			1
103	6	EA-1502S-10								x			1
111	1	EA-1504-10									x		1
109	1	EA-1512									x		1
109	2	EA-1521									x		1
109	3	Comm									x		1
109	4	EA-1516											2
109	5	EA-1524											1
109	6	EA-1527											1
109	7	EA-1522											1
109	8	EA-1523											3
109	9	EA-1526											1
111	2	EA-1257											2
111	3	EA-1505S											2
111	3A	EA-1505											1
110	3A	EA-1514											1
110	3B	EA-1658											1
110	3C	EA-1631											1
110	3D	EA-1550											1
110	3E	Comm											1
110	3F	EA-1582											1
111	3B	Comm											1
111	3C	EA-1559											1
111	3D	EA-1550											1
111	4	Comm											1
111	5	EA-1520											1
111	6	660-51											1
111	7	AN935B6											1
111	8	AN520B6-4											1
111	9	EA-1508											1
75	1	EA-6511											1
75	1A	EA-1645											1
76	1	EA-1641											1
76	2	EA-1598											1
76	3	EA-1556											1
76	4	Comm											1
75	1B	EA-1510											2
76	5	EA-6510											1
76	5A	EA-1554											1
76	5B	EA-1567-1											1

Section II
Group Assembly Parts List

EO 20-85BA-4

Fig. No.	Index No.	Part No.	Nomenclature								Units Per Assy	
				1	2	3	4	5	6	7		
76	6	EA-1557	Retainer-Diaphragm								x	1
76	7	EA-1566	Diaphragm								x	1
76	8	Comm	Cord—Waxed, dental floss, Johnson and Johnson (EA-7820)								x	1
											x	1
75	1C	EA-1656	Shaft—Stem								x	1
75	2	EA-1555	Arm—Contact								x	1
75	3	EA-1569	Pin—Contact arm								x	1
75	4	EA-1646	Cover Assembly								x	1
75	4A	EA-1643	Cover								x	1
75	4B	EA-1647-1	Contact								x	1
75	4C	EA-1655	Strip—Connection								x	1
75	4D	Comm	Pin—Bank No. 5 (EA-3924)								x	1
111	10	AN515B3-4	Screw, RH 3 48 x 1/4 in.								x	1
111	11	EA-1657	Spacer								x	1
111	12	AN515B3-5	Screw, RH 3 48 x 5/16 in.								x	1
103	6	EA-1502-11	Potentiometer Assembly								x	1
113	1	EA-1504-11	Base Assembly—Potentiometer								x	1
112	1	EA-1512-2	Base								x	1
112	2	EA-6506	Resistor								x	1
112	3	EA-6522	Support								x	2
112	4	AN510B3-3	Screw, FH 3 56 x 3/16 in.								x	2
112	5	EA-1516	Shaft								x	1
112	6	EA-1524	Lever—Adjustment R —								x	1
112	7	EA-1527	Lever—Adjustment R +								x	1
112	8	EA-1522	Washer								x	3
112	9	EA-1523	Bushing								x	1
112	10	EA-1526	Eccentric—Adjustment								x	2
112	11	Comm	Wire—Connection (6/38 copper) wire black x 1/2 in. lg (EA-7945-1)								x	1
112	12	Comm	Lead, Lenz Mfg. Co. EA-6526)								x	2
113	2	EA-1257	Washer								x	2
113	3	EA-1505	Arm Assembly—Contact								x	1
113	3A	EA-1514	Arm—Contact								x	1
113	3B	EA-1658	Shoe—Contact arm								x	1
113	3C	EA-1631	Blade—Contact arm								x	1
113	3D	EA-1550	Washer—Spring								x	1
113	3E	Comm	Eyelet, Waterbury Co. Part No. 9966 (EA-1518)								x	1
113	3F	EA-1582	Washer								x	1
113	4	Comm	Pin—Locking (copper) No. 18 B & S ga x 3/8 in. lg (EA-1229)								x	1
113	5	EA-1520	Contact—Contact arm								x	1
113	6	660-51	Lug—Solder								x	1
113	7	AN935B6	Washer—Lock								x	1
113	8	AN520B6-4	Screw, RH 6 40 x 1/4 in.								x	1
103	7	EA-1583	Pad—Insulating								x	1
103	8	Comm	Lug—Solder, Waterbury Co. No. 8462 brass (EA-1630-1)								x	1
103	9	AN935B8	Washer—Lock								x	2
103	10	AN515B8-4	Screw, RH 8 32 x 1/4 in.								x	2
103	11	EA-1410	†Seal Assembly—Bellows								x	1
104	1	EA-1445	Bellows								x	1
104	2	EA-1446	Holder—Bellows								x	1
104	3	EA-1411	Lever—Bellows								x	1
104	4	EA-1233	Pin								x	1
104	5	EA-1274	Pin—Locating								x	1
104	6	EA-1412	Roller—Bellows lever								x	1
104	7	EA-1413	Pin—Bellows lever roller								x	1
104	8	EA-1235	Link								x	1
104	9	EA-1236	Stud—Bearing								x	1
104	10	EA-1237	Screw								x	1
104	11	EA-1238	Washer								x	1

RESCINDED

Fig. No.	Index No.	Part No.	Nomenclature	EA-17-217869			EA-17W-214190	EA-67VS-13350AB	Units Per Assy
				1	2	3	4	5	
104	12	EA-1239	Nut						
103	12	EA-1242	Nut	x			x	x	1
103	13	AN430-2-4	Rivet	x			x	x	1
103	14	EA-1433	Bearing—Float guide upper	x			x	x	1
103	15	EA-1469	Dowl	x			x	x	1
103	16	EA-1439	Screw	x			x	x	2
103	17	EA-1734	Stud—Spring	x			x	x	2
103	18	EA-1733	Bushing—Insulating	x			x		1
103	19	EA-1451	Spring	x			x		1
103	20	Comm	Lead (copper) B & S ga No. 20 cut as required (EA-1540)	x			x		1
103	21	EA-1278	Plate—Name						
103	22	AN430-2-4	Rivet	x			x	x	1
101	5	EA-1435	Gasket	x			x	x	1
101	6	EA-1407-16	Complete Tube Assembly—Housing	x			x	x	2
105	1	EA-1466-16	Tube—Housing	x			x		1
105	2	EA-1467-1	Flange—Housing tube	x			x		1
105	3	AN430-4-4	Rivet	x			x		1
105	4	EA-1456	Brace—Tubing slot	x			x		8
105	5	AN430-3-4	Rivet	x			x		4
101	6	EA-1407-14	Complete Tube Assembly—Housing	x			x		16
105	1	EA-1466-14	Tube—Housing					x	1
105	2	EA-1467-1	Flange—Housing tube					x	1
105	3	AN430-4-4	Rivet					x	1
105	4	EA-1456	Brace—Tube slot					x	8
105	5	AN430-3-4	Rivet					x	7
101	7	EA-7709-1	Flange—Lower assembly					x	28
101	7A	EA-7718-2	Flange	x			x	x	1
101	7B	EA-7722	Bearing—Screw	x			x	x	1
101	7C	EA-7721	Screw—Set	x			x	x	1
101	8	AN430-4-8	Rivet	x			x	x	1
101	9	EA-7702-2	Tube Assembly—Float guide	x			x	x	4
106	1	EA-7724-2	Tube—Float guide					x	1
106	2	EA-1426	Bearing—Float guide (lower)					x	1
106	3	EA-1427	Rivet—Float guide bearing					x	1
106	4	EA-1428	Ball—Float guide thrust					x	2
106	5	EA-1425-1	Stud—Float guide bearing					x	1
106	6	EA-1468	Pin—Float guide cam					x	1
106	7	EA-1729	Cam—Float guide					x	1
106	8	EA-1434	Nut—Float guide cam					x	1
101	9	EA-7702-4	Tube Assembly—Float guide					x	1
106	1	EA-7724-4	Tube—Float guide	x			x		1
106	2	EA-1426	Bearing—Float guide (lower)	x			x		1
106	3	EA-1427	Rivet—Float guide bearing	x			x		1
106	4	EA-1428	Ball—Float guide thrust	x			x		2
106	5	EA-1425-1	Stud—Float guide bearing	x			x		1
106	6	EA-1468	Pin—Float guide cam	x			x		1
106	7	EA-1729	Cam—Float guide	x			x		1
106	8	EA-1434	Nut—Float guide cam	x			x		1
101	10	EA-7701	Float Assembly	x			x		1
107	1	EA-7719	Float	x			x		1
107	2	EA-7703	Roller Bearing Plate Assembly	x			x	x	1
107	2A	EA-7730	Roller Bearing Plate	x			x	x	2
107	2B	EA-7708	Roller Assembly	x			x	x	2
107	2B1	EA-7729	Roller—Half	x			x	x	4
107	2B2	EA-7728	Bushing	x			x	x	8
107	2C	EA-7732	Washer	x			x	x	4
107	2D	EA-7731	Pin—Bearing	x			x	x	8
107	3	EA-7715	Stud	x			x	x	4
101	11	EA-1404	Roller Assembly—Float actuating	x			x	x	4
101	11A	EA-1414	Pin—Float guide actuating	x			x	x	1
101	11B	EA-1448	Roller—Actuating pin	x			x	x	1
101	11C	EA-1447	Washer—Actuating pin roller	x			x	x	1
101	12	AN501B10-6	Screw, Fil hd 10	x			x	x	1
101	13	AN935B10	Washer—Lock	x			x	x	1
				x			x	x	2

Section II
Group Assembly Parts List

EO 20-85BA-4

Fig. No.	Index No.	Part No.	Nomenclature								Units Per Assy	
				1	2	3	4	5	6	7		
			Tank Unit Assembly									
102	1	EA-1431	Cover—Housing	x					x			1
102	2	EA-1465	Screw	x					x			5
102	3	AN935B8	Washer—Lock	x					x			5
102	4	EA-1701S-1	Housing Assembly							x		1
102	4	EA-1701S-2	Housing Assembly	x					x			1
103	1	EA-1730-814-2	Housing (used with EA-1701S-1)							x		1
103	1	EA-1730-814-3	Housing (used with EA-1701S-2)	x					x			1
103	2	EA-1003-3-20	Receptacle	x					x			1
103	2	AND10066-14S-2P	Receptacle							x		1
103	3	AN500B4-6	Screw	x					x			4
103	4	936A-4	Washer—Lock	x					x			4
103	5	AN340B4	Nut	x					x			4
103	6	EA-1502S-10	Potentiometer Assembly	x					x			1
111	1	EA-1504-10	Base Assembly—Potentiometer	x					x			1
109	1	EA-1512	Base	x					x			1
109	2	EA-1521	Resistor	x					x			1
109	3	Comm	Eyelet, Stimpson Co. Part No. A-1177 EA-1548)	x					x			2
109	4	EA-1516	Shaft	x					x			1
109	5	EA-1524	Lever—Adjustment R —	x					x			1
109	6	EA-1527	Lever—Adjustment R +	x					x			1
109	7	EA-1522	Washer	x					x			3
109	8	EA-1523	Bushing	x					x			1
109	9	EA-1526	Eccentric—Adjustment	x					x			2
111	2	EA-1257	Washer	x					x			2
111	3	EA-1505S	Arm—Contact and Switch Arm Assembly	x					x			1
111	3A	EA-1505	Arm Assembly—Contact	x					x			1
110	3A	EA-1514	Arm—Contact	x					x			1
110	3B	EA-1658	Shoe—Contact arm	x					x			1
110	3C	EA-1631	Blade—Contact arm	x					x			1
110	3D	EA-1550	Washer—Spring	x					x			1
110	3E	Comm	Eyelet, Waterbury Co. Part No. 9966 (EA-1518)	x					x			1
110	3F	EA-1582	Washer	x					x			1
111	3B	Comm	Eyelet, Waterbury Co. Part No. 9966 (EA-1518)	x					x			1
111	3C	EA-1559	Arm—Switch contact	x					x			1
111	3D	EA-1550	Washer—Spring	x					x			1
111	4	Comm	Pin—Locking (copper) No. 18 B & S ga x 3/8 in. lg (EA-1229)	x					x			1
111	5	EA-1520	Contact—Contact arm	x					x			1
111	6	660-51	Lug—Solder	x					x			1
111	7	AN935B6	Washer—Lock	x					x			1
111	8	AN520B6-4	Screw, RH 6 40 x 1/4 in.	x					x			1
111	9	EA-1508	†Switch Assembly—Warning	x					x			1
75	1	EA-6511	Housing and Stem Assembly	x					x			1
75	1A	EA-1645	Housing Assembly	x					x			1
76	1	EA-1641	Housing—Warning switch	x					x			1
76	2	EA-1598	Plate—Stop	x					x			1
76	3	EA-1556	Spring—Arm return	x					x			1
76	4	AN430B2-3	Rivet, cut to 1/8 in. lg (EA-1529)	x					x			2
75	1B	EA-1510	Stem Assembly	x					x			1
76	5	EA-6510	Stem with contact point	x					x			1
76	5A	EA-1554	Stem	x					x			1
76	5B	EA-1567-1	Contact	x					x			1
76	6	EA-1557	Retainer—Diaphragm	x					x			1
76	7	EA-1566	Diaphragm	x					x			1
76	8	Comm	Cord—Waxed, dental floss Johnson & Johnson (EA-7920)	x					x			1
75	1C	EA-1656	Shaft—Stem	x					x			1

RESCINDED

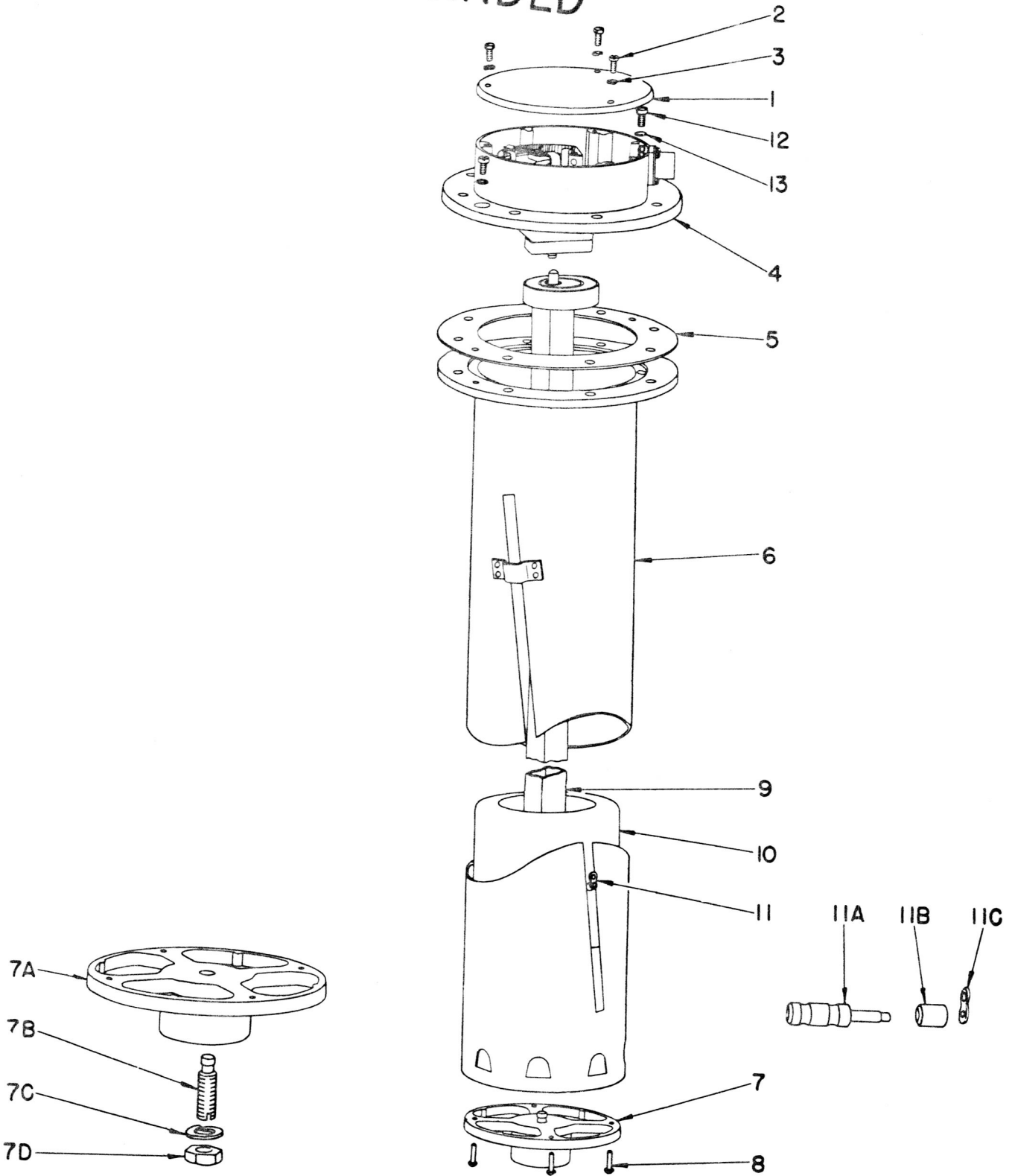


Figure 102—Tank Unit EA-17, EA-17W and EA-17BW

Section II
Group Assembly Parts List

EO 20-85BA-4

Fig. No.	Index No.	Part No.	Nomenclature								Units Per Assy		
				1	2	3	4	5	6	7			
75	2	EA-1555	Arm—Contact							x	x	x	1
75	3	EA-1569	Pin—Contact arm							x	x	x	1
75	4	EA-1646	Cover Assembly							x	x	x	1
75	4A	EA-1643	Cover							x	x	x	1
75	4B	EA-1647-1	Contact							x	x	x	1
75	4C	EA-1655	Strip—Connection							x	x	x	1
75	4D	Comm	Pin—Bank No. 5 (EA-3924)							x	x	x	1
111	10	AN515B3-4	Screw, RH 3 48 x 1/4 in.							x	x	x	1
111	11	EA-1657	Spacer							x	x	x	1
111	12	AN515B3-5	Screw, RH 3 48 x 5/16 in.							x	x	x	1
103	7	EA-1583	Pad—Insulating							x	x	x	1
103	8	Comm	Lug—Solder, Waterbury Co. No. 8462 brass (EA-1630-1)							x	x	x	1
103	9	AN935B8	Washer—Lock							x	x	x	2
103	10	AN515B8-4	Screw, RH 8-32 x 1/4 in.							x	x	x	2
103	11	EA-1410	†Seal Assembly—Bellows							x	x	x	1
104	1	EA-1445	Bellows							x	x	x	1
104	2	EA-1446	Holder							x	x	x	1
104	3	EA-1411	Lever—Bellows							x	x	x	1
104	4	EA-1233	Pin							x	x	x	1
104	5	EA-1274	Pin—Locating							x	x	x	1
104	6	EA-1412	Roller—Bellows Lever							x	x	x	1
104	7	EA-1413	Pin—Bellows Lever Roller							x	x	x	1
104	8	EA-1235	Link							x	x	x	1
104	9	EA-1236	Stud—Bearing							x	x	x	1
104	10	EA-1237	Screw							x	x	x	1
104	11	EA-1238	Washer							x	x	x	1
104	12	EA-1239	Nut							x	x	x	1
103	12	EA-1242	Nut							x	x	x	1
103	13	AN430-2-4	Rivet							x	x	x	1
104	14	EA-1433	Bearing—Float Guide Upper							x	x	x	1
103	15	EA-1469	Dowl							x	x	x	2
103	16	EA-1439	Screw							x	x	x	2
103	17	EA-1734	Stud—Spring							x	x	x	1
103	18	EA-1733	Bushing—Insulating							x	x	x	1
103	19	EA-1451	Spring							x	x	x	1
103	20	Comm	Lead (copper) B & S ga No. 20 cut as required (EA-1540)							x	x	x	1
103	21	EA-1278	Plate—Name							x	x	x	1
103	22	AN430-2-4	Rivet							x	x	x	2
102	5	EA-1435	Gasket							x	x	x	1
102	6	EA-1407-3	Complete Tube Assembly—Housing							x			1
105	1	EA-1466-3	Tube—Housing							x			1
105	2	EA-1467-1	Flange—Housing tube							x			1
105	3	AN430-4-4	Rivet							x			8
105	4	EA-1456	Brace—Tube slot							x			5
105	5	AN430-3-4	Rivet							x			20
102	6	EA-1407-4	Complete Tube Assembly—Housing								x		1
105	1	EA-1466-3	Tube—Housing								x		1
105	2	EA-1467-1	Flange—Housing								x		1
105	3	AN430-4-4	Rivet								x		8
105	4	EA-1456	Brace—Tube slot								x		7
105	5	AN430-3-4	Rivet								x		28
102	6	EA-1407-10	Complete Tube Assembly—Housing									x	1
105	1	EA-1466-10	Tube—Housing									x	1
105	2	EA-1467-1	Flange—Housing tube									x	1
105	3	AN430-4-4	Rivet									x	8
105	4	EA-1456	Brace—Tube slot									x	5
105	5	AN430-3-4	Rivet									x	20
102	7	EA-1403	Flange—Lower Assembly							x	x	x	1
102	7A	EA-1418	Flange—Housing tube (lower)							x	x	x	1
102	7B	EA-1419	Pivot—Tube flange							x	x	x	1
102	7C	AN935B516	Washer—Lock tube flange							x	x	x	1
102	7D	EA-1421	Nut—Tube flange pivot							x	x	x	1

RESCINDED

Fig. No.	Index No.	Part No.	Nomenclature								Units Per Assy		
				1	2	3	4	5	6	7			
102	8	AN430-4-8	Rivet										
102	9	EA-1702-1	Tube Assembly--Float guide										4
106	1	EA-1424	Tube--Float guide										1
106	2	EA-1426	Bearing--Float guide (lower)										1
106	3	EA-1427	Rivet--Float guide bearing										2
106	4	EA-1428	Ball--Float guide thrust										1
106	5	EA-1425-1	Stud--Float guide bearing										1
106	6	EA-1468	Pin--Float guide cam										1
106	7	EA-1729	Cam--Float guide										1
106	8	EA-1434	Nut--Float guide cam										1
102	9	EA-1702-2	Tube Assembly--Float guide										1
106	1	EA-1424-4	Tube--Float guide										1
106	2	EA-1426	Bearing--Float guide (lower)										1
106	3	EA-1427	Rivet--Float guide bearing										1
106	4	EA-1428	Ball--Float guide thrust										2
106	5	EA-1425-1	Stud--Float guide bearing										1
106	6	EA-1468	Pin--Float guide cam										1
106	7	EA-1729	Cam--Float guide										1
106	8	EA-1434	Nut--Float guide cam										1
102	9	EA-1702-7	Tube Assembly--Float guide										1
106	1	EA-1424-9	Tube--Float guide										1
106	2	EA-1426	Bearing--Float guide (lower)										1
106	3	EA-1427	Rivet--Float guide bearing										1
106	4	EA-1428	Ball--Float guide thrust										2
106	5	EA-1425-1	Stud--Float guide bearing										1
106	6	EA-1468	Pin--Float guide cam										1
106	7	EA-1429	Cam--Float guide										1
106	8	EA-1434	Nut--Float guide cam										1
102	10	EA-1409	Float Assembly										1
108	1	EA-1416	Float										1
108	2	EA-1415	Flange--Float										1
108	3	EA-1417	Roller--Float guide										2
108	4	EA-1441	Bracket--Float guide roller										4
108	5	AN430B2-6	Rivet										8
108	6	EA-1443	Rivet--Float flange										16
102	11	EA-1404	Roller Assembly Float--Actuating										4
102	11A	EA-1414	Pin--Float guide, actuating										1
102	11B	EA-1448	Roller--Actuating pin										1
102	11C	EA-1447	Washer--Actuating pin roller										1
102	12	AN501B10-6	Screw, fil hd 10 32 x 3/8 in.										1
102	13	AN935B10	Washer--Lock										2



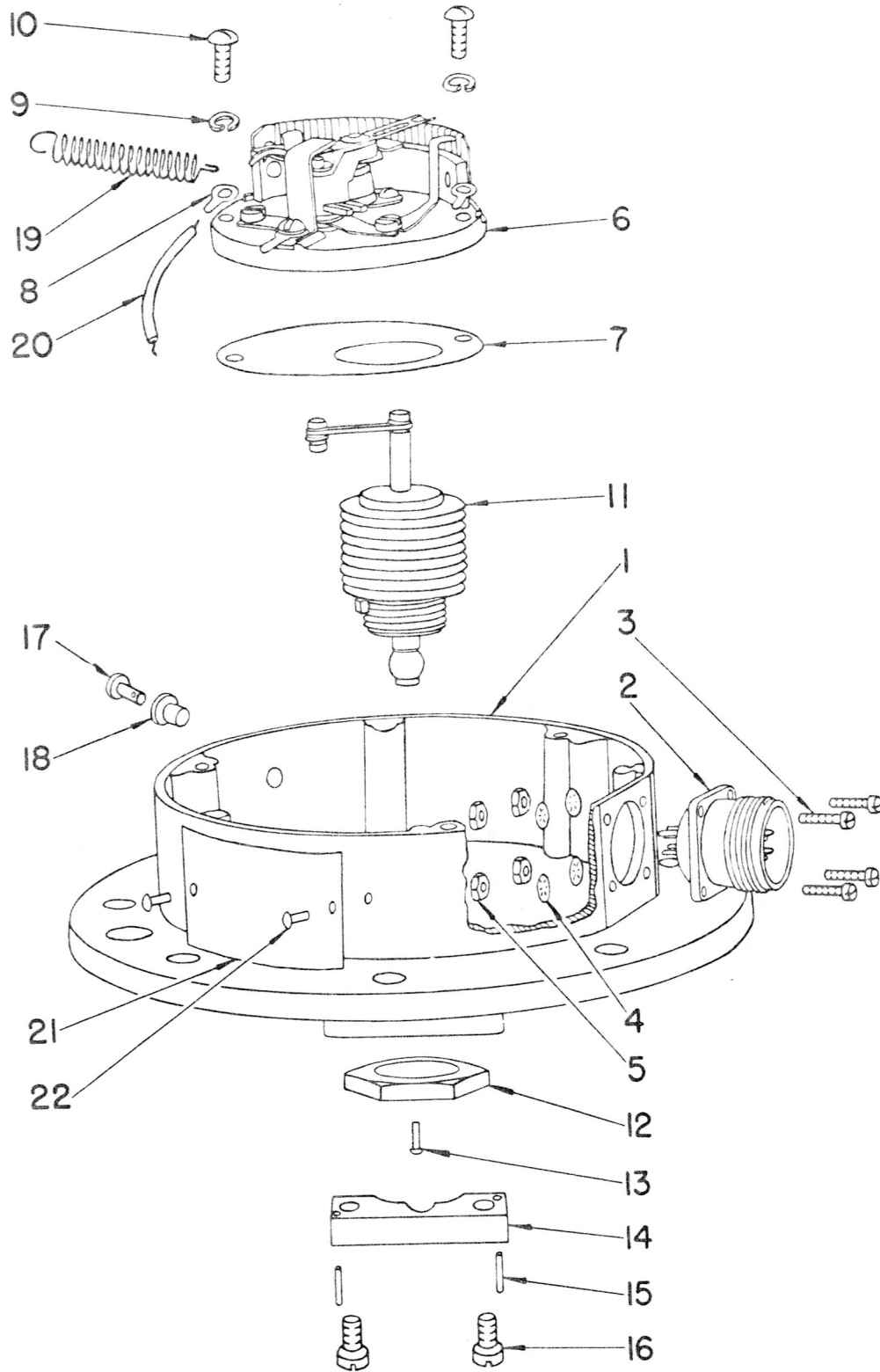
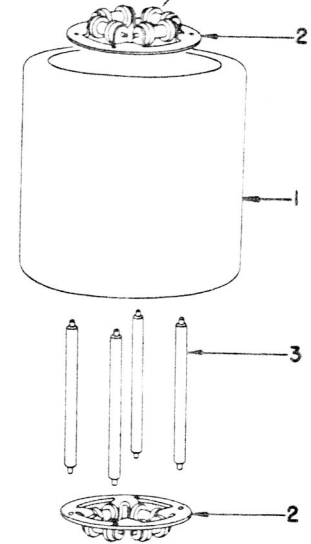
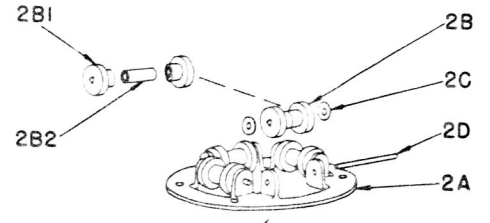
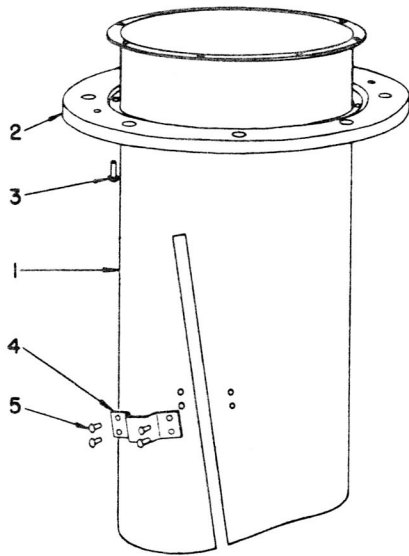
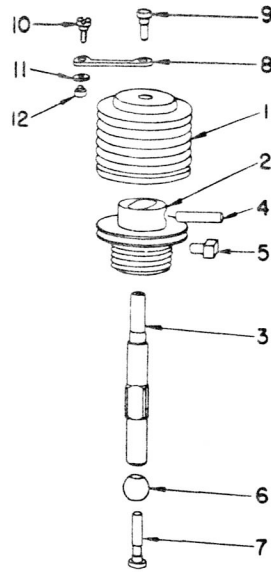
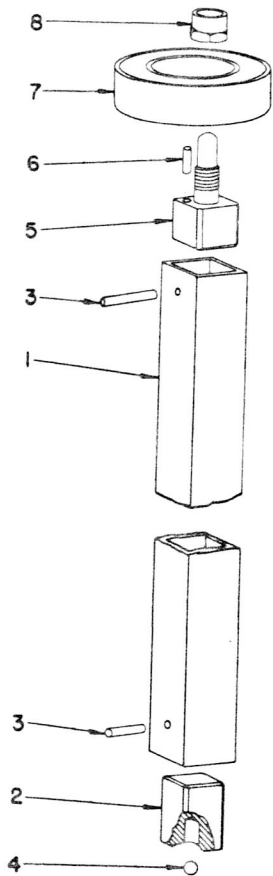


Figure 103—Housing For EA-17, EA-17W, EA-17BW and EA-67

RESCINDED



HOUSING TUBE, FLOAT GUIDE TUBE, BELLOWS AND FLOATS, FOR EA-17, EA-17BW AND EA-67

Section II
Group Assembly Parts List

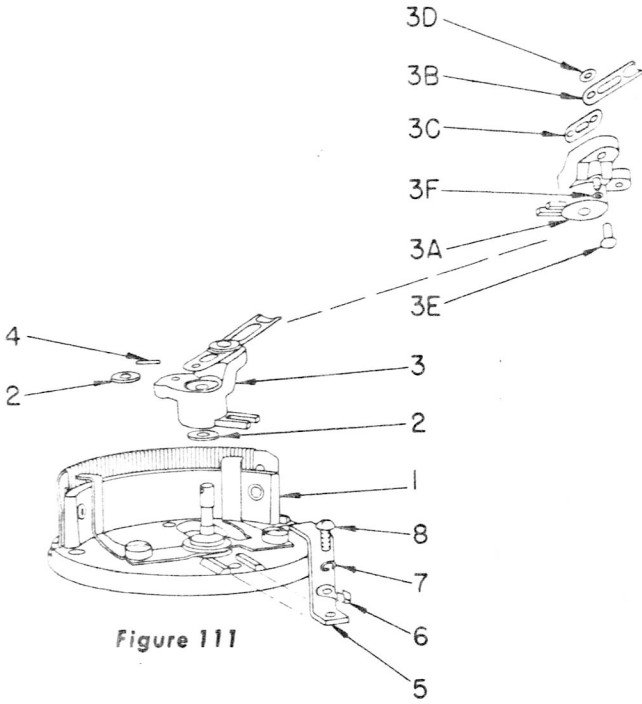


Figure 111

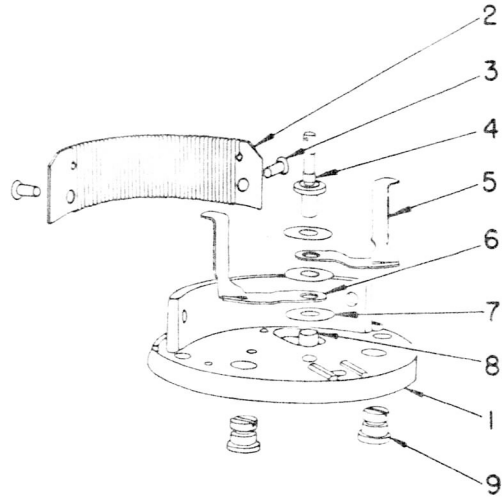


Figure 109

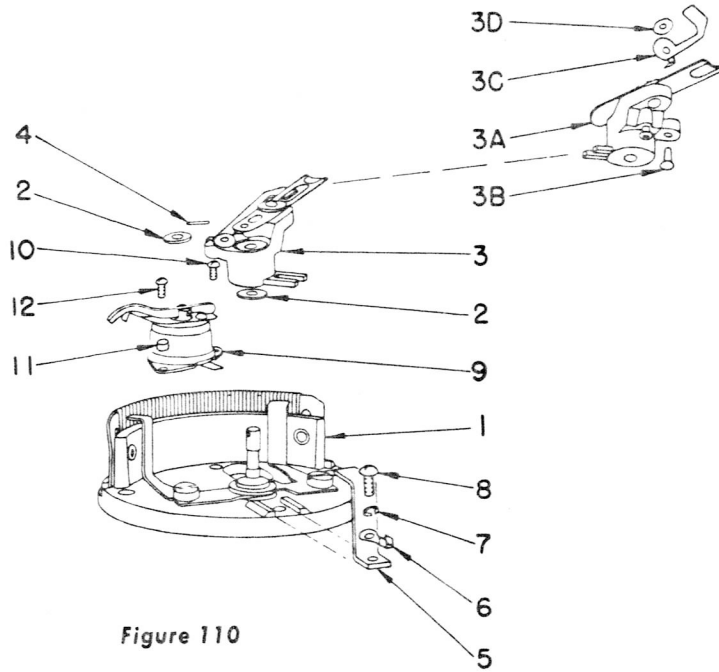


Figure 110

POTENTIOMETER

RESCINDED

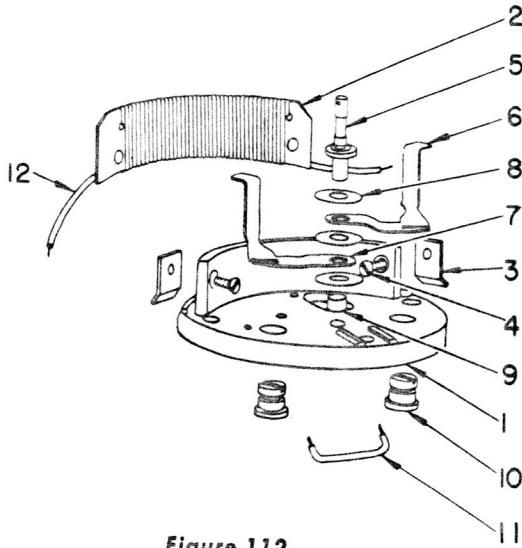


Figure 112

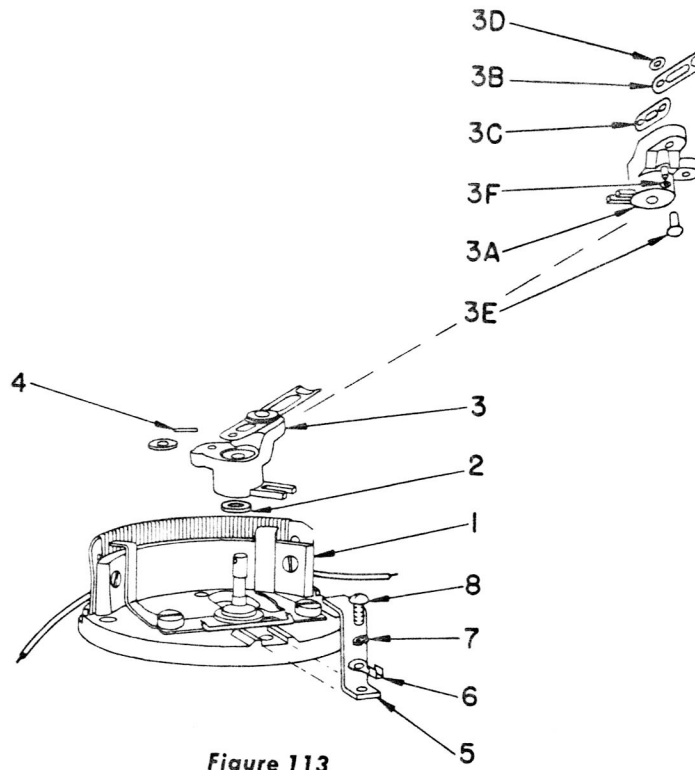


Figure 113

POTENTIOMETER

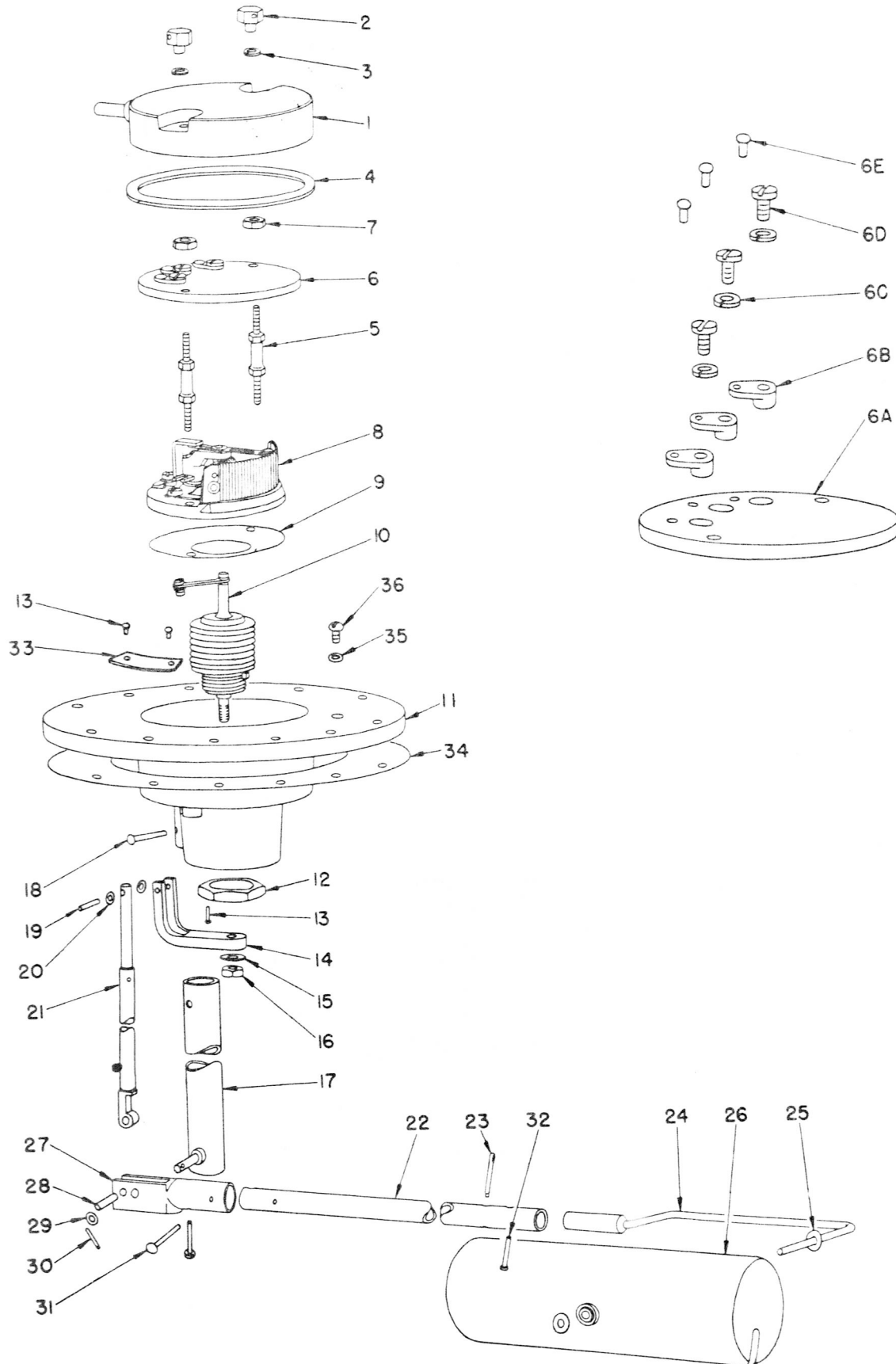


Figure 114—Tank Unit EA-18W

Fig. No.	Index No.	Part No.	Nomenclature	1 2 3 4 5 6 7							EA-18W-4099790	Units Per Assy	
				1	2	3	4	5	6	7			
114	1	EA-1801	Tank Unit Assembly										
114	2	EA-1824	Cover—Housing										
114	3	EA-1818	Nut—Cap							x			1
114	4	EA-1820	Washer							x			2
114	5	EA-1823	Casket							x			2
114	6	EA-1803	Stud							x			1
114	6A	EA-1814	Plate Assembly—Terminal							x			2
114	6B	EA-1815	Plate—Terminal							x			1
114	6C	AN935B6	Lug—Connection							x			1
114	6D	EA-1827	Washer—Lock							x			3
			Screw—Binding head No. 6 32 x 3/16 in.							x			3
114	6E	Comm	Rivet, Stimpson No. H-149 3/16 in. lg							x			3
114	7	AN340B6	Nut—Hex							x			3
114	8	EA-1502S-1	Potentiometer Assembly							x			2
73	1	EA-1504-1	Base Assembly—Potentiometer							x			1
72	1	EA-1512	Base							x			1
72	2	EA-1521	Resistor							x			1
72	3	Comm	Eyelet, Stimpson Co. Part No. A-1177 (EA-1548)							x			1
72	4	EA-1516	Shaft							x			2
72	5	EA-1524	Lever—Adjustment R —							x			1
72	6	EA-1527	Lever—Adjustment R +							x			1
72	7	EA-1522	Washer							x			1
72	8	EA-1523	Bushing							x			3
72	9	EA-1526	Eccentric—Adjustment							x			1
72	10	EA-1576	Stud							x			2
73	2	EA-1257	Washer							x			1
73	3	EA-1505S	Arm—Contact and Switch Arm Assembly							x			2
73	3A	EA-1505	Arm Assembly—Contact							x			1
71	3A	EA-1514	Arm—Contact							x			1
71	3B	EA-1658	Shoe—Contact arm							x			1
71	3C	EA-1631	Blade—Contact arm							x			1
71	3D	EA-1550	Washer—Spring							x			1
71	3E	Comm	Eyelet, Waterbury Co. Part No. 9966 (EA-1518)							x			1
71	3F	EA-1582	Washer							x			1
73	3B	EA-1518	Eyelet, Waterbury Co. Part No. 9966 (EA-1518)							x			1
73	3C	EA-1559	Arm—Switch contact							x			1
73	3D	EA-1550	Washer—Spring							x			1
73	4	EA-1575	Spring							x			1
73	5	Comm	Pin—Locking (copper) No. 18 B & S ga x 3/8 in. lg (EA-1229)							x			1
73	6	EA-1520	Contact—Contact arm							x			1
73	7	660-51	Lug—Solder							x			1
73	8	AN935B6	Washer—Lock							x			1
73	9	AN520B6-4	Screw, RH 6 40 x 1/4 in.							x			1
73	10	EA-1508	†Switch Assembly—Warning							x			1
75	1	EA-6511	Housing and Stem Assembly							x			1
75	1A	EA-1645	Housing Assembly							x			1
76	1	EA-1641	Housing—Warning switch							x			1
76	2	EA-1598	Plate—Stop							x			1
76	3	EA-1556	Spring—Arm return							x			1
76	4	AN430B2-3	Rivet, cut to 1/8 in. (EA-1529)							x			1
75	1B	EA-1510	Stem Assembly							x			2
76	5	EA-6510	Stem with contact point							x			1
76	5A	EA-1554	Stem							x			1
76	5B	EA-1567-1	Contact							x			1
76	6	EA-1557	Retainer—Diaphragm							x			1
76	7	EA-1566	Diaphragm							x			1
76	8	Comm	Cord—Waxed, dental floss Johnson & Johnson (EA-7920)							x			1
75	1C	EA-1656	Shaft—Stem							x			1
75	2	EA-1555	Arm—Contact							x			1
75	3	EA-1569	Pin—Contact arm							x			1
75	4	EA-1646	Cover Assembly							x			1
75	4A	EA-1643	Cover							x			1

Section II
 Group Assembly Parts List

Fig. No.	Index No.	Part No.	Nomenclature							EA-18W-4099790	Units Per Assy
			1	2	3	4	5	6	7		
75	4B	EA-1647-1								x	1
75	4C	EA-1655								x	1
75	4D	Comm								x	1
73	11	AN515B3-4								x	1
73	12	EA-1657								x	1
73	13	AN515B3-5								x	1
114	9	EA-1583								x	1
114	10	EA-1203								†Seal Assembly—Bellows	1
79	1	EA-1445								Bellows	1
79	2	EA-6507								Holder Assembly—Bellows	1
79	2A	EA-1232								Lever—Bellows	1
79	2B	EA-1446								Holder—Bellows	1
79	2C	EA-1233								Pin	1
79	2D	EA-1274								Pin—Locating	1
79	3	EA-1236								Stud—Bearing	1
79	4	EA-6503								Link Assembly	1
79	4A	EA-1235								Link	1
79	4B	EA-1237								Screw	1
79	4C	EA-1238								Washer	1
79	4D	EA-1239								Nut	1
114	11	EA-1811								Housing	1
114	12	EA-1242								Nut	1
114	13	AN430-2-4								Rivet	1
114	14	EA-1246								Arm	1
114	15	AN960B10								Washer	1
114	16	AN345B10								Nut—Hex	1
114	17	EA-1205-220								Pipe Assembly—Fulcrum	1
77	1	EA-1259-220								Pipe—Fulcrum	1
77	2	EA-1260								Stud—Fulcrum	1
77	3	EA-1591B								Plug—Fulcrum	1
114	18	AN430-4-18								Rivet	1
114	19	EA-1258								Pin—Operating	1
114	20	8227								Washer	2
114	21	EA-9901-109								Rod Assembly—Operating	1
77	4	EA-1247								Extension—Operating Rod	1
77	5	EA-1253-209								Rod—Operating	1
77	6	EA-8550								Link—Operating rod	2
77	7	AN430D2-2								Rivet	1
114	22	EA-1252-360								Arm—Float	1
114	23	AN380B2-2								Pin—Cotter	1
114	24	EA-1255A								Fork—Float with bushing	1
78	12	EA-1255								Fork—Float	1
78	14	EA-1254								Bushing	1
114	25	EA-1257								Washer	2
114	26	EA-1294								Float Assembly	1
78	1	EA-1270								Float	1
78	2	EA-1280								Bearing	1
78	3	EA-1268								Bushing	2
78	4	EA-1269-1								Weight	1
114	27	EA-8524								Fulcrum	1
114	28	EA-1245								Pin—Operating rod link	1
114	29	AN960B8								Washer	1
114	30	Comm								Pin—Locking (copper) No. 18 B & S ga x 3/8 in. lg (EA-1229)	1
114	31	Comm								Rivet, Stimpson No. H-149 brass (EA-8530)	2
114	32	8229								Rivet	1
114	33	EA-1278								Plate—Name	1
114	13	AN430-2-4								Rivet	2
114	34	8262								Gasket	1
114	35	AN960B8								Washer	2
114	36	AN515B8-4								Screw, RH 8 32 x 1/4 in.	2

RESCINDED

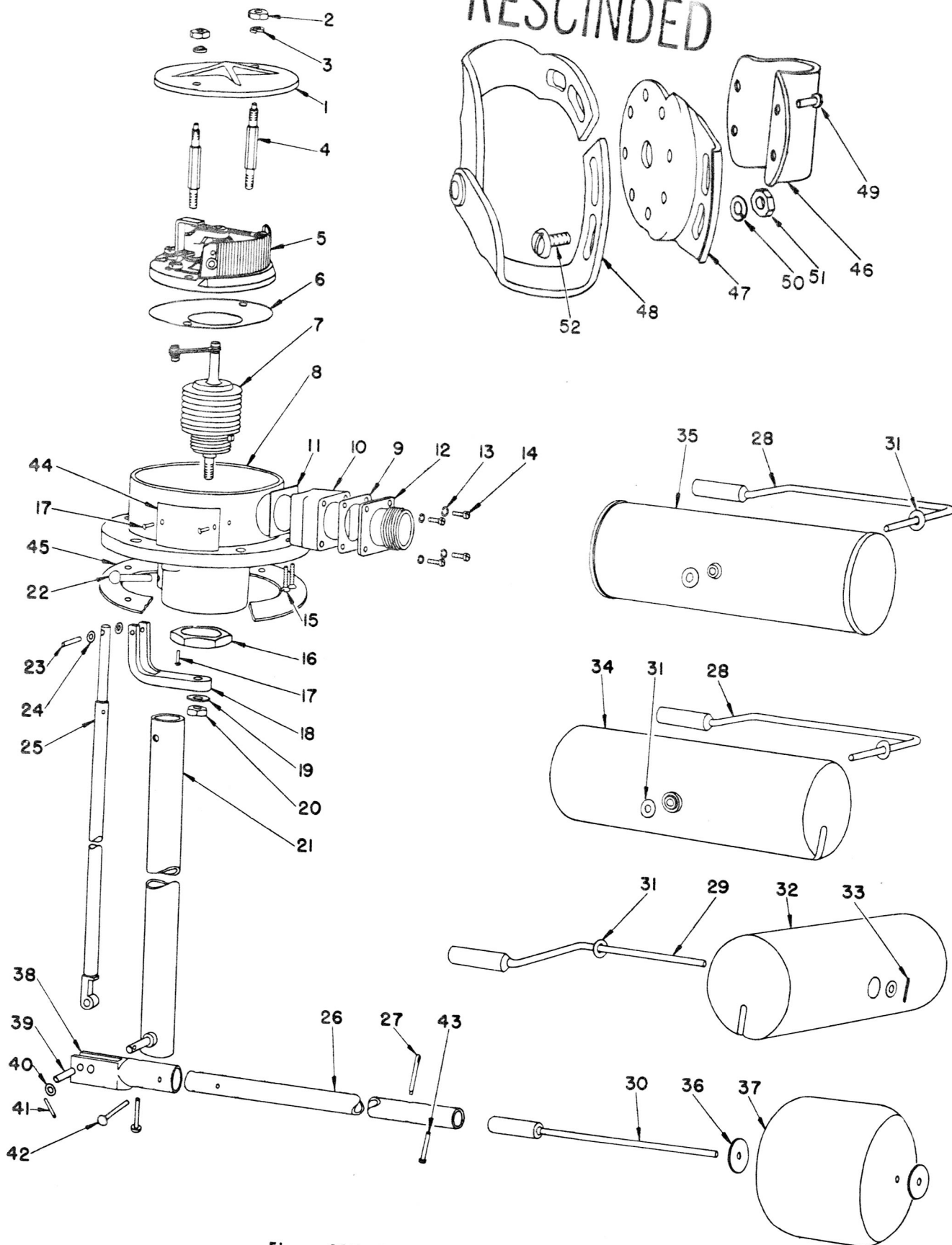


Figure 115—Tank Units EA-65, EA-65B

Section II
Group Assembly Parts List

EQ 20-85BA-4

Fig. No.	Index No.	Part No.	Nomenclature								Units Per Assy	
				1	2	3	4	5	6	7		
			Tank Unit Assembly									
115	1	EA-1525	Cover—Housing	x	x	x	x	x	x	x	x	1
115	2	AN340B8	Nut	x	x	x	x	x	x	x	x	2
115	3	AN935B8	Washer—Lock	x	x	x	x	x	x	x	x	2
115	4	EA-1542	Stud	x	x	x	x	x	x	x	x	2
115	5	EA-1502-5	Potentiometer Assembly	x	x	x	x	x	x	x	x	1
118	1	EA-1504-5	Base Assembly—Potentiometer	x	x	x	x	x	x	x	x	1
117	1	EA-1512	Base	x	x	x	x	x	x	x	x	1
117	2	EA-6506	Resistor	x	x	x	x	x	x	x	x	1
117	3	EA-6522	Support	x	x	x	x	x	x	x	x	2
117	4	AN510B3-3	Screw, FH 3 56 x 3/16 in.	x	x	x	x	x	x	x	x	2
117	5	EA-1516	Shaft	x	x	x	x	x	x	x	x	1
117	6	EA-1524	Lever—Adjustment R —	x	x	x	x	x	x	x	x	1
117	7	EA-1527	Lever—Adjustment R +	x	x	x	x	x	x	x	x	1
117	8	EA-1522	Washer	x	x	x	x	x	x	x	x	3
117	9	EA-1523	Bushing	x	x	x	x	x	x	x	x	1
117	10	EA-1526	Eccentric—Adjustment	x	x	x	x	x	x	x	x	2
117	11	Comm	Wire—Connection 6/38 copper wire black x 1/2 in. lg (EA-7945-1)	x	x	x	x	x	x	x	x	1
117	12	EA-1576	Stud	x	x	x	x	x	x	x	x	1
117	13	Comm	Lead, Lenz Mfg. Co. (EA-6526)	x	x	x	x	x	x	x	x	2
118	2	EA-1257	Washer	x	x	x	x	x	x	x	x	2
118	3	EA-1505	Arm Assembly—Contact	x	x	x	x	x	x	x	x	1
118	3A	EA-1514	Arm—Contact	x	x	x	x	x	x	x	x	1
118	3B	EA-1658	Shoe—Contact arm	x	x	x	x	x	x	x	x	1
118	3C	EA-1631	Blade—Contact arm	x	x	x	x	x	x	x	x	1
118	3D	EA-1550	Washer—Spring	x	x	x	x	x	x	x	x	1
118	3E	Comm	Eyelet, Waterbury Co. Part No. 9966 (EA-1518)	x	x	x	x	x	x	x	x	1
118	3F	EA-1582	Washer	x	x	x	x	x	x	x	x	1
118	4	EA-1575	Spring	x	x	x	x	x	x	x	x	1
118	5	Comm	Pin—Locking (copper) No. 18 B & S ga x 3/8 in. lg (EA-1229)	x	x	x	x	x	x	x	x	1
118	6	EA-1520	Contact—Contact arm	x	x	x	x	x	x	x	x	1
118	7	660-51	Lug—Solder	x	x	x	x	x	x	x	x	1
118	8	AN935B6	Washer—Lock	x	x	x	x	x	x	x	x	1
118	9	AN520B6-4	Screw, RH 6 40 x 1/4 in.	x	x	x	x	x	x	x	x	1
115	5	EA-1502S-5	Potentiometer Assembly									x
119	1	EA-1504-5	Base Assembly—Potentiometer									x
117	1	EA-1512	Base									x
117	2	EA-6506	Resistor									x
117	3	EA-6522	Support									x
117	4	AN510B3-3	Screw, FH 3 56 x 3/16 in.									x
117	5	EA-1516	Shaft									x
117	6	EA-1524	Lever—Adjustment R —									x
117	7	EA-1527	Lever—Adjustment R +									x
117	8	EA-1522	Washer									x
117	9	EA-1523	Bushing									x
117	10	EA-1526	Eccentric—Adjustment									x
117	11	Comm	Wire—Connection 6/38 copper wire black x 1/2 in. lg (EA-7945-1)									x
117	12	EA-1576	Stud									x
117	13	Comm	Lead, Lenz Mfg. Co. (EA-6526)									x
119	2	EA-1257	Washer									x
119	3	EA-1505S	Arm—Contact and Switch Arm Assembly									x
119	3A	EA-1505	Arm Assembly—Contact									x
118	3A	EA-1514	Arm—Contact									x
118	3B	EA-1658	Shoe—Contact arm									x
118	3C	EA-1631	Blade—Contact arm									x
118	3D	EA-1550	Washer—Spring									x
118	3E	Comm	Eyelet, Waterbury Co. Part No. 9966 (EA-1518)									x
118	3F	EA-1582	Washer									x
119	3B	Comm	Eyelet, Waterbury Co. Part No. 9966									x

Fig. No.	Index No.	Part No.	Nomenclature								Units Per Assy		
				1	2	3	4	5	6	7			
119	3C	EA-1559	Arm—Switch contact									x	1
119	3D	EA-1550	Washer—Spring									x	1
119	4	EA-1575	Spring									x	1
119	5	Comm	Pin—Locking (copper) No. 18 B & S ga x 3/8 in. lg (EA-1229)									x	1
119	6	EA-1520	Contactor—Contact arm									x	1
119	7	660-51	Lug—Solder									x	1
119	8	AN935B6	Washer—Lock									x	1
119	9	AN520B6-4	Screw, RH 6 40 x 1/4 in.									x	1
119	10	EA-1508	†Switch Assembly—Warning									x	1
75	1	EA-6511	Housing and Stem Assembly									x	1
75	1A	EA-1645	Housing Assembly									x	1
76	1	EA-1641	Housing—Warning switch									x	1
76	2	EA-1598	Plate—Stop									x	1
76	3	EA-1556	Spring—Arm return									x	1
76	4	AN430B2-3	Rivet, cut to 1/8 in. lg (EA-1529)									x	1
75	1B	EA-1510	Stem Assembly									x	2
76	5	EA-6510	Stem with contact point									x	1
76	5A	EA-1554	Stem									x	1
76	5B	EA-1567	Contact									x	1
76	6	EA-1557	Retainer—Diaphragm									x	1
76	7	EA-1566	Diaphragm									x	1
76	8	Comm	Cord—Waxed, dental floss Johnson and Johnson (EA-7920)									x	1
75	1C	EA-1656	Shaft—Stem									x	1
75	2	EA-1555	Arm—Contact									x	1
75	3	EA-1569	Pin—Contact arm									x	1
75	4	EA-1646	Cover Assembly									x	1
75	4A	EA-1643	Cover									x	1
75	4B	EA-1647-1	Contact									x	1
75	4C	EA-1655	Strip—Connection									x	1
75	4D	Comm	Pin—Bank No. 5 (EA-3924)									x	1
119	11	AN515B3-4	Screw, RH 3 48 x 1/4 in.									x	1
119	12	EA-1657	Spacer									x	1
119	13	AN515B3-5	Screw, RH 3 48 x 5/16 in.									x	1
115	6	EA-1583	Pad—Insulating									x	1
115	7	EA-1203	†Seal Assembly—Bellows	x	x	x	x	x	x	x	x	x	1
79	1	EA-1445	Bellows	x	x	x	x	x	x	x	x	x	1
79	2	EA-6507	Holder Assembly—Bellows	x	x	x	x	x	x	x	x	x	1
79	2A	EA-1232	Lever—Bellows	x	x	x	x	x	x	x	x	x	1
79	2B	EA-1446	Holder—Bellows	x	x	x	x	x	x	x	x	x	1
79	2C	EA-1233	Pin	x	x	x	x	x	x	x	x	x	1
79	2D	EA-1274	Pin—Locating	x	x	x	x	x	x	x	x	x	1
79	3	EA-1236	Stud—Bearing	x	x	x	x	x	x	x	x	x	1
79	4	EA-6503	Link Assembly	x	x	x	x	x	x	x	x	x	1
79	4A	EA-1235	Link	x	x	x	x	x	x	x	x	x	1
79	4B	EA-1237	Screw	x	x	x	x	x	x	x	x	x	1
79	4C	EA-1238	Washer	x	x	x	x	x	x	x	x	x	1
79	4D	EA-1239	Nut	x	x	x	x	x	x	x	x	x	1
115	8	EA-1511-52-1	Housing									x	1
115	8	EA-1511-53-1	Housing				x					x	1
115	8	EA-1511-53-2	Housing	x					x	x		x	1
115	8	EA-1511-53-9	Housing								x	x	1
115	9	EA-4546-1	Gasket				x					x	1
115	10	EA-4542	Block—Mounting	x	x	x	x	x	x	x	x	x	1
115	11	EA-4525	Gasket	x	x	x	x	x	x	x	x	x	1
115	12	AND10066-14S-1P	Receptacle	x	x	x	x	x	x	x	x	x	1
115	12	AND10066-14S-2P	Receptacle	x	x						x	x	1
115	13	AN935B4	Washer—Lock				x	x	x	x	x	x	1
115	14	AN500B4-5	Screw, fl hd 4 40 x 5/16 in.	x	x	x	x	x	x	x	x	x	4
115	15	AN505B5-8	Screw, FH 5 40 x 1/2 in.	x	x	x	x	x	x	x	x	x	4
115	16	EA-1242	Nut	x	x	x	x	x	x	x	x	x	2
115	17	AN430-2-4	Rivet	x	x	x	x	x	x	x	x	x	1
115	18	EA-1246	Arm	x	x	x	x	x	x	x	x	x	1

RESCINDED

Section II
Group Assembly Parts List

EO 20-85BA-4

Fig. No.	Index No.	Part No.	Nomenclature								Units Per Assy	
				EA-65-141	EA-65-144	EA-65-2140325	EA-65-2140327	EA-65B-15508	EA-65B-15509	EA-65B-1-85-088		EA-65W-AT-9
115	19	AN960B10	Washer	x	x	x	x	x	x	x	x	1
115	20	AN345B10	Nut, hex	x	x	x	x	x	x	x	x	1
115	21	EA-1205-182	Pipe Assembly—Fulcrum		x							1
115	21	EA-1205-117	Pipe Assembly—Fulcrum				x					1
115	21	EA-1205-173	Pipe Assembly—Fulcrum	x								1
115	21	EA-1205-183	Pipe Assembly—Fulcrum								x	1
115	21	EA-1205-209	Pipe Assembly—Fulcrum			x						1
115	21	EA-1205-210	Pipe Assembly—Fulcrum					x	x			1
115	21	EA-1205-221	Pipe Assembly—Fulcrum							x		1
77	1	EA-1259-182	Pipe—Fulcrum		x							1
77	1	EA-1259-117	Pipe—Fulcrum				x					1
77	1	EA-1259-173	Pipe—Fulcrum	x								1
77	1	EA-1259-183	Pipe—Fulcrum								x	1
77	1	EA-1259-209	Pipe—Fulcrum			x						1
77	1	EA-1259-210	Pipe—Fulcrum					x	x			1
77	1	EA-1259-221	Pipe—Fulcrum							x		1
77	2	EA-1260	Stud—Fulcrum	x	x	x	x	x	x	x	x	1
77	3	EA-1591B	Plug—Fulcrum	x	x	x	x	x	x	x	x	1
115	22	AN430-4-18	Rivet	x	x	x	x	x	x	x	x	1
115	23	EA-1258	Pin—Operating	x	x	x	x	x	x	x	x	1
115	24	8227	Washer	x	x	x	x	x	x	x	x	2
115	25	EA-9901-65	Rod Assembly—Operating	x								1
115	25	EA-9901-74	Rod Assembly—Operating		x							1
115	25	EA-9901-98	Rod Assembly—Operating			x						1
115	25	EA-9901-15	Rod Assembly—Operating				x					1
115	25	EA-9901-99	Rod Assembly—Operating					x	x			1
115	25	EA-9901-110	Rod Assembly—Operating							x		1
115	25	EA-9901-75	Rod Assembly—Operating								x	1
77	4	EA-1247	Extension—Operating rod	x	x	x	x	x	x	x	x	1
77	5	EA-1253-165	Rod—Operating	x								1
77	5	EA-1253-174	Rod—Operating		x							1
77	5	EA-1253-198	Rod—Operating			x						1
77	5	EA-1253-115	Rod—Operating				x					1
77	5	EA-1253-199	Rod—Operating					x	x			1
77	5	EA-1253-210	Rod—Operating							x		1
77	5	EA-1253-175	Rod—Operating								x	1
77	6	EA-8550	Link—Operating rod	x	x	x	x	x	x	x	x	1
77	7	AN430D2-6	Rivet	x	x	x	x	x	x	x	x	2
115	26	EA-1252-295	Arm—Float	x								1
115	26	EA-1252-311	Arm—Float		x							1
115	26	EA-1252-341	Arm—Float			x						1
115	26	EA-1252-342	Arm—Float				x					1
115	26	EA-1252-243	Arm—Float					x	x			1
115	26	EA-1252-298	Arm—Float							x		1
115	26	EA-1252-312	Arm—Float								x	1
115	27	AN380B2-2	Pin—Cotter	x	x	x	x	x	x	x	x	1
115	28	EA-1255A	Fork—Float with bushing	x		x				x	x	1
115	28	EA-1255-6A	Fork—Float with bushing					x	x			1
115	29	EA-1255-109A	Fork—Float with bushing				x					1
115	30	EA-1255-119-1A	Fork—Float with bushing		x							1
78	12	EA-1255	Fork—Float	x		x				x	x	1
78	12	EA-1255-6	Fork—Float					x	x			1
78	12	EA-1255-109	Fork—Float				x					1
78	13	EA-1255-119-1	Fork—Float		x							1
78	14	EA-1254	Bushing	x	x	x	x	x	x	x	x	1
115	31	EA-1257	Washer	x		x	x	x	x	x	x	2
115	32	EA-1294-2	Float Assembly				x					1
78	1	EA-1270-1	Float				x					1
78	2	EA-1280-2	Bearing				x					1
78	3	EA-1268	Bushing				x					2
78	4	EA-1269-1	Weight				x					1
115	33	Comm	Pin—Locking (copper) No. 18 B & S ga x 3/8 in. lg (EA-1229)				x					1
115	34	EA-1294	Float Assembly	x		x		x	x	x		1
78	1	EA-1270	Float	x		x		x	x	x		1

				EA-65W-203	EA-65-422324	Units Per Assy
115			Tank Unit			
115	5	EA-1502-5	Potentiometer	x		1
117	2	EA-6506	Resistor	x		1
118	3	EA-1505	Arm Assembly—Contact	x	x	1
115	5	EA-1502S-5	Potentiometer	x	x	1
115	8	EA-1511-51-1	Housing		x	1
115	8	EA-1511-810-1	Housing	x		1
115	9	EA-4546-1	Gasket		x	1
115	10	EA-4542	Block—Mounting	x	x	1
115	11	EA-4525	Gasket	x	x	1
115	12	EA-4504A	Receptacle	x	x	1
115	12	EA-4510A	Receptacle	x		1
115	21	EA-1205-104	Pipe Assembly—Fulcrum		x	1
115	21	EA-1205-248	Pipe Assembly—Fulcrum	x		1
77	1	EA-1259-248	Pipe—Fulcrum		x	1
77	2	EA-8560	Stud—Fulcrum		x	1
77	3	EA-1591B	Plug—Fulcrum		x	1
115	25	EA-9901-4	Rod Assembly—Operating		x	1
115	25	EA-9901-123	Rod Assembly—Operating	x		1
115	26	EA-1252-271	Arm—Float		x	1
115	26	EA-1252-432	Arm—Float	x		1
115	28	EA-1255A	Fork—Float with Bushing		x	1
115	34	EA-1294	Float Assembly		x	1
115	37	EA-1291M	Float Assembly	x		1
115	38	EA-8526	Fulcrum		x	1
115	45	8262F	Gasket	x	x	1
115	45	8262B	Gasket	x		1
115	46	EA-6592	Clamp—Float Stop		x	1
115	47	EA-6593	Bracket—Float Stop		x	1
115	48	EA-6555	Arm—Float Stop		x	1
115	49	AN430-4-5	Rivet		x	1
115	50	AN935B10	Lockwasher		x	4
115	51	AN340B10	Nut		x	2
115	52	Comm.	Screw, Binding H. No. 10-32 x 1/2 in.		x	2

ALL OTHER PARTS TO COMPLETE TANK
UNIT ARE FOUND ON FIGURE 115

RESCINDED

Fig. No.	Index No.	Part No.	Nomenclature							Units Per Assy		
			1	2	3	4	5	6	7			
78	2	EA-1280										
78	3	EA-1268										
78	4	EA-1269-1										
115	35	EA-1256										
78	5	EA-1625										
78	6	EA-1626										
78	7	EA-1280										
78	8	EA-1080										
115	36	EA-1257-1										
115	37	EA-1536										
115	38	EA-8526										
115	39	EA-1245										
115	40	AN960B8										
115	41	Comm										
115	42	Comm										
115	43	8229										
115	44	EA-1278										
115	17	AN430-2-4										
115	45	8262										

Fig. No.	Index No.	Part No.	Nomenclature							Units Per Assy		
			1	2	3	4	5	6	7			
116	1	EA-1525										
116	2	AN340B8										
116	3	AN935B8										
116	4	EA-1542										
116	5	EA-1502-5										
118	1	EA-1504-5										
117	1	EA-1512										
117	2	EA-6506										
117	3	EA-6522										
117	4	AN510B3-3										
117	5	EA-1516										
117	6	EA-1524										
117	7	EA-1527										
117	8	EA-1522										
117	9	EA-1523										
117	10	EA-1526										
117	11	Comm										
117	12	EA-1576										
117	13	Comm										
118	2	EA-1257										
118	3	EA-1505										
118	3A	EA-1514										
118	3B	EA-1658										
118	3C	EA-1631										

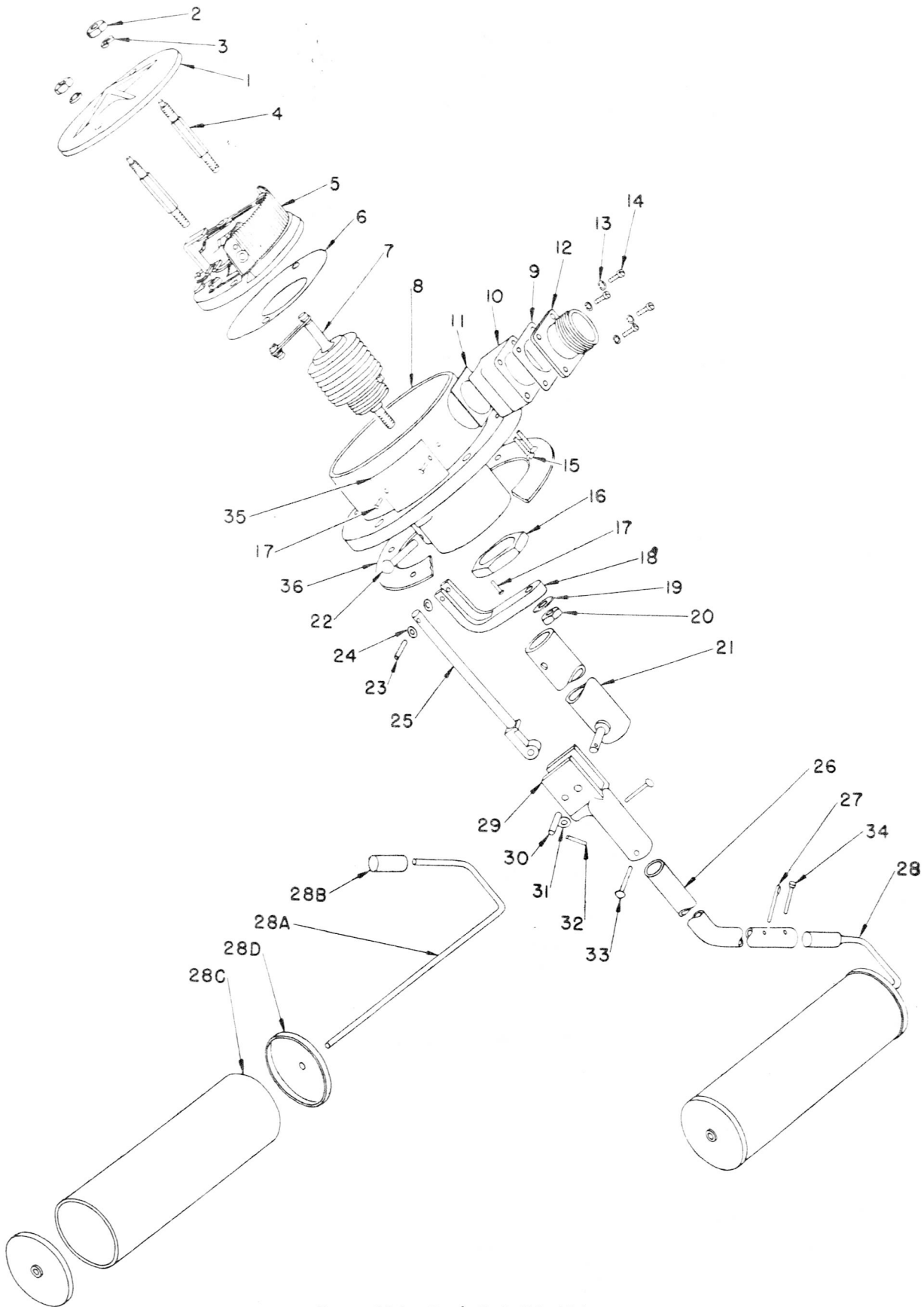
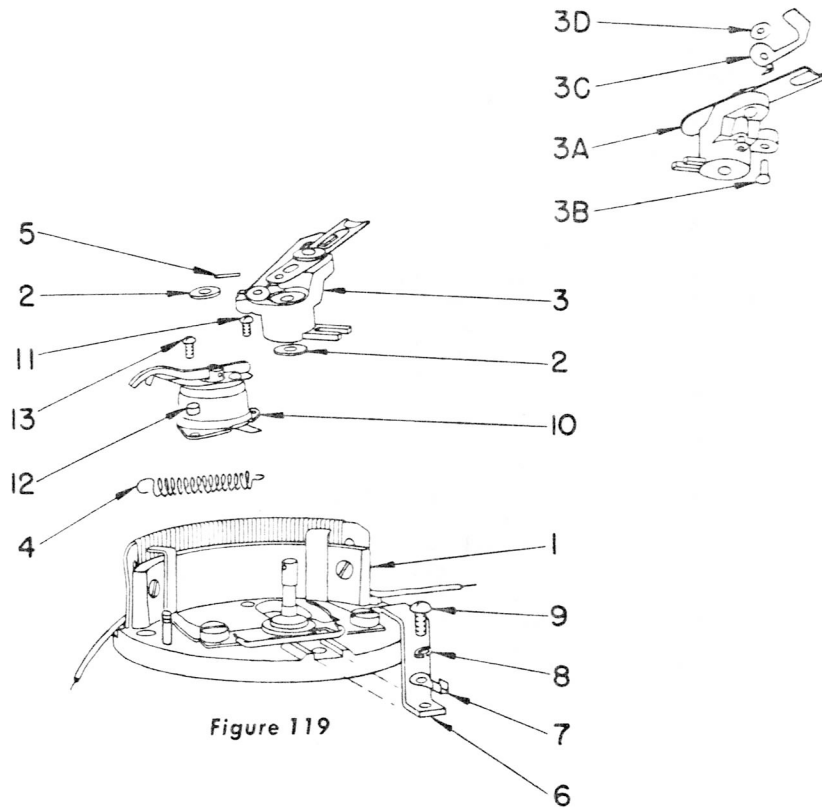
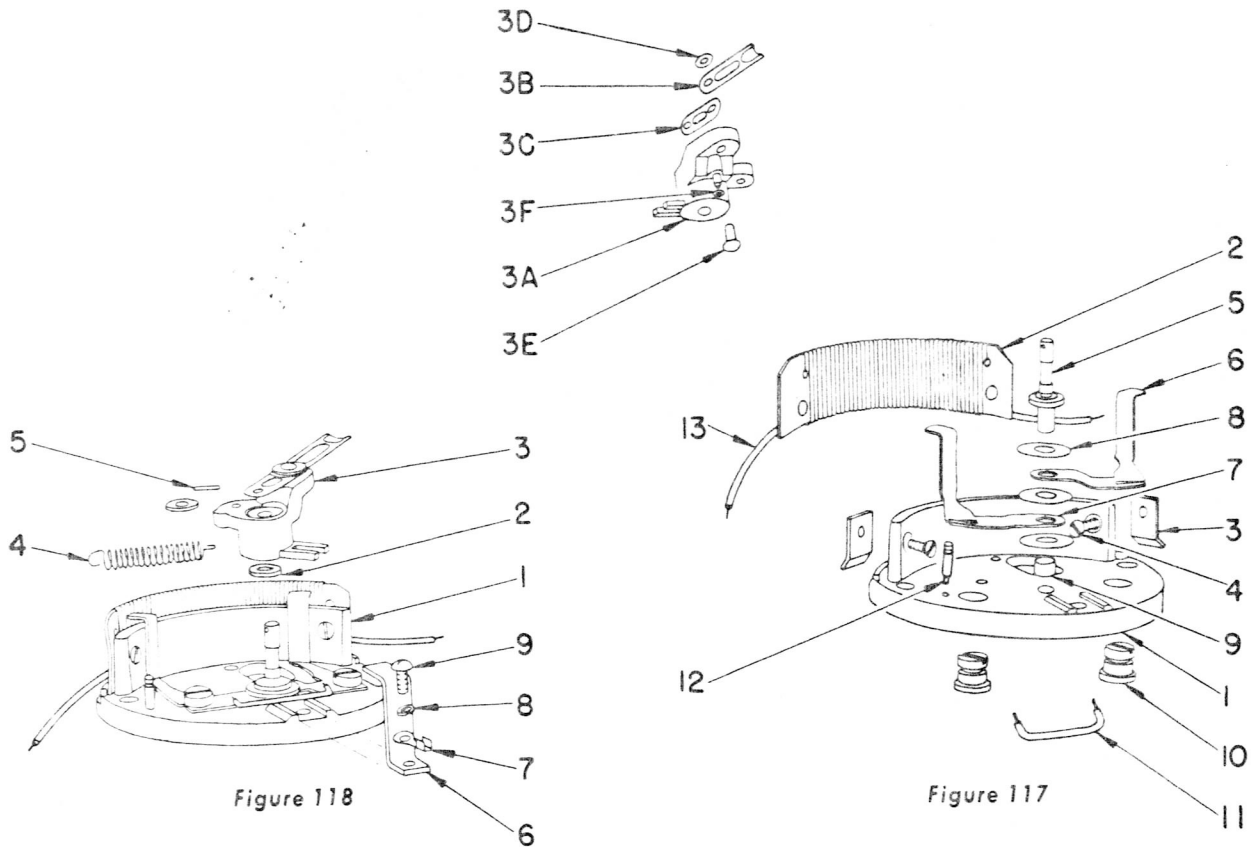


Figure 116—Tank Unit EA-65A

Fig. No.	Index No.	Part No.	Nomenclature	EA-65A-628033							Units Per Assy
				1	2	3	4	5	6	7	
118	3D	EA-1550	Washer—Spring							x	1
118	3E	Comm	Eyelet, Waterbury Co. Part No. 9966 (EA-1518)							x	1
118	3F	EA-1582	Washer							x	1
118	4	EA-1575	Spring							x	1
118	5	Comm	Pin—Locking (copper) No. 18 B & S ga x 3/8 lg (EA-1229)							x	1
118	6	EA-1520	Contact—Contact arm							x	1
118	7	660-51	Lug—Solder							x	1
118	8	AN935B6	Washer—Lock							x	1
118	9	AN520B6-4	Screw, RH 6 40 x 1/4 in.							x	1
116	6	EA-1583	Pad—Insulating							x	1
116	7	EA-1203	†Seal Assembly—Bellows							x	1
79	1	EA-1445	Bellows							x	1
79	2	EA-6507	Holder Assembly—Bellows							x	1
79	2A	EA-1232	Lever—Bellows							x	1
79	2B	EA-1446	Holder—Bellows							x	1
79	2C	EA-1233	Pin							x	1
79	2D	EA-1274	Pin—Locating							x	1
79	3	EA-1236	Stud—Bearing							x	1
79	4	EA-6503	Link Assembly							x	1
79	4A	EA-1235	Link							x	1
79	4B	EA-1237	Screw							x	1
79	4C	EA-1238	Washer							x	1
79	4D	EA-1239	Nut							x	1
116	8	EA-1511-53-1	Housing							x	1
116	9	EA-4546-1	Gasket							x	1
116	10	EA-4542	Block—Mounting							x	1
116	11	EA-4525	Gasket							x	1
116	12	AND10066-14S-1P	Receptacle							x	1
116	13	AN935B4	Washer—Lock							x	1
116	14	AN500B4-5	Screw, fil hd 4 40 x 5/16 in.							x	4
116	15	AN505B5-8	Screw, FH 5 40 x 1/2 in.							x	4
116	16	EA-1242	Nut							x	2
116	17	AN430-2-4	Rivet							x	1
116	18	EA-1246	Arm							x	1
116	19	AN960B10	Washer							x	1
116	20	AN345B10	Nut, hex							x	1
116	21	EA-1205-113	Pipe Assembly—Housing							x	1
77	1	EA-1259-113	Pipe—Fulcrum							x	1
77	2	EA-1260	Stud—Fulcrum							x	1
77	3	EA-1591B	Plug—Fulcrum							x	1
116	22	AN430-4-18	Rivet							x	1
116	23	EA-1258	Pin—Operating							x	1
116	24	8227	Washer							x	1
116	25	EA-8589	Rod—Operating							x	2
116	26	EA-1252-235	Arm—Float							x	1
116	27	AN380B2-2	Pin—Cotter							x	1
116	28	EA-6516-2	Float Assembly							x	1
116	28A	EA-1533-1	Fork—Float							x	1
116	28B	EA-1254	Bushing							x	1
116	28C	EA-1625	Shell—Float							x	1
116	28D	EA-1626	End—Float							x	1
116	29	EA-8525	Fulcrum							x	2
116	30	EA-1245	Pin—Operating rod link							x	1
116	31	AN960B8	Washer							x	1
116	32	EA-1229	Pin—Locking							x	1
116	33	Comm	Rivet, Stimpson No. H-149 brass (EA-8530)							x	1
116	34	8229	Rivet							x	2
116	35	EA-1278	Plate—Name							x	1
116	17	AN430-2-4	Rivet							x	1
116	36	8262	Gasket							x	2
										x	1

RESCINDED



POTENTIOMETER

RESCINDED

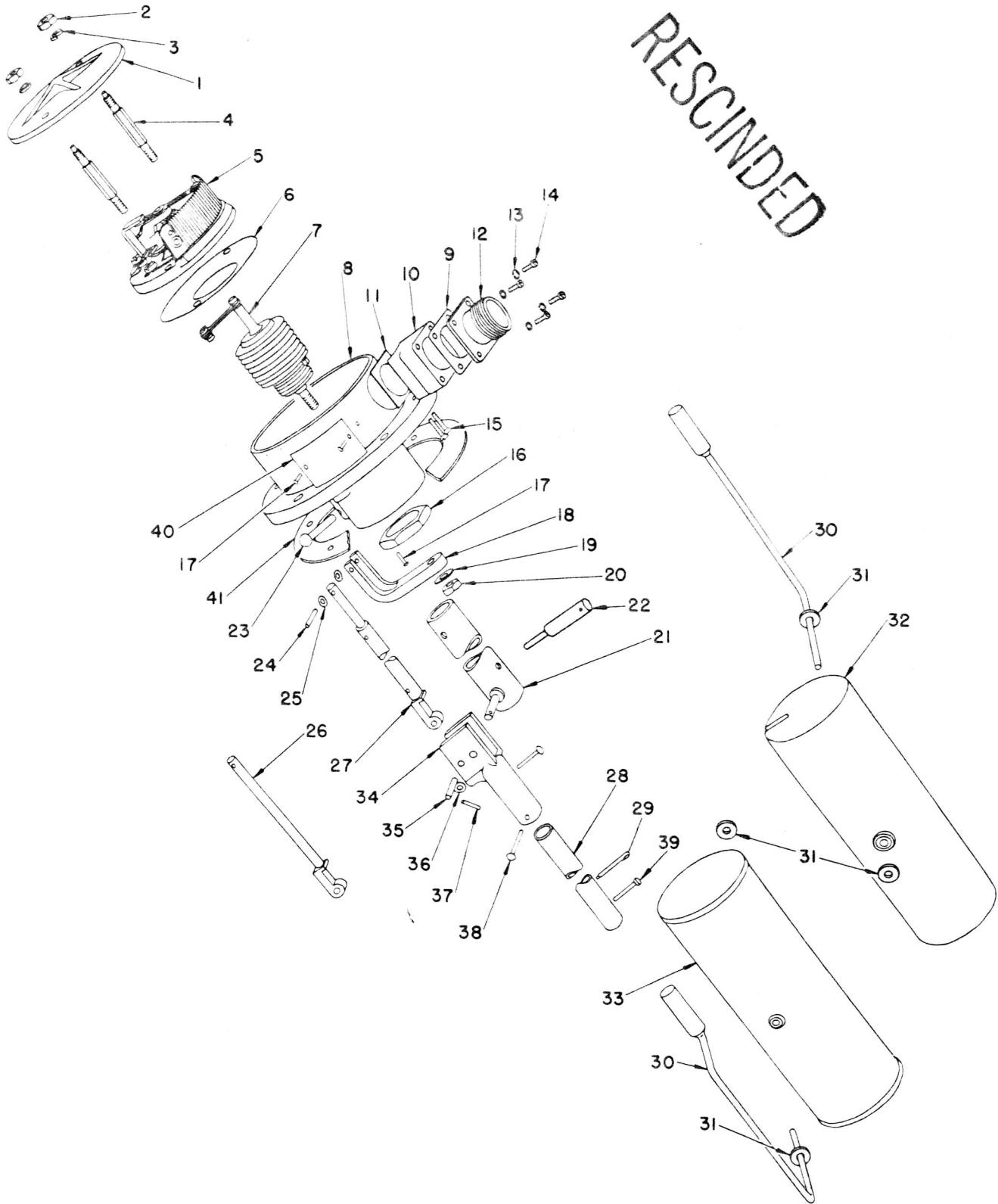


Figure 120—Tank Unit EA-65A and EA-65AW

Section II
Group Assembly Parts List

EO 20-85BA-4

Fig. No.	Index No.	Part No.	Nomenclature							Units Per Assy
				EA-65A-28-0-3039-31	EA-65A-15504	EA-65A-15505	EA-65A-15506	EA-65A-15507	EA-65A-8940758	
			Tank Unit Assembly							
120	1	EA-1525	Cover—Housing	x	x	x	x	x	x	1
120	2	AN340B8	Nut	x	x	x	x	x	x	2
120	3	AN935B8	Washer—Lock	x	x	x	x	x	x	2
120	4	EA-1542	Stud	x	x	x	x	x	x	2
120	5	EA-1502-5	Potentiometer Assembly	x	x	x	x	x		1
118	1	EA-1504-5	Base Assembly—Potentiometer	x	x	x	x	x		1
117	1	EA-1512	Base	x	x	x	x	x		1
117	2	EA-6506	Resistor	x	x	x	x	x		1
117	3	EA-6522	Support	x	x	x	x	x		2
117	4	AN510B3-3	Screw, FL HD No. 3 56 x 3/16 in.	x	x	x	x	x		2
117	5	EA-1516	Shaft	x	x	x	x	x		1
117	6	EA-1524	Lever—Adjustment R —	x	x	x	x	x		1
117	7	EA-1527	Lever—Adjustment R +	x	x	x	x	x		1
117	8	EA-1522	Washer	x	x	x	x	x		3
117	9	EA-1523	Bushing	x	x	x	x	x		1
117	10	EA-1526	Eccentric—Adjustment	x	x	x	x	x		2
117	11	Comm	Wire—Connection 6 38 copper wire black x 1/2 in. lg (EA-7945-1)	x	x	x	x	x		1
117	12	EA-1576	Stud	x	x	x	x	x		1
117	13	Comm	Lead, Lenz Mfg. Co. (EA-6526)	x	x	x	x	x		2
118	2	EA-1257	Washer	x	x	x	x	x		2
118	3	EA-1505	Arm Assembly—Contact	x	x	x	x	x		1
118	3A	EA-1514	Arm—Contact	x	x	x	x	x		1
118	3B	EA-1658	Shoe—Contact arm	x	x	x	x	x		1
118	3C	EA-1631	Blade—Contact arm	x	x	x	x	x		1
118	3D	EA-1550	Washer—Spring	x	x	x	x	x		1
118	3E	Comm	Eyelet, Waterbury Co. Part No. 9966 (EA-1518)	x	x	x	x	x		1
118	3F	EA-1582	Washer	x	x	x	x	x		1
118	4	EA-1575	Spring	x	x	x	x	x		1
118	5	Comm	Pin—Locking (copper) No. 18 B & S ga x 3/8 in. lg (EA-1229)	x	x	x	x	x		1
118	6	EA-1520	Contact—Contact arm	x	x	x	x	x		1
118	7	660-51	Lug—Solder	x	x	x	x	x		1
118	8	AN935B6	Washer—Lock	x	x	x	x	x		1
118	9	AN520B6-4	Screw, RH 6 40 x 1/4 in.	x	x	x	x	x		1
120	5	EA-1502S-5	Potentiometer Assembly						x	1
119	1	EA-1504-5	Base Assembly—Potentiometer						x	1
117	1	EA-1512	Base						x	1
117	2	EA-6506	Resistor						x	1
117	3	EA-6522	Support						x	2
117	4	AN510B3-3	Screw, FH No. 3 56 x 3/16 in.						x	2
117	5	EA-1516	Shaft						x	1
117	6	EA-1524	Lever—Adjustment R —						x	1
117	7	EA-1527	Lever—Adjustment R +						x	1
117	8	EA-1522	Washer						x	3
117	9	EA-1523	Bushing						x	1
117	10	EA-1526	Eccentric—Adjustment						x	2
117	11	Comm	Wire—Connection 6-38 copper wire black x 1/2 in. lg (EA-7945-1)						x	1
117	12	EA-1576	Stud						x	1
117	13	Comm	Lead, Lenz Mfg. Co. (EA-6526)						x	2
119	2	EA-1257	Washer						x	2
119	3	EA-1505S	Arm—Contact and Switch Arm Assembly						x	1
119	3A	EA-1505	Arm Assembly—Contact						x	1
118	3A	EA-1514	Arm—Contact						x	1
118	3B	EA-1658	Shoe—Contact arm						x	1
118	3C	EA-1631	Blade—Contact arm						x	1
118	3D	EA-1550	Washer—Spring						x	1
118	3E	Comm	Eyelet, Waterbury Co. Part No. 9966 (EA-1518)						x	1
118	3F	EA-1582	Washer						x	1

Fig. No.	Index No.	Part No.	Nomenclature	EA-65A-28-0-3039-31						EA-65AW-8940758	Units Per Assy
				1	2	3	4	5	6		
119	3B	Comm	Eyelet, Waterbury Co. Part No. 9966 (EA-1518)							x	1
119	3C	EA-1559	Arm—Switch contact								
119	3D	EA-1550	Washer—Spring							x	1
119	4	EA-1575	Spring							x	1
119	5	Comm	Pin—Locking (copper) No. 18 B & S ga x 3/8 in. lg (EA-1229)							x	1
119	6	EA-1520	Contact—Contact arm								
119	7	660-51	Lug—Solder							x	1
119	8	AN935B6	Washer—Lock							x	1
119	9	AN520B6-4	Screw, RH 6 40 x 1/4 in.							x	1
119	10	EA-1508	†Switch Assembly—Warning							x	1
75	1	EA-6511	Housing and Stem Assembly							x	1
75	1A	EA-1645	Housing Assembly							x	1
76	1	EA-1641	Housing—Warning switch							x	1
76	2	EA-1598	Plate—Stop							x	1
76	3	EA-1556	Spring—Arm return							x	1
76	4	AN430B2-3	Rivet, cut to 1/8 in. lg							x	1
75	1B	EA-1510	Stem Assembly							x	2
76	5	EA-6510	Stem with contact point							x	1
76	5A	EA-1554	Stem							x	1
76	5B	EA-1567-1	Contact							x	1
76	6	EA-1557	Retainer—Diaphragm							x	1
76	7	EA-1566	Diaphragm							x	1
76	8	Comm	Cord—Waxed, dental floss, Johnson and Johnson (EA-7920)							x	1
75	1C	EA-1656	Shaft—Stem								
72	2	EA-1555	Arm—Contact							x	1
75	3	EA-1569	Pin—Contact arm							x	1
75	4	EA-1646	Cover Assembly							x	1
75	4A	EA-1643	Cover							x	1
75	4B	EA-1647-1	Contact							x	1
75	4C	EA-1655	Strip—Connection							x	1
75	4D	Comm	Pin—Bank No. 5 (EA-3924)							x	1
119	11	AN515B3-4	Screw, RH 3 48 x 1/4 in.							x	1
119	12	EA-1657	Spacer							x	1
119	13	AN515B3-5	Screw, RH 3 48 x 5/16 in.							x	1
120	6	EA-1583	Pad—Insulating							x	1
120	7	EA-1203	†Seal Assembly—Bellows	x	x	x	x	x	x	x	1
79	1	EA-1445	Bellows	x	x	x	x	x	x	x	1
79	2	EA-6507	Holder Assembly—Bellows	x	x	x	x	x	x	x	1
79	2A	EA-1232	Lever—Bellows	x	x	x	x	x	x	x	1
79	2B	EA-1446	Holder—Bellows	x	x	x	x	x	x	x	1
79	2C	EA-1233	Pin	x	x	x	x	x	x	x	1
79	2D	EA-1274	Pin—Locating	x	x	x	x	x	x	x	1
79	3	EA-1236	Stud—Bearing	x	x	x	x	x	x	x	1
79	4	EA-6503	Link Assembly	x	x	x	x	x	x	x	1
79	4A	EA-1235	Link	x	x	x	x	x	x	x	1
79	4B	EA-1237	Screw	x	x	x	x	x	x	x	1
79	4C	EA-1238	Washer	x	x	x	x	x	x	x	1
79	4D	EA-1239	Nut	x	x	x	x	x	x	x	1
120	8	EA-1511-52-1	Housing							x	1
120	8	EA-1511-53-1	Housing							x	1
120	9	EA-4546-1	Gasket	x	x	x	x	x	x	x	1
120	10	EA-4542	Block—Mounting	x	x	x	x	x	x	x	1
120	11	EA-4525	Gasket	x	x	x	x	x	x	x	1
120	12	AND10066-14S-1P	Receptacle	x	x	x	x	x	x	x	1
120	12	AND10066-14S-2P	Receptacle	x	x	x	x	x	x	x	1
120	13	AN935B4	Washer—Lock							x	1
120	14	AN500B4-5	Screw, fl hd 4 40 x 5/16 in.	x	x	x	x	x	x	x	4
120	15	AN505B5-8	Screw, FH 5 40 x 1/2 in.	x	x	x	x	x	x	x	4
120	16	EA-1242	Nut	x	x	x	x	x	x	x	2
				x	x	x	x	x	x	x	1

RESCINDED

Section II
Group Assembly Parts List

EO 20-85BA-4

Fig. No.	Index No.	Part No.	Nomenclature								Units Per Assy		
				1	2	3	4	5	6	7			
120	17	AN430-2-4	Rivet										1
120	18	EA-1246	Arm										1
120	19	AN960B10	Washer										1
120	20	AN345B10	Nut, hex.										1
120	21	EA-1205-217	Pipe Assembly—Fulcrum										1
120	21	EA-1205-218	Pipe Assembly—Fulcrum										1
120	21	EA-1205-113	Pipe Assembly—Fulcrum										1
77	1	EA-1259-217	Pipe—Fulcrum										1
77	1	EA-1259-218	Pipe—Fulcrum										1
77	1	EA-1259-113	Pipe—Fulcrum										1
77	2	EA-1260	Stud—Fulcrum										1
77	3	EA-1591B	Plug—Fulcrum										1
120	22	EA-1519	Guide—String										1
120	23	AN430-4-18	Rivet										1
120	24	EA-1258	Pin—Operating										1
120	25	8227	Washer										2
120	26	EA-8589	Rod—Operating										1
120	27	EA-9901-106	Rod Assembly—Operating										1
120	27	EA-9901-107	Rod Assembly—Operating										1
77	4	EA-1247	Extension—Operating rod										1
77	5	EA-1253-206	Rod—Operating										1
77	5	EA-1253-207	Rod—Operating										1
77	6	EA-8550	Link—Operating rod										1
77	7	AN430D2-6	Rivet										2
120	28	EA-1252-355	Arm—Float										1
120	28	EA-1252-356	Arm—Float										1
120	28	EA-1252-202	Arm—Float										1
120	28	EA-1252-348	Arm—Float										1
120	28	EA-1252-357	Arm—Float										1
120	29	AN380B2-2	Pin—Cotter										1
120	30	EA-1255A	Fork—Float with Bushing										1
120	30	EA-1255-6A	Fork—Float with Bushing										1
78	12	EA-1255	Fork—Float										1
78	12	EA-1255-6	Fork—Float										1
78	14	EA-1254	Bushing										1
120	31	EA-1257	Washer										2
120	32	EA-1294	Float Assembly										1
78	1	EA-1270	Float										1
78	2	EA-1280	Bearing										1
78	3	EA-1268	Bushing										2
78	4	EA-1269-1	Weight										1
120	33	EA-1256	Float Assembly										1
78	5	EA-1625	Shell—Float										1
78	6	EA-1626	End—Float										2
78	7	EA-1280	Bearing										1
78	8	EA-1080	Weight										1
120	34	EA-8525	Fulcrum										1
120	35	EA-1245	Pin—Operating rod link										1
120	36	AN960B8	Washer										1
120	37	EA-1229	Pin—Locking										1
120	38	Comm	Rivet, Stimpson No. H-149 brass (EA-8530)										2
120	39	8229	Rivet										1
120	40	EA-1278	Plate—Name										1
120	17	AN430-2-4	Rivet										2
120	41	8262	Gasket										1

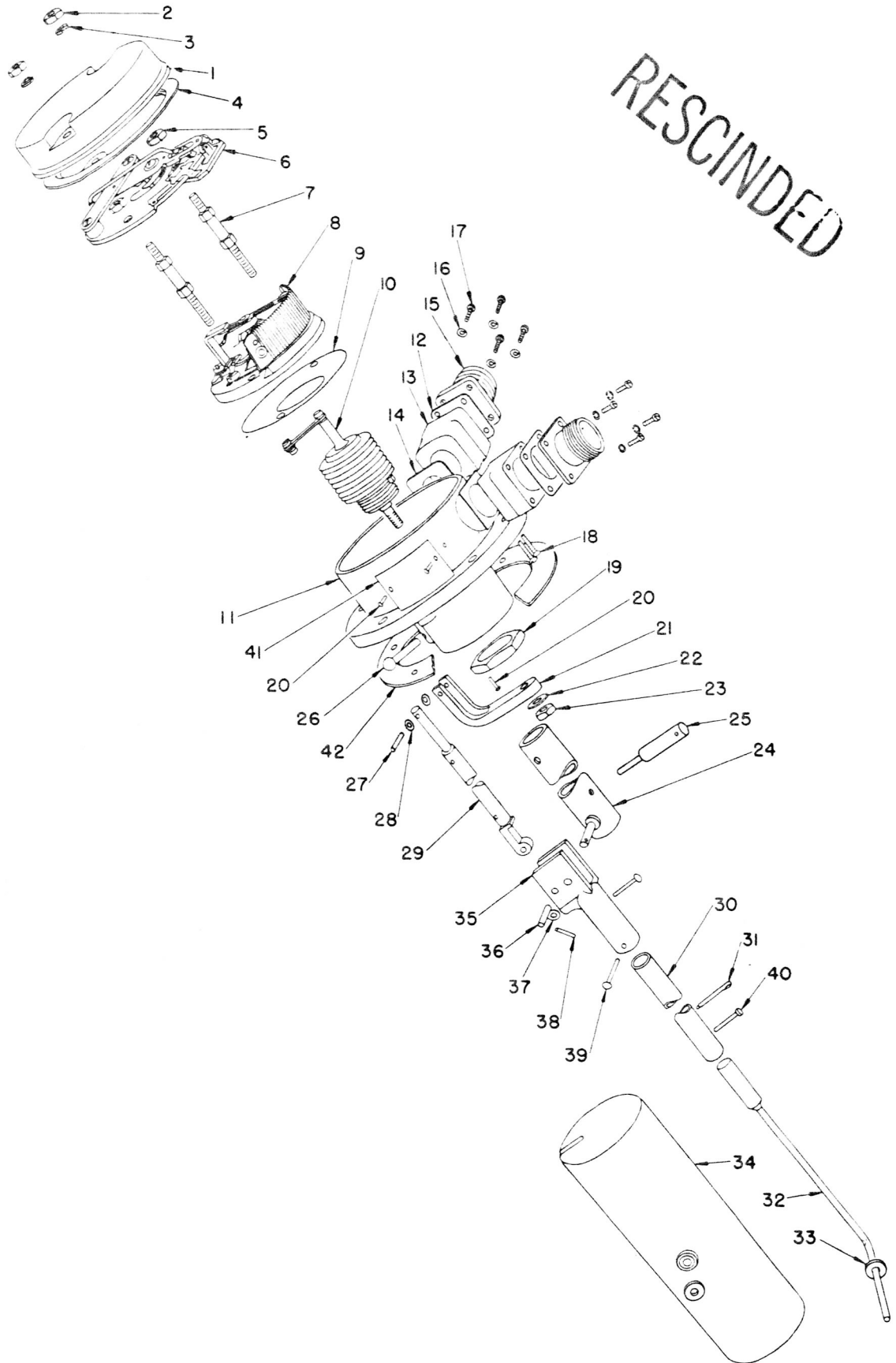


Figure 121—Tank Unit EA-65AWC

Section II
Group Assembly Parts List

EO 20-85BA-4

Fig. No.	Index No.	Part No.	Nomenclature	EA-65.AW'C-15504		EA-65.AW'C-15505	Units Per Assy
				1	2	3	
Tank Unit Assembly							
121	1	EA-16133	Cover—Housing	x		x	1
121	2	AN340B8	Nut	x		x	2
121	3	AN935B8	Washer—Lock	x		x	2
121	4	EA-17638	Gasket	x		x	1
121	5	AN340B8	Nut	x		x	2
121	6	EA-16101-1	+Contactor Assembly	x		x	1
92	1	EA-16109	Base Assembly	x		x	1
93	1	EA-16111-1	Base	x		x	1
93	2	EA-16115	Arm—Lower contact	x		x	1
93	3	EA-16137	Shoulder bushing	x		x	2
93	4	Comm	Lug—Solder—Zierick No. 15 Part No. 142 (EA-7957)	x		x	1
93	5	Comm	Lug—Solder—Zierick No. 15 Part No. 148 (EA-7958)	x		x	1
93	6	302-20-2	Pin—Escutcheon	x		x	6
92	2	EA-16102-1	Contact Plate Assembly	x		x	1
94	1	EA-16112-1	Plate—Contact	x		x	1
94	2	EA-16140	Stud—Insert	x		x	1
94	3	EA-16145	Lug—Terminal	x		x	1
94	4	EA-16138	Insulator	x		x	1
94	5	EA-16139R	Strip—Upper contact	x		x	1
94	5	EA-16139L	Strip—Upper contact	x		x	1
94	6	EA-16108	Roller Assembly	x		x	1
94	6A	EA-16114	Bracket—Roller	x		x	1
94	6B	Comm	Pin—Bank No. 5 (EA-3924)	x		x	1
94	6C	EA-16117	Roller	x		x	1
94	7	302-20-2	Pin—Escutcheon	x		x	11
92	3	EA-16105	Differential Fork and Contact Assembly	x		x	1
95	1	EA-16103	Differential Assembly	x		x	1
95	1A	EA-16107	Differential Lock Arm Assembly	x		x	1
95	1B	EA-16123	Arm—Lock differential	x		x	1
95	1C	EA-16124	Nut—Lock arm	x		x	1
95	1D	EA-16167	Washer	x		x	1
95	1E	EA-16126	Arm—Upper differential	x		x	1
95	1F	EA-16125	Arm—Lower differential	x		x	1
95	1G	EA-16129	Bearing Bushing	x		x	1
95	1H	AN935B6	Washer—Lock No. 6	x		x	1
95	1J	EA-16166	Screw—Binding hd 6 32 x 1/4 in.	x		x	1
95	2	EA-16104	Upper Contact Assembly	x		x	1
95	2A	EA-16119	Arm—Upper contact	x		x	1
95	2B	EA-16120	Holder—Brush	x		x	1
95	2C	EA-16121	Brush	x		x	3
95	2D	EA-16122	Lift—Point	x		x	1
95	2E	EA-16163	Lug—Terminal	x		x	1
95	2F	Comm	Bank—Pin No. 5 (EA-3924)	x		x	2
95	3	Comm	Bank—Pin No. 5 (EA-3924)	x		x	2
92	4	EA-16128-1	Pivot	x		x	1
92	5	EA-16131	Washer—Spacer	x		x	2
92	6	EA-16165	Screw—Binding hd No. 3 48 x 1/8 in.	x		x	1
92	7	EA-16134	Spacer	x		x	2
92	8	EA-16127	Bridge—Bearing	x		x	1
92	9	AN505B6-8	Screw, FL HD No. 6 32 x 1/2 in.	x		x	2
92	10	EA-16136-1	Nut—Special	x		x	2
92	11	Comm	White Braid Wire (72 strands of .002 wire) 2 1/4 in. lg (EA-7959)	x		x	1
121	7	EA-16132	Stud	x		x	2
121	8	EA-1502S-5	Potentiometer Assembly	x		x	1
119	1	EA-1504-5	Base Assembly—Potentiometer	x		x	1
117	1	EA-1512	Base	x		x	1
117	2	EA-6506	Resistor	x		x	1
117	3	EA-6522	Support	x		x	2
117	4	AN510B3-3	Screw, FL HD No. 3 56 x 3/16 in.	x		x	2
117	5	EA-1516	Shaft	x		x	1
117	6	EA-1524	Lever—Adjustment R —	x		x	1
117	7	EA-1527	Lever—Adjustment R +	x		x	1
117	8	EA-1522	Washer	x		x	3
117	9	EA-1523	Bushing	x		x	1
117	10	EA-1526	Eccentric—Adjustment	x		x	2

Fig. No.	Index No.	Part No.	Nomenclature	E.A-65.AW'C-15504		E.A-65.AW'C-15505		Units Per Assy
				1	2	3	4	
117	11	Comm	Wire—Connection 6-38 copper wire black (EA-7945-1)		x		x	1
117	12	EA-1576	Stud		x		x	1
117	13	Comm	Wire—Lenz Mfg. Co. (EA-6526)		x		x	2
119	2	EA-1257	Washer		x		x	2
119	3	EA-1505S	Arm—Contact and Switch Arm Assembly		x		x	1
119	3A	EA-1505	Arm Assembly—Contact		x		x	1
118	3A	EA-1514	Arm—Contact		x		x	1
118	3B	EA-1658	Shoe—Contact arm		x		x	1
118	3C	EA-1631	Blade—Contact arm		x		x	1
118	3D	EA-1550	Washer—Spring		x		x	1
118	3E	Comm	Eyelet, Waterbury Button, Part No. 9966 (EA-1518)		x		x	1
118	3F	EA-1582	Washer		x		x	1
119	3B	Comm	Eyelet, Waterbury Button, Part No. 9966 (EA-1518)		x		x	1
119	3C	EA-1559	Arm—Switch contact		x		x	1
119	3D	EA-1550	Washer—Spring		x		x	1
119	4	EA-1575	Spring		x		x	1
119	5	Comm	Pin—Locking (copper) No. 18 B & S ga x 3/8 in. lg (EA-1229)		x		x	1
119	6	EA-1520	Contactor—Contact arm		x		x	1
119	7	660-51	Lug—Solder		x		x	1
119	8	AN935B6	Washer—Lock		x		x	1
119	9	AN520B6-4	Screw, RH 6 40 x 1/4 in.		x		x	1
119	10	EA-1508	†Switch Assembly—Warning		x		x	1
75	1	EA-6511	Housing and Stem Assembly		x		x	1
75	1A	EA-1645	Housing Assembly		x		x	1
76	1	EA-1641	Housing—Warning switch		x		x	1
76	2	EA-1598	Plate—Stop		x		x	1
76	3	EA-1556	Spring—Arm return		x		x	1
76	4	AN430B2-3	Rivet, cut to 1/8 (EA-1529)		x		x	2
75	1B	EA-1510	Stem Assembly		x		x	1
76	5	EA-6510	Stem with contact point		x		x	1
76	5A	EA-1554	Stem		x		x	1
76	5B	EA-1567-1	Contact		x		x	1
76	6	EA-1557	Retainer—Diaphragm		x		x	1
76	7	EA-1566	Diaphragm		x		x	1
76	8	Comm	Cord—Waxed, dental floss, Johnson and Johnson Co. (EA-7920)		x		x	1
75	1C	EA-1656	Shaft—Stem		x		x	1
75	2	EA-1555	Arm—Contact		x		x	1
75	3	EA-1569	Pin—Contact arm		x		x	1
75	4	EA-1646	Cover Assembly		x		x	1
75	4A	EA-1643	Cover		x		x	1
75	4B	EA-1647-1	Contact		x		x	1
75	4C	EA-1655	Strip—Connection		x		x	1
75	4D	Comm	Pin—Bank No. 5 (EA-3924)		x		x	1
119	11	AN515B3-4	Screw, RH 3 48 x 1/4 in.		x		x	1
119	12	EA-1657	Spacer		x		x	1
119	13	AN515B3-5	Screw, RH 3 48 x 5/16 in.		x		x	1
121	9	EA-1583	Pad—Insulating		x		x	1
121	10	EA-1203	†Seal Assembly—Bellows		x		x	1
79	1	EA-1445	Bellows		x		x	1
79	2	EA-6507	Holder Assembly—Bellows		x		x	1
79	2A	EA-1232	Lever—Bellows		x		x	1
79	2B	EA-1446	Holder—Bellows		x		x	1
79	2C	EA-1233	Pin		x		x	1
79	2D	EA-1274	Pin—Locating		x		x	1
79	3	EA-1236	Stud—Bearing		x		x	1
79	4	FA-6503	Link Assembly		x		x	1
79	4A	EA-1235	Link		x		x	1
79	4B	EA-1237	Screw		x		x	1
79	4C	EA-1238	Washer		x		x	1
79	4D	EA-1239	Nut		x		x	1
121	11	EA-1511-53-55-2	Housing		x			1
121	11	EA-1511-53-54-1	Housing				x	1
121	12	EA-4546-1	Gasket		x		x	2
121	13	EA-4542	Block—Mounting		x		x	2

Section II
Group Assembly Parts List

EO 20-85BA-4

Fig. No.	Index No.	Part No.	Nomenclature							EA-65AW/C-15504	EA-65AW/C-15505	Units Per Assy
			1	2	3	4	5	6	7			
121	14	EA-4525								x	x	2
121	15	AND10066-14S-1P								x	x	1
121	15	AND10066-14S-2P								x	x	1
121	16	AN935B4								x	x	4
121	17	AN500B4-5								x	x	4
121	18	AN505B5-8								x	x	2
121	19	EA-1242								x	x	1
121	20	AN430-2-4								x	x	1
121	21	EA-1246								x	x	1
121	22	AN960B10								x	x	1
121	23	AN345B10								x	x	1
121	24	EA-1205-217								x	x	1
77	1	EA-1259-217								x	x	1
77	2	EA-1260								x	x	1
77	3	EA-1591B								x	x	1
121	25	EA-1519								x	x	1
121	26	AN430-4-18								x	x	1
121	27	EA-1258								x	x	1
121	28	8227								x	x	2
121	29	EA-9901-106								x	x	1
77	4	EA-1247								x	x	1
77	5	EA-1253-206								x	x	1
77	6	EA-8550								x	x	1
77	7	AN430D2-6								x	x	1
121	30	EA-1252-355								x		1
121	30	EA-1252-356									x	1
121	31	AN380B2-2								x	x	1
121	32	EA-1255-6A								x	x	1
78	12	EA-1255-6								x	x	1
78	14	EA-1254								x	x	1
121	33	EA-1257								x	x	2
121	34	EA-1294								x	x	1
78	1	EA-1270								x	x	1
78	2	EA-1280								x	x	1
78	3	EA-1268								x	x	2
78	4	EA-1269-1								x	x	1
121	35	EA-8525								x	x	1
121	36	EA-1245								x	x	1
121	37	AN960B8								x	x	1
121	38	Comm								x	x	1
121	39	Comm								x	x	2
121	40	8229								x	x	1
121	41	EA-1278								x	x	1
121	20	AN430-2-4								x	x	2
121	42	8262								x	x	1

Fig. No.	Index No.	Part No.	1	2	3	4	5	6	7	Nomenclature	Units Per Assy
121		EA-65AWC-170A-K-5409								Tank Unit	
121	6	†EA-16101-1								Contactors Assembly	1
121	8	EA-1502S-5								Potentiometer Assembly	1
117	2	EA-6506								Resistor	1
119	3	EA-1505S								Arm Assembly—Contact	1
121	11	EA-1511-53-20								Housing	1
121	12	EA-4546-1								Gasket	1
121	13	EA-4542								Block—Mounting	1
121	14	EA-4525								Gasket	1
121	15	EA-4502A								Receptacle	1
121	24	EA-1205-250								Pipe Assembly—Fulcrum	1
121	29	EA-9901-125								Rod Assembly—Operating	1
121	30	EA-1252-434								Arm—Float	1
115	28	EA-1255A								Fork—Float with Bushing	1
115	34	EA-1294								Float Assembly	1
121	35	EA-8523								Fulcrum	1

RESCINDED

ALL OTHER PARTS TO COMPLETE TANK UNIT FOUND ON
FIGURE 121

103



RESCINDED

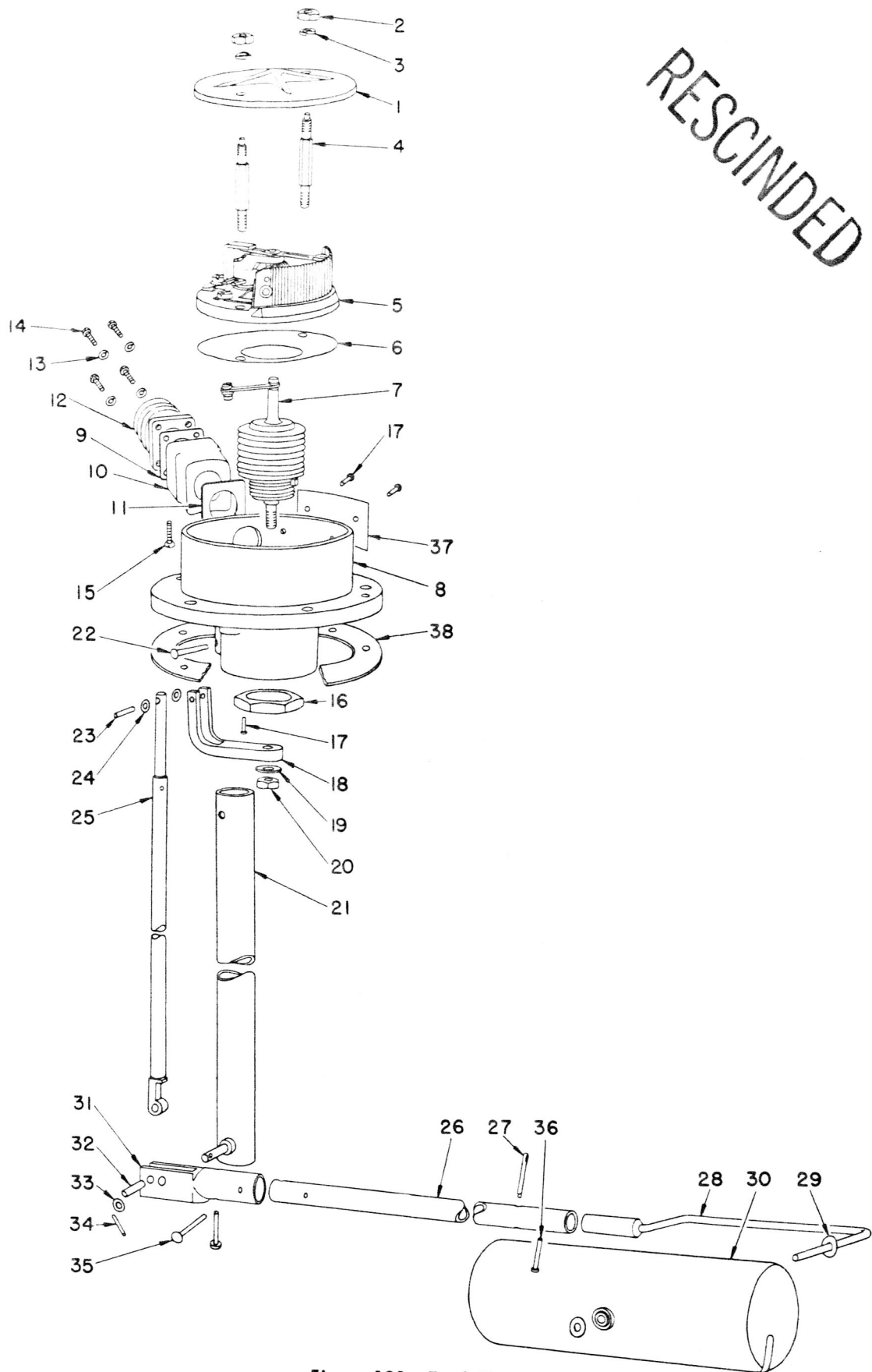


Figure 122—Tank Unit EA-84

Section II
Group Assembly Parts List

EO 20-85BA-4

Fig. No.	Index No.	Part No.	Nomenclature	EA-84-39-68106							Units Per Assy
				1	2	3	4	5	6	7	
			Tank Unit Assembly								
122	1	EA-1525	Cover—Housing						x		1
122	2	AN340B8	Nut						x		2
122	3	AN935B8	Washer—Lock						x		2
122	4	EA-1542	Stud						x		2
122	5	EA-1502-5	Potentiometer Assembly						x		1
118	1	EA-1504-5	Base Assembly—Potentiometer						x		1
117	1	EA-1512-2	Base						x		1
117	2	EA-6506	Resistor						x		1
117	3	EA-6522	Support						x		2
117	4	AN510B3-3	Screw, FL HD 3 56 x 3/16 in.						x		2
117	5	EA-1516	Shaft						x		1
117	6	EA-1524	Lever—Adjustment R —						x		1
117	7	EA-1527	Lever—Adjustment R +						x		1
117	8	EA-1522	Washer						x		3
117	9	EA-1523	Bushing						x		1
117	10	EA-1526	Eccentric—Adjustment						x		2
117	11	Comm	Wire—Connection, 6-38 copper wire black x 1/2 in. lg (EA-7945-1)						x		1
117	12	EA-1576	Stud						x		1
117	13	Comm	Lead—Lenz Mfg. Co. (EA-6526)						x		2
118	2	EA-1257	Washer						x		2
118	3	EA-1505	Arm Assembly—Contact						x		1
118	3A	EA-1514	Arm—Contact						x		1
118	3B	EA-1658	Shoe—Contact arm						x		1
118	3C	EA-1631	Blade—Contact arm						x		1
118	3D	EA-1580	Washer—Spring						x		1
118	3E	Comm	Eyelet, Waterbury Co. Part No. 9966 (EA-1518)						x		1
118	3F	EA-1582	Washer						x		1
118	4	EA-1575	Spring						x		1
118	5	Comm	Pin—Locking (copper) No. 18 B & S ga x 3/8 in. lg (EA-1229)						x		1
118	6	EA-1520	Contact—Contact arm						x		1
118	7	660-51	Lug—Solder						x		1
118	8	AN935B6	Washer—Lock						x		1
118	9	AN520B6-4	Screw, RH 6 40 x 1/4 in.						x		1
122	6	EA-1583	Pad—Insulating						x		1
122	7	EA-1203	†Seal Assembly—Bellows						x		1
79	1	EA-1445	Bellows						x		1
79	2	EA-6507	Holder Assembly—Bellows						x		1
79	2A	EA-1232	Lever—Bellows						x		1
79	2B	EA-1446	Holder—Bellows						x		1
79	2C	EA-1233	Pin						x		1
79	2D	EA-1274	Pin—Locating						x		1
79	3	EA-1236	Stud—Bearing						x		1
79	4	EA-6503	Link Assembly						x		1
79	4A	EA-1235	Link						x		1
79	4B	EA-1237	Screw						x		1
79	4C	EA-1238	Washer						x		1
79	4D	EA-1239	Nut						x		1
122	8	EA-8511-816-1	Housing						x		1
122	9	EA-4546-1	Gasket						x		1
122	10	EA-4542	Block—Mounting						x		1
122	11	EA-4525	Gasket						x		1
122	12	AND10066-14S-1P	Receptacle						x		1
122	13	AN935B4	Washer—Lock						x		4
122	14	AN500B4-5	Screw, fl hd 4 40 x 5/16 in.						x		4
122	15	AN505B5-8	Screw, FH 5 40 x 1/2 in.						x		2
122	16	EA-1242	Nut						x		1
122	17	AN430-2-4	Rivet						x		1
122	18	EA-1246	Arm						x		1
122	19	AN960B10	Washer						x		1
122	20	AN345B10	Nut, hex.						x		1
122	21	EA-1205-205	Pipe Assembly—Fulcrum						x		1
77	1	EA-1259-205	Pipe—Fulcrum						x		1
77	2	EA-1260	Stud—Fulcrum						x		1
77	3	EA-1591B	Plug—Fulcrum						x		1
122	22	AN430-4-18	Rivet						x		1
122	23	EA-1258	Pin—Operating						x		1

Fig. No.	Index No.	Part No.	Nomenclature 1 2 3 4 5 6 7	EA-84-39-68106			Units Per Assy
122	24	8227	Washer	x			2
122	25	EA-9901-94	Rod Assembly—Operating	x			1
77	4	EA-1247	Extension—Operating Rod	x			1
77	5	EA-1253-194	Rod—Operating	x			1
77	6	EA-8550	Link—Operating rod	x			1
77	7	AN430D26	Rivet	x			1
122	26	EA-1252-338	Arm—Float	x			1
122	27	AN380B2-2	Pin—Cotter	x			1
122	28	EA-1255A	Fork—Float with bushing	x			1
78	12	EA-1255	Fork—Float	x			1
78	14	EA-1254	Bushing	x			1
122	29	EA-1257	Washer	x			2
122	30	EA-1294	Float Assembly	x			1
78	1	EA-1270	Float	x			1
78	2	EA-1280	Bearing	x			1
78	3	EA-1268	Bushing	x			2
78	4	EA-1269-1	Weight	x			1
122	31	EA-8526	Fulcrum	x			1
122	32	EA-1245	Pin—Operating rod link	x			1
122	33	AN960B8	Washer	x			1
122	34	Comm	Pin—Locking (copper) No. 18 B & S ga x 3/8 in. lg (EA-1229)	x			1
122	35	Comm	Rivet, Stimpson No. H-149 brass (EA-8530)	x			2
122	36	8229	Rivet	x			1
122	37	EA-1278	Plate—Name	x			1
122	17	AN430-2-4	Rivet	x			2
122	38	EA-8513	Gasket	x			1



Fig. No.	Index No.	Part No.	Nomenclature 1 2 3 4 5 6 7	EA-84-47979-1			EA-84-47979-2			EA-84AW-29-685-001-1			Units Per Assy
Tank Unit Assembly													
123	1	EA-1525	Cover—Housing	x			x			x			1
123	2	AN340B8	Nut	x			x			x			2
123	3	AN935B8	Washer—Lock	x			x			x			2
123	4	EA-1542	Stud	x			x			x			2
123	5	EA-1502-5	Potentiometer Assembly	x			x						1
118	1	EA-1504-5	Base Assembly—Potentiometer	x			x						1
117	1	EA-1512-2	Base	x			x						1
117	2	EA-6506	Resistor	x			x						1
117	3	EA-6522	Support	x			x						2
117	4	AN510B3-3	Screw, FL HD No. 3 56 x 3/16 in.	x			x						2
117	5	EA-1516	Shaft	x			x						1
117	6	EA-1524	Lever—Adjustment R -	x			x						1
117	7	EA-1527	Lever—Adjustment R +	x			x						1
117	8	EA-1522	Washer	x			x						3
117	9	EA-1523	Bushing	x			x						1
117	10	EA-1526	Eccentric—Adjustment	x			x						2
117	11	EA-7945-1	Wire—Connection 6-38 copper wire black x 1/2 in. lg (EA-7945-1)	x			x						1
117	12	EA-1576	Stud	x			x						1

Section II
Group Assembly Parts List

EO 20-85BA-4

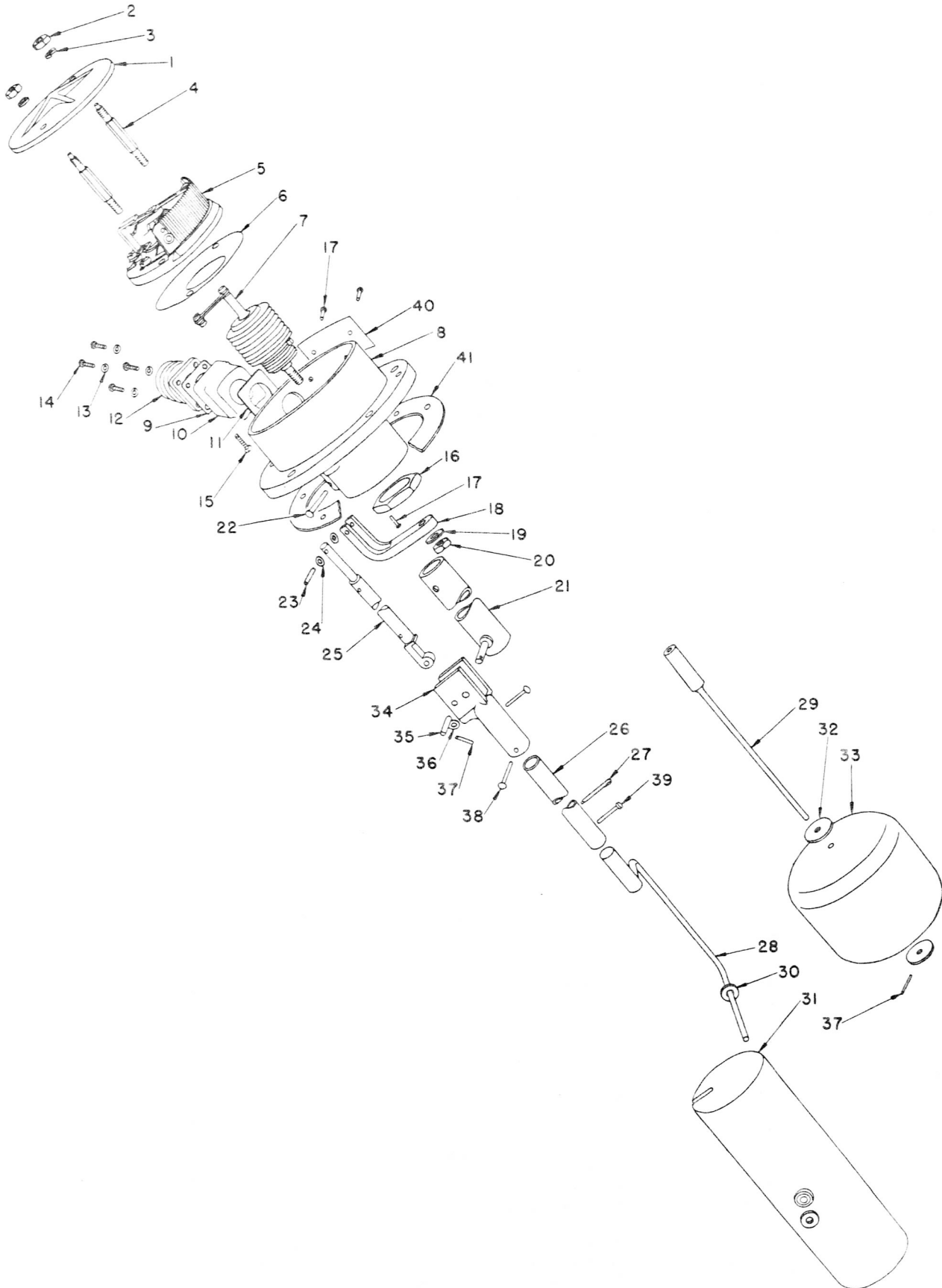


Figure 123—Tank Unit EA-84A and EA-84AW

Section II
Group Assembly Parts List

EO 20-85BA-4

Fig. No.	Index No.	Part No.	Nomenclature							EA-84A-47979-1	EA-84A-47979-2	EA-84AW-29-685-001-1	Units Per Assy
			1	2	3	4	5	6	7				
76	5A	EA-1554									x	1	
76	5B	EA-1567-1									x	1	
76	6	EA-1557									x	1	
76	7	EA-1566									x	1	
76	8	Comm									x	1	
75	1C	EA-1656									x	1	
75	2	EA-1555									x	1	
75	3	EA-1569									x	1	
75	4	EA-1646									x	1	
75	4A	EA-1643									x	1	
75	4B	EA-1647-1									x	1	
75	4C	EA-1655									x	1	
75	4D	Comm									x	1	
119	11	AN515B3-4									x	1	
119	12	EA-1657									x	1	
119	13	AN515B3-5									x	1	
123	6	EA-1583									x	1	
123	7	EA-1203									x	1	
79	1	EA-1445									x	1	
79	2	EA-6507									x	1	
79	2A	EA-1232									x	1	
79	2B	EA-1446									x	1	
79	2C	EA-1233									x	1	
79	2D	EA-1274									x	1	
79	3	EA-1236									x	1	
79	4	EA-6503									x	1	
79	4A	EA-1235									x	1	
79	4B	EA-1237									x	1	
79	4C	EA-1238									x	1	
79	4D	EA-1239									x	1	
123	8	EA-8511-51-4									x	1	
123	8	EA-8511-52-6									x	1	
123	8	EA-8511-53-1									x	1	
123	9	EA-4546-1									x	1	
123	10	EA-4542									x	1	
123	11	EA-4525									x	1	
123	12	AND10066-14S-1P									x	1	
123	12	AND10066-14S-2P									x	1	
123	13	AN935B4									x	4	
123	14	AN500B4-5									x	4	
123	15	AN505B5-8									x	2	
123	16	EA-1242									x	1	
123	17	AN430-2-4									x	1	
123	18	EA-1246									x	1	
123	19	AN960B10									x	1	
123	20	AN345B10									x	1	
123	21	EA-1205-111									x	1	
123	21	EA-1205-222									x	1	
77	1	EA-1259-111									x	1	
77	1	EA-1259-222									x	1	
77	2	EA-1260									x	1	
77	3	EA-1591B									x	1	
123	22	AN430-4-18									x	1	
123	23	EA-1258									x	1	
123	24	8227									x	2	
123	25	EA-9901-10									x	1	
123	25	EA-9901-111									x	1	
77	4	EA-1247									x	1	
77	5	EA-1253-110									x	1	
77	5	EA-1253-211									x	1	
77	6	EA-8550									x	1	

RESCINDED

Fig. No.	Index No.	Part No.	Nomenclature							EA-84A-47979-1	EA-84A-47979-2	EA-84AW-29-685-001-1	Units Per Assy
			1	2	3	4	5	6	7				
77	7	AN430D2-6								x			2
123	26	EA-1252-361								x	x		1
123	26	EA-1252-362								x			1
123	27	AN380B2-2								x			1
123	28	EA-1255A								x	x		1
123	29	EA-1255-123A								x			1
78	12	EA-1255								x			1
78	13	EA-1255-123								x			1
78	14	EA-1254								x	x		1
123	30	EA-1257								x			2
123	31	EA-1294								x	x		1
78	1	EA-1270								x			1
78	2	EA-1280								x			1
78	3	EA-1268								x			2
78	4	EA-1269-1								x			1
123	32	EA-1257-1											2
123	33	EA-1536										x	1
123	34	EA-8525								x			1
123	35	EA-1245								x			1
123	36	AN960B8								x	x		1
123	37	Comm								x			2
123	38	Comm											2
123	39	8229								x			1
123	40	EA-1278								x			1
123	17	AN430-2-4								x			2
123	41	EA-8513								x			1
123	41	EA-8527											1

Fig. No.	Index No.	Part No.	Nomenclature							EA-85-766121-L	EA-85-766121-R	EA-85-766125-L	EA-85-766125-R	EA-85W-943	Units Per Assy
			1	2	3	4	5	6	7						
124	1	EA-1525													
124	2	AN340B8								x	x	x	x		1
124	3	AN935B8								x	x	x	x		2
124	4	EA-1542								x	x	x	x		2
124	5	EA-1502-1								x	x	x	x		2
71	1	EA-1504-1								x	x	x	x		1
72	1	EA-1512								x	x	x	x		1
72	2	EA-1521								x	x	x	x		1
72	3	Comm								x	x	x	x		1
72	4	EA-1516								x	x	x	x		2
72	4	EA-1516								x	x	x	x		1
72	5	EA-1524								x	x	x	x		1
72	6	EA-1527								x	x	x	x		1
72	7	EA-1522								x	x	x	x		1
72	8	EA-1523								x	x	x	x		3
										x	x	x	x		1

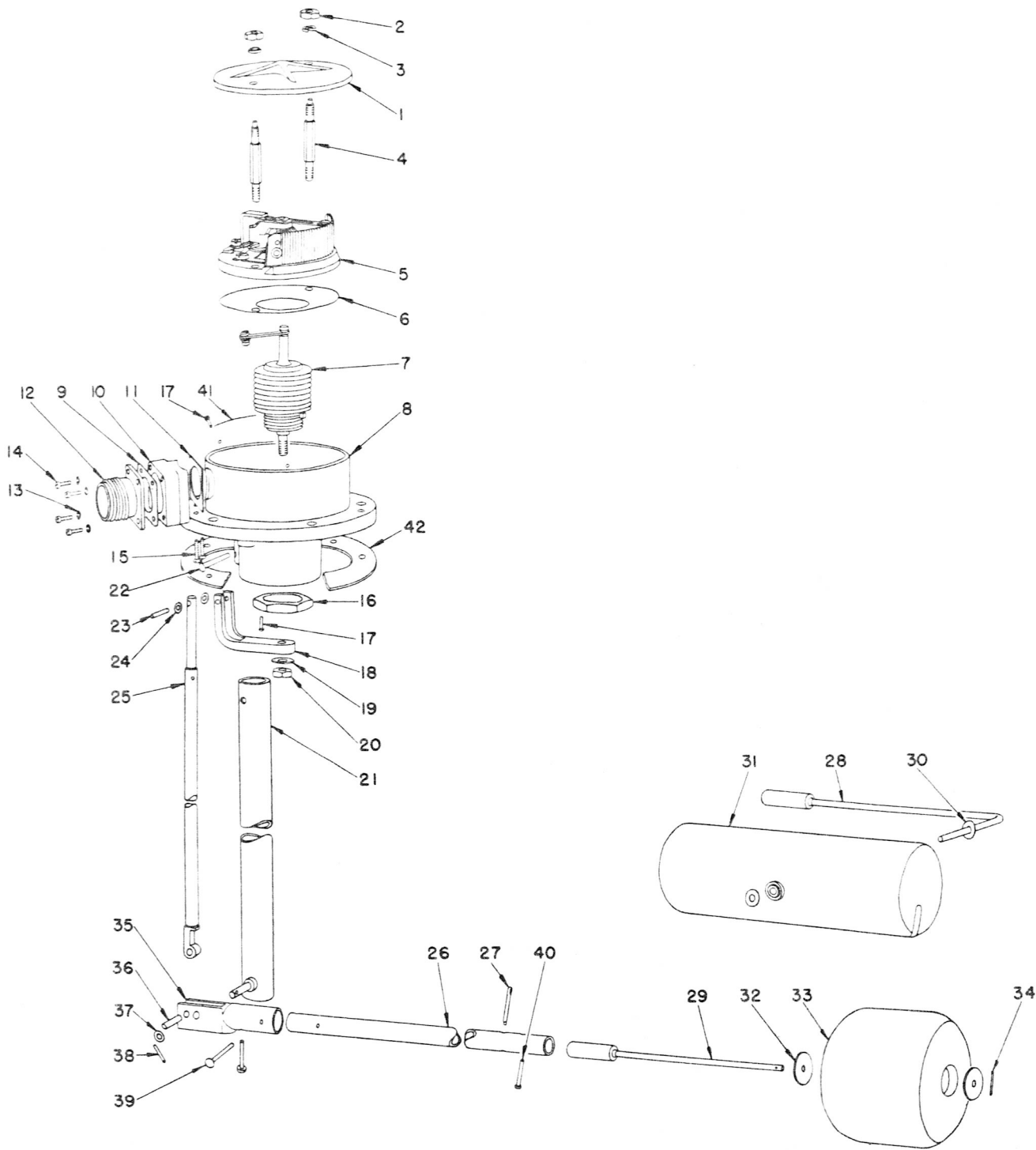


Figure 124—Tank Unit EA-85 and EA-85W

RESCINDED

Fig. No.	Index No.	Part No.	Nomenclature						EA-85W-943	Units Per Assy		
				1	2	3	4	5			6	7
72	9	EA-1526	Eccentric-Adjustment									
72	10	EA-1576	Stud									2
71	2	EA-1257	Washer									1
71	3	EA-1505	Arm Assembly-Contact									2
71	3A	EA-1514	Arm-Contact									1
71	3B	EA-1658	Shoe-Contact arm									1
71	3C	EA-1631	Blade-Contact arm									1
71	3D	EA-1550	Washer-Spring									1
71	3E	Comm	Eyelet, Waterbury Co. Part No. 9966 (EA-1518)									1
71	3F	EA-1582	Washer									1
71	4	EA-1575	Spring									1
71	5	Comm	Pin-Locking (copper) No. 18 B & S ga No. 18 x 3/8 in. lg (EA-1229)									1
71	6	EA-1520	Contactor-Contact arm									1
71	7	660-51	Lug-Solder									1
71	8	AN935B6	Washer-Lock									1
71	9	AN520B6-4	Screw, RH 6 40 x 1/4 in.									1
124	5	EA-1502S-1	Potentiometer Assembly									1
73	1	EA-1504-1	Base Assembly-Potentiometer									1
72	1	EA-1512	Base									1
72	2	EA-1521	Resistor									1
72	3	Comm	Eyelet, Stimpson Co. Part No. A-1177 (EA-1548)									1
72	4	EA-1516	Shaft									2
72	5	EA-1524	Lever-Adjustment R -									1
72	6	EA-1527	Lever-Adjustment R +									1
72	7	EA-1522	Washer									1
72	8	EA-1523	Bushing									3
72	9	EA-1526	Eccentric-Adjustment									1
72	10	EA-1576	Stud									2
73	2	EA-1257	Washer									1
73	3	EA-1505S	Arm-Contact and Switch Assembly									2
73	3A	EA-1505	Arm Assembly-Contact									1
71	3A	EA-1514	Arm-Contact									1
71	3B	EA-1658	Shoe-Contact arm									1
71	3C	EA-1631	Blade-Contact arm									1
71	3D	EA-1550	Washer-Spring									1
71	3E	Comm	Eyelet, Waterbury Co. Part No. 9966 (EA-1518)									1
71	3F	EA-1582	Washer									1
73	3B	Comm	Eyelet, Waterbury Co. Part No. 9966 (EA-1518)									1
73	3C	EA-1559	Arm-Switch contact									1
73	3D	EA-1550	Washer-Spring									1
73	4	EA-1575	Spring									1
73	5	Comm	Pin-Locking (copper) No. 18 B & S ga 3/8 in. lg (EA-1229)									1
73	6	EA-1520	Contactor-Contact arm									1
73	7	660-51	Lug-Solder									1
73	8	AN935B6	Washer-Lock									1
73	9	AN520B6-4	Screw, RH 6 40 x 1/4 in.									1
73	10	EA-1508	+Switch Assembly-Warning									1
75	1	EA-6511	Housing and Stem Assembly									1
75	1A	EA-1645	Housing Assembly									1
76	1	EA-1641	Housing-Warning switch									1
76	2	EA-1598	Plate-Stop									1
76	3	EA-1556	Spring-Arm return									1
76	4	AN430B2-3	Rivet, cut to 1/8 in.									1
75	1B	EA-1510	Stem Assembly									2
76	5	EA-6510	Stem with contact point									1
76	5A	EA-1554	Stem									1
76	5B	EA-1567-1	Contact									1
76	6	EA-1557	Retainer-Diaphragm									1

Section II
Group Assembly Parts List

EO 20-85BA-4

Fig. No.	Index No.	Part No.	Nomenclature								Units Per Assy	
				1	2	3	4	5	6	7		
76	7	EA-1566	Diaphragm								x	1
76	8	Comm	Cord—Waxed, dental floss Johnson and Johnson (EA-7920)								x	1
75	1C	EA-1656	Shaft—Stem								x	1
75	2	EA-1555	Arm—Contact								x	1
75	3	EA-1569	Pin—Contact arm								x	1
75	4	EA-1646	Cover Assembly								x	1
75	4A	EA-1643	Cover								x	1
75	4B	EA-1647-1	Contact								x	1
75	4C	EA-1655	Strip—Connection								x	1
75	4D	Comm	Pin—Bank No. 5 (EA-3924)								x	1
73	11	AN515B3-4	Screw, RH 3 48 x 1/4 in.								x	1
73	12	EA-1657	Spacer								x	1
73	13	AN515B3-5	Screw, RH 3 48 x 5/16 in.								x	1
124	6	EA-1583	Pad—Insulating	x							x	1
124	7	EA-1203	†Seal Assembly—Bellows	x	x						x	1
79	1	EA-1445	Bellows	x	x						x	1
79	2	EA-6507	Holder Assembly—Bellows	x	x						x	1
79	2A	EA-1232	Lever—Bellows	x	x						x	1
79	2B	EA-1446	Holder—Bellows	x	x						x	1
79	2C	EA-1233	Pin	x	x						x	1
79	2D	EA-1274	Pin—Locating	x	x						x	1
79	3	EA-1236	Stud—Bearing	x	x						x	1
79	4	EA-6503	Link Assembly	x	x						x	1
79	4A	EA-1235	Link	x	x						x	1
79	4B	EA-1237	Screw	x	x						x	1
79	4C	EA-1238	Washer	x	x						x	1
79	4D	EA-1239	Nut	x	x						x	1
124	8	EA-8511-52-2	Housing	x							x	1
124	8	EA-8511-51-3	Housing		x							1
124	8	EA-8511-815-2	Housing								x	1
124	9	EA-4546-1	Gasket								x	1
124	9	EA-4546-2	Gasket	x	x						x	1
124	10	EA-4542	Block—Mounting								x	1
124	10	EA-4543	Block—Mounting	x	x						x	1
124	11	EA-4525	Gasket	x	x						x	1
124	12	AND10066-12S-3P	Receptacle	x	x						x	1
124	12	AND10066-14S-1P	Receptacle								x	1
124	13	AN935B4	Washer—Lock	x	x						x	4
124	14	AN500B4-5	Screw, fl hd 4 40 x 5/16 in.	x	x						x	4
124	15	AN505B5-8	Screw, FH 5 40 x 1/2 in.	x	x						x	2
124	16	EA-1242	Nut	x	x						x	1
124	17	AN430-2-4	Rivet	x	x						x	1
124	18	EA-1246	Arm	x	x						x	1
124	19	AN960B10	Washer	x	x						x	1
124	20	AN345B10	Nut, hex.	x	x						x	1
124	21	EA-1205-175	Pipe Assembly—Fulcrum	x	x							1
124	21	EA-1205-203	Pipe Assembly—Fulcrum									1
124	21	EA-1205-143	Pipe Assembly—Fulcrum								x	1
77	1	EA-1259-175	Pipe—Fulcrum	x	x							1
77	1	EA-1259-203	Pipe—Fulcrum								x	1
77	1	EA-1259-143	Pipe—Fulcrum								x	1
77	2	EA-1260	Stud—Fulcrum	x	x						x	1
77	3	EA-1591B	Plug—Fulcrum	x	x						x	1
124	22	AN4304-18	Rivet	x	x						x	1
124	23	EA-1258	Pin—Operating	x	x						x	1
124	24	8227	Washer	x	x						x	2
124	25	EA-9901-67	Rod Assembly—Operating	x	x							1
124	25	EA-9901-92	Rod Assembly—Operating								x	1
124	25	EA-9901-39	Rod Assembly—Operating								x	1
77	4	EA-1247	Extension—Operating rod								x	1
77	5	EA-1253-167	Rod—Operating	x	x							1
77	5	EA-1253-192	Rod—Operating								x	1

RESCINDED

Fig. No.	Index No.	Part No.	Nomenclature								Units per Assy.	
				1	2	3	4	5	6	7		
124			Tank Unit									
91	1	EA-16133	Cover									1
91	1	EA-8540	Cover				x			x		1
91	2	EA-16144	Nut							x	x	1
91	2	EA-8544	Nut				x					2
91	2	EA-16141	Nut							x	x	2
91	7	EA-16132	Stud—Mounting							x		2
91	3	EA-16142	Washer							x		2
91	3	EA-8559	Washer									2
91	5	AN340B8	Nut—Hex. Brass, No. 8-32				x					2
91	4	EA-17638	Gasket									2
91	4	EA-8541-1	Gasket				x			x		1
124	5	EA-1502-1	Potentiometer Assembly							x	x	1
124	5	EA-1502S-32	Potentiometer Assembly	x	x	x					x	1
124	5	EA-1502S-1	Potentiometer Assembly							x	x	1
72	2	EA-1521	Resistor							x	x	1
71	3	EA-1505	Arm Assembly—Contact	x	x	x	x	x	x		x	1
73	3	EA-1505S	Arm—Contact and Switch Arm	x	x	x				x	x	1
91	6	EA-16101-1	†Contactor Assembly—See Figure 91							x	x	1
124	8	EA-8511-53-2	Housing							x		1
124	8	EA-8511-52-2	Housing							x		1
124	8	EA-8511-87-1	Housing							x		1
124	8	EA-8511-53-6	Housing							x	x	1
124	8	EA-8511-101-1	Housing								x	1
124	8	EA-8511-53-5	Housing	x	x							1
124	8	EA-8511-52-3	Housing								x	1
124	9	EA-4546-2	Gasket									x
124	9	EA-4546-1	Gasket	x	x					x	x	1
124	10	EA-4542	Block—Mounting				x	x	x	x		1
124	10	EA-56542-1	Block—Mounting					x				1
124	10	EA-56542	Block—Mounting					x		x		1
124	10	EA-4543	Block—Mounting							x		1
124	10	EA-56543-1	Block—Mounting	x	x							1
124	11	EA-4525	Gasket							x	x	1
124	12	EA-4509A	Receptacle	x	x	x	x	x	x	x	x	1
124	12	EA-4510A	Receptacle	x		x				x	x	1
124	12	EA-4504A	Receptacle					x				1
124	12	EA-4507A	Receptacle					x	x			1
124	21	EA-1205-111	Pipe Assembly			x				x		1
124	21	EA-1205-237	Pipe Assembly	x	x							1
124	21	EA-1205-236	Pipe Assembly					x				1
124	21	EA-1205-108	Pipe Assembly						x	x		1
124	21	EA-1205-230	Pipe Assembly							x	x	1
124	25	EA-9901-10	Rod Assembly				x					1
124	25	EA-9901-54	Rod Assembly	x	x							1
124	25	EA-9901-126	Rod Assembly					x				1
124	25	EA-8589	Rod—Operating					x	x			1
124	26	EA-1252-270	Arm—Float							x	x	1
124	26	EA-1252-410	Arm—Float	x								1
124	26	EA-1252-472	Arm—Float							x		1
124	26	EA-1252-475	Arm—Float								x	1
124	26	EA-1252-269	Arm—Float									x
124	26	EA-1252-376	Arm—Float				x					1
124	26	EA-1252-467	Arm—Float					x				1
124	26	EA-1252-353	Arm—Float						x	x		1
124	28	EA-1255-2A	Fork—Float with Bushing				x					1
124	28	EA-1255-123A	Fork—Float with Bushing	x	x							1
124	29	EA-1255-119-1A	Fork—Float with Bushing					x				1
124	31	EA-1294	Float Assembly				x	x	x			1
124	31	EA-1291-M	Float Assembly	x	x							1
124	33	EA-1536	Float							x	x	1
124	35	EA-8524	Fulcrum				x					1
124	42	EA-8522	Gasket	x	x	x						1
124	42	EA-8527	Gasket						x	x		1
124	42	EA-8513	Gasket					x		x		1
124	42	8262	Gasket								x	1

ALL OTHER PARTS TO COMPLETE THE ABOVE TANK UNITS ARE FOUND ON FIGURE 124

RESCINDED

Fig. No.	Index No.	Part No.	Nomenclature							EA-85-766121-L	EA-85-766121-R	EA-85-766125-L	EA-85-766125-R	EA-85W-943	Units Per Assy
			1	2	3	4	5	6	7						
77	5	EA-1253-139												x	1
77	6	EA-8550												x	1
77	7	AN430D2-6												x	2
124	26	EA-1252-298												x	1
124	26	EA-1252-333												x	1
124	26	EA-1252-297												x	1
124	27	AN380B2-2												x	1
124	28	EA-1255-107A												x	1
124	29	EA-1255-123A												x	1
78	12	EA-1255-107												x	1
78	13	EA-1255-123												x	1
78	14	EA-1254												x	1
124	30	EA-1257												x	2
124	31	EA-1294												x	1
78	1	EA-1270												x	1
78	2	EA-1280												x	1
78	3	EA-1268												x	2
78	4	EA-1269-1												x	1
124	32	EA-1257-1												x	2
124	33	EA-1536-1												x	1
124	34	Comm												x	1
124	35	EA-8524												x	1
124	35	EA-8526												x	1
124	36	EA-1245												x	1
124	37	AN960B8												x	1
124	38	Comm												x	1
124	39	Comm												x	2
124	40	8229												x	1
124	41	EA-1278												x	1
124	17	AN430-2-4												x	2
124	42	8262												x	1

Fig. No.	Index No.	Part No.	Nomenclature							EA-85A-32R-4282	EA-85AW-120713	EA-85AW-120782	Units Per Assy		
			1	2	3	4	5	6	7						
125	1	EA-1525													
125	2	AN340B8												x	1
125	3	AN935B8												x	2
125	4	EA-1542												x	2
125	5	EA-1502-1												x	2
71	1	EA-1504-1												x	1
72	1	EA-1512												x	1
72	2	EA-1521												x	1
72	3	Comm												x	1
72	4	EA-1516												x	2
72	5	EA-1524												x	1
72	6	EA-1527												x	1
72	7	EA-1522												x	1

Section II
Group Assembly Parts List

EO 20-85BA-4

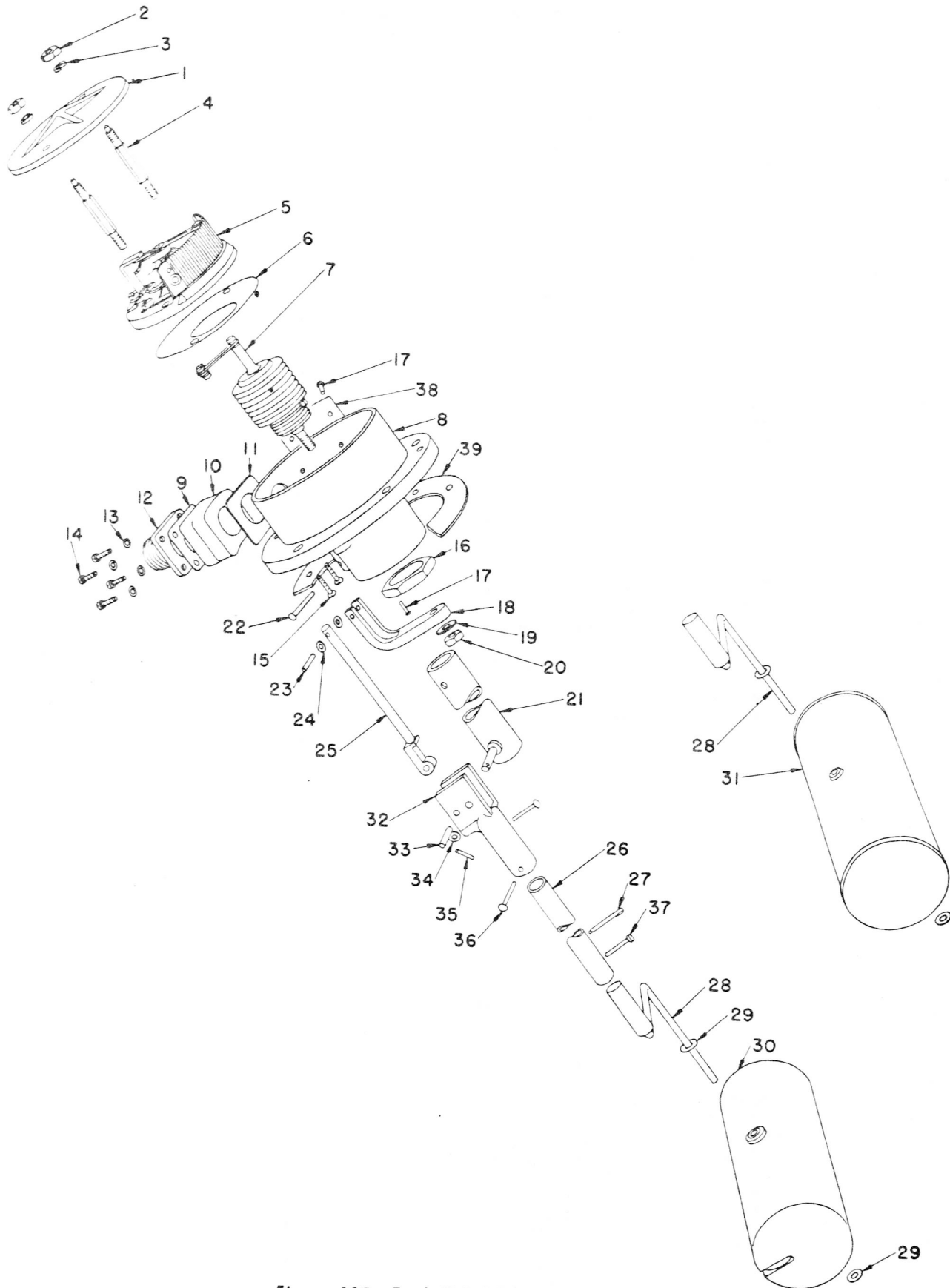


Figure 125—Tank Unit EA-85 and EA-85AW

RESCINDED

Fig. No.	Index No.	Part No.	Nomenclature							EA-85A-12R-4282	EA-85AW-120713	EA-85AW-120782	Units Per Assy
			1	2	3	4	5	6	7				
72	8	EA-1523								x			1
72	9	EA-1526								x			2
72	10	EA-1576								x			1
71	2	EA-1257								x			2
71	3	EA-1505								x			1
71	3A	EA-1514								x			1
71	3B	EA-1658								x			1
71	3C	EA-1631								x			1
71	3D	EA-1550								x			1
71	3E	Comm								x			1
71	3F	EA-1582								x			1
71	4	EA-1575								x			1
71	5	Comm								x			1
71	6	EA-1520								x			1
71	7	660-51								x			1
71	8	AN935B6								x			1
71	9	AN520B6-4								x			1
125	5	EA-1502S-1								x			1
73	1	EA-1504-1								x			1
72	1	EA-1512									x	x	1
72	2	EA-1521									x	x	1
72	3	Comm									x	x	2
72	4	EA-1516										x	1
72	5	EA-1524										x	1
72	6	EA-1527										x	1
72	7	EA-1522										x	1
72	8	EA-1523										x	3
72	9	EA-1526										x	1
72	10	EA-1576										x	2
73	2	EA-1257										x	1
73	3	EA-1505S										x	2
73	3A	EA-1505										x	1
71	3A	EA-1514										x	1
71	3B	EA-1658										x	1
71	3C	EA-1631										x	1
71	3D	EA-1550										x	1
71	3E	Comm										x	1
71	3F	EA-1582										x	1
73	3B	Comm										x	1
73	3C	EA-1559										x	1
73	3D	EA-1550										x	1
73	4	EA-1575										x	1
73	5	Comm										x	1
73	6	EA-1520										x	1
73	7	660-51										x	1
73	8	AN935B6										x	1
73	9	AN520B6-4										x	1
73	10	EA-1508										x	1
75	1	EA-6511										x	1
75	1A	EA-1645										x	1
76	1	EA-1641										x	1
76	2	EA-1598										x	1
76	3	EA-1556										x	1
76	4	AN430B2-3										x	1
75	1B	EA-1510										x	2
76	5	EA-6510										x	1
76	5A	EA-1554										x	1
76	5B	EA-1567-1										x	1
76	6	EA-1557										x	1

Section II
Group Assembly Parts List

EO 20-85BA-4

Fig. No.	Index No.	Part No.	Nomenclature								Units Per Assy			
				1	2	3	4	5	6	7				
76	7	EA-1566	Diaphragm								x	x		1
76	8	Comm	Cord—Waxed, dental floss, Johnson and Johnson Co. (EA-7920)								x	x		1
75	1C	EA-1656	Shaft—Stem									x	x	1
75	2	EA-1555	Arm—Contact								x	x		1
75	3	EA-1569	Pin—Contact arm								x	x		1
75	4	EA-1646	Cover Assembly								x	x		1
75	4A	EA-1643	Cover								x	x		1
75	4B	EA-1647-1	Contact								x	x		1
75	4C	EA-1655	Strip—Connection								x	x		1
75	4D	Comm	Pin—Bank No. 5 (EA-3924)								x	x		1
73	11	AN515B3-4	Screw, RH 3 48 x 1/4 in.								x	x		1
73	12	EA-1657	Spacer								x	x		1
73	13	AN515B3-5	Screw, RH 3 48 x 5/16 in.								x	x		1
125	6	EA-1583	Pad—Insulating								x	x	x	1
125	7	EA-1203	†Seal Assembly—Bellows								x	x	x	1
79	1	EA-1445	Bellows								x	x		1
79	2	EA-6507	Holder Assembly—Bellows								x	x		1
79	2A	EA-1232	Lever—Bellows								x	x		1
79	2B	EA-1446	Holder—Bellows								x	x		1
79	2C	EA-1233	Pin								x	x		1
79	2D	EA-1274	Pin—Locating								x	x		1
79	3	EA-1236	Stud—Bearing								x	x		1
79	4	EA-6503	Link Assembly								x	x		1
79	4A	EA-1235	Link								x	x		1
79	4B	EA-1237	Screw								x	x		1
79	4C	EA-1238	Washer								x	x		1
79	4D	EA-1239	Nut								x	x		1
125	8	EA-8511-51-1	Housing								x			1
125	8	EA-8511-811-1	Housing									x		1
125	8	EA-8511-816-3	Housing										x	1
125	9	EA-4546-1	Gasket								x	x		1
125	10	EA-4542	Block—Mounting								x	x		1
125	11	EA-4525	Gasket								x	x		1
125	12	AND10066-14S-1P	Receptacle								x	x		1
125	13	AN935B4	Washer—Lock								x	x		4
125	14	AN500B4-5	Screw, fil hd 4 40 x 5/16 in.								x	x		4
125	15	AN505B5-8	Screw, FH 5 40 x 1/2 in.								x	x		2
125	16	EA-1242	Nut								x	x		1
125	17	AN430-2-4	Rivet								x	x		1
125	18	EA-1246	Arm								x	x		1
125	19	AN960B10	Washer								x	x		1
125	10	AN345B10	Nut, hex.								x	x		1
125	21	EA-1205-113	Pipe Assembly—Fulcrum								x	x		1
77	1	EA-1259-113	Pipe—Fulcrum								x	x		1
77	2	EA-1260	Stud—Fulcrum								x	x		1
77	3	EA-1591B	Plug—Fulcrum								x	x		1
125	22	AN430-4-18	Rivet								x	x		1
125	23	EA-1258	Pin—Operating								x	x		1
125	24	8227	Washer								x	x		2
125	25	EA-8589	Rod—Operating								x	x		1
125	26	EA-1252-274	Arm—Float								x			1
125	26	EA-1252-363	Arm—Float									x		1
125	26	EA-1252-364	Arm—Float										x	1
125	27	AN380B2-2	Pin—Cotter								x	x		1
125	28	EA-1255-2A	Fork—Float with bushing								x	x	x	1
78	12	EA-1255-2	Fork—Float								x	x		1
78	14	EA-1254	Bushing								x	x		1
125	29	EA-1257	Washer								x	x		2
125	30	EA-1294	Float Assembly								x			1
78	1	EA-1270	Float								x			1
78	2	EA-1280	Bearing								x			1
78	3	EA-1268	Bushing								x			2
78	4	EA-1269-1	Weight								x			1

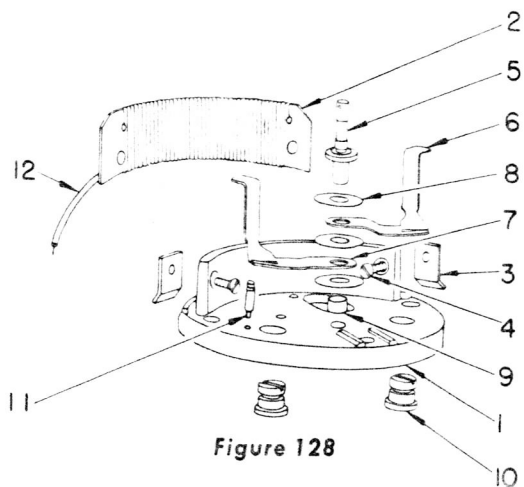


Figure 128

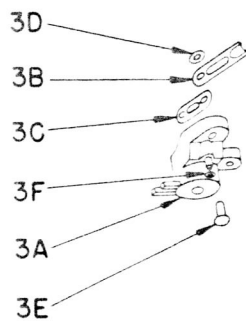


Figure 129

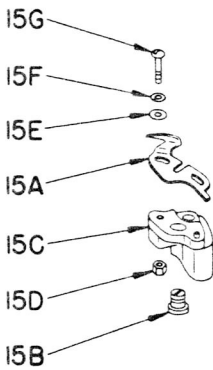


Figure 126

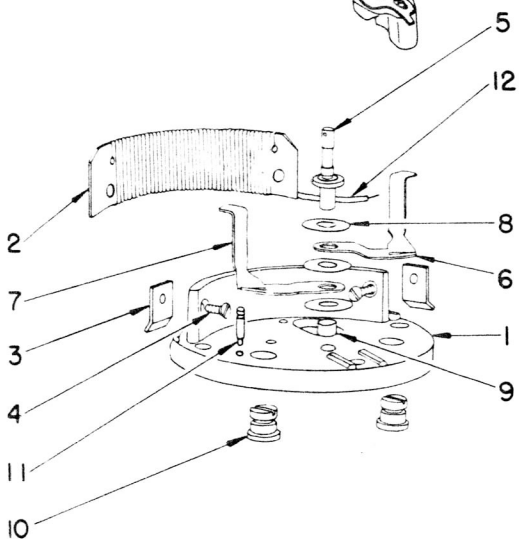
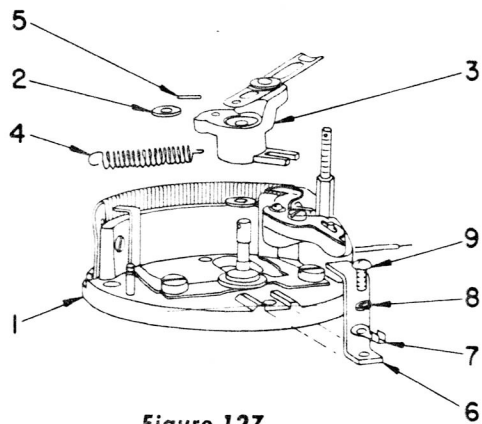


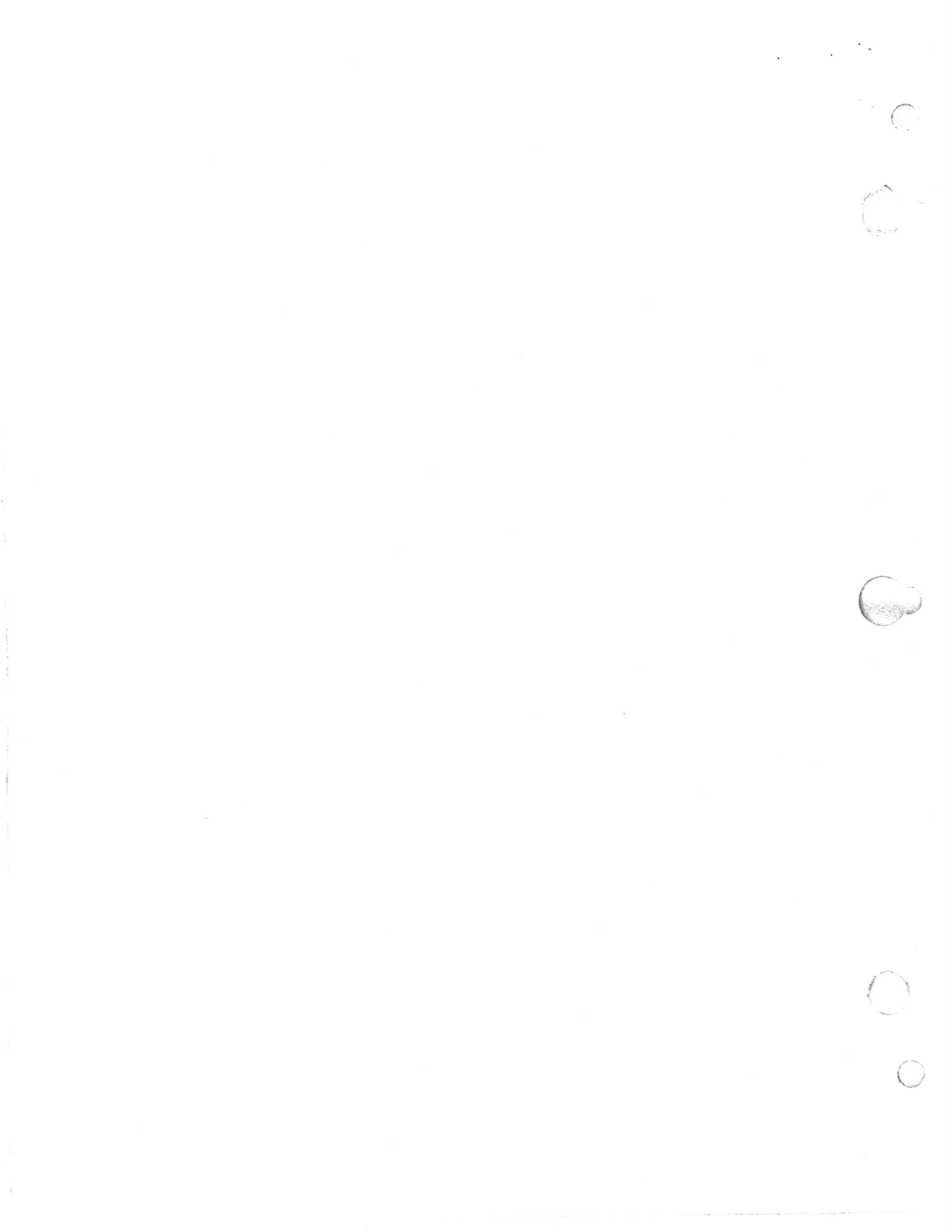
Figure 127



POTENTIOMETER

Fig. No.	Index No.	Part No.	Nomenclature								Units Per Assy	
				1	2	3	4	5	6	7		
130			Tank Unit									
130	42	EA-8540	Cover						x		x	1
130	43	EA-8541	Gasket—Cover						x		x	1
130	44	EA-8544	Nut						x		x	2
130	45	EA-8549	Gasket—Nut						x		x	2
130	4	EA-8542	Stud—Cover						x		x	1
126	13	EA-8543	Stud—Cover						x		x	1
130	5	EA-1502-13	Potentiometer Assembly						x			1
126	2	EA-8721-1	Resistor						x			1
127	3	EA-1505	Arm Assembly—Contact						x			1
130	5	EA-1502-14	Potentiometer Assembly								x	1
128	2	EA-8721-2	Resistor								x	1
129	3	EA-1505	Arm Assembly—Contact								x	1
130	8	EA-1511-51-6	Housing						x			1
130	8	EA-1511-52-7	Housing								x	1
130	46	EA-6533	Conduit Fitting						x		x	1
130	47	AN455AD3-4	Rivet						x		x	2
130	48	EA-6548	Plastic Tubing						x		x	1
130	49	Comm.	Spaghetti 1/8 O. D. x 5/65 I. D. x 12 1/2 in.						x		x	1
130	50	EA-8546	Fitting—Flexible Line Assembly						x		x	1
130	51	EA-8551	Grommet						x		x	1
130	52	EA-8552	Washer						x		x	1
130	53	AN3054-6	Nut—Coupling Conduit						x		x	1
130	54	AN3101-14S-2P	Receptacle						x		x	1
130	21	EA-1205-123	Pipe Assembly—Fulcrum						x			1
130	21	EA-1205-124	Pipe Assembly—Fulcrum								x	1
130	28	EA-9901-21	Rod Assembly—Operating						x			1
130	28	EA-9901-22	Rod Assembly—Operating								x	1
130	29	EA-1252-226	Arm—Float						x			1
130	29	EA-1252-203	Arm—Float								x	1
130	31	EA-1255-15	Fork—Float with Bushing						x		x	1
130	34	EA-8524	Fulcrum						x		x	1
115	46	EA-6592	Clamp—Float Arm Stop						x		x	1
115	47	EA-6593	Bracket—Float Arm Stop						x		x	1
115	48	EA-6555	Arm—Float Arm Stop						x		x	1
115	49	AN430-4-5	Rivet						x		x	4
115	50	AN935B10	Washer—Lock						x		x	2
115	51	AN340B10	Nut						x		x	2
115	52	Comm.	Screw, Binding H. No. 10-32 x 1/2 in.						x		x	2

ALL OTHER PARTS TO COMPLETE THESE
TANK UNITS ARE FOUND ON FIGURE 130



RESCINDED

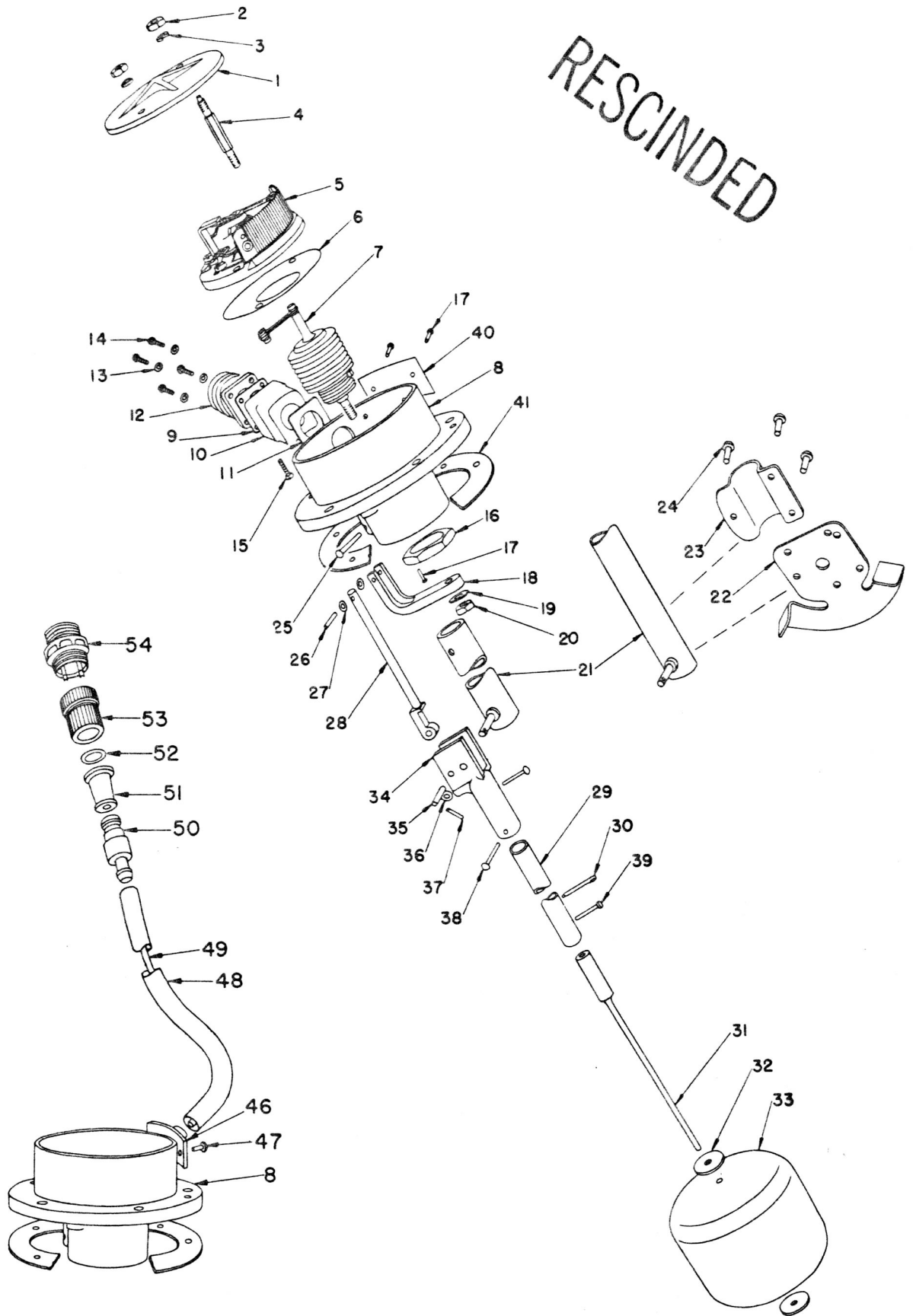


Figure 130—Tank Unit EA-88 and EA-89

Section II
Group Assembly Parts List

EO 20-85BA-4

Fig. No.	Index No.	Part No.	Nomenclature							EA-88A-4171346-2	EA-89A-4171346-4	EA-88A-4171346-6	EA-89A-4171346-8	EA-88A-4175744-4	EA-89A-4175744-2	Units Per Assy
			1	2	3	4	5	6	7							
129	3B	EA-1658							x		x		x		1	
129	3C	EA-1631							x		x		x		1	
129	3D	EA-1550							x		x		x		1	
129	3E	Comm							x		x		x		1	
129	3F	EA-1582							x		x		x		1	
127	4	EA-1575							x		x		x		1	
127	5	Comm							x		x		x		1	
127	6	EA-1520							x		x		x		1	
127	7	660-51							x		x		x		1	
127	8	AN935B-6							x		x		x		1	
127	9	AN520B6-4							x		x		x		1	
130	5	EA-1502-14								x		x		x	1	
129	1	EA-1504-14								x		x		x	1	
128	1	EA-1512-2								x		x		x	1	
128	2	EA-8721-2								x		x		x	1	
128	3	EA-6522								x		x		x	2	
128	4	AN510B3-3								x		x		x	2	
128	5	EA-1516								x		x		x	1	
128	6	EA-1527								x		x		x	1	
128	7	EA-1524								x		x		x	1	
128	8	EA-1522								x		x		x	3	
128	9	EA-1523								x		x		x	1	
128	10	EA-1526								x		x		x	2	
128	11	EA-1576								x		x		x	1	
128	12	Comm								x		x		x	2	
129	2	EA-1257								x		x		x	2	
129	3	EA-1505								x		x		x	1	
129	3A	EA-1514								x		x		x	1	
129	3B	EA-1658								x		x		x	1	
129	3C	EA-1631								x		x		x	1	
129	3D	EA-1550								x		x		x	1	
129	3E	Comm								x		x		x	1	
129	3F	EA-1582								x		x		x	1	
129	4	EA-1575								x		x		x	1	
129	5	Comm								x		x		x	1	
129	6	EA-1520								x		x		x	1	
129	7	660-51								x		x		x	1	
129	8	AN935B6								x		x		x	1	
129	9	AN520B6-4								x		x		x	1	
130	6	EA-1583							x		x	x	x	x	1	
130	7	EA-1203							x	x	x	x	x	x	1	
79	1	EA-1445							x	x	x	x	x	x	1	
79	2	EA-6507							x	x	x	x	x	x	1	
79	2A	EA-1232							x	x	x	x	x	x	1	
79	2B	EA-1446							x	x	x	x	x	x	1	
79	2C	EA-1233							x	x	x	x	x	x	1	
79	2D	EA-1274							x	x	x	x	x	x	1	
79	3	EA-1236							x	x	x	x	x	x	1	
79	4	EA-6503							x	x	x	x	x	x	1	
79	4A	EA-1235							x	x	x	x	x	x	1	
79	4B	EA-1237							x	x	x	x	x	x	1	
79	4C	EA-1238							x	x	x	x	x	x	1	
79	4D	EA-1239							x	x	x	x	x	x	1	
130	8	EA-1511-82-1							x	x	x	x	x	x	1	
130	9	EA-4546-1							x	x	x	x	x	x	1	
130	10	EA-4542							x	x	x	x	x	x	1	
130	11	EA-4525							x	x	x	x	x	x	1	
130	12	AND10066-14S-2P							x	x	x	x	x	x	1	
130	13	AN935B4							x	x	x	x	x	x	4	
130	14	AN500B4-5							x	x	x	x	x	x	4	

Group Assembly Parts List

RESCINDED

Fig. No.	Index No.	Part No.	Nomenclature								Units Per Assy	
				1	2	3	4	5	6	7		
130	15	AN505B5-8	Screw, FH 5 40 x 1/2 in.	x								2
130	16	EA-1242	Nut	x	x							1
130	17	AN430-2-4	Rivet	x	x							1
130	18	EA-1246	Arm	x	x							1
130	19	AN960B10	Washer	x	x							1
130	20	AN345B10	Nut, hex.	x	x							1
130	21	EA-1205-131	Pipe Assembly—Fulcrum	x	x							1
77	1	EA-1259-131	Pipe—Fulcrum	x	x							1
77	2	EA-1260	Stud—Fulcrum	x	x							1
77	3	EA-1591B	Plug—Fulcrum	x	x							1
130	22	EA-6573	Bracket—Float stop	x	x							1
130	23	EA-6571	Strap Clamp—Float stop	x	x							1
130	24	AN430-4-5	Rivet	x	x							1
130	25	AN430-4-18	Rivet	x	x							3
130	26	EA-1258	Pin—Operating	x	x							1
130	27	8227	Washer	x	x							2
130	28	EA-1289-11	Rod—Operating	x	x							1
130	29	EA-1252-273	Arm—Float	x								1
130	29	EA-1252-226	Arm—Float									1
130	30	AN380-B2-2	Pin—Cotter	x	x							1
130	31	EA-1255-119-1A	Fork—Float with bushing	x	x							1
78	13	EA-1255-119-1	Fork—Float	x	x							1
78	14	EA-1254	Bushing	x	x							1
130	32	EA-1257-1	Washer	x	x							2
130	33	EA-1536	Float	x	x							1
130	34	EA-8525	Fulcrum	x	x							1
130	35	EA-1245	Pin—Operating rod link	x	x							1
130	36	AN960B8	Washer	x	x							1
130	37	EA-1229	Pin—Locking	x	x							1
130	38	Comm	Rivet, Stimpson No. H-149 brass (EA-8530)	x	x							2
130	39	8229	Rivet	x	x							1
130	40	EA-1278	Plate—Name	x	x							1
130	17	AN430-2-4	Rivet	x	x							2
130	41	8262	Gasket	x	x							1

Fig. No.	Index No.	Part No.	Nomenclature								Units Per Assy	
				1	2	3	4	5	6	7		
			Tank Unit Assembly									
131	1	EA-1801	Cover—Housing						x			1
131	2	EA-1824	Nut						x			2
131	3	EA-1818	Washer						x			2
131	4	EA-1820	Gasket						x			1
131	5	EA-1823	Stud						x			2
131	6	EA-9202S	Potentiometer Base Assembly with Warning Switch						x			1
131	6A	EA-9204	Base Assembly—Potentiometer						x			1
131	6A1	EA-1512	Base						x			1
131	6A2	EA-1516	Shaft						x			1
131	6A3	AN960B10	Washer						x			3
131	6A4	EA-1576	Stud						x			1
131	6B	EA-1257	Washer						x			2
131	6C	EA-9205S	Arm Assembly—Contact						x			1
131	6C1	EA-9714	Arm—Contact						x			1
131	6C2	EA-1559-1	Arm—Switch Contact (Special)						x			1
131	6C3	EA-1550	Washer—Spring						x			1
131	6C4	Comm	Eyelet, Waterbury Co. Part No. 9966 (EA-1518)						x			1
131	6C5	EA-1582	Washer						x			1

Section II
Group Assembly Parts List

EO 20-85BA-4

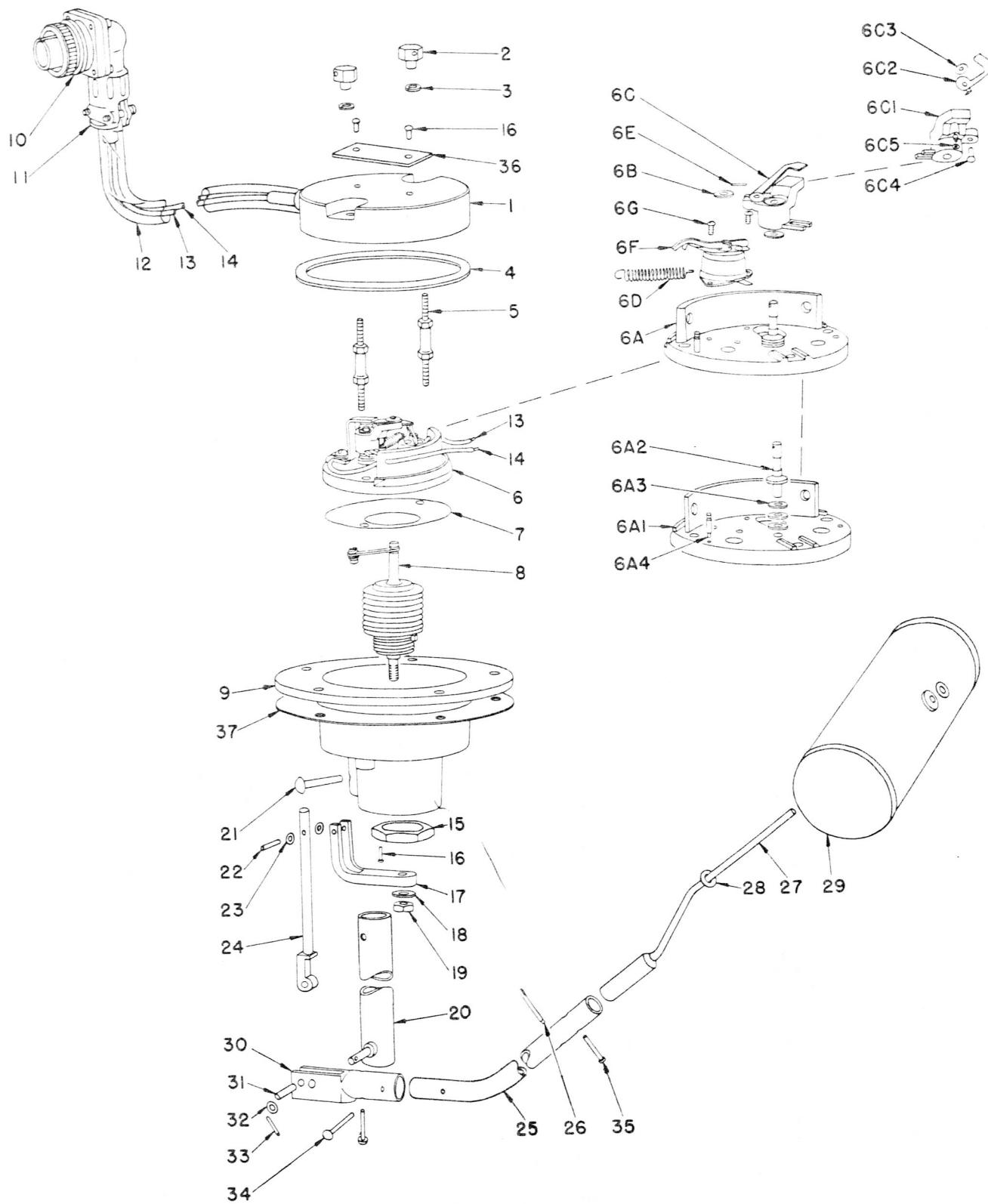


Figure 131—Tank Unit EA-92W

Fig. No.	Index No.	Part No.	Nomenclature	EA-92W-V/S-33330R							Units Per Assy		
				1	2	3	4	5	6	7			
131	6D	EA-1575	Spring										
131	6E	Comm	Pin—Locking (copper) No. 18 B & S ga x 3/8 in. lg (EA-1229)						x				1
131	6F	EA-1508	†Switch Assembly—Warning						x				1
131	6G	AN515B3-3	Screw, RH 3 48 x 3/16 in.						x				1
75	1	EA-6511	Housing and Stem Assembly						x				2
75	1A	EA-1645	Housing Assembly						x				1
76	1	EA-1641	Housing—Warning switch						x				1
76	2	EA-1598	Plate—Stop						x				1
76	3	EA-1556	Spring—Arm return						x				1
76	4	AN430B2-3	Rivet, cut to 1/8 in. lg (EA-1529)						x				1
75	1B	EA-1510	Stem Assembly						x				2
76	5	EA-6510	Stem with contact point						x				1
76	5A	EA-1554	Stem						x				1
76	5B	EA-1567-1	Contact						x				1
76	6	EA-1557	Retainer—Diaphragm						x				1
76	7	EA-1566	Diaphragm						x				1
76	8	Comm	Cord—Waxed, dental floss Johnson and Johnson (EA-7920)						x				1
75	1C	EA-1656	Shaft—Stem										
75	2	EA-1555	Arm—Contact						x				1
75	3	EA-1569	Pin—Contact arm						x				1
75	4	EA-1646	Cover Assembly						x				1
75	4A	EA-1643	Cover						x				1
75	4B	EA-1647-1	Contact						x				1
75	4C	EA-1655	Strip—Connection						x				1
75	4D	Comm	Pin—Bank No. 5 (EA-3924)						x				1
73	11	AN515B3-3	Screw, RH 3 48 x 3/16 in.						x				1
131	7	EA-1583	Pad—Insulating						x				2
131	8	EA-1203	†Seal Assembly—Bellows						x				1
79	1	EA-1445	Bellows						x				1
79	2	EA-6507	Holder Assembly—Bellows						x				1
79	2A	EA-1232	Lever—Bellows						x				1
79	2B	EA-1446	Holder—Bellows						x				1
79	2C	EA-1233	Pin						x				1
79	2D	EA-1274	Pin—Locating						x				1
79	3	EA-1236	Stud—Bearing						x				1
79	4	EA-6503	Link Assembly						x				1
79	4A	EA-1235	Link						x				1
79	4B	EA-1237	Screw						x				1
79	4C	EA-1238	Washer						x				1
79	4D	EA-1239	Nut						x				1
131	9	EA-17811-5-1	Housing						x				1
131	10	AN3108-12A-3P	Plug						x				1
131	11	AN3057-4	Clamp						x				1
131	12	Comm	Hose						x				1
131	13	Comm	Wire—Red, Belden No. 20 Celenese Braid as required (EA-17626)						x				1
131	14	Comm	Lead—Black (copper) B & S ga No. 20 cut as required (EA-1540)						x				1
131	15	EA-1242	Nut										
131	16	AN430-2-4	Rivet						x				1
131	17	EA-1246	Arm						x				1
131	18	AN960B10	Washer						x				1
131	19	AN345B10	Nut, hex.						x				1
131	20	EA-1205-211	Pipe Assembly—Fulcrum						x				1
77	1	EA-1259-211	Pipe—Fulcrum						x				1
77	2	EA-1260	Stud—Fulcrum						x				1
77	3	EA-1591B	Plug—Fulcrum						x				1
131	21	AN430-4-18	Rivet						x				1
131	22	EA-1258	Pin—Operating						x				1
131	23	8227	Washer						x				1
131	24	EA-1289-11	Rod—Operating						x				2
131	25	EA-1252-342	Arm—Float						x				1
131	26	AN380B2-2	Pin—Cotter						x				1
131	27	EA-1255-108A	Fork—Float with bushing						x				1
78	12	EA-1255-108	Fork—Float						x				1
78	14	EA-1254	Bushing						x				1
131	28	EA-1257	Washer						x				2

RESCINDED

Section II
Group Assembly Parts List

Fig. No.	Index No.	Part No.	Nomenclature							EA-92W-VS-33330R	Units Per Assy
			1	2	3	4	5	6	7		
131	29	EA-1256								x	1
78	5	EA-1625								x	1
78	6	EA-1626								x	2
78	7	EA-1280								x	1
78	8	EA-1080								x	1
131	30	EA-8524								x	1
131	31	EA-1245								x	1
131	32	AN960B8								x	1
131	33	Comm								x	1
131	34	Comm								x	2
131	35	8229								x	1
131	36	EA-1278								x	1
131	16	AN430-2-4								x	2
131	37	8262								x	1

Fig. No.	Index No.	Part No.	Nomenclature							EA-177-114477	EA-177-114478	EA-178-110019	EA-178-110020	EA-178-110021	EA-178-110022	Units Per Assy
			1	2	3	4	5	6	7							
132	1	EA-17612								x	x	x	x	x	x	1
132	2	AN340B8								x	x	x	x	x	x	2
132	3	AN935B8								x	x	x	x	x	x	2
132	4	EA-17618								x	x	x	x	x	x	1
132	5	EA-17638								x	x	x	x	x	x	1
132	6	EA-17636								x	x	x	x	x	x	2
132	7	EA-1502-1								x	x					1
142	1	EA-1504-1								x	x					1
141	1	EA-1512								x	x					1
141	2	EA-1521								x	x					1
142	3	Comm								x	x					2
141	4	EA-1516								x	x					1
141	5	EA-1524								x	x					1
141	6	EA-1527								x	x					1
141	7	EA-1522								x	x					3
141	8	EA-1523								x	x					1
141	9	EA-1526								x	x					2
141	10	EA-1576								x	x					1
142	2	EA-1257								x	x					2
142	3	EA-1505								x	x					1
142	3A	EA-1514								x	x					1
142	3B	EA-1658								x	x					1
142	3C	EA-1631								x	x					1
142	3D	EA-1550								x	x					1
142	3E	Comm								x	x					1
142	3F	EA-1582								x	x					1
142	4	EA-1575								x	x					1
142	5	Comm								x	x					1
142	6	EA-1520								x	x					1
142	7	660-51								x	x					1
142	8	AN935B6								x	x					1
142	9	AN520B6-4								x	x					1
132	7	EA-1502-5										x	x	x	x	1

RESCINDED

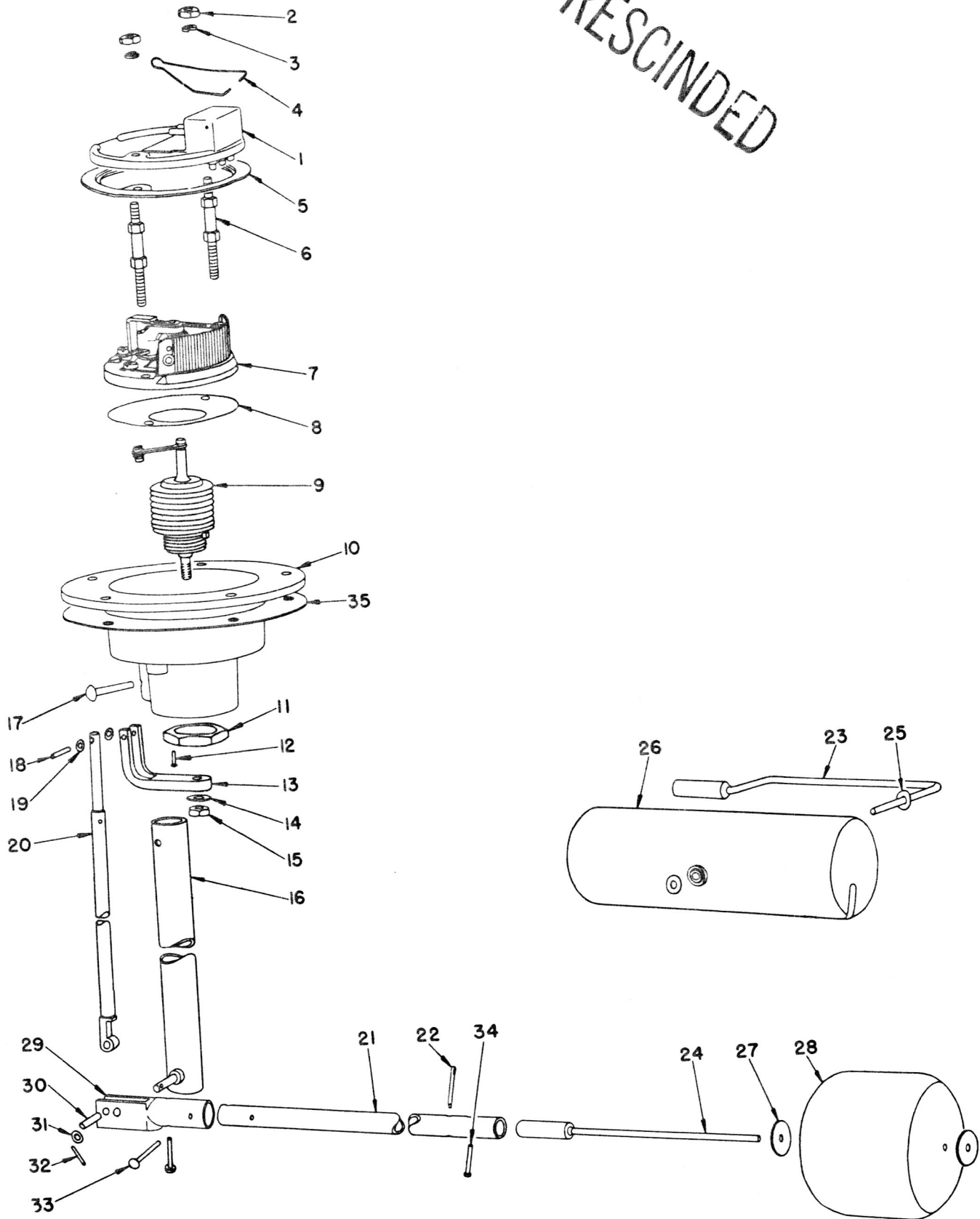


Figure 132—Tank Unit EA-177 and EA-178

RESCINDED

Fig. No.	Index No.	Part No.	Nomenclature							EA-177-114477	EA-177-114478	EA-178-110019	EA-178-110020	EA-178-110021	EA-178-110022	Units Per Assy
			1	2	3	4	5	6	7							
132	20	EA-9901-93										x				1
132	20	EA-9901-96														1
132	20	EA-9901-97														1
77	4	EA-1247														1
77	5	EA-1253-168														1
77	5	EA-1253-193														1
77	5	EA-1253-196														1
77	5	EA-1253-197														1
77	6	EA-8550														1
77	7	AN430D2-6														1
132	21	EA-1252-300														1
132	21	EA-1252-334														1
132	21	EA-1252-335														1
132	21	EA-1252-336														1
132	21	EA-1252-337														1
132	21	EA-1252-340														1
132	21	AN380B2-2														1
132	22	EA-1255-119-2A														1
132	24	EA-1255A														1
132	23	EA-1255-105A														1
132	23	EA-1255-104A														1
132	23	EA-1255-119-2														1
78	13	EA-1255														1
78	12	EA-1255-105														1
78	12	EA-1255-104														1
78	12	EA-1254														2
78	14	EA-1254														1
132	25	EA-1257														1
132	26	EA-1294														1
78	1	EA-1270														2
78	2	EA-1280														1
78	3	EA-1268														2
78	4	EA-1269-1														1
132	27	EA-1536														1
132	28	EA-8526														1
132	29	EA-1245														1
132	30	AN960B8														1
132	31	Comm														2
132	32	Comm														1
132	33	8229														1
132	34	EA-17833														1
132	35															1

Fig. No.	Index No.	Part No.	Nomenclature							EA-191W-162B5785	Units Per Assy	
			1	2	3	4	5	6	7			
133	1	EA-19130									x	1
133	1A	EA-19127									x	1
133	1B	EA-19128									x	1
133	1C	EA-19134									x	2
133	2	AN340B8									x	2
133	3	AN935B8									x	2
133	4	EA-19131									x	1
133	5	EA-1502S-1									x	1
136	1	EA-1504-1									x	1
134	1	EA-1512									x	1
134	2	EA-1521										1

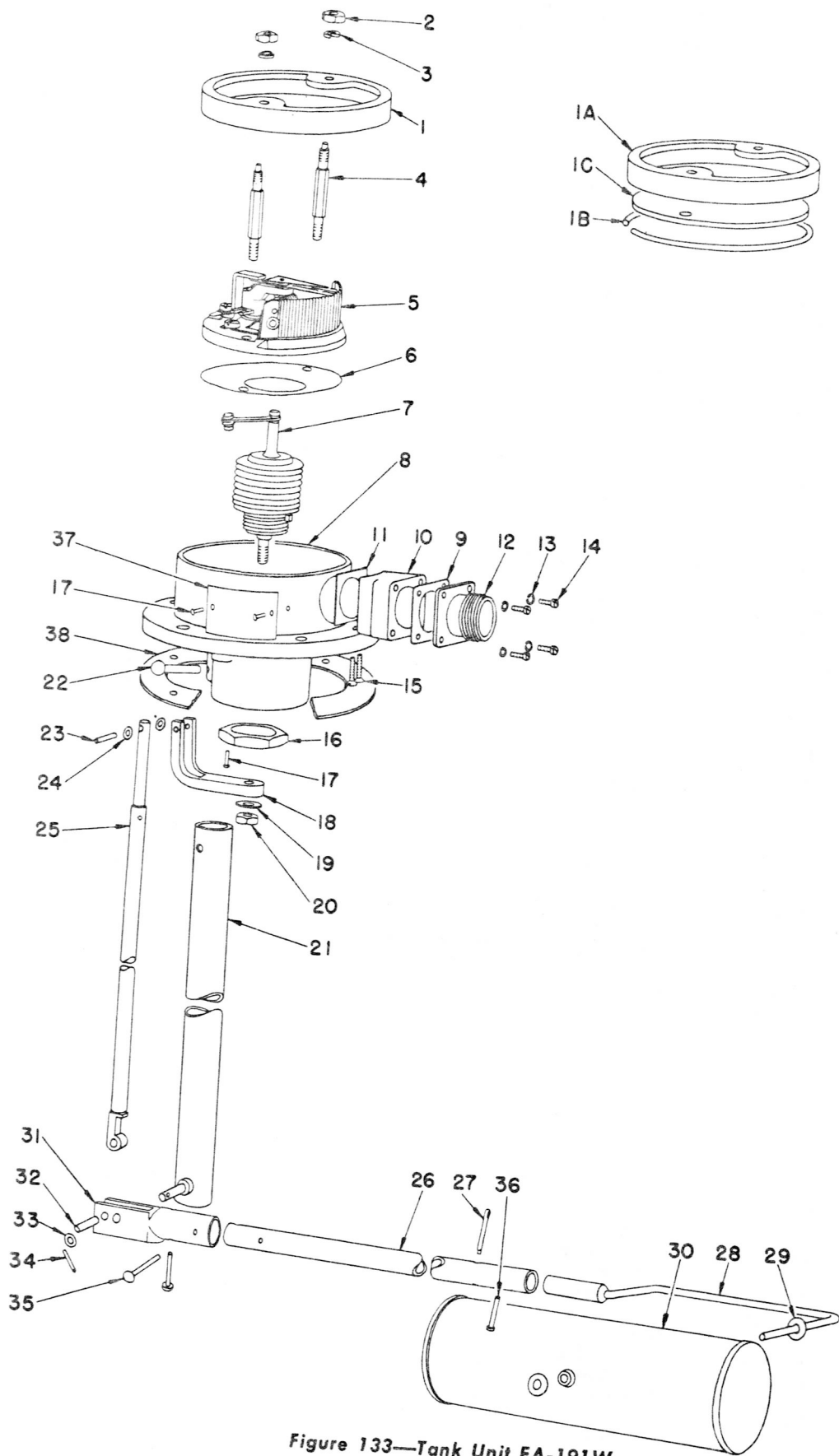


Figure 133—Tank Unit EA-191W

Fig. No.	Index No.	Part No.	Nomenclature	EA-191W-162B5785	Units Per Assy
			1 2 3 4 5 6 7		
134	3	Comm	Eyelet, Stimpson Part No. A-1177 (EA-1548)	x	2
134	4	EA-1516	Shaft	x	1
134	5	EA-1524	Lever—Adjustment R —	x	1
134	6	EA-1527	Lever—Adjustment R +	x	1
134	7	EA-1522	Washer	x	3
134	8	EA-1523	Bushing	x	1
134	9	EA-1526	Eccentric—Adjustment	x	2
134	10	EA-1576	Stud	x	1
136	2	EA-1257	Washer	x	2
136	3	EA-19105S	Arm—Contact and Switch Arm Assembly	x	1
136	3A	EA-1514	Arm—Contact	x	1
136	3B	EA-1658	Shoe—Contact arm	x	1
136	3C	EA-1631	Blade—Contact arm	x	1
136	3D	EA-1550	Washer—Spring	x	1
136	3E	EA-19125	Rivet Stud	x	1
136	3F	EA-1582	Washer	x	1
136	3G	EA-19126	Pointer	x	1
136	3H	Comm	Eyelet, Waterbury Part No. 9966 (EA-1518)	x	1
136	3J	EA-1559	Arm—Switch contact	x	1
136	3K	EA-1550	Washer—Spring	x	1
136	4	EA-1575	Spring	x	1
136	5	Comm	Pin—Locking (copper) No. 18 B & S ga x 3/8 in. lg (EA-1229)	x	1
136	6	EA-1520	Contact—Contact arm	x	1
136	7	660-51	Lug—Solder	x	1
136	8	AN935B6	Washer—Lock	x	1
136	9	AN520B6-4	Screw, RH 6 40 x 1/4 in.	x	1
136	10	EA-1508	†Switch Assembly—Warning	x	1
75	1	EA-6511	Housing and Stem Assembly	x	1
75	1A	EA-1645	Housing Assembly	x	1
76	1	EA-1641	Housing—Warning switch	x	1
76	2	EA-1598	Plate—Stop	x	1
76	3	EA-1556	Spring—Arm return	x	1
76	4	AN430B2-3	Rivet, cut to 1/8 in. lg (EA-1529)	x	2
75	1B	EA-1510	Stem Assembly	x	1
76	5	EA-6510	Stem with contact point	x	1
76	5A	EA-1554	Stem	x	1
76	5B	EA-1567-1	Contact	x	1
76	6	EA-1557	Retainer—Diaphragm	x	1
76	7	EA-1566	Diaphragm	x	1
76	8	Comm	Cord—Waxed, dental floss, Johnson and Johnson (EA-7920)	x	1
75	1C	EA-1656	Shaft—Stem	x	1
75	2	EA-1555	Arm—Contact	x	1
75	3	EA-1569	Pin—Contact arm	x	1
75	4	EA-1646	Cover Assembly	x	1
75	4A	EA-1643	Cover	x	1
75	4B	EA-1647-1	Contact	x	1
75	4C	EA-1655	Strip—Connection	x	1
75	4D	Comm	Pin—Bank No. 5 (EA-3924)	x	1
136	11	AN515B3-4	Screw, RH 3 48 x 1/4 in.	x	1
136	12	EA-1657	Spacer	x	1
136	13	AN515B3-5	Screw, RH 3 48 x 5/16 in.	x	1
133	6	EA-1583	Pad—Insulating	x	1
133	7	EA-1203	†Seal Assembly—Bellows	x	1
79	1	EA-1445	Bellows	x	1
79	2	EA-6507	Holder Assembly—Bellows	x	1
79	2A	EA-1232	Lever—Bellows	x	1
79	2B	EA-1446	Holder—Bellows	x	1
79	2C	EA-1233	Pin	x	1
79	2D	EA-1274	Pin—Locating	x	1
79	3	EA-1236	Stud—Bearing	x	1
79	4	EA-6503	Link Assembly	x	1
79	4A	EA-1235	Link	x	1
79	4B	EA-1237	Screw	x	1
79	4C	EA-1238	Washer	x	1
79	4D	EA-1239	Nut	x	1

RESCINDED

Section II
Group Assembly Parts List

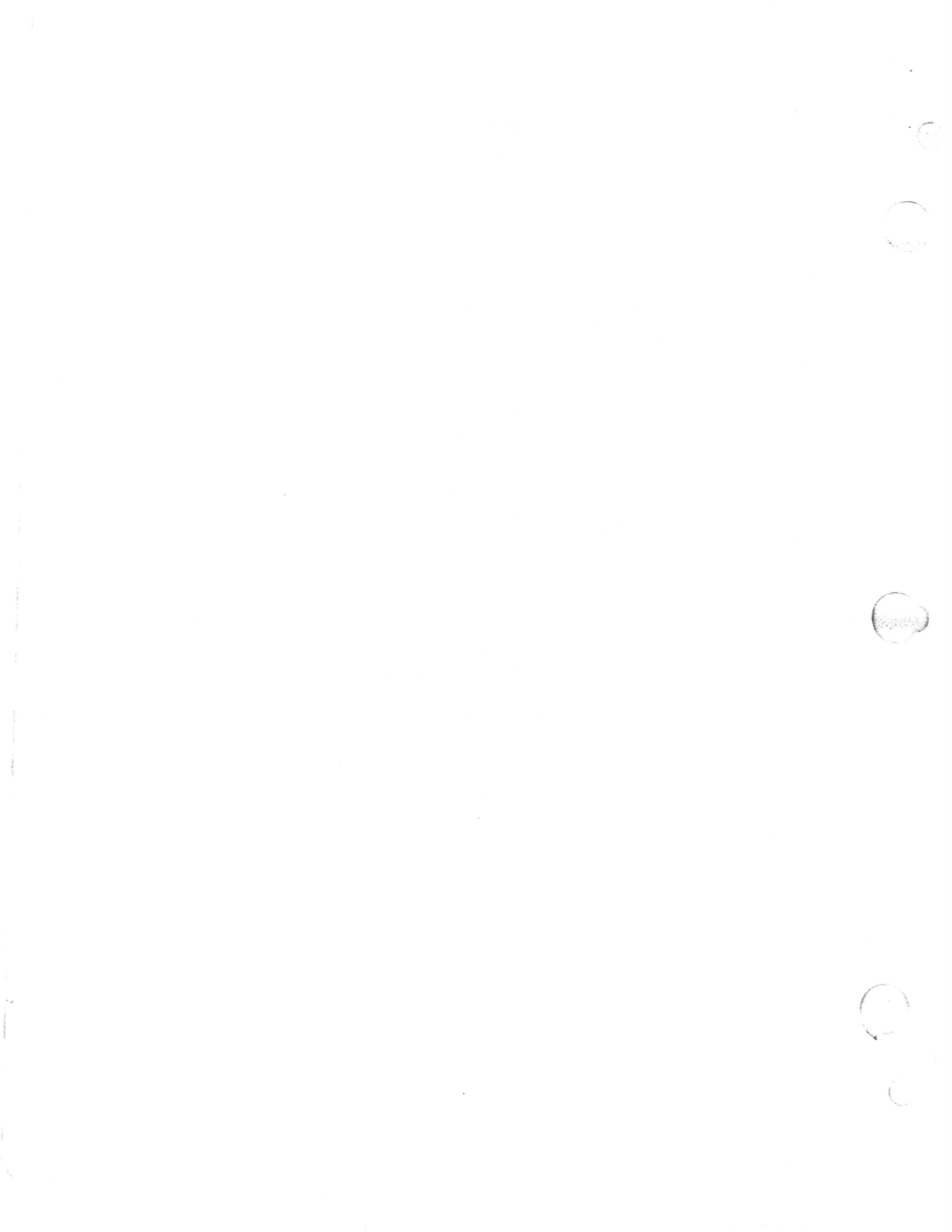
EO 20-85BA-4

Fig. No.	Index No.	Part No.	Nomenclature							EA-191W-162B5785	Units Per Assy		
			1	2	3	4	5	6	7				
133	8	EA-1511-53-1											
133	9	EA-4546-1											
133	10	EA-4542											
133	11	EA-4525											
133	12	AND10066-14S-1P											
133	13	AN935B4											
133	14	AN500B4-5											
133	15	AN505B5-8											
133	16	EA-1242											
133	17	AN430-2-4											
133	18	EA-1246											
133	19	AN960B10											
133	20	AN345B10											
133	21	EA-1205-225											
77	1	EA-1259-225											
77	2	EA-1260											
77	3	EA-1591B											
133	22	AN430-4-18											
133	23	EA-1258											
133	24	8227											
133	25	EA-9901-100											
77	4	EA-1247											
77	5	EA-1253-200											
77	6	EA-8550											
77	7	AN430D2-6											
133	26	EA-1252-344											
133	27	AN380B2-2											
133	28	EA-1255A											
78	12	EA-1255											
78	14	EA-1254											
133	29	EA-1257											
133	30	EA-1294											
78	1	EA-1270											
78	2	EA-1280											
78	3	EA-1268											
78	4	EA-1269-1											
133	31	EA-8526											
133	32	EA-1245											
133	33	AN960B8											
133	34	Comm											
133	35	Comm											
133	36	8229											
133	37	EA-1278											
133	17	AN430-2-4											
133	38	8262											

RESCINDED

Fig. No.	Index No.	Part No.	Nomenclature							EA-191W-1-162B5785C	EA-191W-1-162B5785F	EA-191W-1-162FK5727A	Units Per Assy
			1	2	3	4	5	6	7				
133	1C	EA-19146								x			1
133	1C	EA-19145									x		1
133	1C	EA-19144										x	1
133	5	EA-1502PS-1								x	x	x	1
134	2	EA-1521								x	x	x	1
136	3	EA-10105S								x	x	x	1
133	8	EA-1511-53-20								x	x	x	1
133	9	EA-4546-1								x	x	x	1
133	10	EA-4542								x	x	x	1
133	11	EA-4525								x	x	x	1
133	12	EA-4510A								x	x	x	1
133	21	EA-1205-212								x	x		1
77	1	EA-1259-212								x	x		1
77	2	EA-8560								x	x		1
133	21	EA-1205-202										x	1
77	1	EA-1259-202										x	1
77	2	EA-8560										x	1
133	25	EA-9901-100								x	x		1
133	25	EA-9901-91										x	1
133	26	EA-1252-344								x	x		1
133	26	EA-1252-332										x	1
137	31	EA-1294								x	x	x	1
133	38	8262D								x	x	x	1
115	46	EA-6592								x	x	x	1
115	47	EA-6593								x	x	x	1
115	48	EA-6555								x	x	x	1
115	49	AN430-4-5								x	x	x	4
115	50	AN935B10								x	x	x	2
115	51	AN340B10								x	x	x	2
115	52	Comm.								x	x	x	2

ALL OTHER PARTS TO COMPLETE TANK
UNIT FOUND ON FIGURE 133



RESCINDED

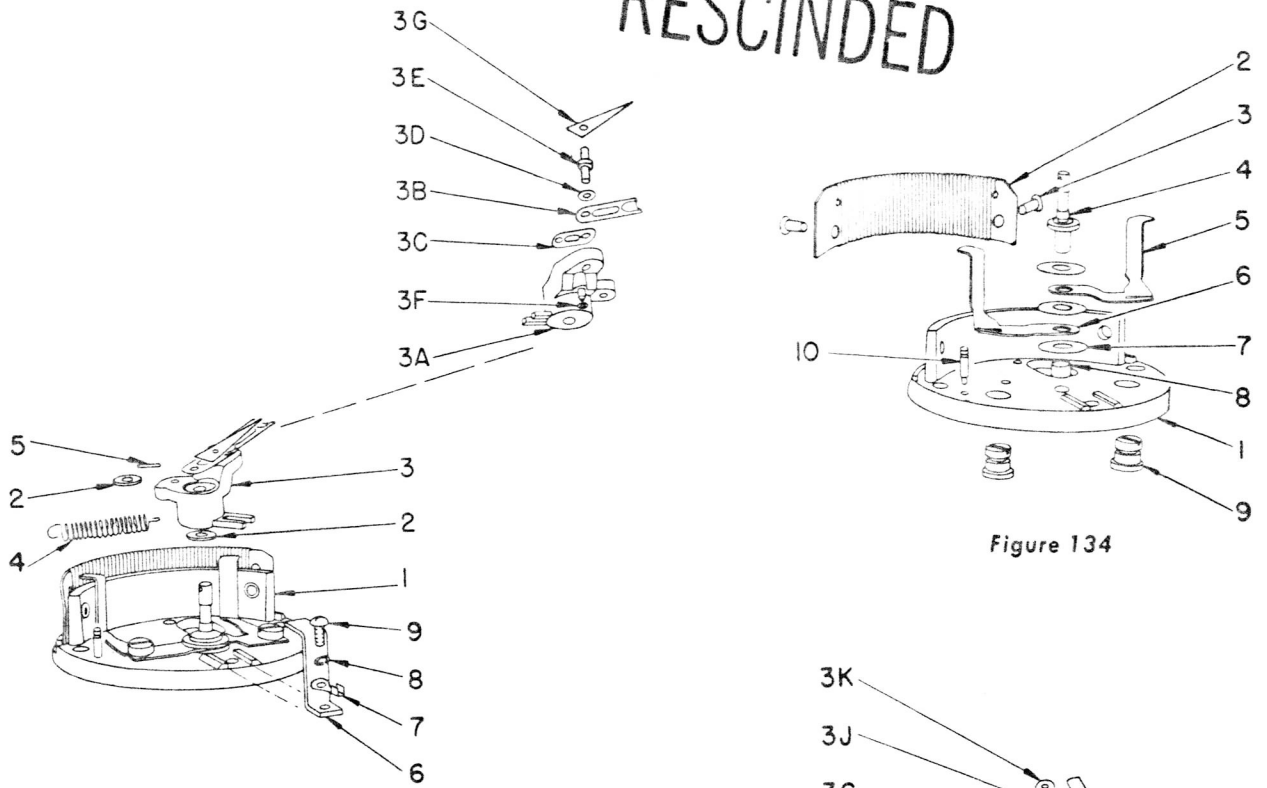


Figure 135

Figure 134

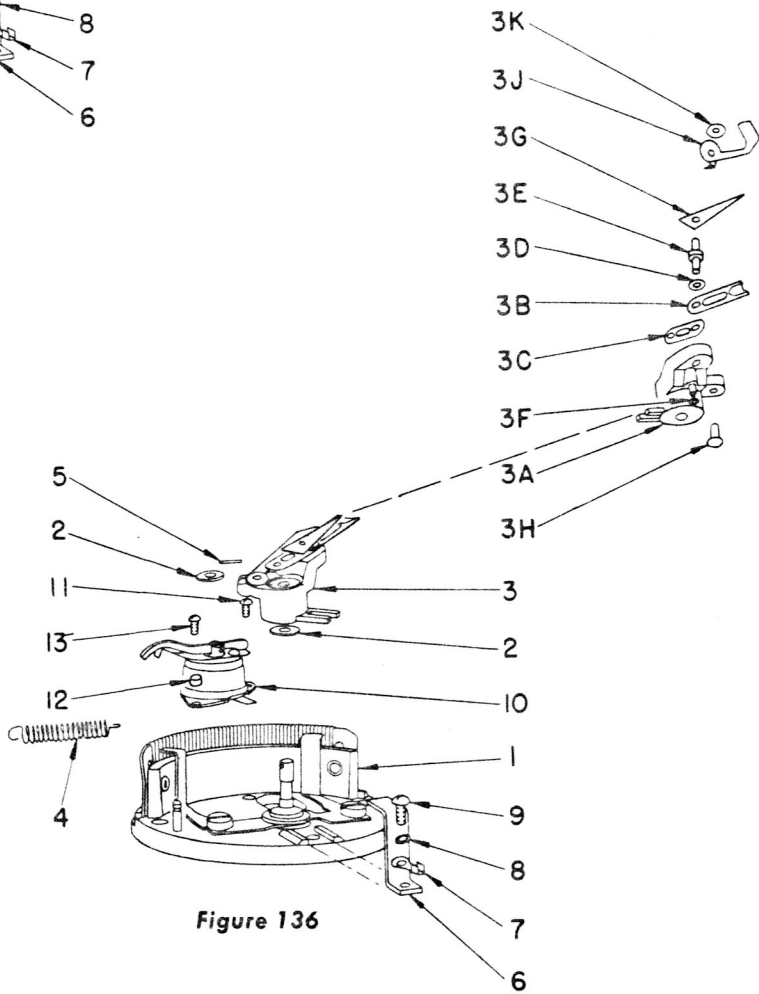


Figure 136

POTENTIOMETER WITH POINTER

Section II
Group Assembly Parts List

EO 20-85BA-4

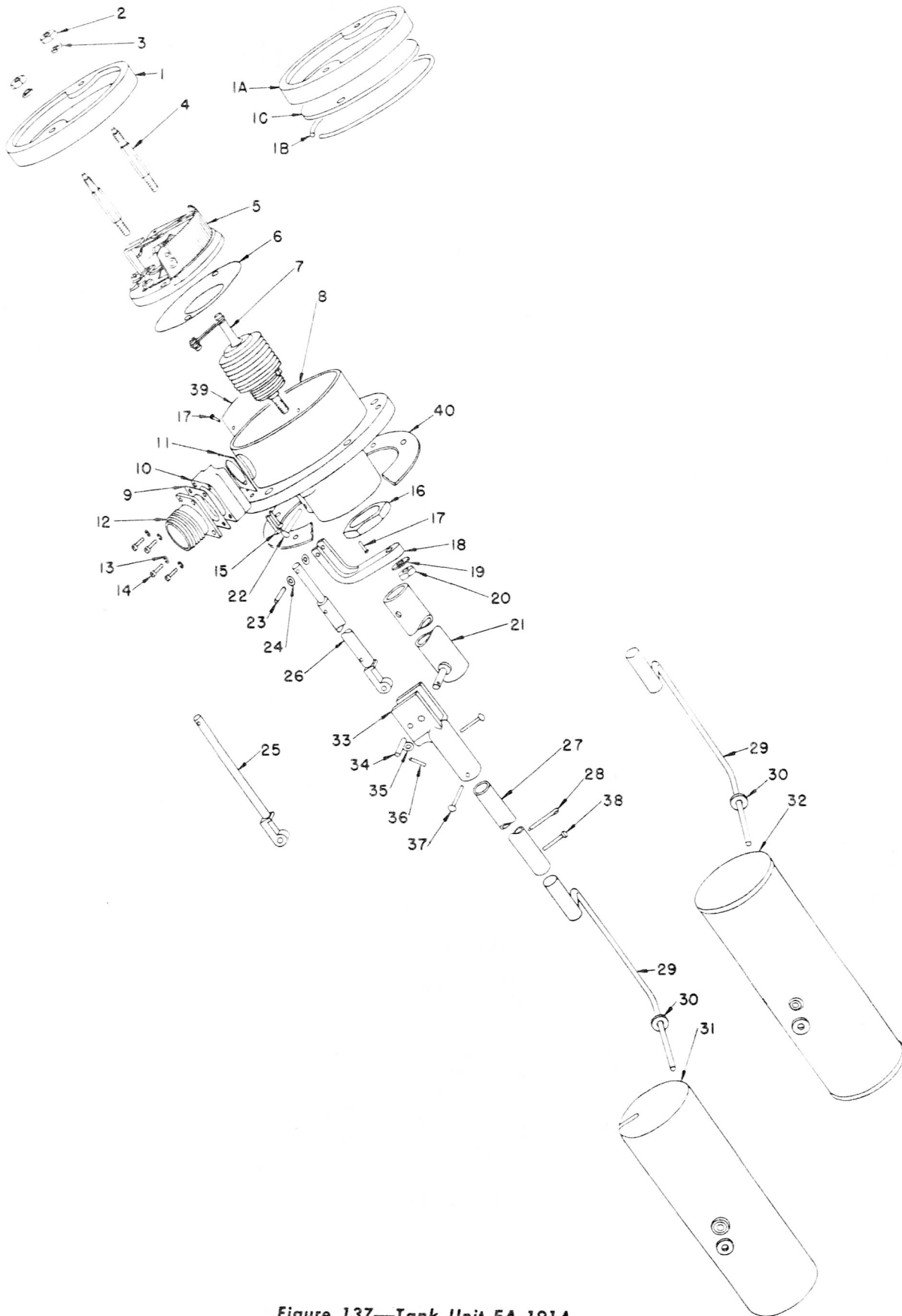
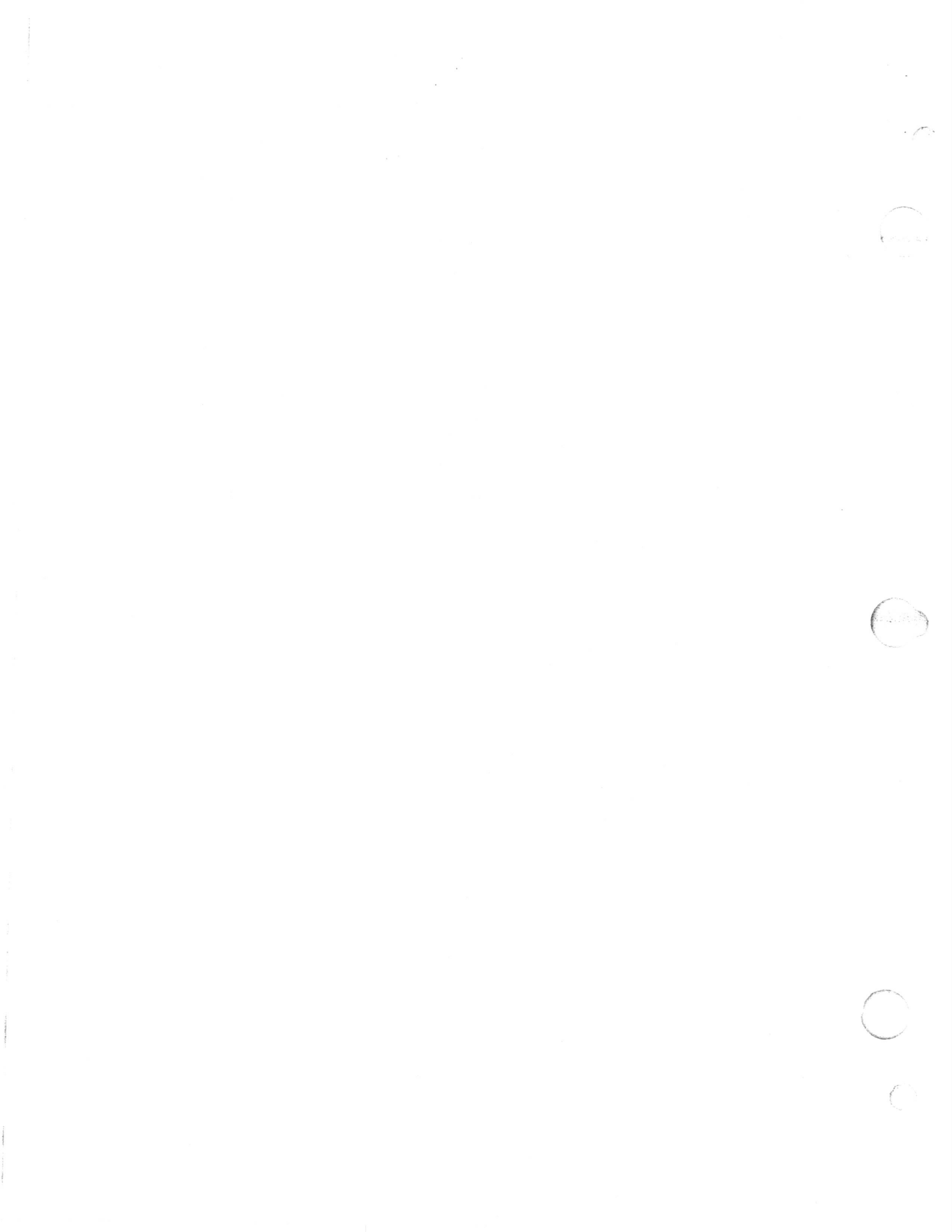


Figure 137—Tank Unit EA-191A

Fig. No.	Index No.	Part No.	Nomenclature							Units Per Assy	
			1	2	3	4	5	6	7		
137		EA-290-170A-K-5501									1
137	1C	EA-19147									1
137	5	EA-1502P-5									1
134	2	EA-1521									1
135	3	EA-19105									1
137	8	EA-8511-51-1									1
137	21	EA-1205-253									1
77	1	EA-1259-253									1
77	2	EA-8560									1
137	26	EA-9901-128									1
137	27	EA-1252-204									1
143	37	EA-1255-119-1A									1
143	39	EA-1536									1
137	33	EA-8526									1
137	39	EA-1379									1
137	40	EA-8527									1
115	46	EA-6592									1
115	47	EA-6593									1
115	48	EA-6555									1
115	49	AN430-4-5									2
115	50	AN935B10									2
115	51	AN340B10									2
115	52	Comm.									2

ALL OTHER PARTS TO COMPLETE TANK UNIT FOUND ON
FIGURE 137

RESCINDED



20-85BA-4
RESCINDED

Section II
Group Assembly Parts List

Fig. No.	Index No.	Part No.	Nominal Qty	EA-191A-743		EA-191A-F263661		Units Per Assy		
				1	2	3	4		5	6
				Tank Unit Assembly						
				Cover Assembly						
137	1	EA-19130							1	
137	1A	EA-19127							1	
137	1B	EA-19128							1	
137	1C	EA-19132							1	
137	2	AN340B8							2	
137	3	AN935B8							2	
137	4	EA-19131							2	
137	5	EA-1502-1							1	
135	1	EA-1504-1							1	
134	1	EA-1512							1	
134	2	EA-1521							1	
134	3	Comm							2	
134	4	EA-1516							1	
134	5	EA-1524							1	
134	6	EA-1527							1	
134	7	EA-1522							3	
134	8	EA-1523							1	
134	9	EA-1526							2	
134	10	EA-1576							1	
135	2	EA-1257							2	
135	3	EA-1505							1	
135	3A	EA-1514							1	
135	3B	EA-1658							1	
135	3C	EA-1631							1	
135	3D	EA-1550							1	
135	3E	EA-19125							1	
135	3F	EA-1582							1	
135	3G	EA-19126							1	
135	4	EA-1575							1	
135	5	Comm							1	
135	6	EA-1520							1	
135	7	660-51							1	
135	8	AN935B6							1	
135	9	AN520B6-4							1	
137	6	EA-1583							1	
137	7	EA-1203							1	
79	1	EA-1445							1	
79	2	EA-6507							1	
79	2A	EA-1232							1	
79	2B	EA-1446							1	
79	2C	EA-1233							1	
79	2D	EA-1274							1	
79	3	EA-1236							1	
79	4	EA-6503							1	
79	4A	EA-1235							1	
79	4B	EA-1237							1	
79	4C	EA-1238							1	
79	4D	EA-1239							1	
137	8	EA-1511-51-1							1	
137	8	EA-1511-51-3							1	
137	9	EA-4546-1							1	
137	10	EA-4542							1	
137	10	EA-1546							1	
137	11	EA-4525							1	
137	12	AND10066-14S-1P							1	
137	12	E-1003-3-20							1	
137	13	AN935B4							4	
137	14	AN500B4-5							4	
137	15	AN505B5-8							2	
137	16	EA-1242							1	
137	17	AN430-2-4							1	
137	18	EA-1246							1	
137	19	AN960B10							1	
137	20	AN345B10							1	
137	21	EA-1205-226							1	
137	21	EA-1205-127							1	
77	1	EA-1259-226							1	

Section II
Group Assembly Parts List

EO 20-85BA-4

Fig. No.	Index No.	Part No.	Nomenclature							EA-191A-743	EA-191A-F263661	Units Per Assy
			1	2	3	4	5	6	7			
77	1	EA-1259-127										
77	2	EA-1260								x		1
77	3	EA-1591B							x	x		1
137	22	AN430-4-18							x	x		1
137	23	EA-1258							x	x		1
137	24	8227							x	x		1
137	25	EA-1289-5							x	x		2
137	26	EA-9901-33								x		1
77	4	EA-1247							x			1
77	5	EA-1253-133							x			1
77	6	EA-8550							x			1
77	7	AN430D2-6							x			1
137	27	EA-1252-373							x			2
137	27	EA-1252-242							x			1
137	28	AN380B2-2								x		1
137	29	EA-1255A							x	x		1
78	12	EA-1255							x	x		1
78	14	EA-1254							x	x		1
137	30	EA-1257							x	x		1
137	31	EA-1294							x	x		2
78	1	EA-1270							x			1
78	2	EA-1280							x			1
78	3	EA-1268							x			1
78	4	EA-1269-1							x			2
137	32	EA-1256							x			1
78	5	EA-1625								x		1
78	6	EA-1626								x		1
78	7	EA-1280								x		2
78	8	EA-1080								x		1
137	33	EA-8523								x		1
137	33	EA-8525							x			1
137	34	EA-1245								x		1
137	35	AN960B8							x	x		1
137	36	Comm							x	x		1
137	37	Comm							x	x		2
137	38	8229							x			1
137	39	EA-1278							x			1
137	17	AN430-2-4							x	x		1
137	40	8262							x	x		2
									x			1



Fig. No.	Index No.	Part No.	Nomenclature							EA-202A-120557	EA-203A-120585	EA-202A-121404	EA-203A-120558	Units Per Assy
			1	2	3	4	5	6	7					
138	1	EA-1525A												
138	2	AN340B8							x	x	x	x		1
138	3	AN935B8							x	x	x	x		2
138	4	EA-1542							x	x	x	x		2
138	4	EA-1542							x	x				1
138	5	EA-1502-6								x		x		2
140	1	EA-1504-6							x		x			1
139	1	EA-1512-1							x		x			1
139	2	EA-1521-1							x		x			1
139	3	Comm							x		x			1
139	4	EA-1516							x		x			2
139	5	EA-8626							x		x			1
									x		x			1

RESCINDED

Fig. No.	Index No.	Part No.	Nomenclature								Units Per Assy		
				1	2	3	4	5	6	7			
137			Tank Unit										
137	1C	EA-19139	Dial	x	x								1
137	1C	EA-19148	Dial			x	x	x	x	x	x		1
137	5	EA-1502P-5	Potentiometer (see Figs. 118, 134 & 135)	x	x								1
134	2	EA-1521	Resistor	x	x								1
135	3	EA-19105	Arm Assembly—Contact (in place of 118-3)	x	x								1
137	5	EA-1502PS-5	Potentiometer (see Figs. 119, 134 & 136)			x	x	x	x	x	x		1
134	2	EA-1521	Resistor			x	x	x	x	x	x		1
136	3	EA-19105S	Arm Assembly—Contact (in place of 119-3)			x	x	x	x	x	x		1
137	8	EA-1511-103-1	Housing	x	x								1
137	8	EA-1511-54-1	Housing						x	x	x		1
137	8	EA-1511-55-1	Housing										1
137	9	EA-4546-1	Gasket	x	x	x	x	x	x	x	x	x	1
137	10	EA-4542	Block—Mounting	x	x	x	x	x	x	x	x	x	1
137	11	EA-4525	Gasket	x	x	x	x	x	x	x	x	x	1
137	12	EA-4510A	Receptacle	x	x								1
137	12	EA-4507A	Receptacle			x	x	x	x	x	x		1
137	21	EA-1205-113	Pipe Assembly—Fulcrum	x	x								1
137	21	EA-1205-252	Pipe Assembly—Fulcrum			x	x	x	x	x	x		1
137	25	EA-8589	Rod Assembly—Operating	x	x								1
137	26	EA-9901-127	Rod Assembly—Operating			x	x	x	x	x	x		1
137	27	EA-1252-433	Arm—Float	x									1
137	27	EA-1252-248	Arm—Float		x								1
137	27	EA-1252-436	Arm—Float			x			x				1
137	27	EA-1252-304	Arm—Float					x			x		1
137	27	EA-1252-437	Arm—Float						x			x	1
137	29	EA-1255A	Fork—Float with Bushing	x	x								1
130	31	EA-1255-119-1A	Fork—Float with Bushing			x	x	x	x	x	x	x	1
137	31	EA-1294	Float Assembly	x	x								1
130	33	EA-1536	Float			x	x	x	x	x	x		1
137	33	EA-8523	Fulcrum	x	x								1
137	33	EA-8526	Fulcrum			x	x	x	x	x	x		1
137	40	8262F	Gasket	x	x								1
137	40	8262D	Gasket			x	x	x	x	x	x		1

ALL OTHER PARTS TO COMPLETE TANK
UNIT ARE FOUND ON FIGURE 137

Section II
Group Assembly Parts List

EO 20-85BA-4

Fig. No.	Index No.	Part Number	Nomenclature				Units Per Assy.
			1	2	3	4	
		EA-190W-354	TANK UNIT				
137	1	EA-19130-2	Cover Assembly				1
137	1A	EA-19127	Cover				1
137	1B	EA-19128	Snap-Ring				1
137	1C	EA-19129-2	Dial				1
137	5	EA-1502PS-5	Potentiometer				1
134	2	EA-1521-4	Resistor				1
135	3	EA-19105S	Arm Assembly-Contact				1
137	8	EA-1511-53-20	Housing				1
137	11	EA-4525	Gasket				1
137	10	EA-56542-1	Block-Mounting				1
137	9	EA-4546-1	Gasket				1
137	12	EA-4507A	Receptacle				1
137	21	EA-1205-212	Pipe Assembly-Fulcrum				1
137	26	EA-9901-100	Rod Assembly-Operating				1
137	27	EA-1252-344	Arm-Float				1
137	29	EA-1255A	Fork-Float with Bushing				1
137	31	EA-1294	Float				1
137	33	EA-8526	Fulcrum				1
137	40	8262D	Gasket				1
115	46	EA-6592	Clamp-Float Stop				1
115	47	EA-6593	Bracket-Float Stop				1
115	48	EA-6555	Arm Assembly-Float Stop				1
115	49	AN430-4-5	Rivet				1
115	50	AN935B10	Lockwasher				4
115	51	AN340B10	Nut				2
115	52	Comm.	Screw-Binding H. 10-32 x 1/2 inch				2

ALL OTHER PARTS TO COMPLETE TANK UNIT
FOUND ON FIGURE 137

RESCINDED

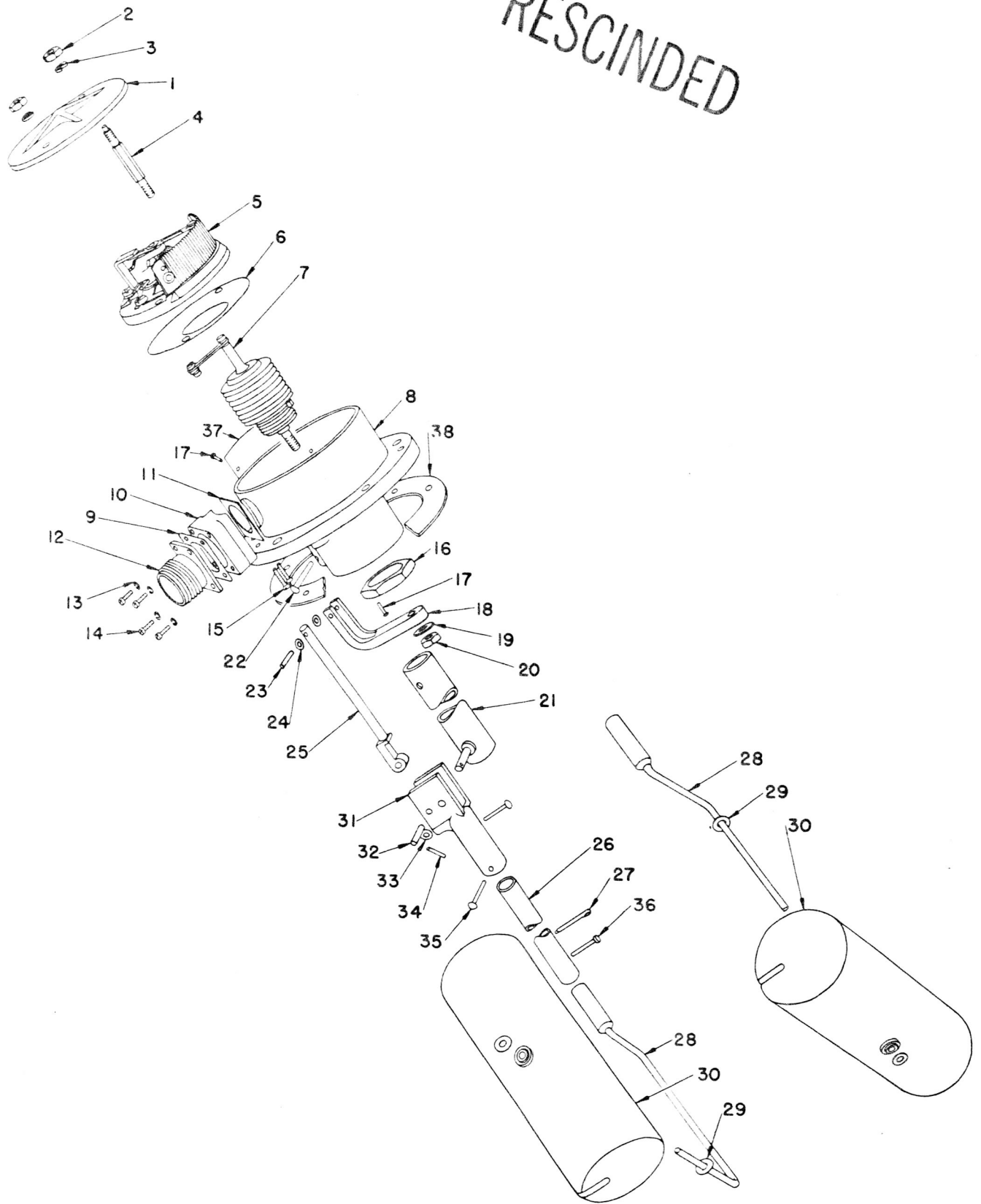


Figure 138—Tank Unit EA-202A and EA-203A

Section II
Group Assembly Parts List

EO 20-85BA-4

Fig. No.	Index No.	Part No.	Nomenclature	1	2	3	4	5	6	7	EA-202A-120557	EA-203A-120585	EA-202A-121404	EA-203A-120558	Units Per Assy
139	6	EA-1527	Lever—Adjustment R +								x				1
139	7	EA-1522	Washer								x		x		1
139	8	EA-1523	Bushing								x		x		3
139	9	EA-1526	Eccentric—Adjustment								x		x		1
139	10	EA-1576	Stud								x		x		2
139	11	EA-8624	Stud—Cover								x		x		1
139	12	EA-8625	Washer—Cover stud								x		x		1
139	13	EA-8628	Switch Assembly—Transfer								x		x		1
139	13A	EA-8622	Lifter								x		x		1
139	13B	EA-1526	Eccentric—Adjustment								x		x		1
139	13C	EA-8623	Base—Transfer switch								x		x		1
139	13D	EA-8627	Nut—Special								x		x		1
139	13E	AN960B3	Washer								x		x		1
139	13F	AN935B4	Washer—Lock								x		x		1
139	13G	AN515B3-6	Screw, RH 3 48 x 3/8 in.								x		x		1
140	2	EA-1257	Washer								x		x		1
140	3	EA-1505	Arm Assembly—Contact								x		x		2
142	3A	EA-1514	Arm—Contact								x		x		1
142	3B	EA-1658	Shoe—Contact arm								x		x		1
142	3C	EA-1631	Blade—Contact arm								x		x		1
142	3D	EA-1550	Washer—Spring								x		x		1
142	3E	Comm	Eyelet, Waterbury Co. Part No. 9966 (EA-1518)								x		x		1
142	3F	EA-1582	Washer								x		x		1
140	4	EA-1575	Spring								x		x		1
140	5	Comm	Pin—Locking (copper) No. 18 B & S ga x 3/8 in. lg (EA-1229)								x		x		1
140	6	EA-1520	Contact—Contact arm								x		x		1
140	7	660-51	Lug—Solder								x		x		1
140	8	AN935B6	Washer—Lock								x		x		1
140	9	AN520B6-4	Screw, RH 6 40 x 1/4 in.								x		x		1
138	5	EA-1502-24	Potentiometer Assembly								x		x		1
142	1	EA-1504-24	Base Assembly—Potentiometer								x		x		1
141	1	EA-1512	Base								x		x		1
141	2	EA-17621	Resistor								x		x		1
141	3	Comm	Eyelet, Stimpson Co. Part No. A-1177 (EA-1548)								x		x		2
141	4	EA-1516	Shaft								x		x		1
141	5	EA-1524	Lever—Adjustment R -								x		x		1
141	6	EA-1527	Lever—Adjustment R +								x		x		1
141	7	EA-1522	Washer								x		x		1
141	8	EA-1523	Bushing								x		x		3
141	9	EA-1526	Eccentric—Adjustment								x		x		1
141	10	EA-1576	Stud								x		x		2
142	2	EA-1257	Washer								x		x		1
142	3	EA-1505	Arm Assembly—Contact								x		x		2
142	3A	EA-1514	Arm—Contact								x		x		1
142	3B	EA-1658	Shoe—Contact arm								x		x		1
142	3C	EA-1631	Blade—Contact arm								x		x		1
142	3D	EA-1550	Washer—Spring								x		x		1
142	3E	Comm	Eyelet, Waterbury Co. Part No. 9966 (EA-1518)								x		x		1
142	3F	EA-1582	Washer								x		x		1
142	4	EA-1575	Spring								x		x		1
142	5	Comm	Pin—Locking (copper) No. 18 B & S ga x 3/8 in. lg (EA-1229)								x		x		1
142	6	EA-1520	Contact—Contact arm								x		x		1
142	7	660-51	Lug—Solder								x		x		1
142	8	AN935B6	Washer—Lock								x		x		1
142	9	AN520B6-4	Screw, RH 6 40 x 1/4 in.								x		x		1
138	6	EA-1583	Pad—Insulating								x		x		1
138	7	EA-1203	+Seal Assembly—Bellows							x	x		x		1
79	1	EA-1445	Bellows							x	x		x		1
79	2	EA-6507	Holder Assembly—Bellows							x	x		x		1
79	2A	EA-1232	Lever—Bellows							x	x		x		1

RESCINDED

Fig. No.	Index No.	Part No.	Nomenclature							E.A-202A-120557	E.A-203A-120585	E.A-202A-121404	E.A-203A-120558	Units Per Assy
			1	2	3	4	5	6	7					
79	2B	EA-1446							x	x	x	x	1	
79	2C	EA-1233							x	x	x	x	1	
79	2D	EA-1274							x	x	x	x	1	
79	3	EA-1236							x	x	x	x	1	
79	4	EA-6503							x	x	x	x	1	
79	4A	EA-1235							x	x	x	x	1	
79	4B	EA-1237							x	x	x	x	1	
79	4C	EA-1238							x	x	x	x	1	
79	4D	EA-1239							x	x	x	x	1	
138	8	EA-8511-815-1							x	x			1	
138	8	EA-8511-815-2									x	x	1	
138	8	EA-8511-816-2											1	
138	9	EA-4546-1							x		x		1	
138	9	EA-4546-2							x		x		1	
138	10	EA-4542							x		x		1	
138	10	EA-4543							x		x		1	
138	11	EA-4525							x		x		1	
138	12	AND10066-12S-3P							x		x		1	
138	12	AND10066-14S-2P							x		x		4	
138	13	AN935B4							x		x		4	
138	14	AN500B4-5							x		x		2	
138	15	AN505B5-8							x		x		1	
138	16	EA-1242							x		x		1	
138	17	AN430-2-4							x		x		1	
138	18	EA-1246							x		x		1	
138	19	AN960B10							x		x		1	
138	20	AN345B10							x		x		1	
138	21	EA-1205-127							x		x		1	
138	21	EA-1205-113							x		x		1	
77	1	EA-1259-127							x		x		1	
77	1	EA-1259-113							x		x		1	
77	2	EA-1260							x		x		1	
77	3	EA-1591B							x		x		1	
138	22	AN430-4-18							x		x		1	
138	23	EA-1258							x		x		2	
138	24	8227							x		x		1	
138	25	EA-1289-5							x		x		1	
138	25	EA-8589								x		x	1	
138	26	EA-1252-369								x		x	1	
138	26	EA-1252-370							x				1	
138	26	EA-1252-371								x			1	
138	27	AN380B2-2							x		x		1	
138	28	EA-1255A							x		x		1	
138	28	EA-1255-2A								x		x	1	
78	12	EA-1255							x		x		1	
78	12	EA-1255-2								x		x	1	
78	14	EA-1254							x		x		2	
138	29	EA-1257							x		x		1	
138	30	EA-1294							x		x		1	
78	1	EA-1270							x		x		1	
78	2	EA-1280							x		x		2	
78	3	EA-1268							x		x		1	
78	4	EA-1269-1							x		x		1	
138	31	EA-8523							x		x		1	
138	31	EA-8525								x		x	1	
138	32	EA-1245							x		x		1	
138	33	AN960B8							x		x		1	
138	34	Comm							x		x		2	
138	35	Comm							x		x		1	
138	36	8229							x		x		1	
138	37	EA-1278							x		x		2	
138	17	AN430-2-4							x		x		1	
138	38	8262							x		x		1	

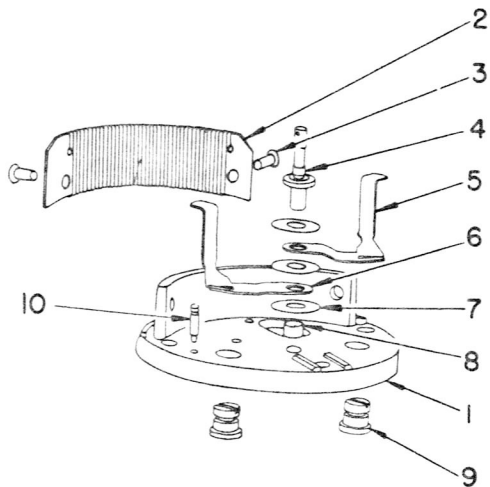


Figure 141

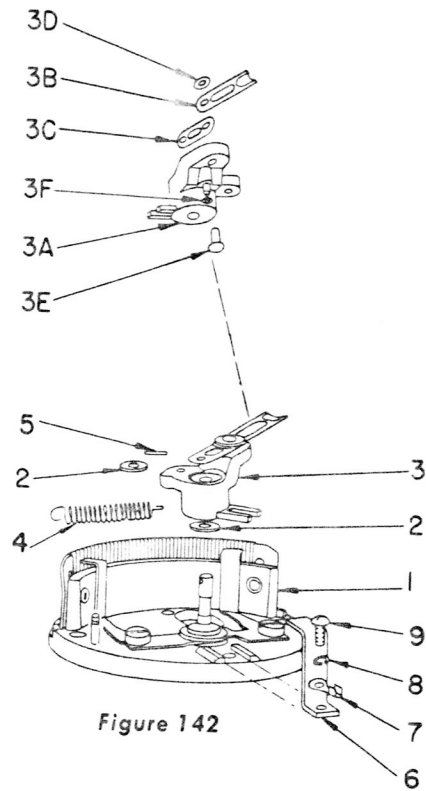


Figure 142

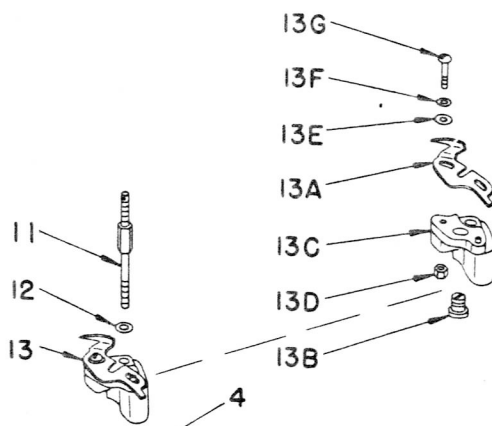


Figure 139

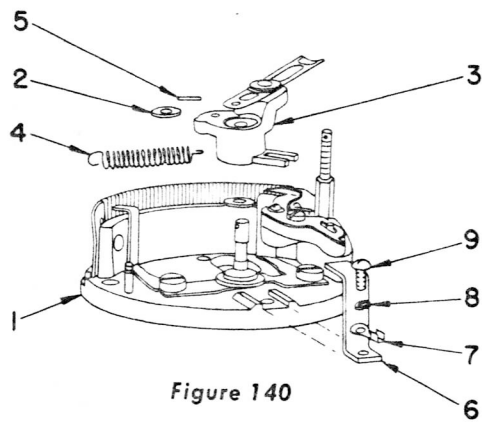


Figure 140

POTENTIOMETER

RESCINDED

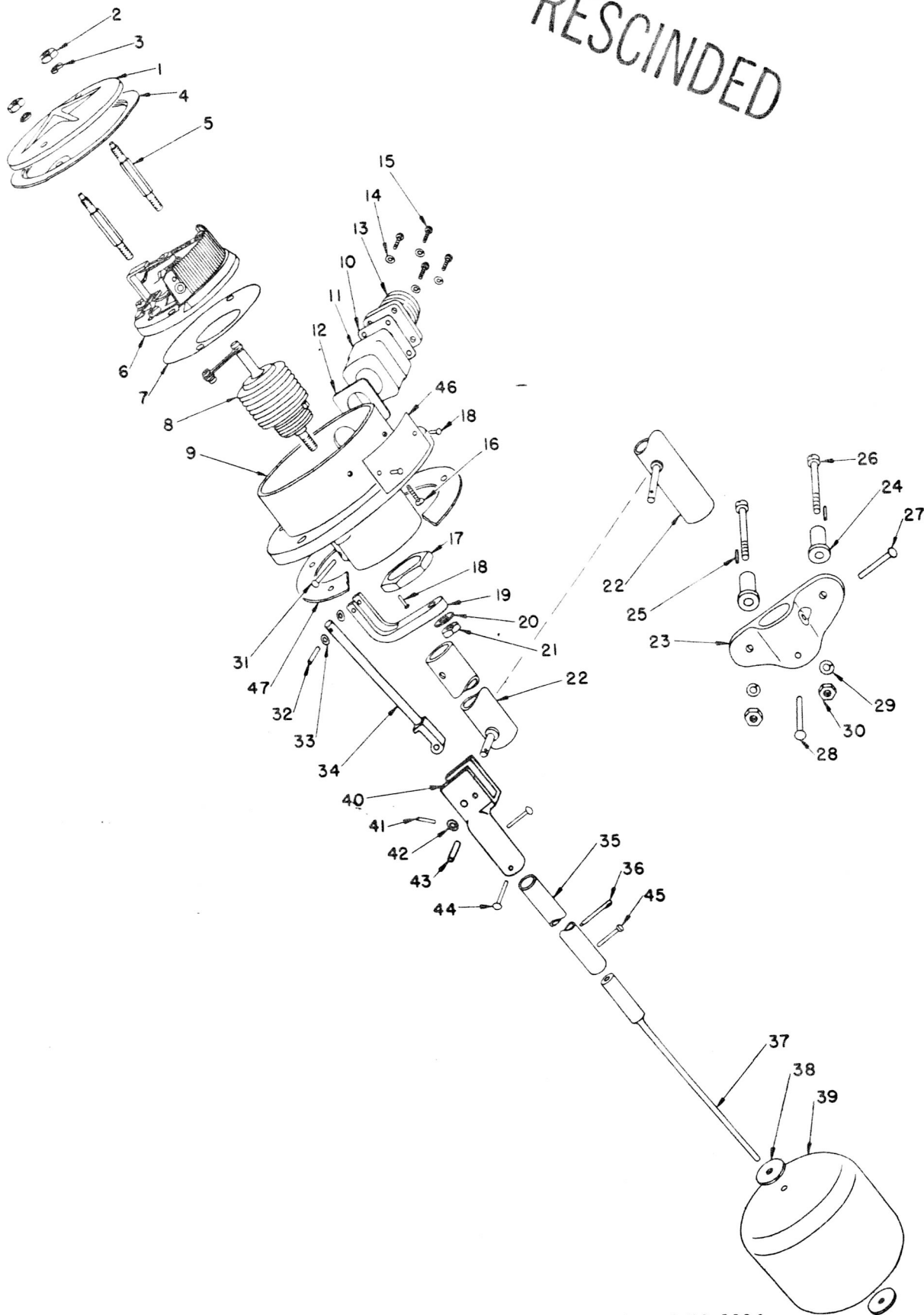


Figure 143—Tank Unit EA-206A EA-207A and EA-208A

Section II
Group Assembly Parts List

EO 20-85BA-4

Fig. No.	Index No.	Part No.	Nomenclature					Units Per Assy		
				EA-206A-4178896-2	EA-207A-4178896-4	EA-208A-4178896-6	EA-208A-4178896-7			
			1	2	3	4	5	6	7	
			Tank Unit Assembly							
143	1	EA-1525A	Cover—Housing	x	x	x	x			1
143	2	AN340B8	Nut	x	x	x	x			2
143	3	AN935-B8	Washer—Lock	x	x	x	x			2
143	4	EA-17638	Gasket	x	x	x	x			1
143	5	EA-1542	Stud	x	x					1
143	5	EA-1542	Stud	x	x					1
143	6	EA-1502-16	Potentiometer Assembly			x		x		2
			(Used on EA-206A)	x						1
143	6	EA-1502-17	Potentiometer Assembly		x					1
			(Used on EA-207A)							
127	1	EA-1504-16	Base Assembly—Potentiometer	x						
			(Used with EA-1502-16)							
127	1	EA-1504-17	Base Assembly—Potentiometer		x					1
			(Used with EA-1502-17)							
126	1	EA-1512-3	Base	x	x					1
126	2	EA-8521-3	Resistor	x						1
126	2	EA-8722-1	Resistor		x					1
126	3	EA-6522	Support		x					1
126	4	AN510B-3	Screw, FH 3 56 x 3/16 in.	x	x					2
126	5	EA-1516	Shaft	x	x					2
126	6	EA-8626	Lever—Adjustment R —	x	x					1
126	7	EA-1527	Lever—Adjustment R +	x	x					1
126	8	EA-1522	Washer	x	x					1
126	9	EA-1523	Bushing	x	x					3
126	10	EA-1526	Eccentric—Adjustment	x	x					1
126	11	EA-1576	Stud	x	x					2
126	12	Comm	Lead, Lenz Mfg. Co. (EA-6526)	x	x					1
126	13	EA-8624	Stud—Cover	x	x					1
126	14	EA-8625	Washer—Cover stud	x	x					1
126	15	EA-8628	Switch Assembly—Transfer	x	x					1
126	15A	EA-8622	Lifter	x	x					1
126	15B	EA-1526	Eccentric—Adjustment	x	x					1
126	15C	EA-8623	Base—Transfer switch	x	x					1
126	15D	EA-8627	Nut—Special	x	x					1
126	15E	EA960B3	Washer	x	x					1
126	15F	AN935B4	Washer—Lock	x	x					1
126	15G	AN515B3-6	Screw, RH 3 48 x 3/8 in.	x	x					1
127	2	EA-1257	Washer	x	x					1
127	3	EA-1505	Arm—Assembly	x	x					2
129	3A	EA-1514	Arm—Contact	x	x					1
129	3B	EA-1658	Shoe—Contact arm	x	x					1
129	3C	EA-1631	Blade—Contact arm	x	x					1
129	3D	EA-1550	Washer—Spring	x	x					1
129	3E	Comm	Eyelet, Waterbury Co. Part No. 9966 (EA-1518)	x	x					1
129	3F	EA-1582	Washer	x	x					1
127	4	EA-1575	Spring	x	x					1
127	5	Comm	Pin—Locking (copper) No. 18 B & S ga x 3/8 in lg (EA-1229)	x	x					1
127	6	EA-1520	Contact—Contact	x	x					1
127	7	660-51	Lug—Solder	x	x					1
127	8	AN935B6	Washer—Lock	x	x					1
127	9	AN520B6-4	Screw, RH 6 40 x 1/4 in.	x	x					1
143	6	EA-1502-4	Potentiometer Assembly	x	x					1
142	1	EA-1504-4	Base Assembly—Potentiometer			x		x		1
141	1	EA-1512	Base			x		x		1
141	2	EA-1521	Resistor			x		x		1
141	3	Comm	Eyelet, Stimpson Co. Part No. A-1177 (EA-1548)			x		x		2
141	4	EA-1516	Shaft			x		x		1
141	5	EA-1524	Lever—Adjustment R —			x		x		1
141	6	EA-1527	Lever—Adjustment R +			x		x		1

RESCINDED

Fig. No.	Index No.	Part No.	Nomenclature	EA-208A-4178896-6				EA-208A-4178896-7		EA-206A-4178896-2		EA-207A-4178896-4		Units Per Assy
				1	2	3	4	5	6	7				
141	7	EA-1522	Washer							x		x		3
141	8	EA-1523	Bushing							x		x		1
141	9	EA-1526	Eccentric—Adjustment							x		x		2
141	10	EA-1576	Stud							x		x		1
142	2	EA-1257	Washer							x		x		2
142	3	EA-1505	Arm Assembly—Contact							x		x		1
142	3A	EA-1514	Arm—Contact							x		x		1
142	3B	EA-1658	Shoe—Contact arm							x		x		1
142	3C	EA-1631	Blade—Contact arm							x		x		1
142	3D	EA-1550	Washer—Spring							x		x		1
142	3E	Comm	Eyelet, Stimpson Co. Part No. A-1177 (EA-1548)							x		x		1
142	3F	EA-1582	Washer							x		x		1
142	4	EA-1575	Spring							x		x		1
142	5	Comm	Pin—Locking (copper) No. 18 B & S ga x 3/8 in. lg (EA-1229)							x		x		1
142	6	EA-1520	Contact—Contact arm							x		x		1
142	7	660-51	Lug—Solder							x		x		1
142	8	AN935B6	Washer—Lock							x		x		1
142	9	AN520B6-4	Screw, RH 6 40 x 1/4 in.							x		x		1
143	7	EA-1583	Pad—Insulating					x	x	x		x		1
143	8	EA-1203	†Seal Assembly—Bellows					x	x	x		x		1
79	1	EA-1445	Bellows					x	x	x		x		1
79	2	EA-6507	Holder Assembly—Bellows					x	x	x		x		1
79	2A	EA-1232	Lever—Bellows					x	x	x		x		1
79	2B	EA-1446	Holder—Bellows					x	x	x		x		1
79	2C	EA-1233	Pin					x	x	x		x		1
79	2D	EA-1274	Pin—Locating					x	x	x		x		1
79	3	EA-1236	Stud—Bearing					x	x	x		x		1
79	4	EA-6503	Link Assembly					x	x	x		x		1
79	4A	EA-1235	Link					x	x	x		x		1
79	4B	EA-1237	Screw					x	x	x		x		1
79	4C	EA-1238	Washer					x	x	x		x		1
79	4D	EA-1239	Nut					x	x	x		x		1
143	9	EA-1511-82-1	Housing					x	x			x		1
143	9	EA-1511-82-2	Housing					x	x			x		1
143	10	EA-4546-1	Gasket					x	x			x		1
143	11	EA-4542	Block—Mounting					x	x			x		1
143	12	EA-4525	Gasket					x	x			x		1
143	13	AND10066-14S-1P	Receptacle					x	x			x		1
143	13	AND10066-14S-5P	Receptacle					x	x			x		4
143	14	AN935B4	Washer—Lock					x	x			x		4
143	15	AN500B4-5	Screw, fl hd 4 40 x 5/16 in.					x	x			x		2
143	16	AN505B5-8	Screw, FH 5 40 x 1/2 in.					x	x			x		1
143	17	EA-1242	Nut					x	x			x		1
143	18	AN430-2-4	Rivet					x	x			x		1
143	19	EA-1246	Arm					x	x			x		1
143	20	AN960B10	Washer					x	x			x		1
143	21	AN345B10	Nut, hex.					x	x			x		1
143	22	EA-1205-131	Pipe Assembly—Fulcrum					x	x			x		1
143	23	EA-6596-1	Stop—Float arm					x	x			x		2
143	24	EA-6576	Eccentric—Float arm stop					x	x			x		2
143	25	EA-4720-4	Pin					x	x			x		2
143	26	EA-6577	Screw—Shoulder					x	x			x		1
143	27	AN430-4-16	Rivet					x	x			x		1
143	28	AN442A4-16	Rivet					x	x			x		2
143	29	AN340B8	Nut					x	x			x		2
143	30	AN935B8	Washer—Lock					x	x			x		1
77	1	EA-1259-131	Pipe—Fulcrum					x	x			x		1
77	2	EA-1260	Stud—Fulcrum					x	x			x		1
77	3	EA-1591B	Plug—Fulcrum					x	x			x		1
143	31	AN430-4-18	Rivet					x	x			x		1
143	32	EA-1258	Pin—Operating					x	x			x		1
143	33	8227	Washer					x	x			x		2

Section II
Group Assembly Parts List

EO 20-85BA-4

Fig. No.	Index No.	Part No.	Nomenclature					Units Per Assy		
				EA-208A-4178896-6	EA-208A-4178896-7	EA-206A-4178896-2	EA-207A-4178896-4			
			1	2	3	4	5	6	7	
143	34	EA-1289	Rod—Operating							
143	35	EA-1252-274	Arm—Float	x		x		x		1
143	35	EA-1252-275	Arm—Float	x						1
143	35	EA-1252-276	Arm—Float			x				1
143	36	AN380B2-2	Pin—Cotter					x		1
143	37	EA-1255-119-1A	Fork—Float with bushing	x		x		x		1
78	13	EA-1255-119-1	Fork—Float	x		x		x		1
78	14	EA-1254	Bushing	x		x		x		1
143	38	EA-1257-1	Washer	x		x		x		1
143	39	EA-1536	Float	x		x		x		2
143	40	EA-8523	Fulcrum	x		x		x		1
143	40	EA-8525	Fulcrum			x				1
143	41	EA-1245	Pin—Operating rod link	x				x		1
143	42	AN960B8	Washer	x		x		x		1
143	43	Comm	Pin—Locking (copper) No. 18 B & S ga x 3/8 in. lg (EA-1229)	x		x		x		1
143	44	Comm	Rivet, Stimpson No. H-149 (brass) (EA-8530)	x		x		x		1
143	45	8229	Rivet	x		x		x		2
143	46	EA-1278	Plate—Name	x		x		x		1
143	18	AN430-2-4	Rivet	x		x		x		1
143	47	8262	Gasket	x		x		x		2
				x		x		x		1



Fig. No.	Index No.	Part No.	Nomenclature			Units Per Assy				
				EA-216-4310269-2	EA-217-4310269-4					
			1	2	3	4	5	6	7	
Tank Unit Assembly										
144	1	EA-1525	Cover—Housing							
144	2	AN340B8	Nut	x		x				1
144	3	AN935B8	Washer—Lock	x		x				2
144	4	EA-1542	Stud	x		x				2
144	5	EA-1502-6	Potentiometer Assembly	x		x				2
140	1	EA-1504-6	Base Assembly—Potentiometer	x						1
139	1	EA-1512-1	Base	x						1
139	2	EA-1521-1	Resistor	x						1
139	3	Comm	Eyelet, Stimpson Co. Part No. A-1177 (EA-1548)	x						1
				x						2
139	4	EA-1516	Shaft	x						1
139	5	EA-8626	Lever—Adjustment R—	x						1
139	6	EA-1527	Lever—Adjustment R +	x						1
139	7	EA-1522	Washer	x						1
139	8	EA-1523	Bushing	x						3
139	9	EA-1526	Eccentric—Adjustment	x						1
139	10	EA-1576	Stud	x						2
139	11	EA-8624	Stud—Cover	x						1
139	12	EA-8625	Washer—Cover stud	x						1
139	13	EA-8628	Switch Assembly—Transfer	x						1
139	13A	EA-8622	Lifter	x						1
139	13B	EA-1526	Eccentric—Adjustment	x						1
139	13C	EA-8623	Base—Transfer switch	x						1
139	13D	EA-8627	Nut—Special	x						1
139	13E	AN960B3	Washer	x						1
139	13F	AN935B4	Washer—Lock	x						1

RESCINDED

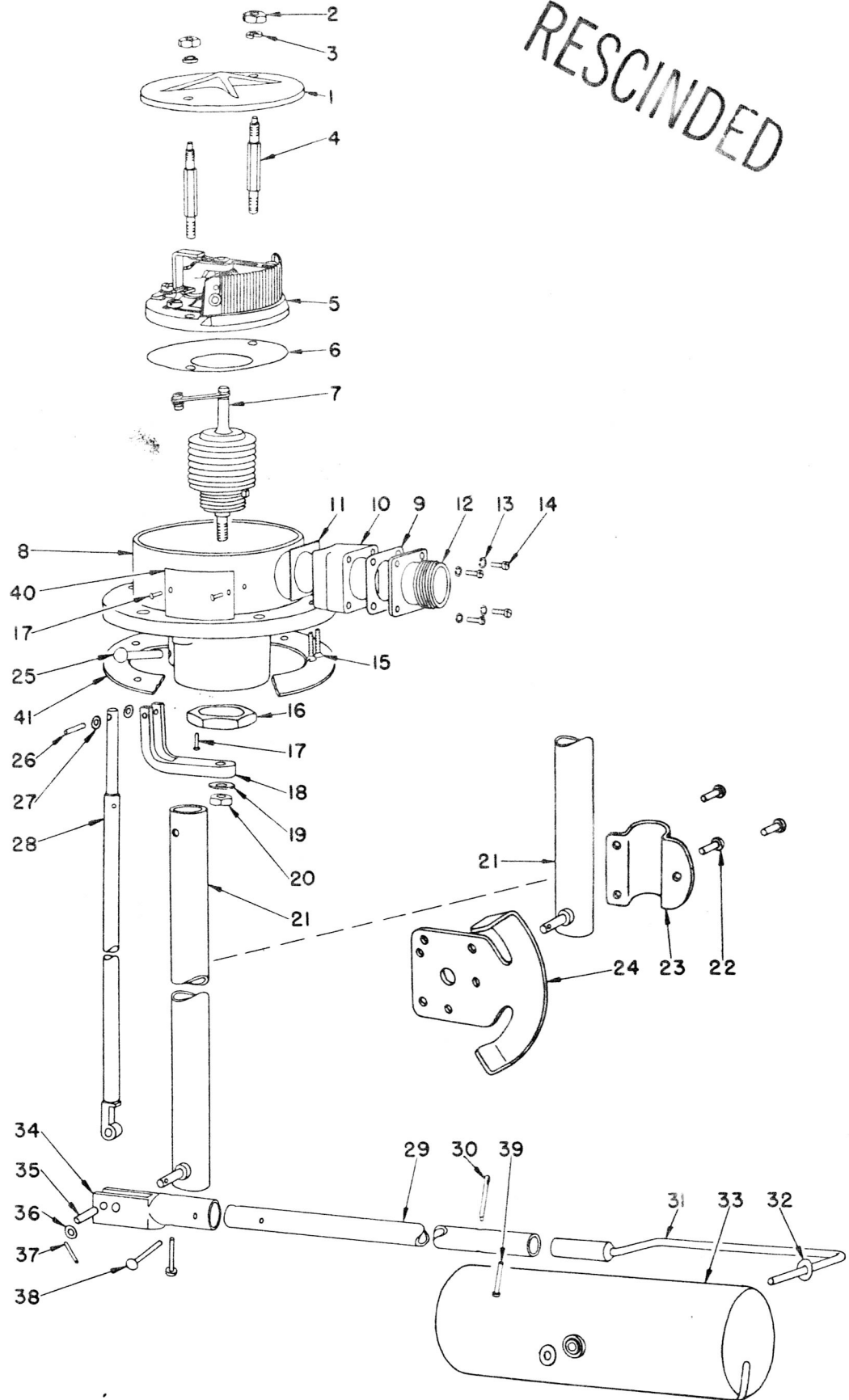


Figure 144—Tank Unit EA-216 and EA-217

Section II
Group Assembly Parts List

EO 20-85BA-4

Fig. No.	Index No.	Part No.	Nomenclature								Units Per Assy	
				1	2	3	4	5	6	7		
139	13G	AN515B3-6	Screw, RH 3 48 x 3/8 in.							x		1
140	2	EA-1257	Washer							x		2
140	3	EA-1505	Arm Assembly—Contact							x		1
142	3A	EA-1514	Arm—Contact							x		1
142	3B	EA-1658	Shoe—Contact arm							x		1
142	3C	EA-1631	Blade—Contact arm							x		1
142	3D	EA-1550	Washer—Spring							x		1
142	3E	Comm	Eyelet, Waterbury Co. Part No. 9966 (EA-1518)							x		1
142	3F	EA-1582	Washer							x		1
140	4	EA-1575	Spring							x		1
140	5	Comm	Pin—Locking (copper) No. 18 B & S ga x 3/8 in. lg (EA-1229)							x		1
140	6	EA-1520	Contact—Contact arm							x		1
140	7	660-51	Lug—Solder							x		1
140	8	AN935B6	Washer—Lock							x		1
140	9	AN520B6-4	Screw, RH 6 40 x 1/4 in.							x		1
144	5	EA-1502-24	Potentiometer Assembly								x	1
142	1	EA-1504-24	Base Assembly—Potentiometer								x	1
141	1	EA-1512	Base								x	1
141	2	EA-17621	Resistor								x	1
141	3	Comm	Eyelet, Stimpson Co. Part No. A-1177 (EA-1548)								x	2
141	4	EA-1516	Shaft								x	1
141	5	EA-1524	Lever—Adjustment R —								x	1
141	6	EA-1527	Lever—Adjustment R +								x	1
141	7	EA-1522	Washer								x	1
141	8	EA-1523	Bushing								x	3
141	9	EA-1526	Eccentric—Adjustment								x	1
141	10	EA-1576	Stud								x	2
142	2	EA-1257	Washer								x	1
142	3	EA-1505	Arm Assembly—Contact								x	2
142	3A	EA-1514	Arm—Contact								x	1
142	3B	EA-1658	Shoe—Contact arm								x	1
142	3C	EA-1631	Blade—Contact arm								x	1
142	3D	EA-1550	Washer—Spring								x	1
142	3E	Comm	Eyelet, Waterbury Co. Part No. 9966 (EA-1518)								x	1
142	3F	EA-1582	Washer								x	1
142	4	EA-1575	Spring								x	1
142	5	Comm	Pin—Locking (copper) No. 18 B & S ga x 3/8 in (EA-1229)								x	1
142	6	EA-1520	Contact—Contact arm								x	1
142	7	660-51	Lug—Solder								x	1
142	8	AN935B6	Washer—Lock								x	1
142	9	AN520B6-4	Screw, RH 6 40 x 1/4 in.								x	1
144	6	EA-1583	Pad—Insulating								x	1
144	7	EA-1203	†Seal Assembly—Bellows								x	1
79	1	EA-1445	Bellows								x	1
79	2	EA-6507	Holder Assembly—Bellows								x	1
79	2A	EA-1232	Lever—Bellows								x	1
79	2B	EA-1446	Holder—Bellows								x	1
79	2C	EA-1233	Pin								x	1
79	2D	EA-1274	Pin—Locating								x	1
79	3	EA-1236	Stud—Bearing								x	1
79	4	EA-6503	Link Assembly								x	1
79	4A	EA-1235	Link								x	1
79	4B	EA-1237	Screw								x	1
79	4C	EA-1238	Washer								x	1
79	4D	EA-1239	Nut								x	1
144	8	EA-1511-53-1	Housing								x	1
144	9	EA-4546-1	Gasket								x	1
144	9	EA-4546-2	Gasket								x	1
144	10	EA-4542	Block—Mounting								x	1
144	10	EA-4543	Block—Mounting								x	1
144	11	EA-4525	Gasket								x	1
144	12	AND10066-12S-3P	Receptacle								x	1
144	12	AND10066-14S-2P	Receptacle								x	1
144	13	AN935B4	Washer—Lock								x	1
144	14	AN500B4-5	Screw, fil hd 4 40 x 5/16 in.								x	4

RESCINDED

Fig. No.	Index No.	Part Number	Nomenclature				EA-226-1L	EA-226-1R	EA-227-2L	EA-227-2R	Unit Per Assy.
			1	2	3	4					
			TANK UNIT								
145	1	EA-16133-1								1	
145	3	EA-1824				x	x	x	x	2	
145	4	EA-1818				x	x	x	x	2	
145	5	EA-1823				x	x	x	x	2	
143	4	EA-17638				x	x	x	x	1	
145	6	EA-6202-6				x	x			1	
145	6	EA-6202-7						x	x	1	
146	2	EA-6224-6				x	x			1	
146	3	EA-6224-6				x	x			1	
146	2	EA-6224-7						x	x	1	
146	3	EA-6224-7						x	x	1	
146	4	EA-6223				x	x	x	x	2	
130	8	EA-1511-51-6				x		x		1	
130	8	EA-1511-52-7					x		x	1	
130	46	EA-6533				x	x	x	x	1	
130	47	AN455AD3-4				x	x	x	x	2	
130	48	EA-6548				x	x	x	x	1	
130	49	Comm.				x	x	x	x	1	
130	50	EA-8546				x	x	x	x	1	
130	51	EA-8551				x	x	x	x	1	
130	52	EA-8552				x	x	x	x	1	
130	53	AN3054-6				x	x	x	x	1	
130	54	AN3101-14S-2P				x	x	x	x	1	
144	21	EA-1205-153				x	x			1	
144	21	EA-1205-154						x	x	1	
144	28	EA-9901-48				x	x			1	
144	28	EA-9901-44						x	x	1	
144	24	EA-6573				x	x	x	x	1	
144	23	EA-6571				x	x	x	x	1	
144	22	AN430-4-5				x	x	x	x	3	
144	29	EA-1252-259				x				1	
144	29	EA-1252-260					x			1	
144	29	EA-1252-261						x		1	
144	29	EA-1252-262							x	1	
144	31	EA-1255A				x	x	x	x	1	
144	34	EA-8524				x	x	x		1	
144	41	8262H				x	x	x	x	1	

ALL OTHER PARTS TO COMPLETE TANK UNITS
FOUND ON PAGE 144



RESCINDED

EO 20-85BA-4

Section II
Group Assembly Parts List

Fig. No.	Index No.	Part No.	Nomenclature								Units	
				EA-216-4310269-2	EA-217-4310269-4	Per Assy						
144	15	AN505B5-8	Screw, FH 5 40 x 1/2 in.	x							2	
144	16	EA-1242	Nut	x					x		1	
144	17	AN430-2-4	Rivet	x					x		1	
144	18	EA-1246	Arm	x					x		1	
144	19	AN960B10	Washer	x					x		1	
144	20	AN345B10	Nut, hex.	x					x		1	
144	21	EA-1205-206	Pipe Assembly—Fulcrum	x					x		1	
144	22	AN430-4-5	Rivet	x					x		3	
144	23	EA-6571	Strap	x					x		1	
144	24	EA-6573	Bracket	x					x		1	
77	1	EA-1259-206	Pipe—Fulcrum	x					x		1	
77	2	EA-1260	Stud—Fulcrum	x					x		1	
77	3	EA-1591B	Plug—Fulcrum	x					x		1	
144	25	AN430-4-18	Rivet	x					x		2	
144	26	EA-1258	Pin—Operating	x					x		1	
144	27	8227	Washer	x					x		2	
144	28	EA-9901-95	Rod Assembly—Operating	x					x		1	
77	4	EA-1247	Extension—Operating	x					x		1	
77	5	EA-1253-195	Rod—Operating	x					x		1	
77	6	EA-8550	Link—Operating rod	x					x		1	
77	7	AN430D2-6	Rivet	x					x		1	
144	29	EA-1252-239	Arm—Float	x					x		1	
144	30	AN380B2-2	Pin—Cotter	x					x		1	
144	31	EA-1255A	Fork—Float with bushing	x					x		1	
78	12	EA-1255	Fork—Float	x					x		1	
78	14	EA-1254	Bushing	x					x		1	
144	32	EA-1257	Washer	x					x		2	
144	33	EA-1294	Float Assembly	x					x		1	
78	1	EA-1270	Float	x					x		1	
78	2	EA-1280	Bearing	x					x		1	
78	3	EA-1268	Bushing	x					x		2	
78	4	EA-1269-1	Weight	x					x		1	
144	34	EA-8526	Fulcrum	x					x		1	
144	35	EA-1245	Pin—Operating rod link	x					x		1	
144	36	AN960B8	Washer	x					x		1	
144	37	Comm	Pin—Locking (copper) No. 18 B & S ga x 3/8 in. lg (EA-1229)	x					x		1	
144	38	Comm	Rivet, Stimpson No. H-149 (brass) (EA-8530)	x					x		2	
144	39	8229	Rivet	x					x		1	
144	40	EA-1278	Plate—Name	x					x		1	
144	17	AN430-2-4	Rivet	x					x		2	
144	41	8262	Gasket	x					x		1	



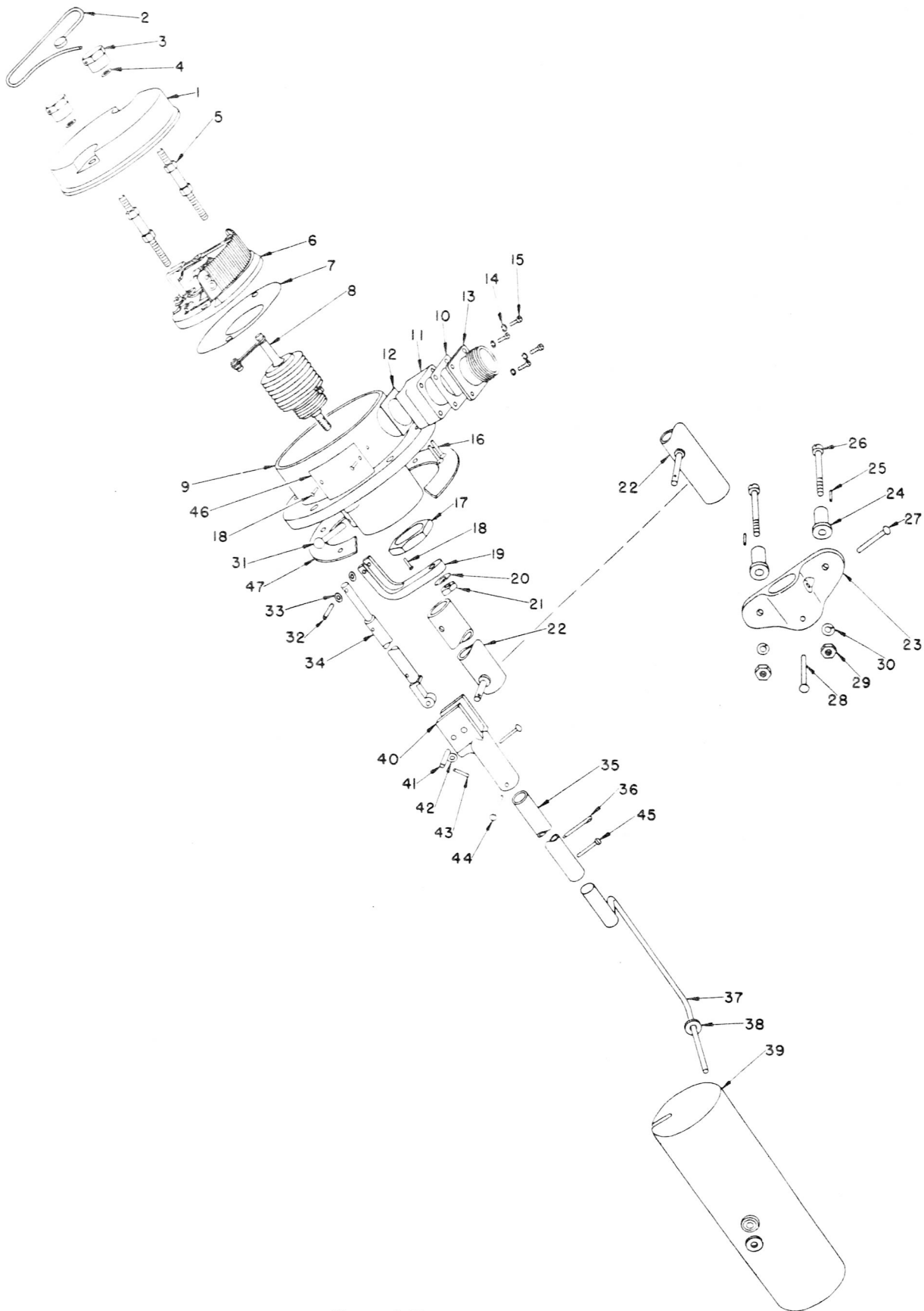


Figure 145—Tank Unit EA-228A

RESCINDED

Fig. No.	Index No.	Part No.	Nomenclature								Units Per Assy	
				1	2	3	4	5	6	7		
145	6	EA-6202-1	Potentiometer Assembly (see Figs. 146 & 147)	x	x	x	x	x	x			1
146	2	EA-6221-1	Resistor	x	x	x	x	x	x			1
146	3	EA-6222-1	Resistor	x	x	x	x	x	x			1
147	3	EA-6505	Arm Assembly—Contact	x	x	x	x	x	x			1
145	9	EA-1511-53-1	Housing	x	x							1
145	9	EA-1511-88-2	Housing			x	x	x	x			1
145	10	EA-4546-1	Gasket	x	x	x	x	x	x	x	x	1
145	11	EA-4544	Block Mounting	x	x	x	x	x	x	x	Corrected part no.	1
145	13	EA-4507A	Receptacle	x	x	x	x	x	x	x	for these units.	1
145	22	EA-1205-180	Pipe Assembly—Fulcrum	x	x	x	x	x	x			1
145	34	EA-9901-72	Rod Assembly—Operating	x	x	x	x	x	x			1
145	35	EA-1252-304	Arm—Float						x	x		1
145	35	EA-1252-307	Arm—Float	x	x							1
145	35	EA-1252-309	Arm—Float			x	x					1
145	37	EA-1255-126A	Fork—Float with Bushing	x	x							1
145	37	EA-1255-109A	Fork—Float with Bushing			x	x	x	x			1
115	32	EA-1294-2	Float Assembly	x	x	x	x	x	x			1
145	40	EA-8524	Fulcrum	x	x	x	x	x	x			1
115	46	EA-6592	Clamp—Float stop	x	x	x	x	x	x			1
115	47	EA-6593	Bracket—Float stop	x	x	x	x	x	x			1
115	48	EA-6555	Arm—Float stop	x	x	x	x	x	x			4
115	49	AN430-4-5	Rivet	x	x	x	x	x	x			2
115	50	AN935B10	Lockwasher	x	x	x	x	x	x			2
115	51	AN340B10	Nut	x	x	x	x	x	x			2
115	52	Comm.	Screw, Binding H. No 10-32 x 1/2 in.									2

ALL OTHER PARTS TO COMPLETE TANK
UNIT FOUND ON FIGURE 145

Section II
Group Assembly Parts List

EO 20-85BA-4

Fig. No.	Index No.	Part No.	1	2	3	4	5	6	7	Nomenclature	EA-224-2	EA-224-3	EA-225W-1	EA-225W-2	Units Per Assy
145	6	EA-6202-4								Potentiometer assembly	x	x			1
146	2	EA-6221-4								Resistor	x	x			1
146	3	EA-6222-4								Resistor	x	x			1
145	6	EA-6202S-5								Potentiometer assembly	x	x			1
146	2	EA-6221-5								Resistor			x	x	1
146	3	EA-6222-5								Resistor			x	x	1
147	1	EA-6204-5								Base Assembly			x	x	1
136	10	EA-1508								Switch Assembly—Warning			x	x	1
136	11	AN515B3-4								Screw			x	x	1
136	12	EA-1657								Spacer			x	x	1
136	13	AN515B3-5								Screw			x	x	1
147	3	EA-6205S								Arm Assembly—Contact			x	x	1
119	3B	Comm.								Eyelet, Waterbury Co. Part No. 9966 (EA-1518)			x	x	1
119	3C	EA-1559								Arm—Switch Contact			x	x	1
119	3D	EA-1550								Washer—Spring			x	x	1
145	9	EA-1511-51-1								Housing	x		x	x	1
145	9	EA-1511-52-1								Housing		x	x	x	1
145	10	EA-4546-1								Gasket	x	x	x	x	1
145	13	EA-4507A								Receptacle	x	x	x	x	1
145	22	EA-1205-113								Pipe Assembly—Fulcrum	x	x	x	x	1
145	22	EA-1205-198								Pipe Assembly—Fulcrum	x	x	x	x	1
138	25	EA-8589								Rod Assembly—Operating			x	x	1
145	34	EA-9901-88								Rod Assembly—Operating	x	x			1
145	35	EA-1252-212								Arm—Float			x	x	1
145	35	EA-1252-201								Arm—Float	x	x			1
145	37	EA-1255-2A								Fork—Float with Bushing			x	x	1
145	37	EA-1255-107A								Fork—Float with Bushing	x	x			1
145	39	EA-1294								Float Assembly	x	x	x	x	1
145	40	EA-8524								Fulcrum	x	x	x	x	1

ALL OTHER PARTS TO COMPLETE TANK
UNIT FOUND ON FIGURE 145

RESCINDED

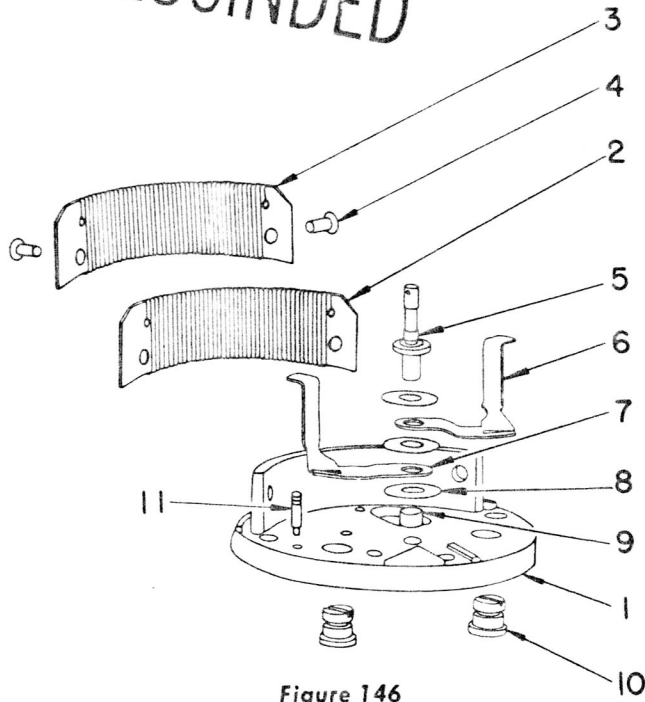


Figure 146

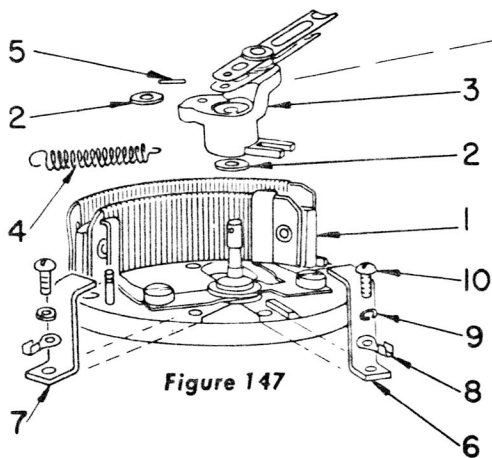
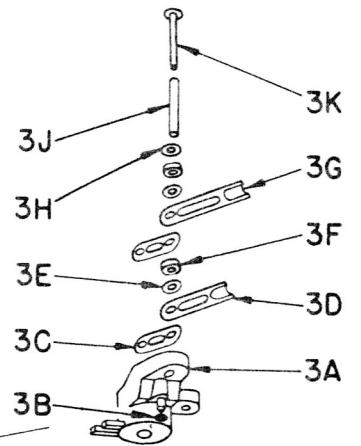


Figure 147

POTENTIOMETER

Section II
Group Assembly Parts List

EO 20-85BA-4

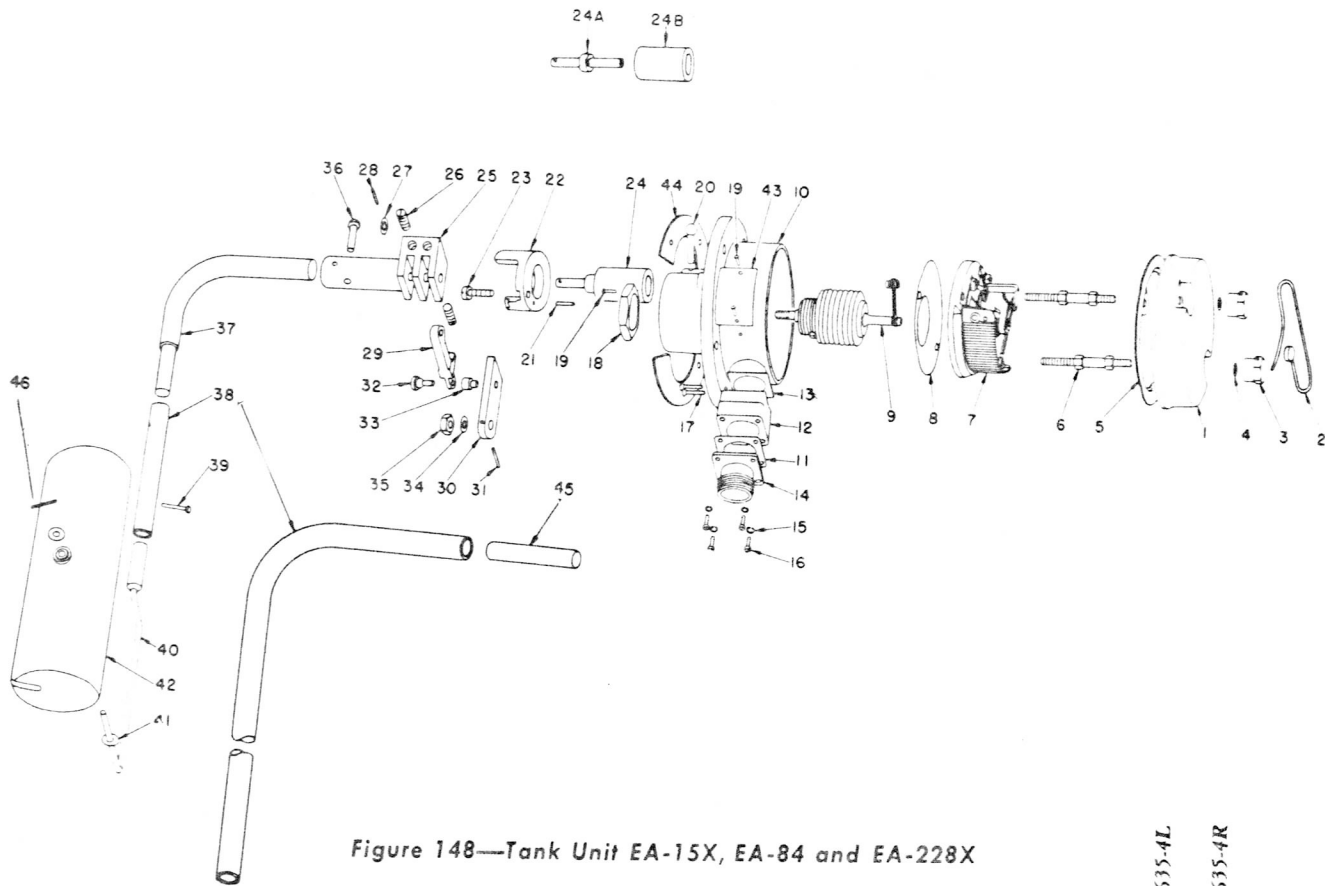


Figure 148—Tank Unit EA-15X, EA-84 and EA-228X

Fig. No.	Index No.	Part No.	Nomenclature	EA-15X-1	EA-15X-2	EA-15X-4	EA-84X-1L	EA-84X-1R	EA-228X-15-16635-4L	EA-228X-15-16635-4R	Units Per Assy
			1 2 3 4 5 6 7								
			TANK UNIT								
148	1	EA-1525	Cover—Housing	x	x	x					1
148	1	EA-16133	Cover—Housing				x	x	x	x	1
148	2	EA-16144	Seal—Wire						x	x	1
148	3	AN340B8	Nut	x	x	x					2
148	3	EA-16141	Nut				x	x	x	x	2
148	4	EA-15142	Washer				x	x	x	x	2
148	4	AN935B8	Washer—Lock	x	x	x	x	x	x	x	2
148	5	EA-17638	Gasket				x	x	x	x	1
148	6	EA-1542	Stud	x	x	x					2
148	6	EA-16132	Stud				x	x	x	x	2
148	7	EA-1502	Potentiometer Assembly	x	x	x					1
72	2	EA-1521	Resistor	x	x	x					1
148	7	EA-1502-5	Potentiometer Assembly				x	x			1
117	2	EA-65-6	Resistor				x	x			1
148	7	EA-6202-8	Potentiometer Assembly						x	x	1
146	2	EA-6221-8	Resistor						x	x	1
146	3	EA-6228-8	Resistor						x	x	1
118	3	EA-1505	Arm Assembly—Contact	x	x	x	x	x			1
147	3	EA-6505	Arm Assembly—Contact						x	x	1
148	8	EA-1583	Pad—Insulating	x	x	x	x	x	x	x	1
148	9	EA-1203	†Seal Assembly—Bellows	x	x	x	x	x	x	x	1
79	4	EA-6503	Link Assembly	x	x	x	x	x	x	x	1
79	4A	EA-1235	Link	x	x	x	x	x	x	x	1
79	4B	EA-1237	Screw	x	x	x	x	x	x	x	1
79	4C	EA-1238	Washer	x	x	x	x	x	x	x	1
79	4D	EA-1239	Nut	x	x	x	x	x	x	x	1
148	10	EA-1511-527-1	Housing	x							1
148	10	EA-1511-526-1	Housing		x						1
148	10	EA-1511-51-1	Housing			x					1

RESCINDED

Fig. No.	Index No.	Part No.	Nomenclature							Units Per Assy		
			1	2	3	4	5	6	7			
148	10	EA-8511-52-1							x			1
148	10	EA-8511-56-1								x		1
148	10	EA-1511-53-1								x	x	1
148	11	EA-4546-1	x	x				x	x	x	x	1
148	11	EA-4546-2				x						1
148	12	EA-4542	x	x				x	x	x	x	1
148	12	EA-4543				x						1
148	13	EA-4525	x	x				x	x	x	x	1
148	14	EA-4510A	x	x				x	x			1
148	14	EA-4509A				x						1
148	14	EA-4504								x	x	1
148	15	AN935B4	x	x				x	x	x	x	4
148	16	AN500B4-5	x	x				x	x	x	x	4
148	17	AN505B5-8	x	x				x	x	x	x	2
148	18	EA-1242	x	x				x	x	x	x	1
148	19	AN430-2-4	x	x				x	x	x	x	3
148	20	AN430-4-18	x	x				x	x	x	x	1
148	21	EA-6568								x	x	1
148	22	EA-6569								x	x	1
148	23	AN501B10-6								x	x	1
148	24	EA-6565	x	x				x	x	x	x	1
148	24A	EA-1260-1	x	x				x	x	x	x	1
148	24B	EA-6561	x	x				x	x	x	x	1
148	25	EA-6566-5	x	x								1
148	25	EA-6566-4						x				1
148	25	EA-6566-3							x			1
148	25	EA-6566-A								x	x	1
148	26	EA-6580								x	x	2
148	27	EA-6583	x	x				x	x	x	x	1
148	28	Comm.	x	x				x	x	x	x	1
148	29	EA-6563						x	x	x	x	1
148	30	EA-6564-1	x	x								1
148	30	EA-6564-5						x				1
148	30	EA-6564-4							x	x		1
148	30	EA-6564								x	x	1
148	31	EA-4720-3	x	x				x	x			1
148	31	EA-4720-4								x	x	1
148	32	EA-1236	x	x				x	x	x	x	1
148	33	EA-6562	x	x				x	x	x	x	1
148	34	AN906B10	x	x				x	x	x	x	1
148	35	AN345B10	x	x				x	x	x	x	1
148	36	Comm	x	x				x	x	x	x	2
148	37	EA-6588								x	x	1
148	38	EA-1252-289	x	x								1
148	38	EA-1252-250						x				1
148	38	EA-1252-247							x	x		1
148	38	EA-1252-385								x	x	1
148	39	8229	x	x				x	x	x	x	1
148	40	EA-1255A	x	x						x	x	1
148	40	EA-1255-112A							x	x		1
148	41	EA-1257	x	x				x	x	x	x	2
148	42	EA-1294	x	x								1
148	42	EA-1291-M						x				1
148	42	EA-1294-3							x			1
148	42	EA-1290C								x	x	1
148	43	EA-1278	x	x				x	x	x	x	1
148	44	8262	x	x				x		x	x	1
148	44	EA-8513							x	x		1
148	45	EA-6558	x	x				x	x	x		1
148	46	EA-1229							x	x		1

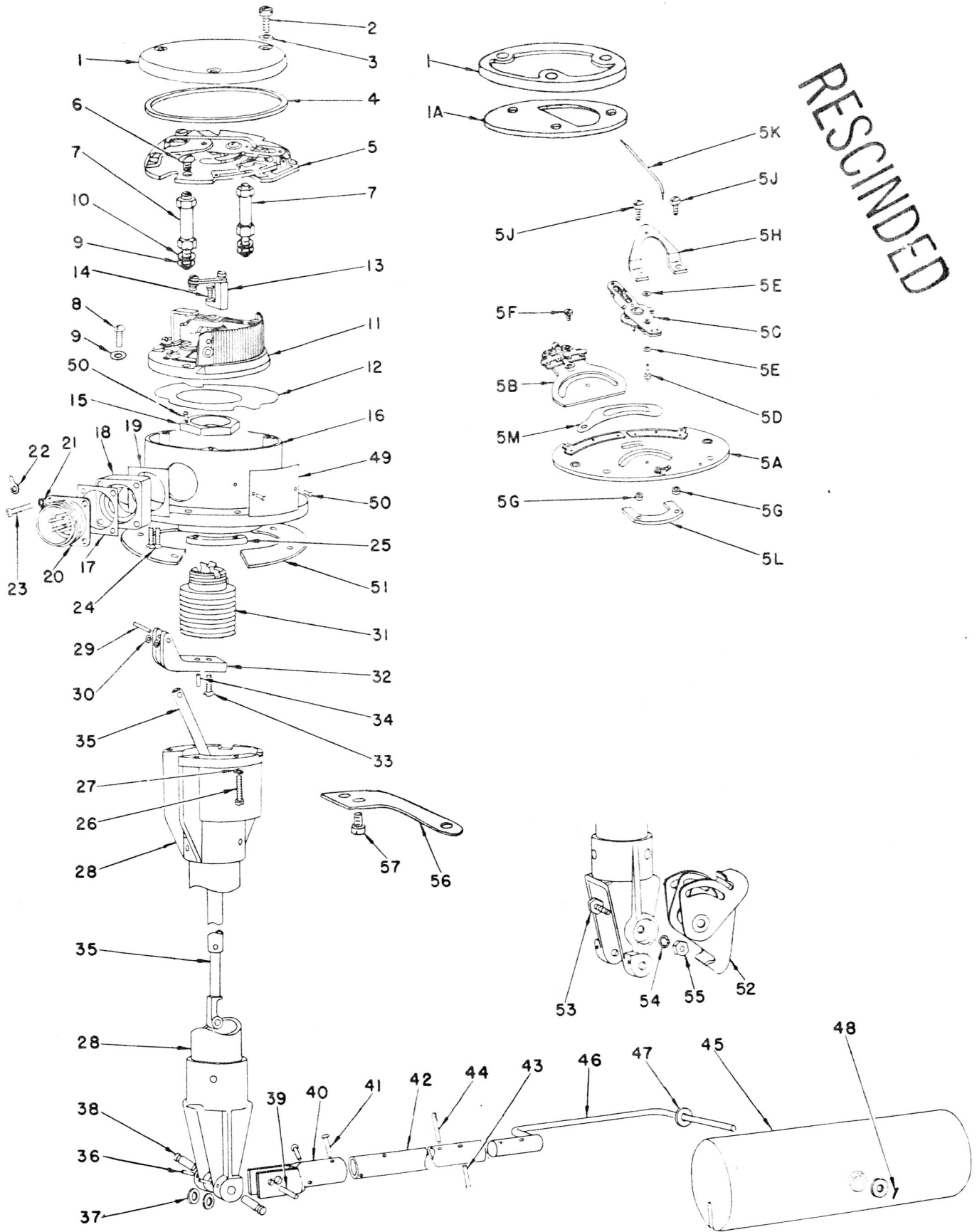


Figure 148A—Tank Units EA-515, 524, 529, 533, 565, EA590W and EA591W.

RESCINDED

Fig. No.	Index No.	Part No.	Nomenclature														Units Per Assy							
				1	2	3	4	5	6	7	EA-515-217	EA-515WC-216A	EA-524A-309	EA-529BC-310	EA-533-311	EA-565-201A		EA-565A-263	EA-565A-264	EA-565A-265	EA-565W-269	EA-565AW-259	EA-565C-245	
148A	30	8227	Washer	x	x	x	x	x	x	x	x	x	x	x	x	x	x	x	x	x	x	x	x	2
148A	31	EA-51503	†Seal—Slyphon Assembly	x	x	x	x	x	x	x	x	x	x	x	x	x	x	x	x	x	x	x	x	1
148A	32	EA-51543	Arm—Bellows	x	x	x	x	x	x	x	x	x	x	x	x	x	x	x	x	x	x	x	x	1
148A	33	AN505B6-8	Screw	x	x	x	x	x	x	x	x	x	x	x	x	x	x	x	x	x	x	x	x	1
148A	34	EA-51547	Pin	x	x	x	x	x	x	x	x	x	x	x	x	x	x	x	x	x	x	x	x	1
148A	35	EA-51590-4	Rod Assembly—Operating	x	x																			1
148A	35	EA-8589	Rod Assembly—Operating			x																		1
148A	35	EA-51590-3	Rod Assembly—Operating																				x	1
148A	35	EA-51590-24	Rod Assembly—Operating								x													1
148A	35	EA-51590-23	Rod Assembly—Operating									x												1
148A	35	EA-51590-2	Rod Assembly—Operating										x											1
148A	35	EA-51590-5	Rod Assembly—Operating											x										1
148A	35	EA-51590-6	Rod Assembly—Operating												x									1
148A	35	EA-51590-7	Rod Assembly—Operating													x								1
148A	35	EA-51590-8	Rod Assembly—Operating														x							1
148A	36	EA-4720-3	Pin	x	x	x	x	x	x	x	x	x	x	x	x	x	x	x	x	x	x	x	x	2
148A	37	EA-51572	Washer	x	x	x	x	x	x	x	x	x	x	x	x	x	x	x	x	x	x	x	x	2
148A	38	EA-51545	Pin—Fulcrum	x	x	x	x	x														x	x	2
148A	38	EA-51545-1	Pin—Fulcrum											x	x	x	x	x						2
148A	39	EA-1245	Pin—Operating Rod Link	x	x	x	x	x	x	x	x	x	x	x	x	x	x	x	x	x	x	x	x	1
148A	40	EA-8526	Fulcrum	x		x																	x	1
148A	40	EA-8525	Fulcrum		x		x	x	x	x	x	x	x	x	x	x	x	x	x	x	x	x	x	1
148A	41	EA-8530	Rivet	x	x	x	x	x	x	x	x	x	x	x	x	x	x	x	x	x	x	x	x	2
148A	42	EA-1252-287	Arm—Float	x																				1
148A	42	EA-1252-359	Arm—Float		x																			1
148A	42	EA-1252-214	Arm—Float			x																		1
148A	42	EA-1252-438	Arm—Float				x																	1
148A	42	EA-1252-435	Arm—Float										x											1
148A	42	EA-1252-421	Arm—Float											x										1
148A	42	EA-1252-386	Arm—Float												x									1
148A	42	EA-1252-387	Arm—Float													x								1
148A	42	EA-1252-388	Arm—Float														x							1
148A	42	EA-1252-204	Arm—Float																			x		x
148A	42	EA-1252-390	Arm—Float																				x	1
148A	42	EA-1252-311	Arm—Float																				x	1
148A	43	8229	Rivet	x	x	x	x	x	x	x	x	x	x	x	x	x	x	x	x	x	x	x	x	1
148A	44	8298	Pin—Cotter	x	x	x	x	x	x	x	x	x	x	x	x	x	x	x	x	x	x	x	x	1
148A	45	EA-51594	Float			x	x	x	x														x	1
148A	45	EA-51594-1	Float											x										1
85	32	EA-1291M	Float	x																				1
148A	45	EA-1536	Float												x	x	x	x						1
148A	45	EA-1294	Float																				x	1
148A	46	EA-1255-112A	Fork—Float with bushing			x																		1
148A	46	EA-1255-113A	Fork—Float with bushing				x	x	x													x	x	1
148A	46	EA-1255-114A	Fork—Float with bushing												x									1
148A	46	EA-1255-119-A-1	Fork—Float with bushing													x	x	x						1
148A	46	EA-1255A	Fork—Float with bushing																				x	1
148A	47	EA-1257	Washer			x	x	x	x	x												x	x	2
148A	47	EA-1257-1	Washer																					2
148A	48	EA-1229	Pin			x	x	x	x	x												x	x	1
148A	49	EA-1278	Nameplate	x	x	x	x	x	x	x	x	x	x	x	x	x	x	x	x	x	x	x	x	1
148A	50	AN430-2-4	Rivet	x	x	x	x	x	x	x	x	x	x	x	x	x	x	x	x	x	x	x	x	3
148A	51	8262	Gasket			x																		1
148A	51	8262B	Gasket																					1
148A	51	8262D	Gasket	x																			x	1
148A	51	8262F	Gasket																					1
148A	52	EA-51595	Float Arm Stop Assembly—Top			x																		1
148A	52	EA-51596	Float Arm Stop Assembly—Side				x																	1
148A	53	EA-51540	Screw			x	x	x	x															2
148A	54	AN935B6	Washer—Lock			x	x	x	x															2
148A	55	AN340B6	Nut			x	x	x	x															2
148A	56	EA-51510	Bracket—String Guide																					1
148A	57	AN501AB10-4	Screw																					2

Section II
Group Assembly Parts List

EO 20-85BA-4

Fig. No.	Index No.	Part No.	Nomenclature							Units Per Assy	
			1	2	3	4	5	6	7		
148A	1	EA-51525-1									
148A	1A	EA-51549-1									
148A	1A	EA-51549-2									
148A	2	EA-51551									
148A	3	EA-51552									
148A	4	EA-8541-1									
148A	5	EA-16101-7									
148A	5	EA-16101-1									
148A	6	EA-51571									
148A	7	EA-51533-1									
148A	8	AN-515B6-5									
148A	9	AN-960B6									
148A	10	AN935B6									
148A	11	EA-1502PS-21									
148A	11	EA-1502PS-22									
136-1		EA-1504-21									
136	1	EA-1504-22									
134	1	EA-56512									
134	1	EA-56512-1									
134	2	EA-1521									
134	2	EA-1521-4									
134	3	EA-1548									
136	2	EA-1257									
136	3	EA-19105S									
136	5	EA-1229									
136	10	EA-1508									
136	11	AN-515B3-4									
136	12	EA-1657									
136	13	AN-515B3-5									
148A	16	EA-51511-53-4									
148A	17	EA-4546-1									
148A	18	EA-56542									
148A	20	EA-4507A									
148A	20	EA-4510A									
148A	28	EA-51505-45									
148A	28	EA-51505-46									
148A	28	EA-51505-47									
148A	35	EA-51590-28									
148A	35	EA-51590-29									
148A	35	EA-51590-27									
148A	42	EA-1252-482									
148A	42	EA-1252-483									
148A	42	EA-1252-481									
148A	45	EA-51594									
148A	46	EA-1255A									
148A	51	8262D									
148A	52	EA-51595									
148A	53	EA-51540									
148A	54	AN-935B6									
148A	55	AN-340B6									
148A	56	EA-51510									
148A	57	AN-501AB10-4									

EA-591W-483

EA-591W-484

EA-590W-485

Not Used

All other parts to complete these tank units can be found on pages 250B, 250D, and 250E.

RESCINDED

Section II
Group Assembly Parts List

No. No.	Index No.	Part No.	1 2 3 4 5 6 7							EA-565-201A	EA-656A-263	EA-565A-264	EA-565A-265	EA-656W-269	Units Per Assy
			Nomenclature												
148A	40	EA-1536													1
148A	40	EA-51594													1
148A	41	EA-1255-114													1
148A	41	EA-1255-119-1A													1
148A	41	EA-1255-113A													1
148A	42	EA-1257													1
148A	42	EA-1257-1													2
148A	43	EA-1229													2
148A	44	EA-1278													1
148A	45	AN430-2-4													1
148A	46	8262													2
148A	46	8262B													1
148A	46	8262B													1

Section II
Group Assembly Parts List

EO 20-85BA-4

Fig. No.	Index No.	Part No.	Nomenclature	1	2	3	4	5	6	7	EA-47-1-24	EA-47-2C	EA-48-5	EA-48-5-24	EA-48-12	EA-48-12-24	EA-48-13	EA-48-15	EA-48-16	EA-48-17T	EA-49-4	Units Per Assy	
149	1	AN515B8-8	Screw																				
149	2	EA-47099	Case Assembly	x	x	x	x	x	x	x	x	x	x	x	x	x	x	x	x	x	x	x	4
149	2A	EA-4712-1	Case	x	x	x	x	x	x	x	x	x	x	x	x	x	x	x	x	x	x	x	1
149	2B	Comm	Bracket—Anchor nut, elastic stop No. 68A7-82 (EA-4758)	x	x	x	x	x	x	x	x	x	x	x	x	x	x	x	x	x	x	x	1
149	2C	Comm	Nut—Elastic stop, No. 68L8-02 (EA-4759)	x	x	x	x	x	x	x	x	x	x	x	x	x	x	x	x	x	x	x	4
149	2D	EA-47031	Rivet	x	x	x	x	x	x	x	x	x	x	x	x	x	x	x	x	x	x	x	8
149	3	AN515B2-3	Screw	x	x	x	x	x	x	x	x	x	x	x	x	x	x	x	x	x	x	x	5
149	4	AN935B2	Washer—Lock	x	x	x	x	x	x	x	x	x	x	x	x	x	x	x	x	x	x	x	8
149	5	AN515B4-5	Screw	x	x	x	x	x	x	x	x	x	x	x	x	x	x	x	x	x	x	x	1
149	6	AN935B4	Washer—Lock	x	x	x	x	x	x	x	x	x	x	x	x	x	x	x	x	x	x	x	1
149	7	EA-4752	Knob—Index	x	x	x	x	x	x	x	x	x	x	x	x	x	x	x	x	x	x	x	1
149	8	EA-4751	Pin—Knob	x	x	x	x	x	x	x	x	x	x	x	x	x	x	x	x	x	x	x	1
149	9	EA-4778	Washer—Felt	x	x	x	x	x	x	x	x	x	x	x	x	x	x	x	x	x	x	x	1
149	10	EA-4750-6-1-24	Plate—Index	x	x	x	x	x	x	x	x	x	x	x	x	x	x	x	x	x	x	x	1
149	10	EA-4750-6-2C	Plate—Index																				1
149	10	EA-4750-4-5	Plate—Index																				1
149	10	EA-4750-4-5-24	Plate—Index																				1
149	10	EA-4750-4-12	Plate—Index																				1
149	10	EA-4750-4-12-24	Plate—Index																				1
149	10	EA-4750-4-13	Plate—Index																				1

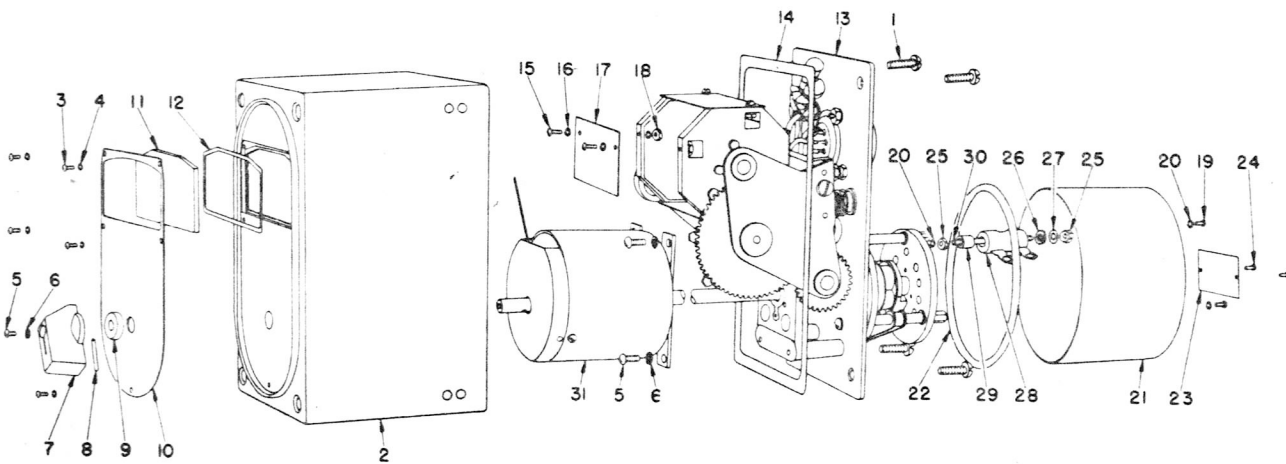
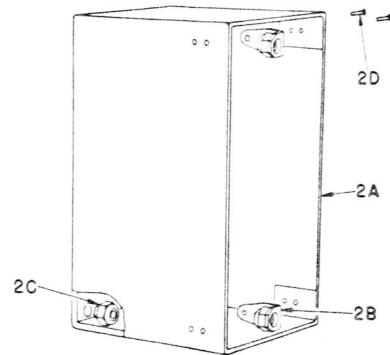


Figure 149—Dial Change Indicator

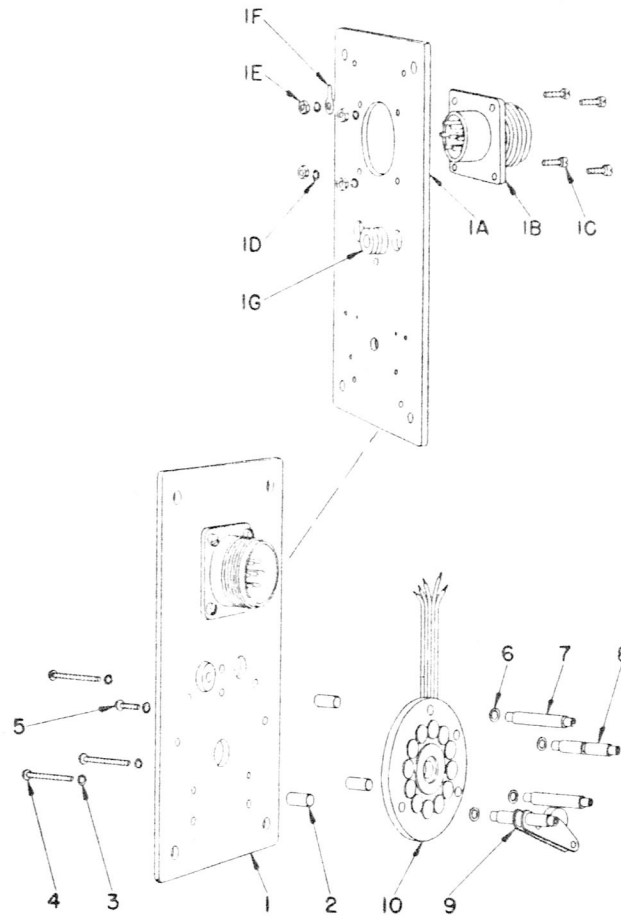


Figure 151—Back Plate and Receptacle Assembly

Fig. No.	Index No.	Part No.	Nomenclature	EA-47-1-24	EA-47-2C	EA-48-5	EA-48-5-24	EA-48-12	EA-48-12-24	EA-48-13	EA-48-15	EA-48-16	EA-48-17T	EA-49-4	Units Per Assy
				1	2	3	4	5	6	7					
151	6	EA-47081	Washer	x	x	x	x	x	x	x	x	x	x	x	4
151	7	EA-4781	Stud—Spacer	x	x	x	x	x	x	x	x	x	x	x	2
151	8	EA-4785	Stud—Spring	x	x	x	x	x	x	x	x	x	x	x	1
151	9	EA-4704	Arm Assembly—Index	x	x	x	x	x	x	x	x	x	x	x	1
151	10	EA-48122-3	Wiring Assembly—End plate inner	x											1
151	10	EA-48122-5	Wiring Assembly—End plate inner		x										1
151	10	EA-48122-7	Wiring Assembly—End plate inner			x	x	x	x	x	x				1
151	10	EA-48122-9	Wiring Assembly—End plate inner									x	x		1
151	10	EA-48102-3	Wiring Assembly—End plate inner											x	1
150	2	EA-4786	Stud—Mounting	x	x	x	x	x	x	x	x	x	x	x	3
150	3	EA-47081	Washer	x	x	x	x	x	x	x	x	x	x	x	7
150	4	AN515B4-3	Screw	x	x	x	x	x	x	x	x	x	x	x	1
150	5	AN935B4	Washer—Lock	x	x	x	x	x	x	x	x	x	x	x	1
150	6	EA-48120	Blank—End plate, outer	x	x	x	x	x	x	x	x	x	x	x	1
150	7	EA-4790	Support—Brush	x	x	x	x	x	x	x	x	x	x	x	1
150	8	EA-4793	Disc—Insulator	x	x	x	x	x	x	x	x	x	x	x	2
150	9	EA-4891	Cam—Index			x	x	x	x	x	x				1
150	9	EA-4791	Cam—Index	x	x										1
150	9	EA-4991	Cam—Index											x	1
150	10	EA-4783	Key	x	x	x	x	x	x	x	x	x	x	x	1
150	11	**266086-1	Brush Assembly - Inner				x								1
150	11	EA-4703	Brush Assembly - Inner 266086-1	x	x	x		x	x	x	x	x	x	x	1
150	12	EA-4887-1	Spring	x	x	x	x	x	x	x	x	x	x	x	1
150	13	AN515B6-6	Screw	x	x	x	x	x	x	x	x	x	x	x	3
150	14	AN935B6	Washer - Lock	x	x	x	x	x	x	x	x	x	x	x	3

** Per EO 20-85BA-6B/1

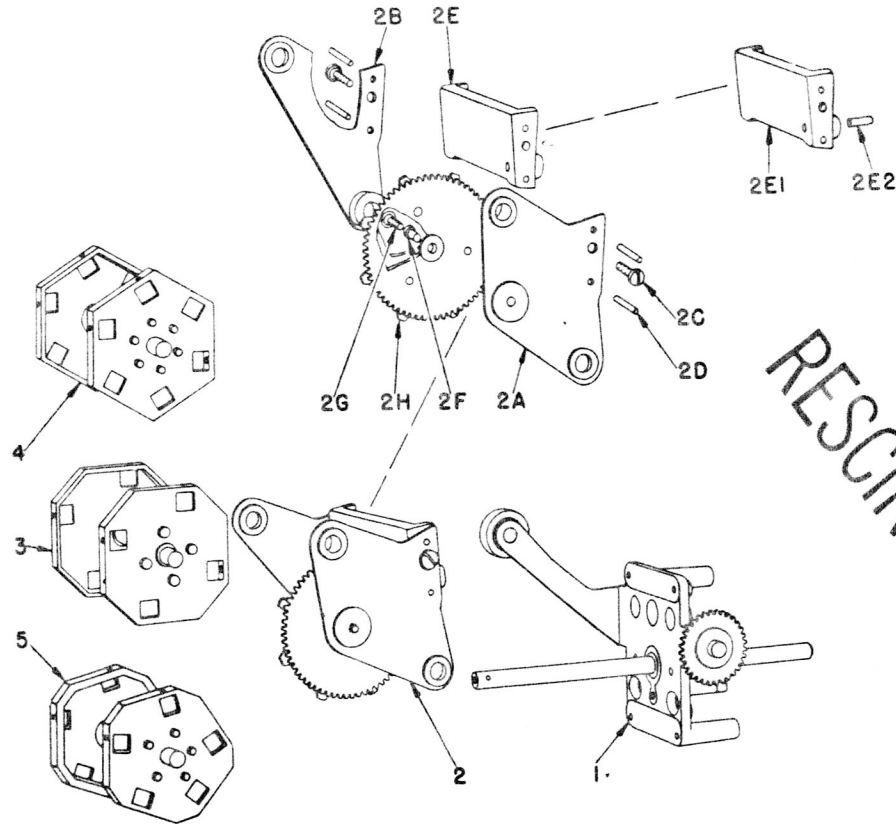


Figure 152—Bracket Assembly and Frame Assembly

Fig. No.	Index No.	Part No.	Nomenclature								Units Per Assy									
				EA-47-1-24	EA-47-2C	EA-48-5	EA-48-5-24	EA-48-12	EA-48-12-24	EA-48-13		EA-48-15	EA-48-16	EA-48-17T	EA-49-4					
				1	2	3	4	5	6	7										
150	15	EA-47075	Spring	x	x	x	x	x	x	x	x	x	x	x	x	x	x	x	x	1
150	16	EA-4406-6	Mechanism Assembly—Drum	x	x															1
150	16	EA-4406-4	Mechanism Assembly—Drum			x	x	x	x	x	x	x	x	x	x	x	x	x	x	1
150	16	EA-4406-5	Mechanism Assembly—Drum																	1
152	1	EA-4407-6	Bracket Assembly	x	x															1
152	1	EA-4407-4	Bracket Assembly			x	x	x	x	x	x	x	x	x	x	x	x	x	x	1
152	1	EA-4407-5	Bracket Assembly																	1
153	1	EA-4863	Bracket Sub Assembly	x	x	x	x	x	x	x	x	x	x	x	x	x	x	x	x	1
153	1A	EA-4706	Support Assembly—Ball bearing	x	x	x	x	x	x	x	x	x	x	x	x	x	x	x	x	1
153	1B	AN935B6	Washer—Lock	x	x	x	x	x	x	x	x	x	x	x	x	x	x	x	x	1
153	1C	EA-4757	Pin	x	x	x	x	x	x	x	x	x	x	x	x	x	x	x	x	2
153	1D	AN515B6-5	Screw	x	x	x	x	x	x	x	x	x	x	x	x	x	x	x	x	1
153	2	EA-4862-1	Shaft Assembly—Switch	x	x															1
153	2	EA-4862-2	Shaft Assembly—Switch			x	x	x	x	x	x	x	x	x	x	x	x	x	x	1
153	2	EA-4862-3	Shaft Assembly—Switch																	1
153	2A	EA-4746-1	Shaft—Switch	x	x															1
153	2A	EA-4746-2	Shaft—Switch			x	x	x	x	x	x	x	x	x	x	x	x	x	x	1
153	2A	EA-4746-3	Shaft—Switch																	1
153	2B	EA-4719	Gear—Spiral	x	x	x	x	x	x	x	x	x	x	x	x	x	x	x	x	1
153	2C	EA-47017	Pin	x	x	x	x	x	x	x	x	x	x	x	x	x	x	x	x	1
153	3	EA-4757	Pin	x	x	x	x	x	x	x	x	x	x	x	x	x	x	x	x	2
153	4	AN935B6	Washer—Lock	x	x	x	x	x	x	x	x	x	x	x	x	x	x	x	x	2
153	5	AN515B6-8	Screw	x	x	x	x	x	x	x	x	x	x	x	x	x	x	x	x	2
153	6	EA-47009	Plate Assembly—Bearing	x	x	x	x	x	x	x	x	x	x	x	x	x	x	x	x	1
153	6A	EA-4718	Plate—Bearing	x	x	x	x	x	x	x	x	x	x	x	x	x	x	x	x	1
153	6B	EA-47050	Bushing—Bearing	x	x	x	x	x	x	x	x	x	x	x	x	x	x	x	x	1
153	7	EA-4745	Shaft—Mechanism	x	x	x	x	x	x	x	x	x	x	x	x	x	x	x	x	1

Section II
Group Assembly Parts List

EQ 20-85BA.

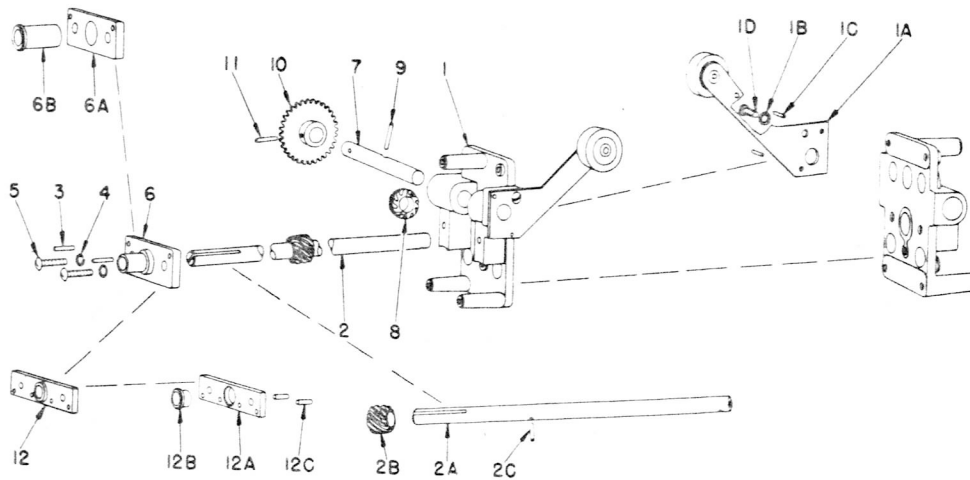


Figure 153—Bracket Sub Assembly

Fig. No.	Index No.	Part No.	Nomenclature	EA-47-1-24	EA-47-2C	EA-48-5	EA-48-5-24	EA-48-12	EA-48-12-24	EA-48-13	EA-48-15	EA-48-16	EA-48-17T	EA-49-4	Units Per Assy
			1 2 3 4 5 6 7												
153	8	EA-4719	Gear—Spiral	x	x	x	x	x	x	x	x	x	x	x	1
153	9	EA-47017	Pin	x	x	x	x	x	x	x	x	x	x	x	1
153	10	EA-47002	Gear Assembly—Drive	x	x	x	x	x	x	x	x	x	x	x	1
153	11	EA-4720-1	Pin	x	x	x	x	x	x	x	x	x	x	x	1
152	2	EA-4411-1	Frame Assembly	x	x										1
152	2	EA-4411-3	Frame Assembly												1
152	2	EA-4411-2	Frame Assembly			x	x	x	x	x	x	x	x		1
152	2A	EA-4409-1	Arm Assembly—Right frame											x	1
152	2A	EA-4409-2	Arm Assembly—Right frame	x	x										1
152	2A	EA-4409-1	Arm Assembly—Right frame			x	x	x	x	x	x	x	x		1
152	2B	EA-4410	Arm Assembly—Left frame											x	1
152	2C	EA-47076	Screw, Binding Head 6 32 x 5/16 in.	x	x	x	x	x	x	x	x	x	x	x	1
152	2D	EA-47074	Pin—Dowel	x	x	x	x	x	x	x	x	x	x	x	2
152	2E	EA-47096	Frame Assembly—Stop pin	x	x	x	x	x	x	x	x	x	x	x	4
152	2E1	EA-47071	Piece—Frame back	x	x	x	x	x	x	x	x	x	x	x	1
152	2E2	EA-47077	Pin—Stop	x	x	x	x	x	x	x	x	x	x	x	1
152	2F	EA-4732	Bushing—Gear center	x	x	x	x	x	x	x	x	x	x	x	1
152	2G	AN501B6-6	Screw—Gear center	x	x	x	x	x	x	x	x	x	x	x	1
152	2H	EA-47001	Gear Assembly—Driven	x	x	x	x	x	x	x	x	x	x	x	1
152	2H	EA-48001	Gear Assembly—Driven				x	x	x	x	x	x	x		1
152	2H	EA-49001	Gear Assembly—Driven												1
152	4	EA-4412-3	Drum Assembly											x	1
152	3	EA-4412-1	Drum Assembly	x	x										1
152	5	EA-4412-2	Drum Assembly			x	x	x	x	x	x	x	x		1
149	14	EA-47023	Gasket—Back plate												1
149	15	AN515B2-4	Screw	x	x	x	x	x	x	x	x	x	x	x	1
149	15	AN515B2-4	Screw	x	x										12
149	15	AN515B2-4	Screw			x	x	x	x	x	x	x	x		8
149	16	AN935B2	Washer—Lock											x	10
149	16	AN935B2	Washer—Lock	x	x										12
149	16	AN935B2	Washer—Lock			x	x	x	x	x	x	x	x		8
149	17	EA-4749-25-1RY	Dial											x	10
149	17	EA-4749-25-2RY	Dial	x											1
149	17	EA-4749-26-1RY	Dial	x											1
149	17	EA-4749-26-2RY	Dial	x											1
149	17	EA-4749-27-1RY	Dial	x											1

Section II
Group Assembly Parts List

EO 20-85BA-4

Fig. No.	Index No.	Part No.	Nomenclature							EA-47-1-24	EA-47-2C	EA-48-5	EA-48-5-24	EA-48-12	EA-48-12-24	EA-48-13	EA-48-15	EA-48-16	EA-48-17T	EA-49-4	Units Per Assy
			1	2	3	4	5	6	7												
149	27	Comm	Washer—Lock No. 4 INT. Shake Proof (EA-4851)								x	x	x	x	x	x				3	
149	28	EA-47013-8	Resistor						x	x										1	
149	28	EA-47013-4	Resistor								x									1	
149	28	EA-47013-5	Resistor									x								2	
149	28	EA-47013-5	Resistor										x							1	
149	29	EA-47015	Spacer						x	x										2	
149	29	EA-47015	Spacer								x									1	
149	30	EA-47016	Stud						x	x										1	
149	30	EA-47016	Stud								x									1	
149	31	EA-47008	Ratiometer Weston Electrical Instrument Corp.									x								2	
SEE SEPARATE PARTS LIST										x	x	x	x	x	x	x	x	x	x	1	

Fig. No.	Index No.	Part No.	Nomenclature							EA-41A-1	EA-41A-2	Units Per Assy
			1	2	3	4	5	6	7			
149	1	AN515B8-8	Screw							x		4
149	2	EA-47099-2	Case Assembly							x		1
149	2A	EA-4712-2	Case							x		1
149	2B	Comm	Bracket—Anchor nut elastic stop No. 68A7-82 (EA-4758)							x		4
149	2C	Comm	Nut—Elastic stop No. 68L8-02 (EA-4759)							x		4
149	2D	EA-47031	Rivet							x		8
149	3	AN515B2-3	Screw							x		5
149	4	AN935B2	Washer—Lock							x		5
149	5	AN515B4-5	Screw							x		1
149	6	AN935B4	Washer—Lock							x		1
149	7	EA-4752	Knob—Index							x		1
149	8	EA-4751	Pin—Knob							x		1
149	9	EA-4778	Washer—Felt							x		1
149	10	EA-4750-7-1	Plate—Index							x		1
149	10	EA-4750-7-2	Plate—Index							x		1
149	11	EA-4753	Glass							x		1
149	12	EA-4754	Gasket—Glass							x		1
149	13	EA-4401-71	Plate Assembly—Back							x		1
150	1	EA-4402-71	Plate Sub Assembly—Back							x		1
154	1	EA-4403-4	Plate—Receptacle Assembly—Back							x		1
154	1A	EA-4747-22	Plate—Back							x		1
154	1B	AN3102-18-1P	Receptacle							x		1
154	1C	AN500B4-6	Screw							x		4
154	1D	AN935B4	Washer—Lock							x		4
154	1E	AN340B4	Nut							x		4
154	1F	660-51	Lug—Solder							x		1
154	1G	EA-47025	Grommet, (Goodyear)							x		1
154	1H	EA-4813	Plate—Illumination name							x		1
154	1J	10139	Connector Assembly—Electrical							x		1
154	1K	10197	Ring—Snap							x		1
154	2	EA-47086	Spacer—Mounting stud							x		3
154	3	AN935B4	Washer—Lock							x		2
154	4	EA-47091	Screw, RH 4 40 x 11/16 in.							x		3
154	5	AN515B4-4	Screw							x		1
154	6	EA-47081	Washer							x		4
154	7	EA-4781	Stud—Spacer							x		2
154	8	EA-4785	Stud—Spring							x		1
154	9	EA-4704	Arm Assembly—Index							x		1
154	10	EA-48102-5	Wire Assembly—End plate inner							x		1
154	11	EA-47018	Bracket—Light							x		1
154	12	AN515B6-3	Screw							x		2
154	13	EA-47027	Stiffener—Bracket							x		1
154	14	AN515B3-3	Screw							x		2
154	15	Comm	Washer—Lock No. 4 INT. Shake Proof (EA-4851)							x		2
154	16	AN340B3	Nut							x		2
154	17	10125	Insulator							x		1
154	18	AN935B2	Washer—Lock							x		3

Fig. No.	Index No.	Part No.	Nomenclature							Units Per Assy	
			1	2	3	4	5	6	7		
149		EA-41A 4									
149	10	EA-4750-7-4									1
149	17	EA-4749-10-2FM									1
149	17	EA-4749-15-2FM									1
149	17	EA-4749-96-1FM									1
149	17	EA-4749-97-1FM									1
149	17	EA-4749-98-1FM									1
149	23	NPJ41A-4A									1

ALL OTHER PARTS TO COMPLETE
THIS DIAL CHANGE INDICATOR
FOUND ON FIGURE 149

RESCINDED

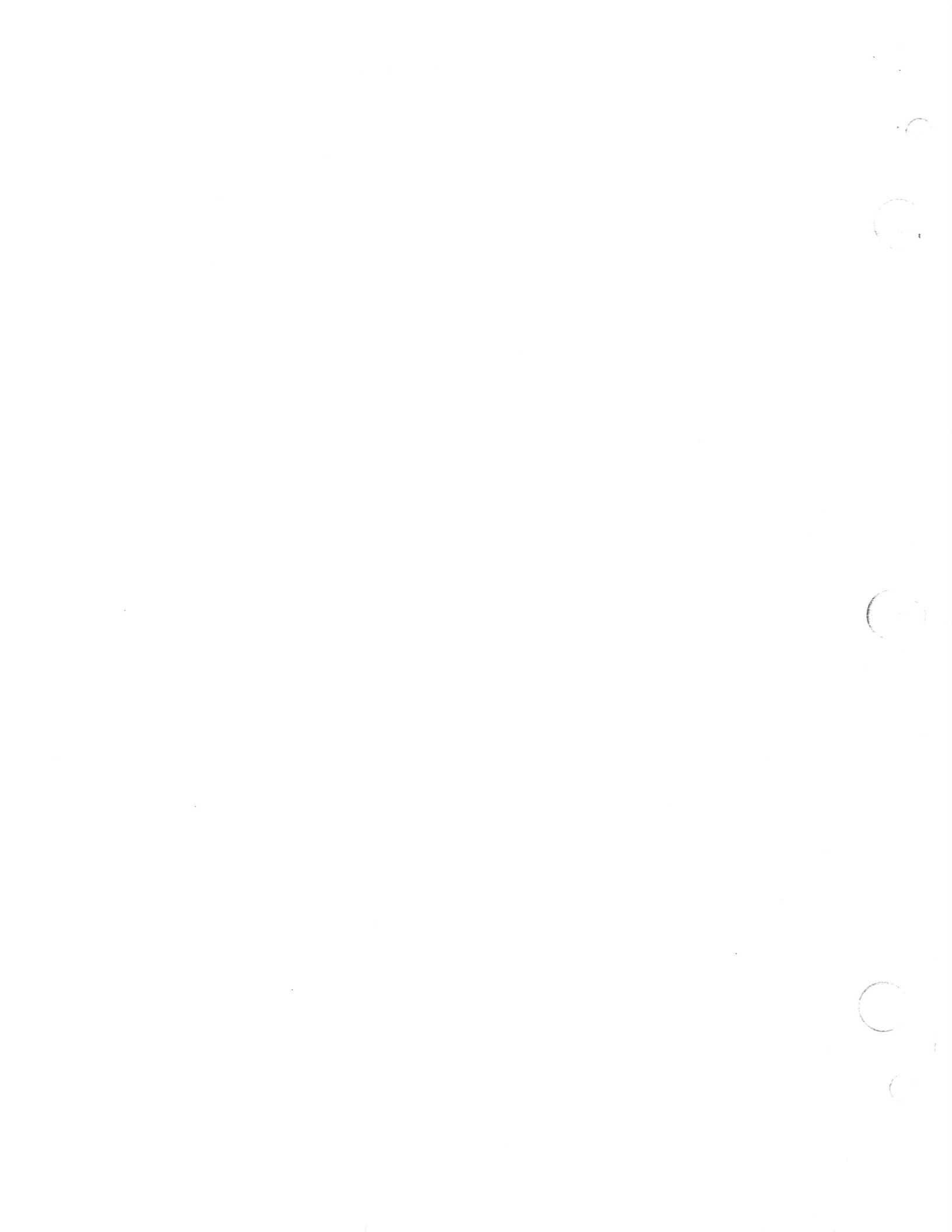
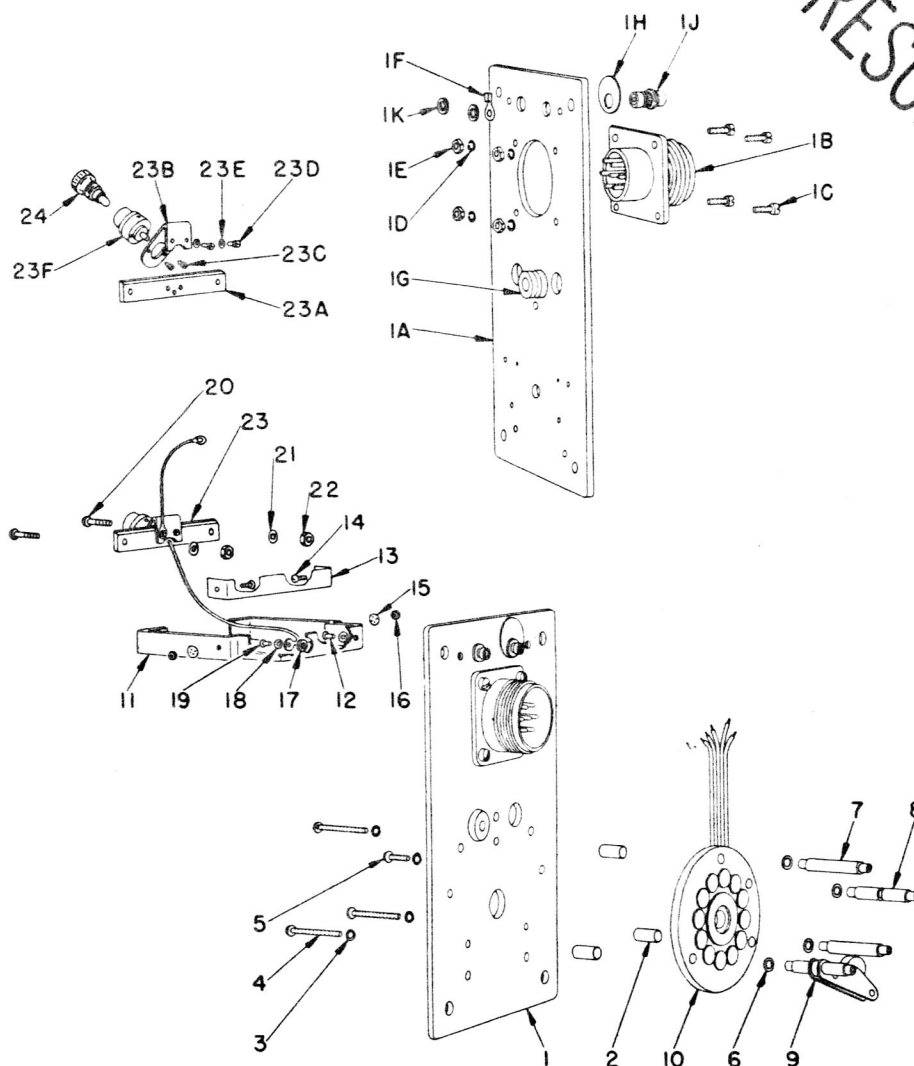


Fig. No.	Index No.	Part No.	Nomenclature	EA-41A-1		EA-41A-2		Units Per Assy
				1	2	4	5	
154	19	AN515B2-3	Screw		x		x	3
154	20	AN515B6-6	Screw		x		x	2
154	21	AN935B6	Washer—Lock		x		x	4
154	22	Comm	Nut, 1-4 Hex 6 32		x		x	2
154	23	EA-4408-2	Illumination Assembly (Center Position)		x		x	1
154	23A	EA-4774-1	Base		x		x	1
154	23B	EA-4767-1	Bracket—Light socket		x		x	1
154	23C	AN501B0-2	Screw		x		x	2
154	23D	AN515B3-3	Screw		x		x	2
154	23E	AN935B4	Washer—Lock		x		x	2
154	23F	EA-4875	Socket Assembly—Illumination		x		x	1
154	24	AC36A3344	Lamp—Illumination		x		x	1
150	2	EA-4786	Stud—Mounting		x		x	3
150	3	EA-47081	Washer		x		x	3
150	4	AN515B4-3	Screw		x		x	4
150	5	AN935B4	Washer—Lock		x		x	4
150	6	EA-48100	Blank—End plate, outer		x		x	1
150	7	EA-4790	Support—Brush		x		x	1
150	8	EA-4793	Disc—Insulator		x		x	2
150	9	EA-4991-1	Cam—Index		x		x	1
150	10	EA-4783	Key		x		x	1
150	11	EA-4703	Brush Assembly—Inner		x		x	1



RESCINDED

Figure 154—Back Plate and Receptacle Assembly

Section II
Group Assembly Parts List

EO 20-85BA-4

Fig. No.	Index No.	Part No.	Nomenclature							EA-41A-1	EA-41A-2	Units Per Assy
			1	2	3	4	5	6	7			
150	12	EA-4887-1								x		1
150	13	AN515B6-6								x		3
150	14	AN935B6								x		3
150	15	EA-47075								x		2
150	16	EA-4406-7								x		1
152	1	EA-4407-7								x		1
153	1	EA-4863								x		1
153	1A	EA-4706								x		1
153	1B	AN935B6								x		1
153	1C	EA-4757								x		2
153	1D	AN515B6-5								x		1
153	2	EA-4862-5								x		1
153	2A	EA-4746-5								x		1
153	2B	EA-4719								x		1
153	2C	EA-47017								x		1
153	3	EA-4757								x		2
153	4	AN935B6								x		2
153	5	AN515B6-8								x		2
153	6	EA-47009								x		1
153	6A	EA-4718								x		1
153	6B	EA-47050								x		1
153	7	EA-4745								x		1
153	8	EA-4719								x		1
153	9	EA-47017								x		1
153	10	EA-47002								x		1
153	11	EA-4720-1								x		1
152	2	EA-4411-2								x		1
152	2A	EA-4409-1								x		1
152	2B	EA-4410								x		1
152	2C	EA-47076								x		2
152	2D	EA-47074								x		4
152	2E	EA-47096								x		1
152	2E1	EA-47071								x		1
152	2E2	EA-47077								x		1
152	2F	EA-4732								x		1
152	2G	EA-47059								x		1
152	2H	EA-49001								x		1
152	5	EA-4412-2								x		1
149	14	EA-47023								x		1
149	15	AN515B2-4								x		10
149	16	AN935B2								x		10
149	17	EA-4749-14-1LY								x		1
149	17	EA-4749-10-1LY								x		1
149	17	EA-4749-11-1LY								x		1
149	17	EA-4749-12-1LY								x		1
149	17	EA-4749-13-1Y								x		1
149	17	EA-4749-15-1Y								x		1
149	17	EA-4749-10-2Y								x		1
149	17	EA-4749-16-1Y								x		1
149	17	EA-4749-17-1Y								x		1
149	17	EA-4749-18-1Y								x		1
149	18	AN340B2								x		10
149	19	AN515B4-3								x		3
149	20	AN935B4								x		9
149	21	EA-4748								x		1
149	22	EA-47024								x		1
149	23	NPH41A-1								x		1
149	23	NPJ41A-2								x		1
149	24	AN430-2-4								x		2
149	25	AN340B4								x		4
149	26	EA-47014								x		2
149	27	Comm								x		2
149	28	EA-47013-3								x		1
149	28	EA-47013-4								x		1
149	29	EA-47015								x		2
149	30	EA-47016								x		2
149	31	EA-47008								x		1

Ratiometer Weston Electrical
Instrument Corp.
SEE SEPARATE PARTS LIST

Fig. No.	Index No.	Part Number	Nomenclature							Units Per Assy	
			1	2	3	4	5	6	7		
DIAL CHANGE INDICATOR EA-41A-6											
149	1	AN515B8-8								Screw	4
149	2	EA-47099-2								Case Assembly	1
149	2A	EA-4712-2								Case	1
149	2B	Comm								Bracket—Anchor nut elastic stop No. 68A7-82 (EA-4758)	4
149	2C	Comm								Nut—Elastic stop No. 68L8-02 (EA-4759)	4
149	2D	EA-47031								Rivet	8
149	3	AN515B2-3								Screw	5
149	4	AN935B2								Washer—Lock	5
149	5	AN515B4-5								Screw	1
149	6	AN935B4								Washer—Lock	1
149	7	EA-4752								Knob—Index	1
149	8	EA-4751								Pin—Knob	1
149	9	EA-4778								Washer—Felt	1
149	10	EA-4750-7-6								Plate—Index	1
149	11	EA-4753								Glass	1
149	12	EA-4754								Gasket—Glass	1
149	13	EA-4401A-71								Plate Assembly—Back	1
150	1	EA-4402-71								Plate Sub Assembly—Back	1
154	1	EA-4403-4								Plate—Receptacle Assembly—Back	1
154	1A	EA-4747-22								Plate—Back	1
154	1B	AN3102-18-1P								Receptacle	1
154	1C	AN500B4-6								Screw	4
154	1D	AN935B4								Washer—Lock	4
154	1E	AN340B4								Nut	4
154	1F	660-51								Lug—Solder	1
154	1G	EA-47025								Grommet, (Goodyear)	1
154	1H	EA-4813								Plate—Illumination name	1
154	1J	10139								Ring—Snap	1
154	1K	10197								Connector Assembly—Electrical	1
154	2	EA-47086								Spacer—Mounting Stud	3
154	3	AN935B4								Washer—Lock	2
154	4	EA-47091								Screw, RH 4 40 x 11/16 in.	3
154	5	AN515B4-4								Screw	1
154	6	EA-47081								Washer	4
154	7	EA-4781								Stud—Spacer	2
154	8	EA-4785								Stud—Spring	1
154	9	EA-4704								Arm Assembly—Index	1
154	10	EA-48102-5								Wire Assembly—End plate inner	1
154	11	EA-47018								Bracket—Light	1
154	12	AN515B6-3								Screw	2
154	13	EA-47027								Stiffener—Bracket	1
154	14	AN515B3-3								Screw	2
154	15	Comm								Washer—Lock No. 4 INT. Shake Proof (EA-4851)	2
154	16	AN340B3								Nut	2
154	17	10125								Insulator	1
154	18	AN935B2								Washer—Lock	3
154	19	AN515B2-3								Screw	3
154	20	AN515B6-6								Screw	2
154	21	AN935B6								Washer—Lock	4
154	22	EA-47012								Nut	2
154	23	EA-4408-2								Illumination Assembly (Center Position)	1
154	23A	EA-4774-1								Base	1
154	23B	EA-4767-1								Bracket—Light Socket	1
154	23C	AN501B0-2								Screw	2
154	23D	AN515B3-3								Screw	2
154	23E	AN935B4								Washer—Lock	2
154	23F	EA-4875								Socket Assembly—Illumination	1
154	24									Lamp—Illumination	1
150	2	EA-4786								Stud—Mounting	3
150	3	EA-47081								Washer	3
150	4	AN515B4-3								Screw	4
150	5	AN935B4								Washer—Lock	4
150	6	EA-48100								Blank—End plate, outer	1
150	7	EA-4790								Support—Brush	1
150	8	EA-4793								Disc—Insulator	2
150	9	EA-4991-1								Cam—Index	1
150	10	EA-4783								Key	1

RESCINDED

Section II

EO 20-85BA-4

Group Assembly Parts List

Fig. No.	Index No.	Part Number	Nomenclature							Units Per Assy	
			1	2	3	4	5	6	7		
150	11	EA-4703-1								Brush Assembly—Inner	1
150	12	EA-4887-1								Spring	1
150	13	AN515B6-6								Screw	3
150	14	AN935B6								Washer—Lock	3
150	15	EA-47075								Spring	2
150	16	EA-4406-7								Mechanism Assembly—Drum	1
152	1	EA-4407-7								Bracket Assembly	1
153	1	EA-4863								Bracket Sub Assembly	1
153	1A	EA-4706								Support Assembly—Ball bearing	1
153	1B	AN935B6								Washer—Lock	1
153	1C	EA-4757								Pin	2
153	1D	AN515B6-5								Screw	1
153	2	EA-4862-5								Shaft Assembly—Switch	1
153	2A	EA-4746-5								Shaft—Switch	1
153	2B	EA-4719								Gear—Spiral	1
153	2C	EA-47017								Pin	1
153	3	EA-4757								Pin	2
153	4	AN935B6								Washer—Lock	2
153	5	AN515B6-8								Screw	2
153	6	EA-47009								Plate Assembly—Bearing	1
153	6A	EA-4718								Plate—Bearing	1
153	6B	EA-47051								Bushing—Bearing	1
153	7	EA-4745								Shaft—Mechanism	1
153	8	EA-4719								Gear—Spiral	1
153	9	EA-47017								Pin	1
153	10	EA-47002								Gear Assembly—Drive	1
153	11	EA-4720-1								Pin	1
152	2	EA-4411-2								Frame Assembly	1
152	2A	EA-4409-1								Arm Assembly—Right frame	1
152	2B	EA-4410								Arm Assembly—Left frame	1
152	2C	EA-47076								Screw	2
152	2D	EA-47074								Pin—Dowel	4
152	2E	EA-47096								Frame Assembly—Stop pin	1
152	2E1	EA-47071								Piece—Frame back	1
152	2E2	EA-47077								Pin—Stop	1
152	2F	EA-4732								Bushing—Gear Center	1
152	2G	AN501B6-6								Screw—Gear center	1
152	2H	EA-49001								Gear Assembly—Driven	1
152	5	EA-4412-2								Drum Assembly	1
149	14	EA-47023								Gasket—Back plate	1
149	15	AN515B2-4								Screw	10
149	16	AN935B2								Washer—Lock	10
149	17	EA-4749								Dial	1
149	17	EA-4749-15-2FM								Dial	1
149	17	EA-4749-10-2FM								Dial	1
149	17	EA-4749-101-1FM								Dial	1
149	17	EA-4749-102-1FM								Dial	1
149	18	AN340B2								Nut	10
149	19	AN515B4-3								Screw	3
149	20	AN935B4								Washer—Lock	9
149	21	EA-4748								Cover—Switch	1
149	22	EA-47024								Gasket—Cover	1
149	23	NPJ41A-6								Plate—Name	1
149	24	AN430-2-4								Rivet	2
149	25	AN340B4								Nut	4
149	26	EA-47014								Washer—Insulator	2
149	27	Comm								Washer—Lock No. 4 INT Shake Proof	2
149	28	EA-47013-3								Resistor	1
149	28	EA-47013-4								Resistor	1
149	29	EA-47015								Spacer	2
149	30	EA-47016								Stud	2
149	31	EA-47008								Ratiometer Weston Electrical Instrument Corp.	1

EA-41A-5—All Parts same as used on EA-41A-6
Except—Dial Part Nos. EA-4749-103-1FM; EA-4749-104-1FM;
EA-4749-105-1FM; EA-4749-4Y; EA-4749
Index Plate No. EA-4750-7-6
Name Plate No. NPJ-41A-6

RESCINDED

Fig. No.	Index No.	Part No.	Nomenclature					Units Per Assy
				EA-46W-1	EA-47W-1	EA-47W-1-24	EA-49W-1	
149	1	AN515B8-8	Screw	x	x	x	x	4
149	2	EA-47099-4	Case Assembly	x	x	x	x	1
149	2A	EA-4712-4	Case	x	x	x	x	1
149	2B	Comm	Bracket—Anchor nut Elastic stop No. 68A7-82 (EA-4758)	x	x	x	x	4
149	2C	Comm	Nut—Elastic stop No. 68L8-02 (EA-4759)	x	x	x	x	4
149	2D	EA-47031	Rivet	x	x	x	x	8
149	3	AN515B2-3	Screw	x	x	x	x	5
149	4	AN935B2	Washer—Lock	x	x	x	x	5
159	5	AN515B4-5	Screw	x	x	x	x	1
149	6	AN935B4	Washer—Lock	x	x	x	x	1
149	7	EA-4752	Knob—Index	x	x	x	x	1
149	8	EA-4751	Pin—Knob	x	x	x	x	1
149	9	EA-4778	Washer—Felt	x	x	x	x	1
149	10	EA-4750W3-1	Plate—Index	x				1
149	10	EA-4750W6-1	Plate—Index		x			1
149	10	EA-4750W6-1-24	Plate—Index			x		1

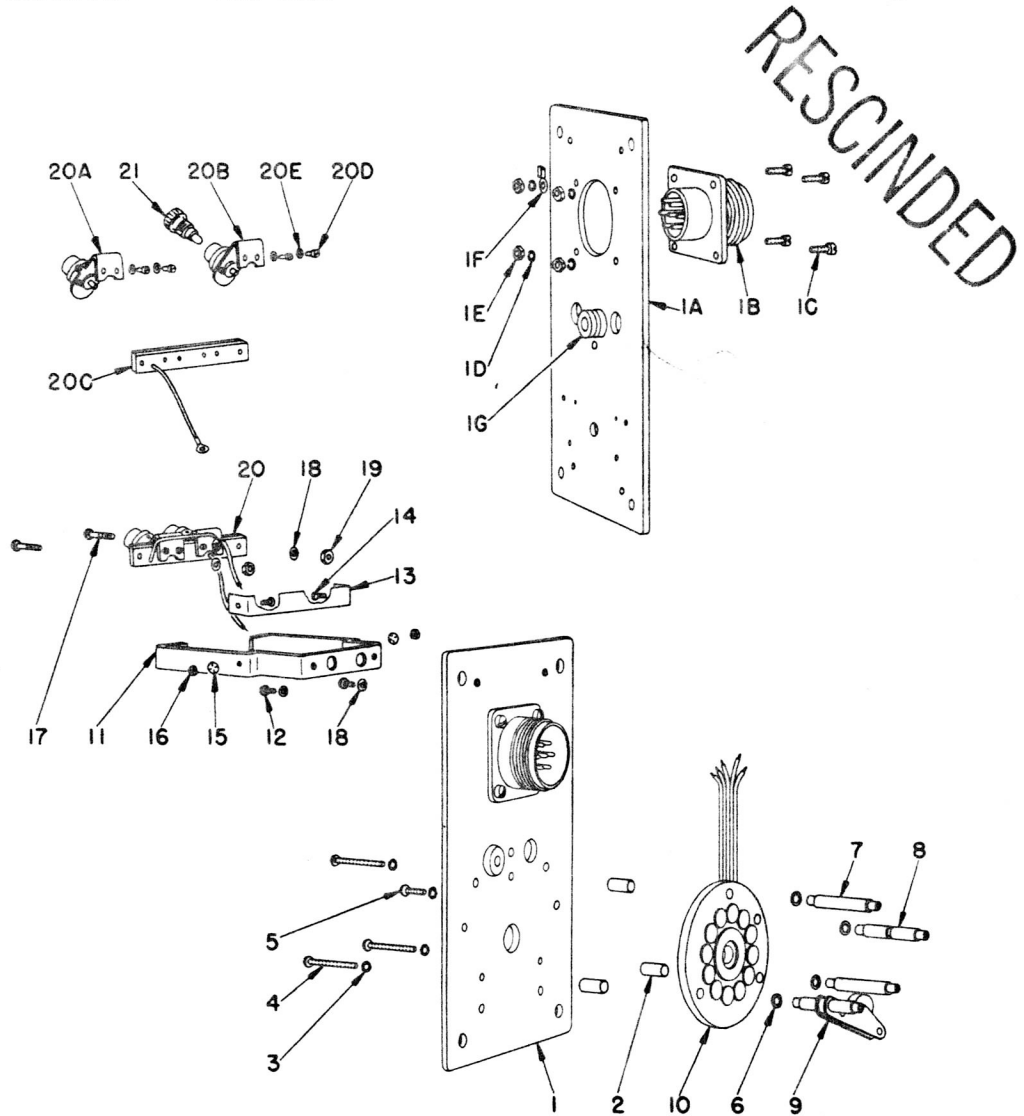


Figure 155—Back Plate and Receptacle Assembly

RESCINDED

Fig. No.	Index No.	Part No.	Nomenclature	Units						
				EA-46W-1	EA-47W-1	EA-47W-1-24	EA-49W-1	Per Assy		
150	16	EA-4406-3	Mechanism Assembly—Drum	x						1
150	16	EA-4406-6	Mechanism Assembly—Drum		x	x				1
150	16	EA-4406-5	Mechanism Assembly—Drum				x			1
152	1	EA-4407-3	Bracket Assembly	x						1
152	1	EA-4407-6	Bracket Assembly		x	x				1
152	1	EA-4407-5	Bracket Assembly					x		1
153	1	EA-4863	Bracket Sub Assembly	x	x	x	x			1
153	1A	EA-4706	Support Assembly—Ball bearing	x	x	x	x			1
153	1B	AN935B6	Washer—Lock	x	x	x	x			1
153	1C	EA-4757	Pin	x	x	x	x			2
153	2	EA-4862-4	Shaft Assembly—Switch	x						1
153	2	EA-4862-1	Shaft Assembly—Switch		x	x				1
153	2	EA-4862-3	Shaft Assembly—Switch					x		1
153	2A	EA-4746-4	Shaft—Switch	x						1
153	2A	EA-4746-1	Shaft—Switch		x	x				1
153	2A	EA-4746-3	Shaft—Switch					x		1
153	2B	EA-4719	Gear—Spiral	x	x	x	x			1
153	2C	EA-47017	Pin	x	x	x	x			1
153	3	EA-4757	Pin	x	x	x	x			2
153	4	AN935B6	Washer—Lock	x	x	x	x			2
153	5	AN515B6-8	Screw	x	x	x	x			2
153	6	EA-47009	Plate Assembly—Bearing		x	x	x			1
153	6A	EA-4718	Plate—Bearing		x	x	x			1
153	6B	EA-47050	Bushing		x	x	x			1
153	7	EA-4745	Shaft—Mechanism	x	x	x	x			1
153	8	EA-4719	Gear—Spiral	x	x	x	x			1
153	9	EA-47017	Pin	x	x	x	x			1
153	10	EA-47002	Gear Assembly—Drive	x	x	x	x			1
153	11	EA-4720-1	Pin	x	x	x	x			1
153	12	EA-4604	Plate Assembly—Bearing	x						1
153	12A	EA-4616	Plate—Bearing	x						1
153	12B	EA-4756	Bushing—Bearing	x						1
153	12C	EA-4757	Pin	x						2
152	2	EA-4411-3	Frame Assembly	x						1
152	2	EA-4411-1	Frame Assembly		x	x				1
152	2	EA-4411-2	Frame Assembly				x			1
152	2A	EA-4409-2	Arm Assembly—Right frame	x						1
152	2A	EA-4409-1	Arm Assembly—Right frame		x	x	x			1
152	2B	EA-4410	Arm Assembly—Left frame	x	x	x	x			1
152	2C	EA-47076	Screw, Binding Head 6 32 x 5/16 in.	x	x	x	x			2
152	2D	EA-47074	Pin—Dowel	x	x	x	x			4
152	2E	EA-47096	Frame Assembly—Stop pin	x	x	x	x			1
152	2E1	EA-47071	Piece—Frame back	x	x	x	x			1
152	2E2	EA-47077	Pin—Stop	x	x	x	x			1
152	2F	EA-4732	Bushing—Gear center	x	x	x	x			1
152	2G	EA-47059	Screw—Gear center	x	x	x	x			1
152	2H	EA-48001	Gear Assembly—Driven	x						1
152	2H	EA-47001	Gear Assembly—Driven		x	x				1
152	2H	EA-49001	Gear Assembly—Driven					x		1
152	3	EA-4412-1	Drum Assembly	x						1
152	4	EA-4412-3	Drum Assembly		x	x				1
152	5	EA-4412-2	Drum Assembly					x		1
149	14	EA-47023	Gasket—Back plate	x	x	x	x			1
149	15	AN515B2-4	Screw	x						8
149	15	AN515B2-4	Screw		x	x				12
149	15	AN515B2-4	Screw					x		10
149	16	AN935B2	Washer—Lock	x						8
149	16	AN935B2	Washer—Lock		x	x				12
149	16	AN935B2	Washer—Lock					x		10
149	17	EA-4749-19-1LY	Dial	x						1
149	17	EA-4749-19-2LY	Dial	x						1
149	17	EA-4749	Dial	x						1
149	17	EA-4749-25-1RY	Dial		x	x				1
149	17	EA-4749-25-2RY	Dial		x	x				1
149	17	EA-4749-26-1RY	Dial		x	x				1
149	17	EA-4749-26-2RY	Dial		x	x				1

Section II
Group Assembly Parts List

EO 20-85BA-4

Fig. No.	Index No.	Part No.	Nomenclature							EA-46W-1	EA-47W-1	EA-47W-1-24	EA-49W-1	Units Per Assy
			1	2	3	4	5	6	7					
149	17	EA-4749-27-1RY												1
149	17	EA-4749-27-2RY								x		x		1
149	17	EA-4749-21-1LY								x		x		1
149	17	EA-4749-21-2LY										x		1
149	17	EA-4749-22-1LY										x		1
149	17	EA-4749-22-2LY										x		1
149	17	EA-4749-23-3LY										x		1
149	18	AN340B2								x				1
149	18	AN340B2												8
149	18	AN340B2								x				12
149	19	AN515B4-3										x		10
149	20	AN935B4								x	x	x	x	3
149	21	EA-4748								x	x	x	x	3
149	22	EA-47024								x	x	x	x	1
149	23	NPK46W-1								x	x	x	x	1
149	23	NPK47W-1								x				1
149	23	NPK47W-1-24									x			1
149	23	NPK49W-1												1
149	24	AN430-2-4											x	1
149	25	AN340B4								x	x	x	x	2
149	26	EA-47014								x	x	x	x	8
149	27	Comm								x	x	x	x	4
149	28	EA-47013-2								x	x	x	x	4
149	28	EA-47013-6								x				1
149	28	EA-47013-9								x				2
149	28	EA-47013-1								x				1
149	28	EA-47013-3									x			1
149	28	EA-47013-10									x			2
149	28	EA-47013-2									x			1
149	28	EA-47013-6										x		1
149	28	EA-47013-8										x		2
149	28	EA-47013-7										x		1
149	28	EA-47013-3											x	1
149	28	EA-47013-1											x	2
149	29	EA-47015											x	1
149	30	EA-47016											x	4
149	31	EA-47008											x	4
										x	x	x	x	1

Instrument Corp.
SEE SEPARATE PARTS LIST

Fig. No.	Index No.	Part No.	Nomenclature							EA-47AW-4	EA-47AW-5	EA-48AW-1	EA-48AW-2	EA-48AW-6	EA-49AW-2	EA-49AW-3	EA-49AW-7	Units Per Assy
			1	2	3	4	5	6	7									
149	1	AN515B8-8								x	x	x	x	x	x	x	x	4
149	2	EA-47099-2								x	x							1
149	2	EA-47099-4										x	x	x	x	x	x	1
149	2A	EA-4712-2								x	x							1
149	2A	EA-4712-4										x	x	x	x	x	x	1
149	2B	Comm								x	x	x	x	x	x	x	x	4
149	2C	Comm								x	x	x	x	x	x	x	x	4
149	2D	EA-47031																
149	3	AN515B2-3								x	x	x	x	x	x	x	x	8
149	4	AN935B2								x	x	x	x	x	x	x	x	5
149	5	AN515B4-5								x	x	x	x	x	x	x	x	5
149	6	AN935B4								x	x	x	x	x	x	x	x	1
149	7	EA-4752								x	x	x	x	x	x	x	x	1
149	8	EA-4751								x	x	x	x	x	x	x	x	1
149	9	EA-4778								x	x	x	x	x	x	x	x	1
149	10	EA-4750W6-4								x								1
149	10	EA-4750W6-5									x							1

RESCINDED

Fig. No.	Index No.	Part No.	Nomenclature								Units Per Assy		
				EA-47AW-4	EA-47AW-5	EA-48AW-1	EA-48AW-2	EA-48AW-6	EA-49AW-2	EA-49AW-3		EA-49AW-7	
149	10	EA-4750W4-1	Plate—Index			x							1
149	10	EA-4750W4-2	Plate—Index				x						1
149	10	EA-4750W4-6	Plate—Index					x					1
149	10	EA-4750W5-2	Plate—Index						x				1
149	10	EA-4750W5-3	Plate—Index							x			1
149	10	EA-4750W5-7	Plate—Index									x	1
149	11	EA-4753	Glass	x	x	x	x	x	x	x	x	x	1
149	12	EA-4754	Gasket—Glass	x	x	x	x	x	x	x	x	x	1
149	13	EA-4401-62	Plate Assembly—Back	x	x								1
149	13	EA-4401-42	Plate Assembly—Back			x	x	x					1
149	13	EA-4401-52	Plate Assembly—Back						x	x			1
149	13	EA-4401-51	Plate Assembly—Back									x	1
150	1	EA-4402-62	Plate Sub Assembly—Back	x	x								1
150	1	EA-4402-42	Plate Sub Assembly—Back			x	x	x					1
150	1	EA-4402-52	Plate Sub Assembly—Back						x	x			1
150	1	EA-4402-51	Plate Sub Assembly—Back									x	1
156	1	EA-4403-8	Plate and Receptacle Assembly—Back	x	x							x	1
156	1	EA-4403-5	Plate and Receptacle Assembly—Back			x	x	x					1
156	1	EA-4403-11	Plate and Receptacle Assembly—Back						x	x			1
156	1A	EA-4747-34	Plate—Back	x	x							x	1
156	1A	EA-4747-32	Plate—Back			x	x	x					1
156	1A	EA-4747-27	Plate—Back						x	x			1
156	1B	AN3102-20-1P	Receptacle	x	x							x	1
156	1B	AN3102-18-1P	Receptacle			x	x	x					1
156	1B	E-1003-1-10	Receptacle						x	x			1
156	1C	AN500B4-6	Screw	x	x	x	x	x	x	x	x	x	4
156	1D	AN935B4	Washer—Lock	x	x	x	x	x	x	x	x	x	4
156	1E	AN340B4	Nut	x	x	x	x	x	x	x	x	x	4
156	1F	660-51	Lug—Solder	x	x	x	x	x	x	x	x	x	1
156	1G	EA-47025	Grommet	x	x	x	x	x	x	x	x	x	2
156	1H	EA-4813	Plate—Illumination Name	x	x	x	x	x	x	x	x	x	1
156	1J	EA-4814	Plate—Warning Name	x	x	x	x	x					1
156	1K	10197	Connector Assembly—Electrical	x	x	x	x	x					2
156	1K	10197	Connector Assembly—Electrical						x	x			1
156	1L	10139	Ring—Snap	x	x	x	x	x				x	2
156	1L	10139	Ring—Snap						x	x			1
156	2	EA-47086	Spacer—Mounting stud	x	x	x	x	x	x	x	x	x	3
156	3	AN935B4	Washer—Lock	x	x	x	x	x	x	x	x	x	4
156	4	EA-47091	Screw, RH 4 40 x 11/16 in.	x	x	x	x	x	x	x	x	x	3
156	5	AN515B4-4	Screw	x	x	x	x	x	x	x	x	x	1
156	6	EA-47081	Washer	x	x	x	x	x	x	x	x	x	4
156	7	EA-4781	Stud—Spacer	x	x	x	x	x	x	x	x	x	2
156	8	EA-4785	Stud—Spring	x	x	x	x	x	x	x	x	x	1
156	9	EA-4704	Arm Assembly—Index	x	x	x	x	x	x	x	x	x	1
156	10	EA-48122-5	Wiring Assembly—End plate, Inner	x	x								1
156	10	EA-48122-9	Wiring Assembly—End plate, Inner			x	x	x					1
156	10	EA-48102-1	Wiring Assembly—End plate, Inner						x	x			1
156	10	EA-48102-3	Wiring Assembly—End plate, Inner									x	1
156	11	EA-47018	Bracket—Light	x	x	x	x	x	x	x	x	x	1
156	12	AN515B6-3	Screw	x	x	x	x	x	x	x	x	x	2
156	13	EA-47027	Stiffener—Bracket	x	x	x	x	x	x	x	x	x	1
156	14	AN515B3-3	Screw	x	x	x	x	x	x	x	x	x	2
156	15	Comm	Washer—Lock, No. 4 int. Shake— Proof (EA-4851)	x	x	x	x	x	x	x	x	x	2
156	16	AN340B-3	Nut	x	x	x	x	x	x	x	x	x	2
156	17	10125	Insulator	x	x	x	x	x					2
156	17	10125	Insulator						x	x			1
156	18	AN935B2	Washer—Lock	x	x	x	x	x				x	2
156	18	AN935B2	Washer—Lock						x	x			1
156	19	AN515B2-3	Screw	x	x	x	x	x				x	2
156	19	AN515B2-3	Screw						x	x			1
156	20	AN515B6-6	Screw	x	x	x	x	x	x	x	x	x	2
156	21	AN935B6	Washer—Lock	x	x	x	x	x	x	x	x	x	4
156	22	EA-47012	Nut	x	x	x	x	x	x	x	x	x	2
156	23	EA-4408-4	Light Assembly—Warning and Illumination	x	x	x	x	x	x	x	x	x	1

Section II
Group Assembly Parts List

EO 20-85BA-4

Fig. No.	Index No.	Part No.	Nomenclature								Units Per Assy	
				EA-47AW-4	EA-47AW-5	EA-48AW-1	EA-48AW-2	EA-48AW-6	EA-49AW-2	EA-49AW-3		EA-49AW-7
156	23A	AN515B3-3	Screw	x	x	x	x	x	x	x	x	4
156	23B	AN935B4	Washer—Lock	x	x	x	x	x	x	x	x	4
156	23C	EA-4869-2	Light Sub Assembly—Warning	x	x	x	x	x	x	x	x	1
156	23D	EA-4873	Illumination Sub Assembly	x	x	x	x	x	x	x	x	1
156	23E	EA-4865	Base Assembly	x	x	x	x	x	x	x	x	1
156	23F	AC39A39063	Lamp—Warning	x	x	x	x	x	x	x	x	1
156	23G	AC36A3344	Lamp—Illumination	x	x	x	x	x	x	x	x	1
150	2	EA-4786	Stud—Mounting	x	x	x	x	x	x	x	x	2
150	3	EA-47081	Washer	x	x	x	x	x	x	x	x	7
150	4	AN515B4-3	Screw	x	x	x	x	x	x	x	x	1
150	5	AN935B4	Washer—Lock	x	x	x	x	x	x	x	x	1

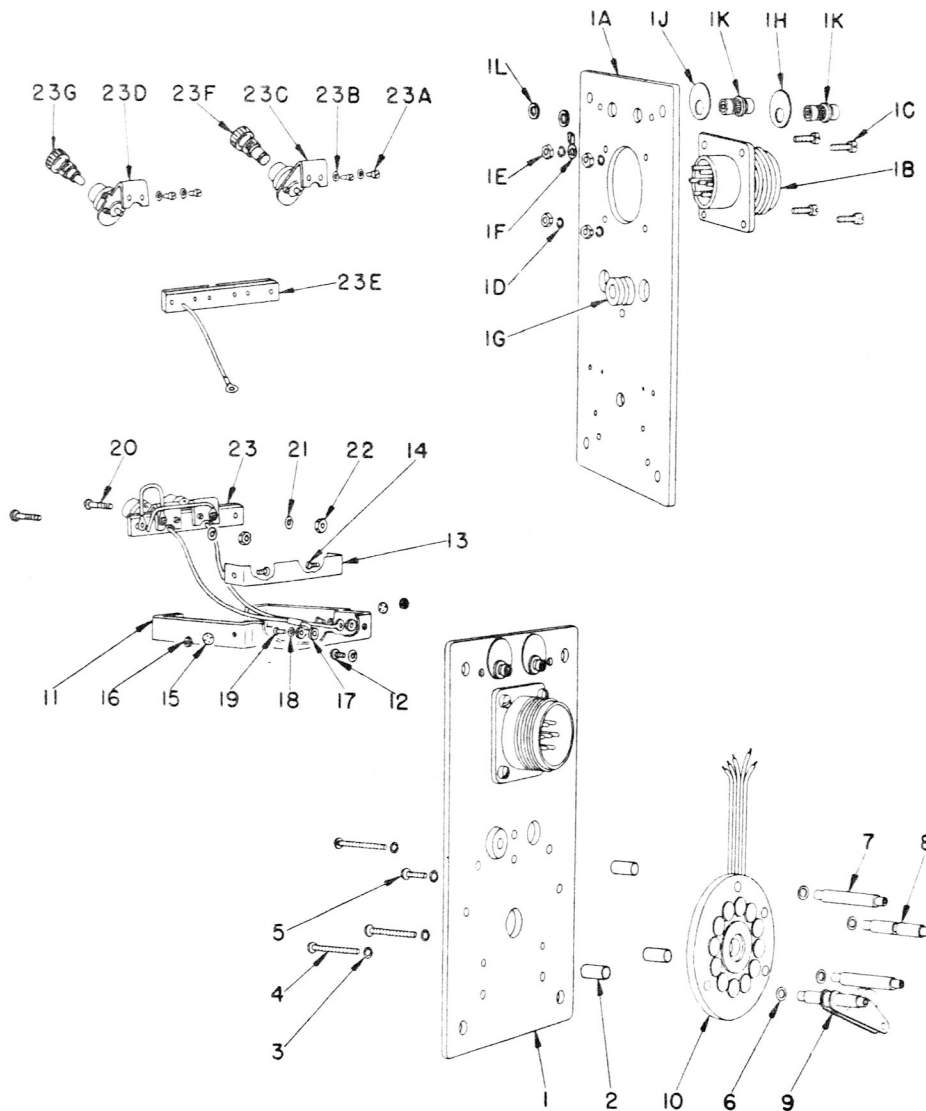


Figure 156—Back Plate and Receptacle Assembly

RESCINDED

Fig. No.	Index No.	Part No.	Nomenclature								Units Per Assy				
				1	2	3	4	5	6	7					
150	6	EA-48122-6	Wiring Assembly—End-plate, outer	x	x										1
150	6	EA-48122-10	Wiring Assembly—End-plate, outer												1
150	6	EA-48102-2	Wiring Assembly—End-plate, outer												1
150	6	EA-48102-4	Wiring Assembly—End-plate, outer												1
150	7	EA-4702	Brush Assembly—Outer	x	x	x	x	x	x	x	x	x	x		1
150	8	EA-4793	Disc—Insulator	x	x	x	x	x	x	x	x	x	x		1
150	9	EA-4791	Cam—Index	x	x										1
150	9	EA-4891	Cam—Index				x	x	x						1
150	9	EA-4991	Cam—Index							x	x	x			1
150	10	EA-4783	Key	x	x	x	x	x	x	x	x	x	x		1
150	11	EA-4703	Brush Assembly—Inner	x	x	x	x	x	x	x	x	x	x		1
150	12	EA-4887-1	Spring	x	x	x	x	x	x	x	x	x	x		1
150	13	AN515B6-6	Screw	x	x	x	x	x	x	x	x	x	x		3
150	14	AN935B6	Washer—Lock	x	x	x	x	x	x	x	x	x	x		3
150	15	EA-47075	Spring	x	x	x	x	x	x	x	x	x	x		2
150	16	EA-4406-6	Mechanism Assembly—Drum	x	x										1
150	16	EA-4406-4	Mechanism Assembly—Drum				x	x	x						1
150	16	EA-4406-5	Mechanism Assembly—Drum							x	x	x			1
152	1	EA-4407-6	Bracket Assembly	x	x										1
152	1	EA-4407-4	Bracket Assembly				x	x	x						1
152	1	EA-4407-5	Bracket Assembly							x	x	x			1
153	1	EA-4863	Bracket Sub Assembly	x	x	x	x	x	x	x	x	x	x		1
153	1A	EA-4706	Support Assembly—Ball Bearing	x	x	x	x	x	x	x	x	x	x		1
153	1B	AN935B6	Washer—Lock	x	x	x	x	x	x	x	x	x	x		1
153	1C	EA-4757	Pin	x	x	x	x	x	x	x	x	x	x		2
153	1D	AN515B6-5	Screw	x	x	x	x	x	x	x	x	x	x		1
153	2	EA-4862-1	Shaft Assembly—Switch	x	x										1
153	2	EA-4862-2	Shaft Assembly—Switch												1
153	2	EA-4862-3	Shaft Assembly—Switch				x	x	x						1
153	2A	EA-4746-1	Shaft—Switch	x	x										1
153	2A	EA-4746-2	Shaft—Switch				x	x	x						1
153	2A	EA-4746-3	Shaft—Switch							x	x	x			1
153	2B	EA-4719	Gear—Spiral	x	x	x	x	x	x	x	x	x	x		1
153	2C	EA-47017	Pin	x	x	x	x	x	x	x	x	x	x		1
153	3	EA-4757	Pin	x	x	x	x	x	x	x	x	x	x		2
153	4	AN935B6	Washer—Lock	x	x	x	x	x	x	x	x	x	x		2
153	5	AN515B6-8	Screw	x	x	x	x	x	x	x	x	x	x		2
153	6	EA-47009	Plate Assembly—Bearing	x	x	x	x	x	x	x	x	x	x		1
153	6A	EA-4718	Plate—Bearing	x	x	x	x	x	x	x	x	x	x		1
153	6B	EA-47050	Bushing—Bearing	x	x	x	x	x	x	x	x	x	x		1
153	7	EA-4745	Shaft—Mechanism	x	x	x	x	x	x	x	x	x	x		1
153	8	EA-4719	Gear—Spiral	x	x	x	x	x	x	x	x	x	x		1
153	9	EA-47017	Pin	x	x	x	x	x	x	x	x	x	x		1
153	10	EA-47002	Gear Assembly—Drive	x	x	x	x	x	x	x	x	x	x		1
153	11	EA-4720-1	Pin	x	x	x	x	x	x	x	x	x	x		1
152	2	EA-4411-1	Frame Assembly	x	x										1
152	2	EA-4411-3	Frame Assembly				x	x	x						1
152	2	EA-4411-2	Frame Assembly							x	x	x			1
152	2A	EA-4409-1	Arm Assembly—Right frame	x	x					x	x	x			1
152	2A	EA-4409-2	Arm Assembly—Right frame												1
152	2B	EA-4410	Arm Assembly—Left frame	x	x	x	x	x	x	x	x	x	x		1
152	2C	EA-47076	Screw	x	x	x	x	x	x	x	x	x	x		2
152	2D	EA-47074	Pin—Dowel	x	x	x	x	x	x	x	x	x	x		4
152	2E	EA-47096	Frame Assembly—Stop pin	x	x	x	x	x	x	x	x	x	x		1
152	2E1	EA-47071	Pin—Frame back	x	x	x	x	x	x	x	x	x	x		1
152	2E2	EA-47077	Pin—Stop	x	x	x	x	x	x	x	x	x	x		1
152	2F	EA-4732	Bushing—Gear center	x	x	x	x	x	x	x	x	x	x		1
152	2G	EA-47059	Screw—Gear center	x	x	x	x	x	x	x	x	x	x		1
152	2H	EA-47001	Gear Assembly—Driven	x	x										1
152	2H	EA-48001	Gear Assembly—Driven				x	x	x						1
152	2H	EA-49001	Gear Assembly—Driven							x	x	x			1
152	3	EA-4412-1	Drum Assembly				x	x	x						1
152	4	EA-4412-3	Drum Assembly	x	x										1
152	5	EA-4412-2	Drum Assembly							x	x	x			1
149	14	EA-47023	Gasket—Back plate	x	x	x	x	x	x	x	x	x	x		1
149	15	AN515B2-4	Screw	x	x										12

RESCINDED

Fig. No.	Index No.	Part No.	Nomenclature								Units Per Assy		
				EA-47AW-4	EA-47AW-5	EA-48AW-1	EA-48AW-2	EA-48AW-6	EA-49AW-2	EA-49AW-3		EA-49AW-7	
149	28	EA-47013-7	Resistor							x			1
149	28	EA-47013-6	Resistor									x	1
149	29	EA-47015	Spacer	x	x	x	x	x	x	x	x	x	1
149	30	EA-47016	Stud	x	x	x	x	x	x	x	x	x	1
149	31	EA-47008	Ratiometer, Weston Electrical Instrument Corp. SEE SEPARATE PARTS LIST	x	x	x	x	x	x	x	x	x	1

Fig. No.	Index No.	Part No.	Nomenclature						Units Per Assy	
				EA-47	EA-46	EA-47	EA-48	EA-49		
157		111482	Assembly—Ratiometer Mechanism, Weston Electrical Instrument Corp., Mod. 9969, Type 6 Liquidometer No. (EA-47008)	x		x		x		1
158	50	111487	Element Assembly—Moving							
159	21	111641	Coil—Moving	x	x	x	x	x		1
159	22	89179	Spring—Mounted (2.5 Test)	x	x	x	x	x		2
159	23	22960	Nut	x	x	x	x	x		2
159	24	88239	Pivot	x	x	x	x	x		2
159	25	100294	Pointer—Mounted	x	x	x	x	x		1
159	26	111771	Weight—Spiral balance	x	x	x	x	x		1
159	26	72069	Weight—Spiral balance	x	x	x	x	x		AR
159	26	72068	Weight—Spiral balance	x	x	x	x	x		2
159	26	103719	Weight—Spiral balance	x	x	x	x	x		1
159	26	71438	Weight—Spiral balance	x	x	x	x	x		1
159	26	71437	Weight—Spiral balance	x	x	x	x	x		1
159	27	71436	Weight—Tail	x	x	x	x	x		AR
159	27	73690	Weight—Tail	x	x	x	x	x		1
159	27	76550	Weight—Tail	x	x	x	x	x		1
159	27	77824	Weight—Tail	x	x	x	x	x		1
159	27	82089	Weight—Tail	x	x	x	x	x		1
159	27	105494	Weight—Tail	x	x	x	x	x		1
159	28	43652	Bushing—Insulating	x	x	x	x	x		1
159	29	109697	Terminal	x	x	x	x	x		1
159	30	109377	Spring—Mounted, Inner	x	x	x	x	x		1
159	31	84158	Bushing	x	x	x	x	x		1
159	32	84156	Guard—Spring	x	x	x	x	x		1
159	33	111485	Plate—Mounted movement	x	x	x	x	x		1
159	34	111489	Spool—Resistance (2 windings, 30 OHMS each)	x	x	x	x	x		1
159	35	102401	Screw	x	x	x	x	x		1
159	36	111488	Spool Resistance (115 OHMS)	x	x	x	x	x		1
159	37	77276	Washer—Lock	x	x	x	x	x		3
159	38	73347	Screw	x	x	x	x	x		3
159	39	109722	Spool—Resistance	x	x	x	x	x		2
159	36	111488	Spool—Resistance	x	x	x	x	x		AR
158	31	106599	Pole—Piece mounted	x	x	x	x	x		1 pr.
158	32	111424	Stud (Pole piece)	x	x	x	x	x		2
158	33	ND21902	Washer—Lock	x	x	x	x	x		2
158	34	111091	Nut	x	x	x	x	x		2
158	35	20955	Bushing—Insulator	x	x	x	x	x		4
158	36	89489	Bridge—Mounted	x	x	x	x	x		2
158	37	106939	Screw—Mounted jewel	x	x	x	x	x		2
158	38	84331	Terminal	x	x	x	x	x		2
158	39	111435	Washer	x	x	x	x	x		2
158	40	24541	Washer	x	x	x	x	x		2
158	41	23320	Washer—Metal	x	x	x	x	x		4
158	42	27088	Washer—Lock	x	x	x	x	x		4
158	43	14765	Screw	x	x	x	x	x		4
158	44	110189	Core	x	x	x	x	x		1
158	45	ND21754	Washer—Lock	x	x	x	x	x		1
158	46	110805	Screw	x	x	x	x	x		1

Section II
Group Assembly Parts List

EO 20-85BA-4

Fig. No.	Index No.	Part No.	Nomenclature						Units						
				1	2	3	4	5	6	7	EA-41	EA-46	EA-47	EA-48	EA-49
158	47	100441	Bracket—Core							x	x	x	x	x	1
158	48	33311	Washer—Lock							x	x	x	x	x	3
158	49	105324	Screw							x	x	x	x	x	3
158	50	111487	Element Assembled—Moving							x	x	x	x	x	1
158	51	43775	Bushing—Insulator							x	x	x	x	x	1
158	52	89497	Washer							x	x	x	x	x	1
158	53	84289	Abutment							x	x	x	x	x	1
158	54	111490	Spring Mounted Cushion							x	x	x	x	x	1
157	1	111307	Scale Corrector—Magnetic							x	x	x	x	x	2
157	2	52438	Screw							x	x	x	x	x	1
157	3	83676	Magnet							x	x	x	x	x	2
157	4	111423	Stud							x	x	x	x	x	1
157	5	24035	Washer							x	x	x	x	x	1
157	6	27197	Washer—Lock							x	x	x	x	x	1
157	7	24033	Nut							x	x	x	x	x	1
157	8	116416	Clamp							x	x	x	x	x	1
157	9	ND17747	Screw							x	x	x	x	x	1
157	10	100440	Base							x	x	x	x	x	2
157	11	ND21902	Washer—Lock							x	x	x	x	x	1
157	12	111091	Nut							x	x	x	x	x	3
157	13	EA-4716	Shield—Ratiometer							x	x	x	x	x	3

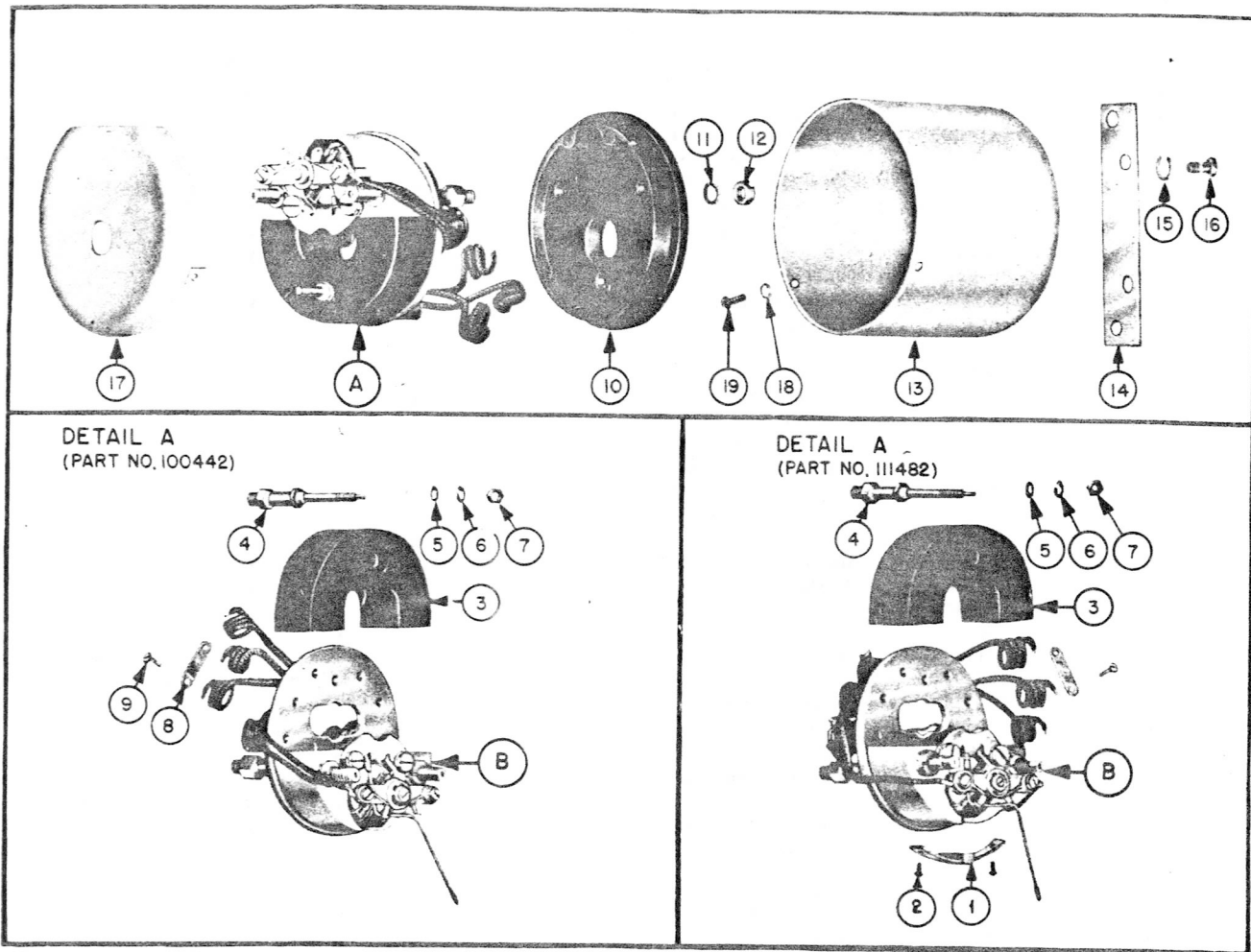


Figure 157—Ratiometer

RESCINDED

EO 20-85BA-4

Section II
Group Assembly Parts List

Fig. No.	Index No.	Part No.	Nomenclature	Units					
				EA-41	EA-46	EA-47	EA-48	EA-49	Per Assy
157	14	EA-4717	Bracket—Mounting	x	x	x	x	x	2
157	15	2771	Washer—Lock	x	x	x	x	x	4
157	16	89576	Screw	x	x	x	x	x	4
157	17	EA-47007	Cover Assembly	x	x	x	x	x	1
157	18	AN935B2	Washer—Lock	x	x	x	x	x	2
157	19	AN515B2-3	Screw	x	x	x	x	x	2

Fig. No.	Index No.	Part No.	Nomenclature	Units					
				EA-41	EA-46	EA-47	EA-48	EA-49	Per Assy
157		100442	Assembly—Ratiometer Mechanism, Replaced with Type 6	x	x	x	x	x	1
158	23	110030	Element Assembly—Moving	x	x	x	x	x	1
159	1	84141	Coil—Moving	x	x	x	x	x	1
159	2	43652	Bushing—Insulating	x	x	x	x	x	2
159	3	109697	Terminal	x	x	x	x	x	2
159	4	84286	Spring—Mounted (0.6 Test)	x	x	x	x	x	2
159	5	84158	Bushing	x	x	x	x	x	2
159	6	84156	Guard—Spring	x	x	x	x	x	2
159	7	89179	Spring—Mounted (2.5 Test)	x	x	x	x	x	2
159	8	22960	Nut	x	x	x	x	x	2
159	9	69677	Pivot	x	x	x	x	x	2
159	10	100294	Pointer—Mounted	x	x	x	x	x	1
159	11	72069	Weight—Spiral balance	x	x	x	x	x	1
159	11	72068	Weight—Spiral balance	x	x	x	x	x	1
159	11	71437	Weight—Spiral balance	x	x	x	x	x	AR
159	11	103719	Weight—Spiral balance	x	x	x	x	x	2
159	11	111771	Weight—Spiral balance	x	x	x	x	x	1
159	11	71438	Weight—Spiral balance	x	x	x	x	x	1
159	12	71436	Nut—Balance tail	x	x	x	x	x	1
159	12	73690	Nut—Balance tail	x	x	x	x	x	1
159	12	76550	Nut—Balance tail	x	x	x	x	x	AR
159	12	77824	Nut—Balance tail	x	x	x	x	x	1
159	12	82089	Nut—Balance tail	x	x	x	x	x	1
159	12	105494	Nut—Balance tail	x	x	x	x	x	1
159	13	105484	Plate—Mounted movement	x	x	x	x	x	1
159	14	106342	Spool—Resistance (105 OHMS)	x	x	x	x	x	AR
159	14	106341	Spool—Resistance (140 OHMS)	x	x	x	x	x	1
159	15	111489	Spool—Resistance (2 windings, 30 OHMS each)	x	x	x	x	x	1
159	16	103775	Spool—Resistance (120 OHMS)	x	x	x	x	x	1
159	17	102401	Screw	x	x	x	x	x	4
158	1	92142	Pole—Piece Mounted	x	x	x	x	x	1 pr.
158	2	84292	Stud—Pole piece	x	x	x	x	x	2
158	3	ND11983	Washer—Lock	x	x	x	x	x	2
158	4	52435	Nut	x	x	x	x	x	2
158	5	43775	Bushing—Insulator	x	x	x	x	x	2
158	6	89497	Washer—Insulator	x	x	x	x	x	2
158	7	84289	Abutment	x	x	x	x	x	2
158	8	20955	Bushing—Insulator	x	x	x	x	x	4
158	9	89489	Bridge—Assembled	x	x	x	x	x	2
158	10	21016	Screw—Jewel	x	x	x	x	x	2
158	11	84331	Terminal	x	x	x	x	x	2
158	12	111435	Washer—Insulator	x	x	x	x	x	2
158	13	24541	Washer	x	x	x	x	x	2
158	14	23320	Washer—Metal	x	x	x	x	x	4
158	15	27088	Washer—Lock	x	x	x	x	x	4
158	16	14765	Screw	x	x	x	x	x	4
158	17	84155	Core	x	x	x	x	x	1
158	18	110805	Screw	x	x	x	x	x	1
158	19	ND21754	Washer—Lock	x	x	x	x	x	1
158	20	100441	Bracket—Core	x	x	x	x	x	1
158	21	33311	Washer—Lock	x	x	x	x	x	3
158	22	105324	Screw	x	x	x	x	x	3
158	23	110030	Element Assembled—Moving	x	x	x	x	x	1
158	24	111490	Spring Mounted—Cushion	x	x	x	x	x	2

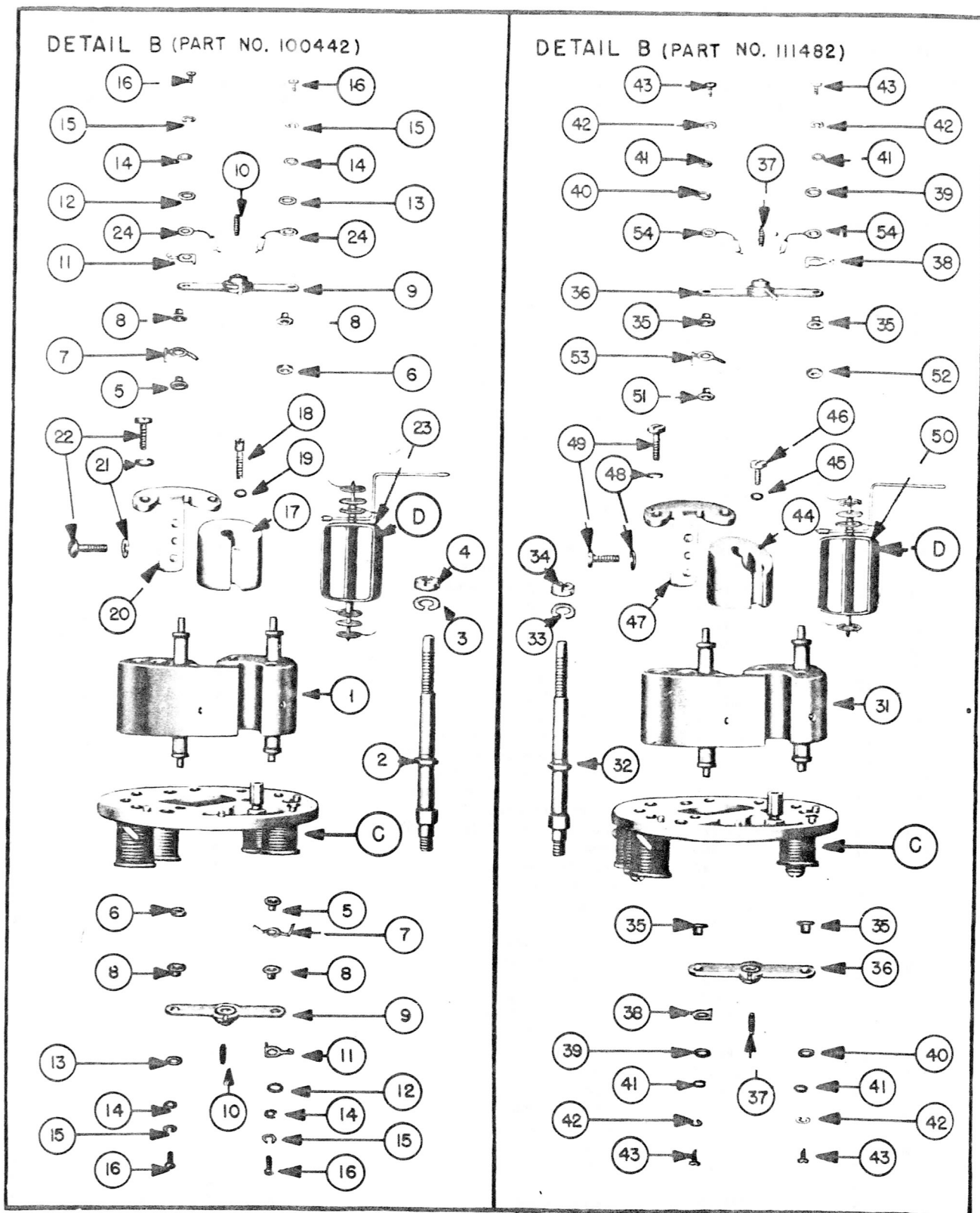


Figure 158—Ratiometer Mechanism

Fig. No.	Index No.	Part No.	Nomenclature						Units	
				EA-41	EA-46	EA-47	EA-48	EA-49	Per Assy	
157	3	83676	Magnet	x	x	x	x	x	1	
157	4	84291	Stud-Magnet	x	x	x	x	x	1	
157	5	24035	Washer	x	x	x	x	x	1	
157	6	27197	Washer-Lock	x	x	x	x	x	1	
157	7	24033	Nut	x	x	x	x	x	1	
157	8	116416	Clamp	x	x	x	x	x	1	
157	9	ND17747	Screw	x	x	x	x	x	2	
157	10	100440	Base	x	x	x	x	x	1	
157	11	ND11983	Washer-Lock	x	x	x	x	x	3	
157	12	52435	Nut	x	x	x	x	x	3	
157	13	EA-4716	Shield-Ratiometer	x	x	x	x	x	1	
157	14	EA-4717	Bracket-Mounting	x	x	x	x	x	2	
157	15	27771	Washer-Lock	x	x	x	x	x	4	
157	16	89576	Screw	x	x	x	x	x	4	
157	17	EA-47007	Cover Assembly	x	x	x	x	x	1	
157	18	AN935B2	Washer-Lock	x	x	x	x	x	2	
157	19	AN515B2-3	Screw	x	x	x	x	x	2	

RESCINDED

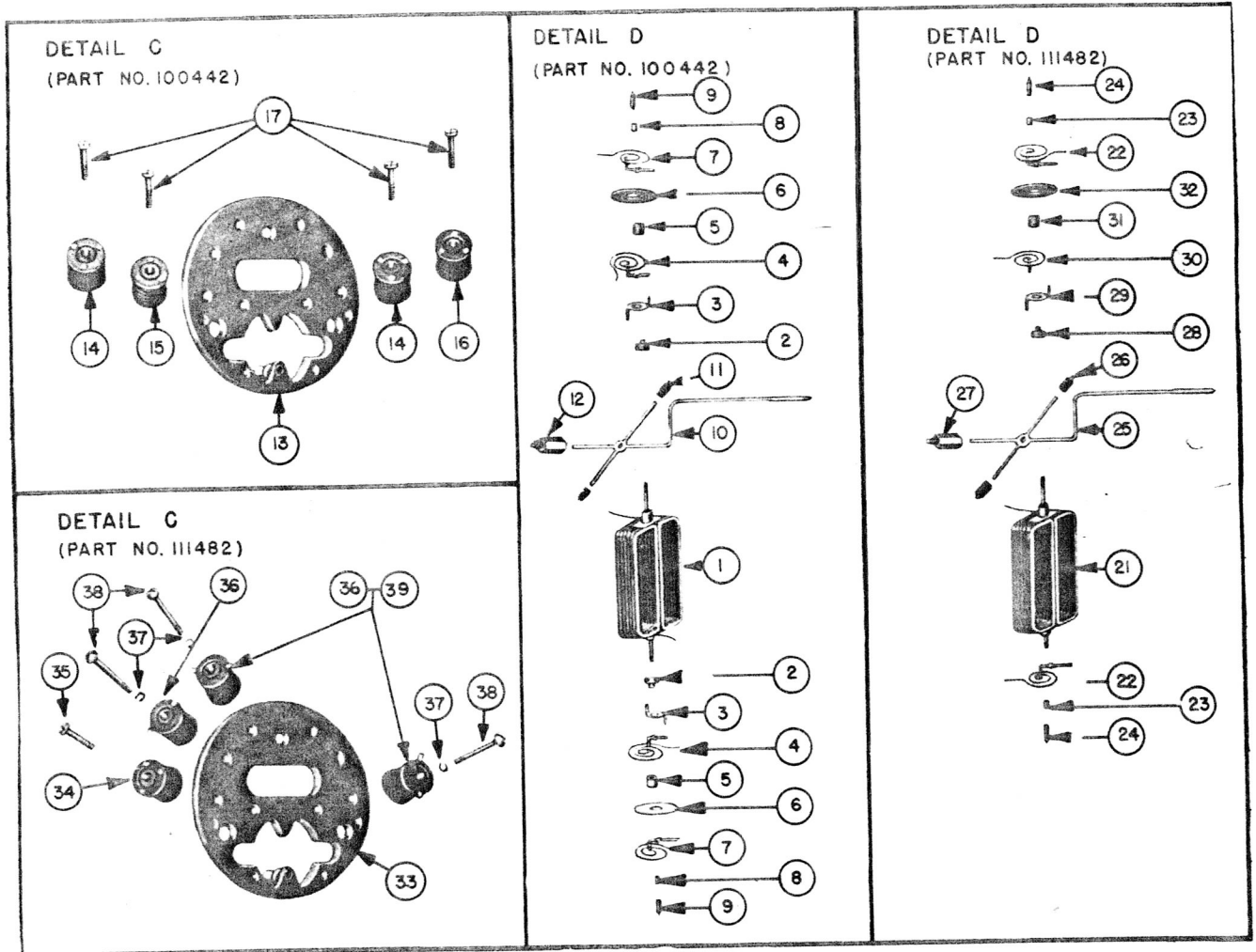


Figure 159—Ratiometer Moving Coil

Section II
Group Assembly Parts List

EO 20-85BA-4

Fig. No.	Index No.	Part No.	Nomenclature	EA-55A-438							Units Per Assy	
				1	2	3	4	5	6	7		
160	1	AN345B10	Nut							x		4
160	2	AN935B10	Washer—Lock							x		7
160	3	EA-7079A	Cover (Optional)							x		1
160	4	EA-7081	Stud—Cover (optional)							x		4
160	5	EA-5504A	Plate Assembly—Terminal							x		1
160	6	AN500B10-6	Screw							x		3
160	7	AN515B2-4	Screw							x		6
160	8	EA-5517	Washer							x		4
160	9	EA-4716	Shield—Ratiometer							x		1
160	10	EA-5515	Ratiometer, Weston Electrical Instrument Corporation Mod. 9969, Type 1 (obsolete)							x		1
160	11	EA-47007	Cover Assembly							x		1
160	12	EA-7101	Mechanism Assembly							x		1
161	1	EA-7006	Base Assembly							x		1
162	1	EA-7011	Base							x		1
162	2	AN520-10-6	Screw							x		2
162	3	EA-5126	Washer—Lock							x		2
162	4	EA-7031	Pin—Locking							x		1
162	5	EA-7083	Guide—Index lever							x		1
162	6	EA-7078	Spring							x		1
162	7	EA-7077	Holder—Index							x		1

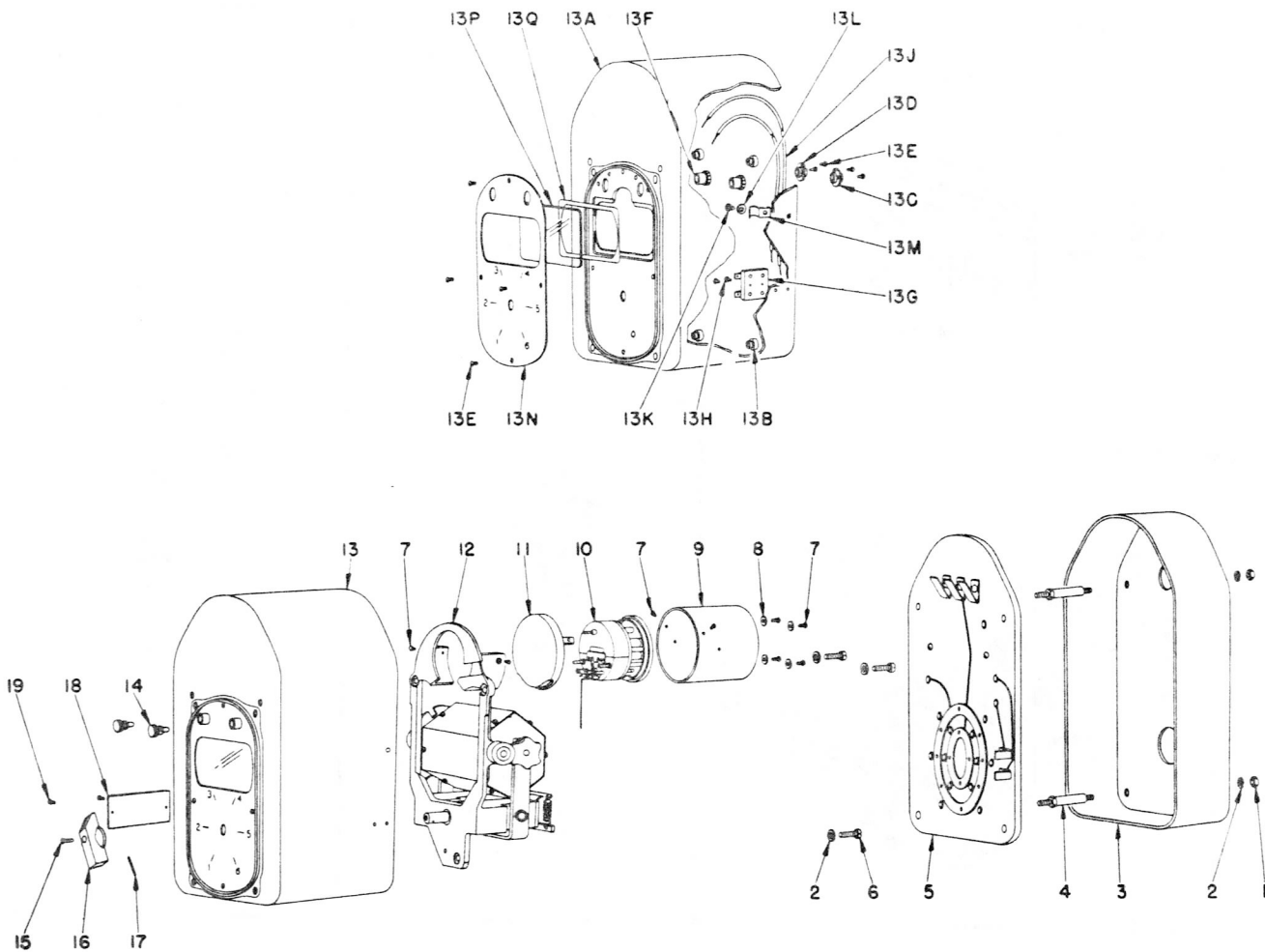


Figure 160—Dial Change Indicator EA-55A-438

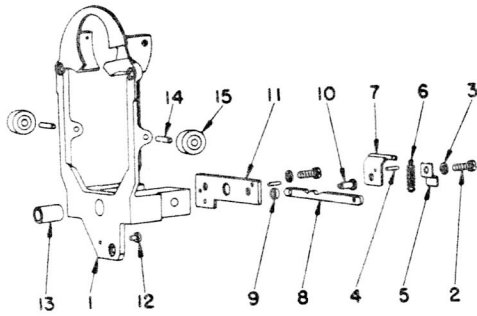


Figure 162

RESCINDED

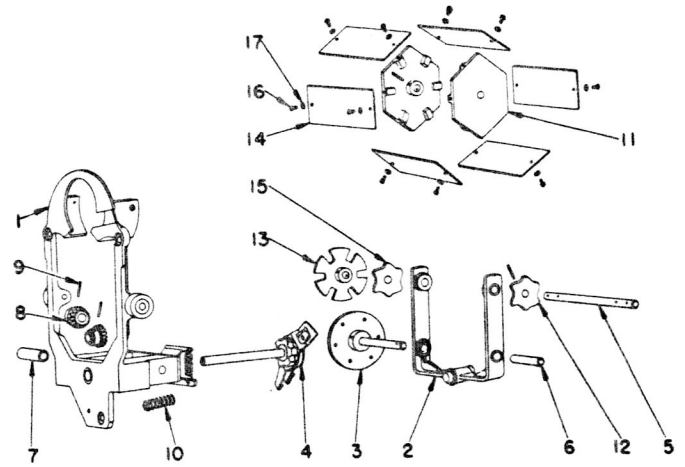


Figure 161

Fig. No.	Index No.	Part No.	Nomenclature	EA-55A-438	Units Per Assy
			1 2 3 4 5 6 7		
162	8	EA-7076	Lever—Stud	x	1
162	9	EA-7080	Spacer—Index	x	1
162	10	EA-7075	Stud	x	1
162	11	EA-7029	Bearing—Drive shaft	x	2
162	12	EA-7066	Retainer—Dial drum	x	2
162	13	EA-7039	Bushing—Index shaft	x	1
162	14	EA-7021	Stud—Ball bearing	x	1
162	15	EA-7026	Ball Bearing—Dial drum	x	2
161	2	EA-7003	Support Assembly—Dial drum	x	1
161	3	EA-7102	Geneva Driver Assembly	x	1
161	4	EA-7107	Contact Arm Assembly	x	1
161	5	EA-7018	Shaft—Dial drum	x	1
161	6	EA-7019	Bushing	x	1
161	7	EA-7024	Bearing Stud—Dial drum	x	1
161	8	EA-7028	Gear—Index	x	2
161	9	EA-7031	Pin—Locating	x	6
161	10	EA-7038	Spring	x	1
161	11	EA-7114	End Piece—Dial drum	x	2
161	12	EA-7115	Cam—Dial drum	x	1
161	13	EA-7116	Cam—Geneva	x	1
161	14	EA-7120	Dial	x	6

Section II
Group Assembly Parts List

EO 20-85BA-4

Fig. No.	Index No.	Part No.	Nomenclature							EA-55A-438	Units Per Assy
			1	2	3	4	5	6	7		
161	15	EA-7130									
161	16	AN515B2-3							x		1
161	17	AN935B2							x		12
160	13	EA-7008A							x		12
160	13A	EA-7027A							x		1
160	13B	EA-7084							x		1
160	13C	EA-7086							x		4
160	13D	EA-7087							x		1
160	13E	AN515B2-2							x		1
160	13F	EA-7088							x		8
160	13G	EA-7097							x		2
160	13H	302-16-2							x		1
160	13J	EA-7063							x		2
160	13K	EA-7098							x		2
160	13L	AN935B6							x		1
160	13M	EA-7071							x		1
160	13N	EA-7157A							x		1
160	13P	EA-7061							x		1
160	13Q	EA-7085							x		1
160	14	AC36A3344							x		1
160	15	EA-7047							x		2
160	16	EA-7048							x		1
160	17	EA-7046							x		1
160	18	EA-1243							x		1
160	19	AN430-2-4							x		2
									x		2

Fig. No.	Index No.	Part No.	Nomenclature							EA-31-1236-1	Units Per Assy
			1	2	3	4	5	6	7		
		109741									
163	1	100969									
163	2	71229							x		1
163	3	67969							x		2
163	4	626							x		2
163	5	ND19174							x		2
163	6	89566							x		4
163	7	63110							x		6
163	8	82144							x		1
163	9	63130							x		2
163	10	22031							x		2
163	11	93291							x		2
163	12	64009							x		2
163		82098							x		1
163		80166							x		1
163		82171							x		1
163		69687							x		1
163		76740							x		1
163	13	7093							x		1
163	14	63327							x		1
163	15	37490							x		1
163	16	27080							x		1
163	17	27036							x		2
163	18	77884							x		2
163		63112							x		1
163		80171							x		1
163		71086							x		1
163		69687							x		1
163		76740							x		1
163	19	67993							x		1
163	20	27197							x		2
163	21	63125							x		2
163		86149							x		2
163	22	63116							x		1
163		63115							x		1
163		63117							x		1
163		64093							x		1

Fig. No.	Index No.	Part No.	Nomenclature								EA-31-1236-1	Units Per Assy
				1	2	3	4	5	6	7		
163	23	86148	Cross—Balance								x	1
163	24	110632	Pointer—Assembled								x	1
163		75534	Springs—Paired								x	1 pr.
163	25	64088	Spring—Mounted (top)								x	1
163	26	64089	Spring—Mounted (bottom)								x	1
163	27	22960	Nut								x	2
163	28	69677	Pivot								x	2
163	29	91525	Washer								x	1
163	30	71438	Weight—Spiral balance								x	2
163	30	72068	Weight—Spiral balance								x	AR
163	30	72069	Weight—Spiral balance								x	2
163	30	75965	Weight—Spiral balance								x	1
163	31	71436	Nut—Balance								x	1
163	31	73690	Nut—Balance								x	1
163	31	76550	Nut—Balance								x	AR
163	31	77824	Nut—Balance								x	1
163	31	82089	Nut—Balance								x	1
163	32	63367	Bracket—Movement								x	1
163	33	ND17920	Washer—Lock								x	1

RESCINDED

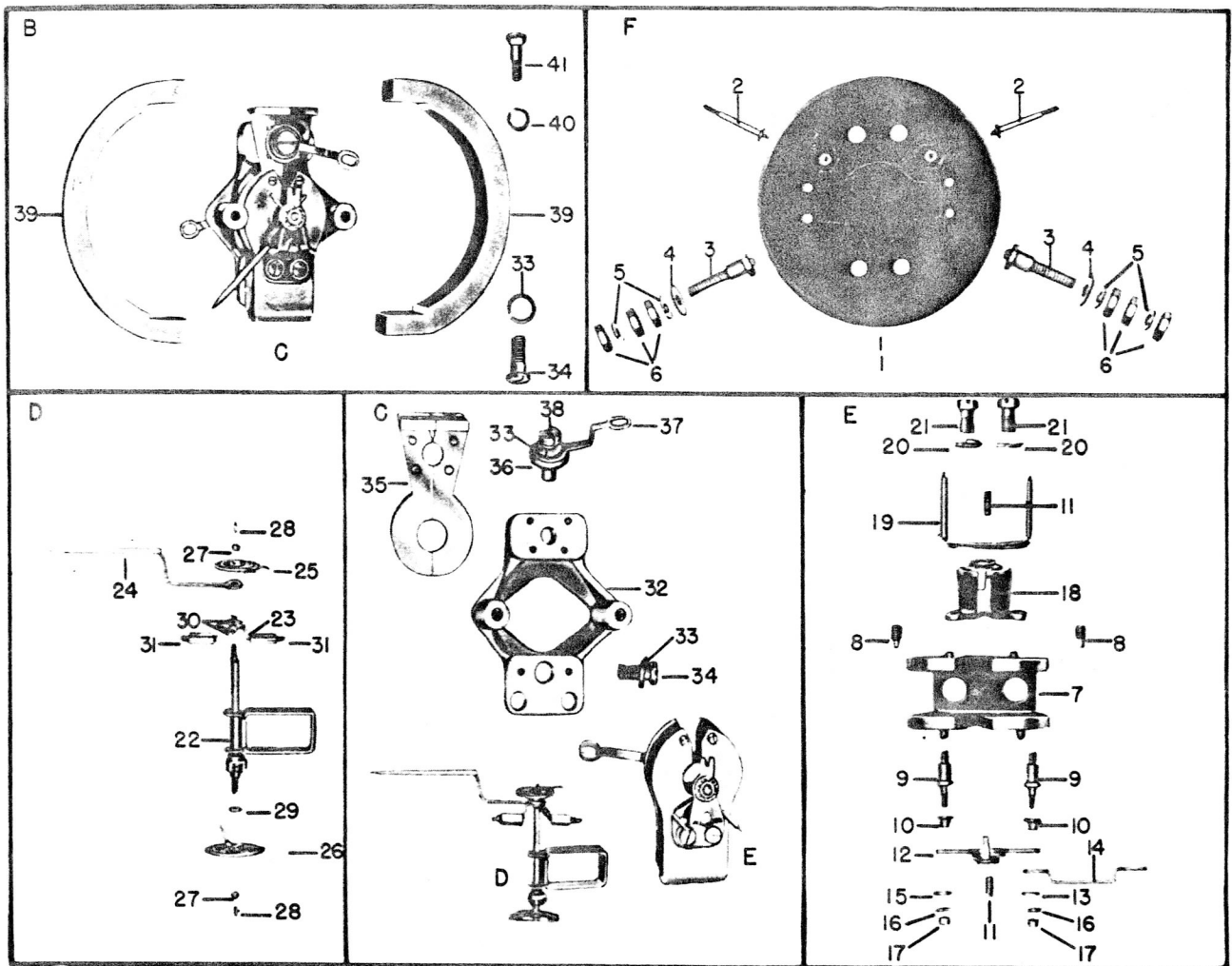


Figure 163—Indicator EA-31-1236-1

Section II
Group Assembly Parts List

EO 20-85BA-4

Fig. No.	Index No.	Part No.	Nomenclature	EA-31-1236-1							Units Per Assy	
				1	2	3	4	5	6	7		
163	34	65652	Screw—Bracket to pole piece								x	1
163	35	75611	Core								x	1
163		63109	Core—Right								x	2
163		65207	Core—Left								x	2
163	36	24379	Washer								x	1
163	37	63328	Connector								x	1
163	33	ND17920	Washer—Lock								x	1
163	38	63127	Screw—Core to bracket								x	1
163	39	63129	Magnet								x	2
163	33	ND17920	Washer—Lock								x	2
163	34	65652	Screw—Pole piece								x	2
163	40	27083	Washer—Lock								x	4
163	41	63126	Screw—Core								x	4
164	1	27743	Washer								x	4
164	2	ND22449	Washer—Lock								x	4
164	3	63127	Screw—Base to bracket								x	4
164	4	65076	Spool—Resistance								x	1
164	5	27081	Washer—Lock								x	3
164	6	42083	Nut								x	5
164	7	107765	Plate—Scale, Weston								x	1

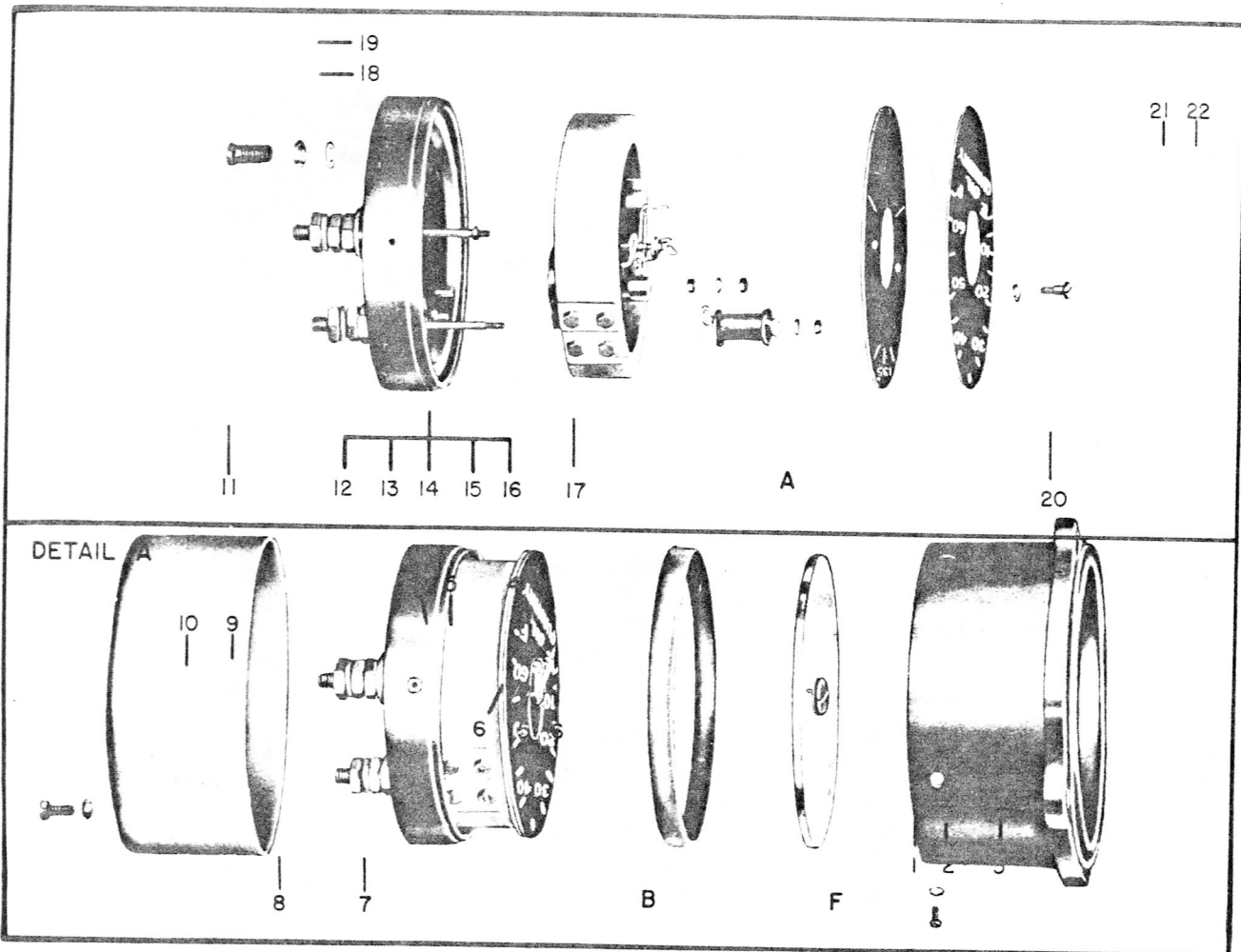


Figure 164—Indicator EA-31-1236-1

Fig. No.	Index No.	Part No.	Nomenclature							EA-31-1236-1	Units Per Assy
			1	2	3	4	5	6	7		
164	8	EA-3120								x	1
164	9	27083								x	2
164	10	63124								x	2
164		109742								x	1
164	11	100234								x	1
164	12	115953								x	1
164	13	86995								x	1
164	14	71068								x	1
164	15	17673								x	1
164	16	60914								x	1
164	17	63105								x	1
164	18	75536								x	4
164	19	89731								x	4
164	20	100610								x	1
164	21	27771								x	3
164	22	89576								x	3
											Plate--Name (not shown)

RESCINDED

Fig. No.	Index No.	Part No.	Nomenclature							EA-35-1139-1	Units Per Assy	
			1	2	3	4	5	6	7			
165		10026									Assembly--Ratio meter indicator	
165	40	84294								x	Element Assembled--Moving	1
165	1	48141								x	Coil--Moving	1
165	2	43652								x	Bushing Insulating	2
165	3	109697								x	Terminal	2
165	4	84286								x	Spring--Mounted (0.6 Test)	2
165	5	84158								x	Bushing	2
165	6	84156								x	Guard--Spring	2
165	7	89179								x	Spring--Mounted (2.5 Test)	2
165	8	22960								x	Nut	2
165	9	69677								x	Pivot	2
165	10	84293								x	Pointer Mounted	1
165	11	72069								x	Weight--Spiral balance	AR
165	11	72068								x	Weight--Spiral balance	AR
165	11	71437								x	Weight--Spiral balance	AR
165	11	103719								x	Weight--Spiral balance	AR
165	11	111771								x	Weight--Spiral balance	AR
165	11	71438								x	Weight--Spiral balance	AR
165	12	71436								x	Nut--Balance tail	AR
165	12	73690								x	Nut--Balance tail	AR
165	12	76550								x	Nut--Balance tail	AR
165	12	77824								x	Nut--Balance tail	AR
165	12	82089								x	Nut--Balance tail	AR
165	12	105494								x	Nut--Balance tail	AR
165	13	84284								x	Plate Mounted--Movement	1
165	14	106341								x	Spool--Resistance (140 ohms)	AR
165	14	106342								x	Spool--Resistance (105 ohms)	AR
165	15	111489								x	Spool--Resistance (2 windings, 30 ohms each)	1
165	16	103775								x	Spool--Resistance (120 ohms)	1
165	17	102401								x	Screw	4
165	18	92142								x	Pole Piece Mounted	1 pr.
165	19	84292								x	Stud	2
165	20	ND21902								x	Washer--Lock	2
165	21	111091								x	Nut	2
165	22	43775								x	Bushing--Insulator	2
165	23	89497								x	Washer--Lock	2
165	24	84289								x	Abutment	2
165	25	20955								x	Bushing--Insulator	2
165	26	89489								x	Bridge Assembled	2
165	27	21016								x	Screw--Jewel	2
165	28	84331								x	Terminal	2
165	29	111435								x	Washer--Insulator	2
165	30	24541								x	Washer	2
165	31	23320								x	Washer--Metal	4

Section II
Group Assembly Parts List

EO 20-85BA-4

Fig. No.	Index No.	Part No.	Nomenclature							EA-35-1139-1	Units Per Assy	
			1	2	3	4	5	6	7			
165	32	27088										
165	33	14765								x		4
165	34	84155								x		4
165	35	34029								x		1
165	36	27081								x		1
165	37	100441								x		1
165	38	33311								x		1
165	39	105324								x		3
165	40	84294								x		3
165	41	104476								x		1
166	1	83676								x		2
166	2	84291								x		1
166	3	24035								x		1
166	4	ND17921								x		1
166	5	24033								x		1
166	6	84318								x		1

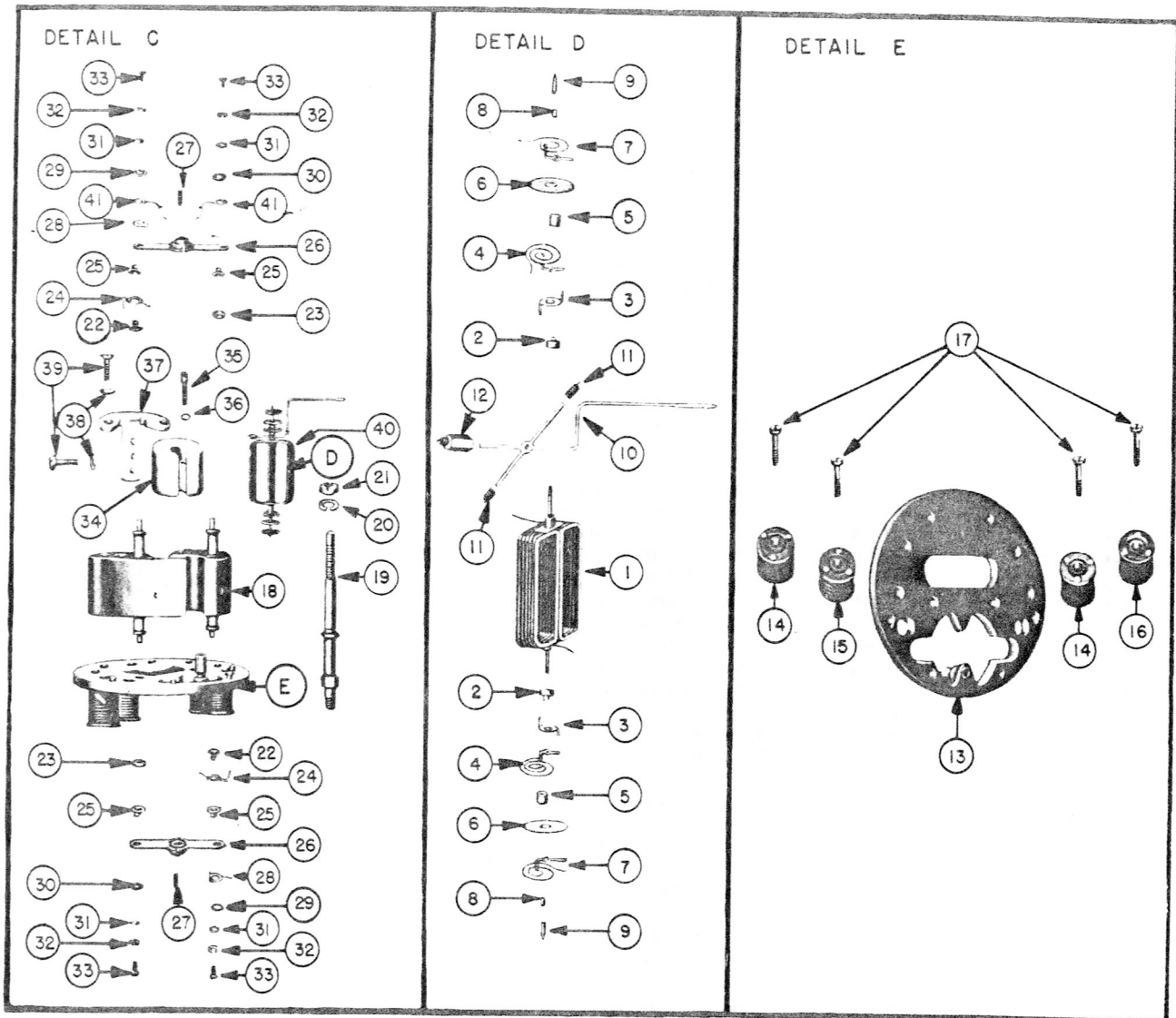


Figure 165—Indicators EA-35-1139-1, EA-36-141, EA-36-438, and EA-36-1139

Fig. No.	Index No.	Part No.	Nomenclature	EA-35-1139-1	
					Units Per Assy
			1 2 3 4 5 6 7		
166	7	ND11983	Washer—Lock	x	3
166	8	52435	Nut	x	3
166	9	EA-3520	Plate—Scale (dial)	x	1
166	10	30153	Washer—Lock	x	2
166	11	92140	Screw	x	2
166	12	84325	Case—Mounted	x	1
166	13	84326	Case	x	1
166	14	30834	Glass	x	1
166	15	93119	Spacer	x	1
166	16	84323	Bezel	x	1
166	17	84317	Shield—Mounted	x	1
166	18	89488	Screw	x	6
166	19	27771	Washer—Lock	x	4
166	20	89576	Screw	x	4
166	21	82756	Plug	x	1
166	22	79840	Gasket	x	1
166	23	72598	Bushing	x	1
166	24	72597	Nut	x	1
		EA-3512	Plate—Name (not shown)	x	1

RESCINDED

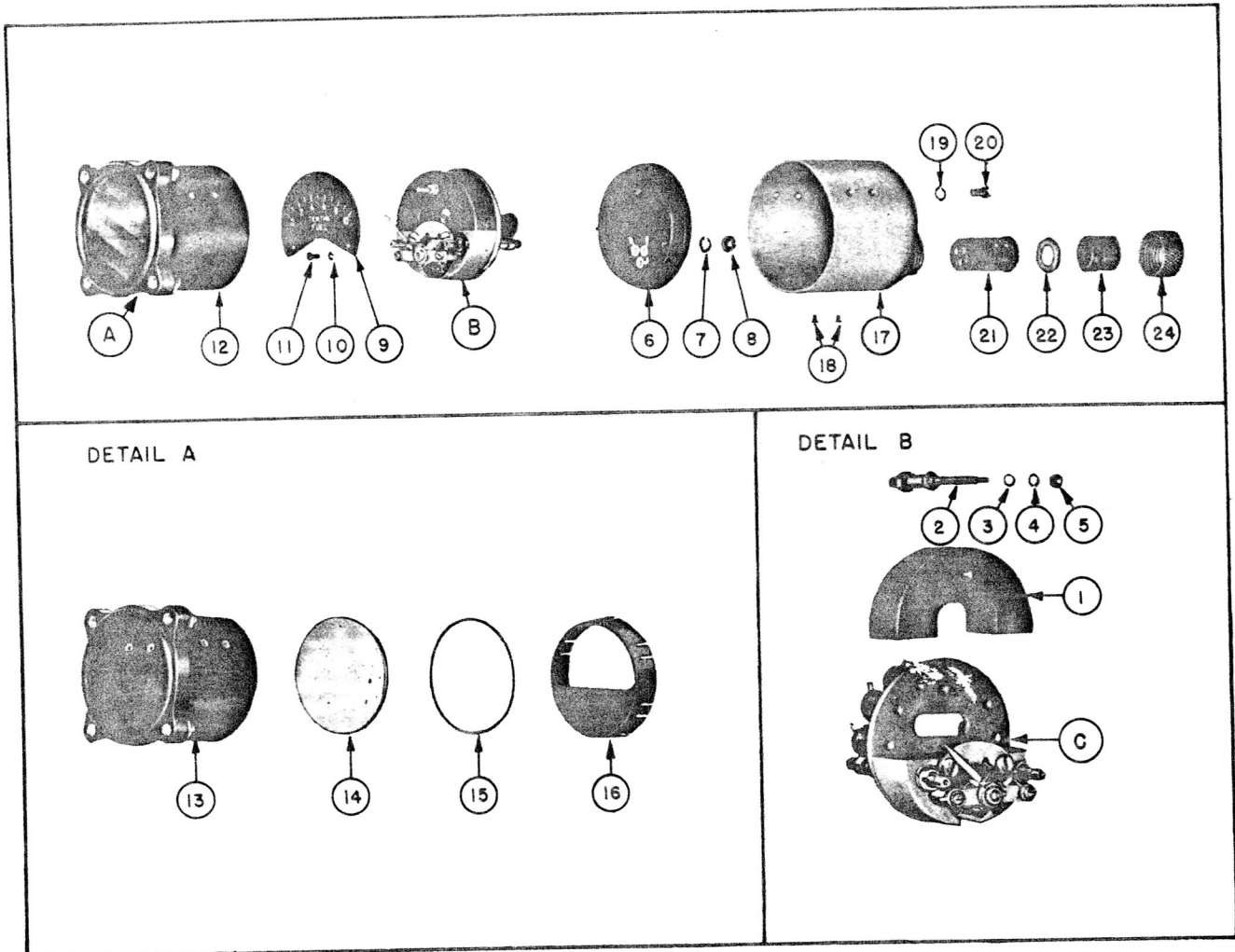


Figure 166—Indicator EA-35-1139-1

Section II
Group Assembly Parts List

EO 20-85BA-4

Fig. No.	Index No.	Part No.	Nomenclature	1	2	3	4	5	6	7	EA-36-141	EA-36-438	EA-36-1139	Units Per Assy
165		113665	Assembly—Ratio Meter Indicator											
165	40	84168	Element Assembled—Moving								x	x	x	1
165	1	84141	Coil—Moving								x	x	x	1
165	2	43652	Bushing—Insulating								x	x	x	2
165	3	109697	Terminal								x	x	x	2
165	4	84286	Spring—Mounted (0.6 Test)								x	x	x	2
165	5	84158	Bushing								x	x	x	2
165	6	84156	Guard—Spring								x	x	x	2
165	7	89179	Spring—Mounted (2.5 Test)								x	x	x	2
165	8	22960	Nut								x	x	x	2
165	9	69677	Pivot								x	x	x	2
165	10	84183	Pointer—Mounted								x	x	x	1
165	11	72069	Weight—Spiral balance								x	x	x	AR
165	11	72068	Weight—Spiral balance								x	x	x	AR
165	11	71437	Weight—Spiral balance								x	x	x	AR
165	11	103719	Weight—Spiral balance								x	x	x	AR
165	11	111771	Weight—Spiral balance								x	x	x	AR
165	11	71438	Weight—Spiral balance								x	x	x	AR
165	12	71436	Nut—Balance tail								x	x	x	AR
165	12	73690	Nut—Balance tail								x	x	x	AR
165	12	76550	Nut—Balance tail								x	x	x	AR
165	12	77824	Nut—Balance tail								x	x	x	AR
165	12	82089	Nut—Balance tail								x	x	x	AR
165	12	105494	Nut—Balance tail								x	x	x	AR
165	13	84284	Plate Mounted—Movement								x	x	x	1

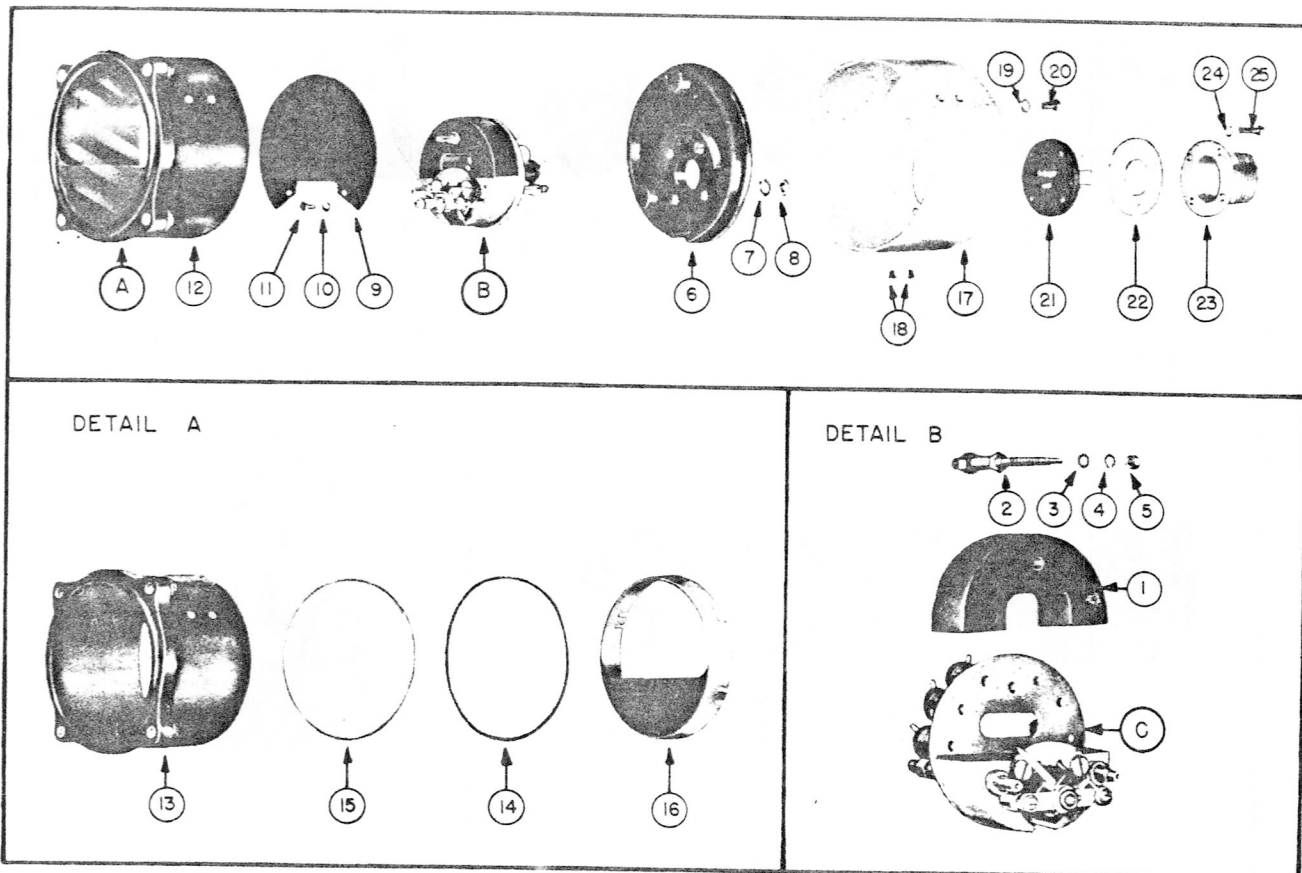


Figure 167—Indicators EA-36-141, EA-36-438 and EA-36-1139

Fig. No.	Index No.	Part No.	Nomenclature							EA-36-141	EA-36-438	EA-36-1139	Units Per Assy
			1	2	3	4	5	6	7				
165	14	106341							x	x	x	AR	
165	14	106342							x	x	x	AR	
165	15	111489							x	x	x	1	
165	16	103775							x	x	x	1	
165	17	102041							x	x	x	4	
165	18	92142							x	x	x	1 pr.	
165	19	84292							x	x	x	2	
165	20	ND21902							x	x	x	2	
165	21	111091							x	x	x	2	
165	22	43775							x	x	x	2	
165	23	89496							x	x	x	2	
165	24	84289							x	x	x	2	
165	25	20955							x	x	x	2	
165	26	89489							x	x	x	2	
165	27	21016							x	x	x	2	
165	28	84331							x	x	x	2	
165	29	111435							x	x	x	2	
165	30	24541							x	x	x	2	
165	31	23320							x	x	x	4	
165	32	27088							x	x	x	4	
165	33	14765							x	x	x	4	
165	34	84155							x	x	x	1	
165	35	34029							x	x	x	1	
165	36	27081							x	x	x	1	
165	37	100441							x	x	x	1	
165	38	33311							x	x	x	3	
165	39	105324							x	x	x	3	
165	40	84168							x	x	x	1	
165	41	104476							x	x	x	2	
167	1	83676							x	x	x	1	
167	2	84291							x	x	x	1	
167	3	24035							x	x	x	1	
167	4	27197							x	x	x	1	
167	5	24033							x	x	x	1	
167	6	100900							x	x	x	1	
167	7	ND21902							x	x	x	3	
167	8	111091							x	x	x	3	
167	9	EA-3614							x			1	
167	9	EA-3618								x		1	
167	9	EA-3617									x	1	
167	10	30153							x	x	x	2	
167	11	92140							x	x	x	2	
167	12	91994							x	x	x	1	
167	13	84384							x	x	x	1	
167	14	88904							x	x	x	1	
167	15	93102							x	x	x	1	
167	16	84134							x	x	x	1	
167	17	113666							x	x	x	1	
167	18	89488							x	x	x	6	
167	19	27771							x	x	x	3	
167	20	89576							x	x	x	3	
167	21	93800							x	x	x	1	
167	22	100797							x	x	x	1	
167	23	93799							x	x	x	1	
167	24	ND17921							x	x	x	4	
167	25	ND20608							x	x	x	4	
		EA-3620										Plate—Name (not shown)	

RESCINDED

Section II
Group Assembly Parts List

EO 20-85BA-4

Fig. No.	Index No.	Part No.	Nomenclature	EA-343-1							Units Per Assy	
				1	2	3	4	5	6	7		
168		111645	Assembly—Fuel lever indicator									
168	1	110199	Plate Mounted—Movement									1
168	2	106599	Pole—Piece-Mounted						x			1 pr.
168	3	111424	Stud—Pole piece						x			2
168	4	ND21902	Washer—Lock						x			2
168	5	111091	Nut						x			2
168	6	20955	Insulator						x			2
168	7	89489	Bridge—Mounted						x			4
168	8	106939	Screw—Jewel						x			2
168	9	84331	Terminal						x			2
168	10	111435	Washer—Insulating						x			2

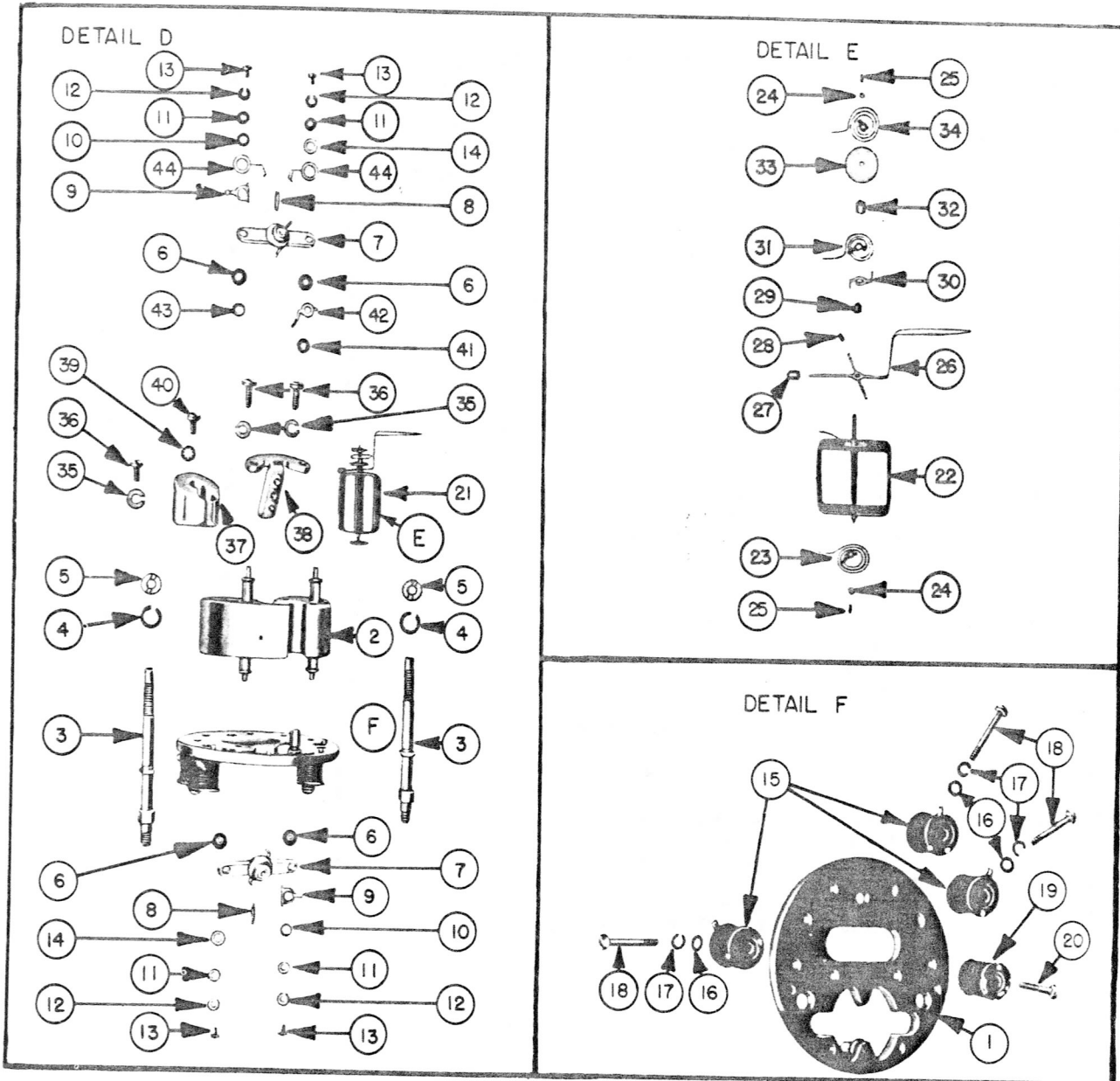


Figure 168—Indicator EA-343-1

Fig. No.	Index No.	Part No.	Nomenclature							E.A.343-1	Units Per Assy
			1	2	3	4	5	6	7		
168	11	23320								x	4
168	12	27088								x	4
168	13	14765								x	4
168	14	24541								x	2
168	15	109722								x	3
168	16	23263								x	3
168	17	77276								x	3
168	18	73347								x	3
168	19	111489								x	1
168	20	102401								x	1
168	21	111646								x	1
168	22	111641								x	1
168	23	89179								x	1
168	24	22960								x	2
168	25	88239								x	2
168	26	84293								x	1
168	27	71436								x	AR
168	27	73690								x	AR
168	27	76550								x	AR
168	27	77824								x	AR
168	27	82089								x	AR
168	27	105494								x	AR
168	28	72069								x	AR
168	28	72068								x	AR
168	28	103719								x	AR
168	28	111771								x	AR
168	28	71438								x	AR
168	29	43652								x	1
168	30	109697								x	1
168	31	109377								x	1
168	32	84158								x	1
168	33	84156								x	1
168	34	109378								x	1
168	35	33311								x	3
168	36	105324								x	3
168	37	110189								x	1
168	38	84161								x	1
168	39	ND21754								x	1
168	40	110805								x	1
168	41	43775								x	1
168	42	84289								x	1
168	43	89497								x	1
168	44	104476								x	2
169	1	111307								x	1
169	2	52438								x	2
169	3	83676								x	1
169	4	111423								x	1
169	5	24035								x	1
169	6	27197								x	1
169	7	24033								x	1
169	8	110186								x	1
169	9	ND21902								x	3
169	10	111091								x	3
169	11	108501								x	1
169	12	AN510B2-3								x	4
169	13	111433								x	1
169	14	110979								x	1
169	15	108676								x	1
169	16	AN935-4								x	4
169	17	AN501B4-7								x	4
169	18	ND-23148								x	1
169	19	111407								x	1
169	21	92140								x	2
169	20	30153								x	2
169	22	108393								x	1
169	23	111659								x	1
169	24	108394								x	1
169	25	30834								x	1
169	26	93119								x	1

RESCINDED

Section II
Group Assembly Parts List

EO 20-85BA-4

Fig. No.	Index No.	Part No.	Nomenclature							EA-343-1	Units Per Assy	
			1	2	3	4	5	6	7			
169	27	108398										
169	28	108397								x		1
169	29	108395								x		1
169	30	ND22738								x		1
169	31	ND22724								x		8
169	32	AN510B4								x		4
		AN515B6-16								x		1
		EA-34312								x		4
												1

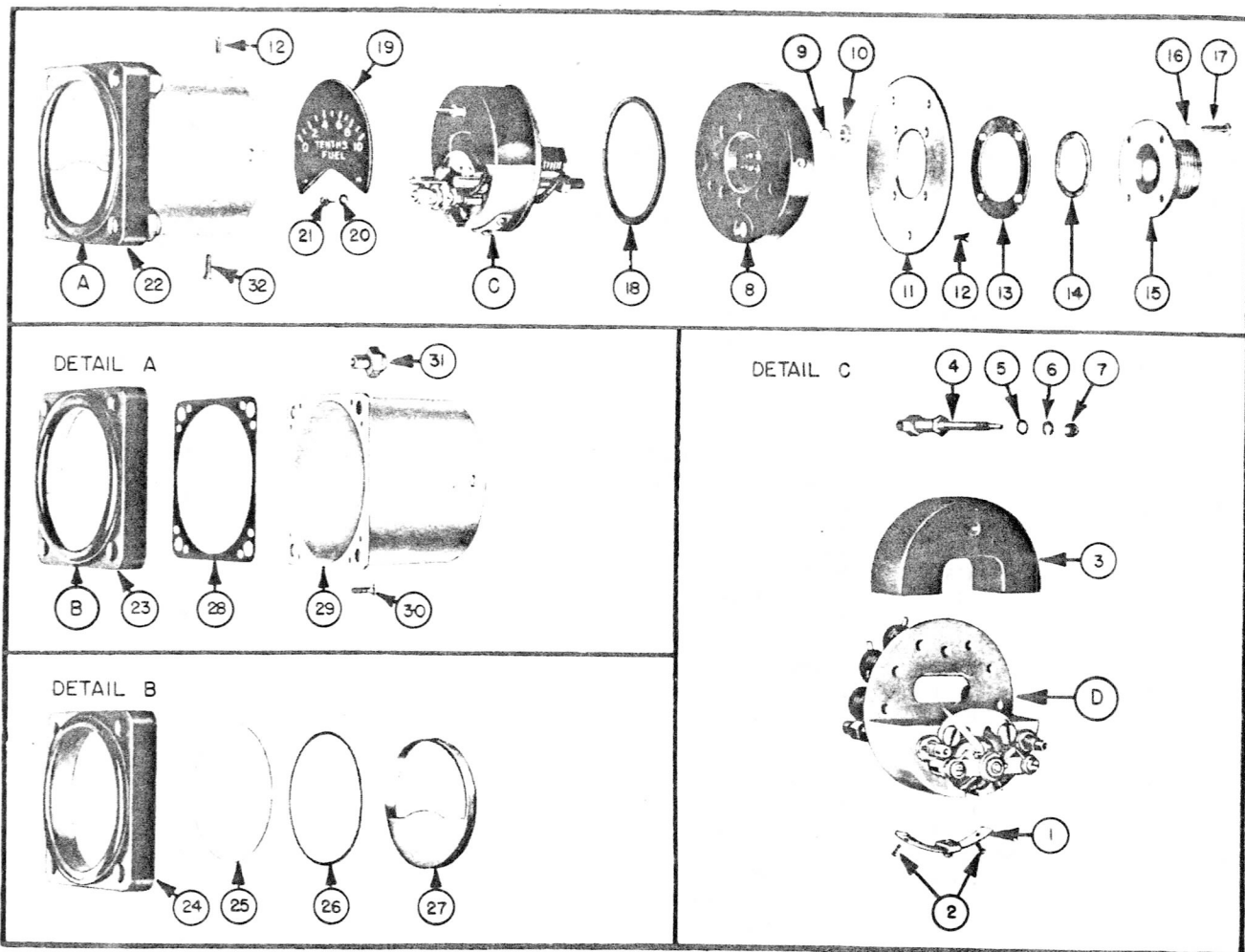


Figure 169—Indicator EA-343-1

Fig. No.	Index No.	Part No.	Nomenclature							Units Per Assy
			1	2	3	4	5	6	7	
169A	1	AC-134A5-3-4	Stroke Adjustment Panel Assembly							1
169A	2	EA-5109	Resistor Assembly							1
169A	2A	EA-5117	Resistor							1
169A	2B	EA-5115	Screw—Terminal							2
169A	2C	EA-5118	Screw							2
169A	3	EA-5116	Washer—Terminal Screw							2
169A	4	AN935BB	Washer—Lock							2
169A	5	340B8	Nut							2

RESCINDED

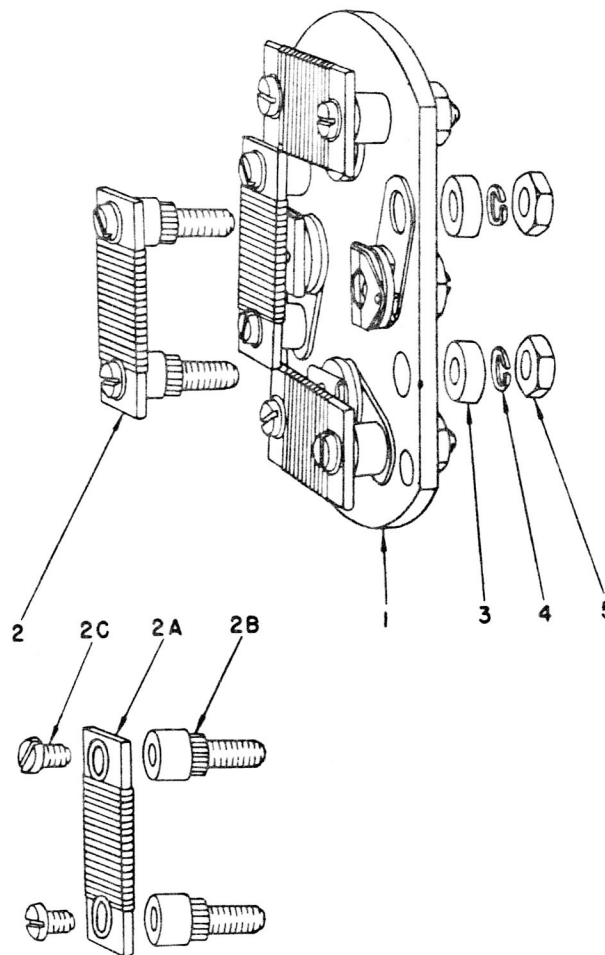
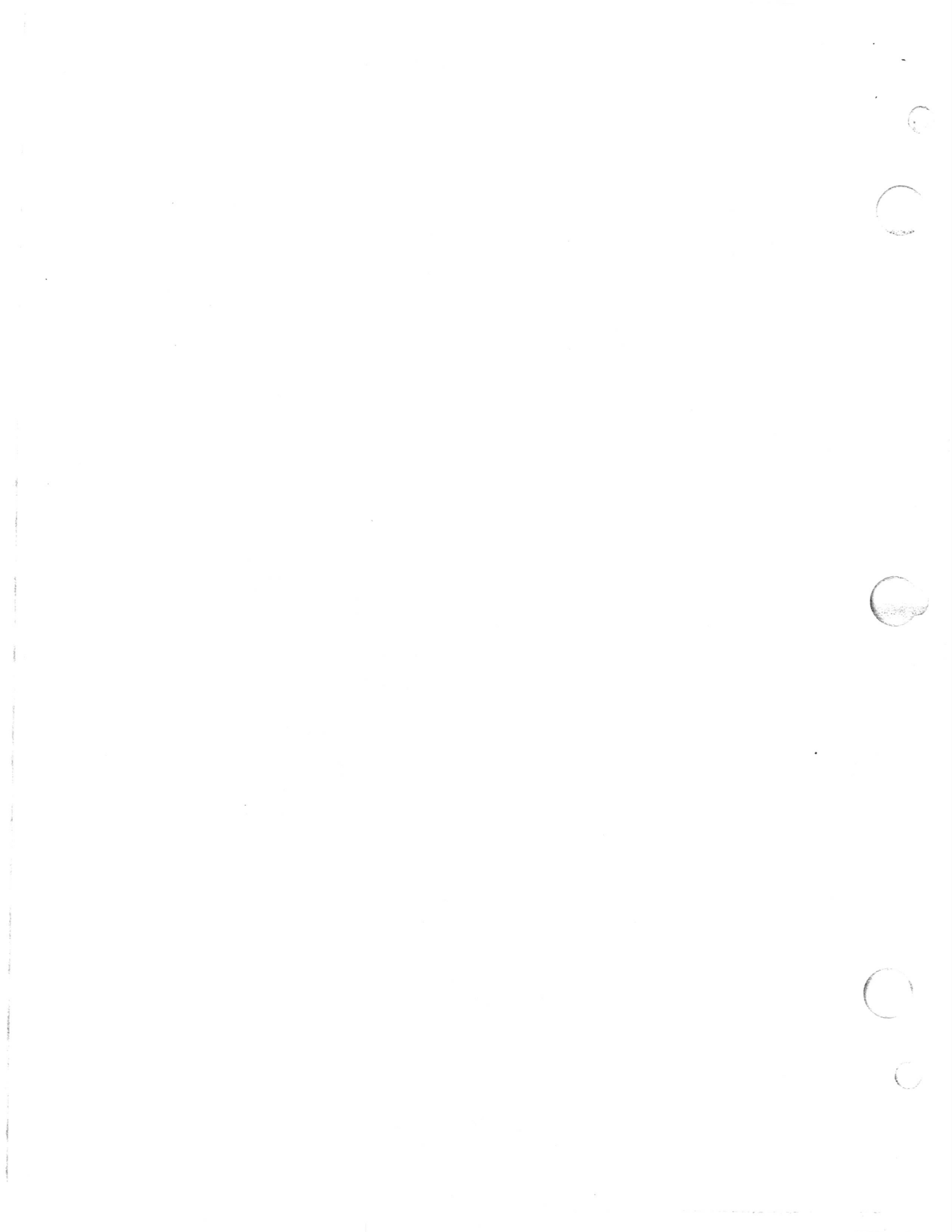


Figure 169A—Stroke Adjustment Panel
AC-134A5-3 and 4



SECTION III
NUMERICAL PARTS LIST

RESCINDED

Property Classification		Figure and Index Number	Total Qty	Property Classification		Figure and Index Number	Total Qty	Property Classification		Figure and Index Number	Total Qty
U.S. Army	U.S. Navy			U.S. Army	U.S. Navy			U.S. Army	U.S. Navy		
	Bracket—Anchor Nut	50-1C	AR		Wire, same as above	64-9C2	AR		AN3102-14S-2P	1-8C1	33
	Elastic Stop Nut				Green (EA-7917)				AN3102-14S-5P	22-10B1	7
	Corp. Type A7 Cat. No. 48A7-82				Wire, same as above	65-4B	AR		AN3102-14S-6P	48-8B1	3
	White (EA-7948)				Wire, same as above	64-9C8	AR		AN3102-16-1P	151-1B	6
	Cord—Waxed Dental	66-5C	AR		Black (EA-7918)				AN3102-18-1P	151-1B	6
	Floss, Johnson & Johnson Co. 8 in. long				Wire, No. 22 Tinned	64-9C	AR		AN3102-20-1P	151-1B	3
	Eyelet, Stimpson Co. Part No. A-1177	72-3	AR		Copper White Silk Covered Lenz Mfg. Co. (EA-7919, EA-6526, EA-7927)				AN340B10	115-51	14
	7-32 in. long				Wire, No. 20 AWG 7 Strands 2 in. long flexible tinned copper white	44-7K	AR		AN340B2	149-18	AR
	Eyelet, Stimpson Co. Part No. 2-650	146-4	AR		Celanese Wrap Braid Belden No. 8943 (EA-7930)				AN340B3	154-16	AR
	3/16 in. long				Wire, 72 strands of .002 dia. copper	92-11	AR		AN340B4	103-5	AR
	Eyelet, Stimpson Co. Part No. A-1014	147-3K	AR		2 1/4 in. long. Made from Belden Wire name "Fatten" 504 strands, white Celanese Braid wrap				AN340B6	70-2	AR
	1/2 in. long				Wire, 6 strands of No. 38 AWG 2 in. long black rayon braid wrap. Lenz Mfg. Co.	9-8B3	AR		AN345B10	70-19	AR
	Eyelet, Waterbury Co. Part No. 9966	71-3E	AR		Wire, No. 32 Nichrome Enameled .008 dia. 10.55 OHMS per ft. (EA-7912-32)	2-2	AR		AN365B8-32	90-34	AR
	1/4 in. long				(EA-7912-32)				AN380B2-2	70-33	AR
	Lug—Solder, Zierich Catalog No. 15, Part No. 142	93-4	AR		Wire, No. 34 Nichrome Enameled 17.00 OHMS per ft. (EA-7912-34)	17-2	AR		AN430-2-4	70-16	AR
	Lug—Solder, Zierich Catalog No. 15, Part No. 148	93-5	AR		Wire, No. 42 Nichrome enameled .0026 dia. 1669 OHMS per 1000 ft. (EA-7913-42)	4-10C	AR		AN430-3-4	105-5	AR
	Lug—Solder, Waterbury Co. Part No. 8462	103-8	AR		Wire, No. 44 Nichrome enameled .00208 dia. 2654 OHMS per 1000 ft. (EA-1913-44)				AN430-4-18	70-28	AR
	Nut—Elastic Stop Elastic Stop Corp. Cat. No. 68L8-02	50-1B	AR		Wire, Brass No. 20 B & S gage 17 in. long	99-3	AR		AN430-4-4	105-3	AR
	Pin—Bank No. 5 .033 dia.	75-4D	20		AC134A5-3	169A	1		AN430-4-5	100-20	AR
	Pin—Locking B & S gage 3/8 in. long (copper) (EA-1229)	71-5	AR		AC134A5-4	169A	1		AN430-4-8	101-8	AR
	Rivet, Stimpson Co. Part No. H-149	70-43	AR		AND10066-12S-3P	83-12	61		AN430B2-6	103-3	AR
	9/16 in. long				AND10066-14S-1P	70-11	66		AN455AD3-4	77-7	AR
	Screw, Binding H. No. 10-32x1/2 in.	115-52	AR		AND10066-14S-2P	86-12	25		AN500B4-11	130-47	4
	Spaghetti 1/8 in. O.D. x 5/65 in. I.D.	130-49	AR		AND10066-14S-5P	91-15	7		AN500B4-12	56A	4
	Washer—Lock No. 4 INT. Shake Proof Shake Proof Inc.	149-27	AR		AND10066-14S-6P	48-8B	5		AN500B4-4	56A-15	AR
	Wire, No. 20 B & S gage tinned copper rubber covered insulation	100-6C	AR		AN240-3	90-36	AR		AN500B4-5	67A-14	20
	Wire, No. 20 AWG 7 strands flexible tinned copper blue celanese braid wrap Belden No. 8943 (EA-7914)	64-9C3	AR		AN3054-6	130-53	2		AN500B4-6	70-13	AR
	Wire, same as above Red (EA-7915)	16-10B3	AR		AN3057-4	131-1	AR		AN500B6-10	103-3	AR
	Wire, same as above Yellow (EA-7916)	64-9C5	AR		AN3101-14S-2P	130-54	2		AN500B6-4	67A-25	10
					AN3102-12A-3P	130-10	AR		AN500B6-5	67B-37	AR
					AN3102-14S-1P	12-10B1	3		AN500B6-6	62A-24	48
									AN500B6-7	62A-23	8
									AN501AB10-4	148A-57	AR
									AN501B0-2	154-23C	AR
									AN501B0-3	1-2	AR
									AN501B10-6	102-12	AR
									AN503B10-8	98-2	AR
									AN505B4-6	148A-14	AR
									AN505B4-8	81-12	AR
									AN505B5-8	70-14	AR
									AN505B6-8	92-9	AR
									AN505B6-9	62A-16	1
									AN510B2-3	28-12	AR
									AN510B3-3	117-4	AR
									AN510B3-4	117-4	AR
									AN515B2-2	56A-6	20
									AN515B2-3	149-3	AR
									AN515B2-4	149-15	AR
									AN515B3-3	154-14	AR
									AN515B3-4	73-11	AR
									AN515B3-5	73-13	AR
									AN515B3-6	126-15G	AR
									AN515B4-12	82-12	AR
									AN515B4-3	150-4	AR
									AN515B4-4	154-5	AR
									AN515B4-5	14-5	AR
									AN515B4-8	82-5	AR
									AN515B5-4	148A-5J	AR
									AN515B6-18	16-9G	AR
									AN515B6-3	154-12	AR
									AN515B6-4	67A-16	48

Section III
Numerical Parts List

EO 20-85BA-4

Property Classification			Property Classification			Property Classification								
U.S. Army	U.S. Navy	Part Number	Figure and Index Number	Total Qty	U.S. Army	U.S. Navy	Part Number	Figure and Index Number	Total Qty	U.S. Army	U.S. Navy	Part Number	Figure and Index Number	Total Qty
		AN515B6-5	153-1D	AR			EA-10067	53-1A2	75			EA-101A-16	9	1
		AN515B6-6	70-25	AR			EA-10075-1	1-7A3A	2			EA-101A-5	9	1
		AN515B6-8	153-5	AR			EA-10075-2	7-8A4	3			EA-101A-6	9	1
		AN515B8-4	114-36	AR			EA-10075-3	44-7A5	12			EA-101A-7	9	1
		AN515B8-8	149-1	AR			EA-10075-4	40-7A4	7			EA-101AN-18	56A	1
		AN520B10-10	162-2	AR			EA-10078-1	48A-26	1			EA-101AN-19A	56A	1
		AN520B6-4	71-9	AR			EA-10078-2	56A-25	1			EA-101AN-27A	56A	1
		AN935B10	115-50	12			EA-10078-9	48A-25	1			EA-101AN-44	56A	1
		AN935B2	139-4	AR			EA-10079-1	37-11E	1			EA-101AN-67	56A	1
		AN935B4	70-12	AR			EA-10079-6	62A-23	1			EA-101AN-78	56A	1
		AN935B516	102-7C	AR			EA-10080-10	7-8C	16			EA-10101AN-1	56A-9	1
		AN935B6	7-8	AR			EA-10080-11	78-8B	4			EA-10101C-2	7-8	1
		AN935B8	70-3	AR			EA-10080-12	26-9F	9			EA-10101D-1	5-8	1
		AN960B10	70-18	AR			EA-10080-13	26-9E	1			EA-10102AN-1	56A-18	1
		AN960B3	126-15E	AR			EA-10080-14	59-8F	1			EA-10102C	7-8A	2
		AN960B6	148A-6	12			EA-10080-15	58-8G	22			EA-10103A	59-D	1
		AN960B8	114-35	AR			EA-10080-17	31-10D	2			EA-10103AN-1	56A-10	1
		E-1003-1-10	151B	2			EA-10080-19	56-8F	1			EA-10105-1	5-7	1
		E-1003-3-20	70-11	15			EA-10080-20	14-9C	1			EA-10105-11	7-7	1
		EA-100-10	3	1			EA-10080-3	29-9B	2			EA-10105-12	7-7	1
		EA-100-11	3	1			EA-10080-5	44-7D	8			EA-10105-13	7-7	1
		EA-100-12	3	1			EA-10080-9	46-7E	2			EA-10105-14	9-7	1
		EA-100-13	3	1			EA-10081-1	62-80	2			EA-10105-15	9-7	1
		EA-100-16	3	1			EA-10081-3	56-8H	1			EA-10105-16	9-7	1
		EA-100-17	3	1			EA-10082-2	42-7J	3			EA-10105-17	7-7	1
		EA-100-2AB	1	1			EA-10083-1	54-7E	4			EA-10105-18	7-7	1
		EA-100-5	1	1			EA-10083-2	40-7J	4			EA-10105-19	7-7	1
		EA-100-6	1	1			EA-10083-6	67A-21	5			EA-10105-2	7-7	1
		EA-100-7	3	1			EA-10084-10	3-7C	2			EA-10105-24	7-7	1
		EA-100-8	3	1			EA-10084-11	3-7B	4			EA-10105-25	7-7	1
		EA-100-9	3	1			EA-10084-15	37-10E	6			EA-10105-27	9-7	1
		EA-100AN-48	62A	1			EA-10084-21	18-9C	1			EA-10105-29	5-7	1
		EA-10001AN	62A-10	2			EA-10084-26	16-9	1			EA-10105-3	7-7	1
		EA-10001C-3	1-7	1			EA-10084-27	69-4D	1			EA-10105-4	7-7	1
		EA-10001C-4	1-7	1			EA-10084-3	64-8D	2			EA-10105-5	9-7	1
		EA-10001D-1	3-7	1			EA-10084-30	48-7D	6			EA-10105-6	9-7	1
		EA-10002AN	62A-17	2			EA-10084-31	48-7E	2			EA-10105-7	9-7	1
		EA-10002C-1	3-7A	3			EA-10084-42	67B-36	1			EA-10105-8	7-7	1
		EA-10005-10	3-6	1			EA-10084-5	68-4B	5			EA-10105-9	7-7	1
		EA-10005-11	3-6	1			EA-10084-6	68-4C	2			EA-10105AN-18	56A-5	1
		EA-10005-12	3-6	1			EA-10084-7	68-4D	2			EA-10105AN-19A	56A-5	1
		EA-10005-13	3-6	1			EA-10085	3-8B	2			EA-10105AN-27A	56A-5	1
		EA-10005-16	3-6	1			EA-10085-1	37-11B	2			EA-10105AN-44	56A-5	1
		EA-10005-17	3-6	1			EA-10093	66-1C	53			EA-10105AN-67	56A-5	1
		EA-10005-2AB	1-6	1			EA-10094-1	58-4	18			EA-10105AN-78	56A-5	1
		EA-10005-5	1-6	1			EA-10094-2	58-1	6			EA-10105S	136-3	3
		EA-10005-6	1-6	1			EA-10094-3	36-12	8			EA-10107A-1	9-9B	1
		EA-10005-7	3-6	1			EA-10094-5	8-1	2			EA-10110A-1	9-9	1
		EA-10005-8	3-6	1			EA-10096-1	58-4A	18			EA-10112	9-9A	1
		EA-10005-9	3-6	1			EA-10096-2	58-1A	5			EA-10115A-10	9-8A1	1
		EA-10005AN-48	62A-5	1			EA-10096-3	34-12A	8			EA-10115A-11	24-9A1	1
		EA-10008	3-7A3	2			EA-10096-4	43-1A	1			EA-10115A-12	26-9A1	1
		EA-10017	1-7AB3	6			EA-10096-5	2-1A	2			EA-10115A-13	44-7A1	3
		EA-10017-1	16-9A5	1			EA-101-AT-9	7	1			EA-10115A-16	59-8A1	1
		EA-10018-1	69-4	8			EA-101-1	5	1			EA-10115A-19	68-1	1
		EA-10018-2	6-4	3			EA-101-18	7	1			EA-10115A-21	54-7A1	1
		EA-10018-3	49-4	5			EA-101-19	7	1			EA-10115A-22	40-7A1	1
		EA-10018-4	17-1	1			EA-101-2	7	1			EA-10115A-24	42-7A1	1
		EA-10018-5	6-1	2			EA-101-24	7	1			EA-10115A-26	56-8A1	1
		EA-10019-1	49-A	8			EA-101-25	7	1			EA-10115A-9	5-8A1	2
		EA-10019-2	6-4A	1			EA-101-27	5	1			EA-10116	10-9	1
		EA-10019-3	49-4A	5			EA-101-29	5	1			EA-10117A-1	10-7	1
		EA-10019-4	41-1A	2			EA-101-3	7	1			EA-10118A	56-1	1
		EA-10019-5	54-7F3	4			EA-101-8	7	1			EA-10119-4	55-1A	4
		EA-10040	64-8A2	102			EA-101-9	7	1			EA-10119	44-10	11
		EA-10060	61-1A1	172			EA-101-311188-1L & 1R	7	1			EA-1012	93-1	4
		EA-10062	66-1C1	52			EA-101-311188-2	7	1			EA-10120	9-9F	3
		EA-10063	58-1A2	93			EA-101-4	7	1			EA-10136	67-1A	11
		EA-10064	69-4A3	69			EA-101A-14	9	1			EA-10138	67-1B	15
		EA-10064-1	58-4A4	90			EA-101A-15	9	1			EA-10143B	59-4	4

RESCINDED

EO 20-85BA-4

Section III
Numerical Parts List

Property Classification				Property Classification				Property Classification						
U.S. Army	U.S. Navy	Part Number	Figure and Index Number	Total Qty	U.S. Army	U.S. Navy	Part Number	Figure and Index Number	Total Qty	U.S. Army	U.S. Navy	Part Number	Figure and Index Number	Total Qty
		EA-10144	10-14	4			EA-10210C-3	1-7J	2			EA-10380	25-10F	22
		EA-10146-1	37-4A	13			EA-10210C-6	5-8H	8			EA-10390	25-9	18
		EA-10146-2	64-4B	2			EA-10210D-6	68-7	1			EA-10391	25-10	40
		EA-10146-3	42-4B	2			EA-10210K15	67B-28	1			EA-10391-2	53-7	2
		EA-10146-4	50-2B	6			EA-10210L6	67B-26	1			EA-10392	25-12A	18
		EA-10146-5	67-4C	1			EA-10214-5	16-9C	2			EA-10393	25-12	18
		EA-10146-6	67-8C	1			EA-10216	14-8	10			EA-10394	28-12	44
		EA-10146-7	59-5B	4			EA-10220	11-4	1			EA-10395	25-9B	18
		EA-10146-9	54-4B	1			EA-10220-1	28-10	26			EA-104-16	24	1
		EA-10150	9-9F	3			EA-10223	28-11	50			EA-104-5	22	1
		EA-10151C-1	9-8	1			EA-10223A	28-14	50			EA-104-8	22	1
		EA-10152C	9-8A	1			EA-10226	28-8A1	28			EA-104-9	22	1
		EA-10153A	59-8E	4			EA-10227	28-8H2	58			EA-104A-6	26	1
		EA-10165	59-3	32			EA-10229	25-16	AR			EA-104A-3	27	1
		EA-10166	44-2	98			EA-10230	11-1C	6			EA-10401C-1	22-9	9
		EA-10191	24-1	6			EA-10231	30-7B	2			EA-10401C-2	22-9	8
		EA-10191-2	44-1	3			EA-10232	30-7C	2			EA-10401D-1	24-9	1
		EA-10191-3	42-1	2			EA-10233A	28-9C	44			EA-10402C	24-9A	10
		EA-102-1	12	1			EA-10235A	30-4A	2			EA-10402C-5	22-9A	8
		EA-102-1F	12	1			EA-10235-7	11-1A	1			EA-10405-1	22-8	8
		EA-102-10	16	1			EA-10235-8	28-7A	24			EA-10405-16	24-8	9
		EA-102-11	18	1			EA-10235-9	2-7A	2			EA-10405-3	26-8	1
		EA-102-13	21	1			EA-10236	11-4E	1			EA-10405-6	26-8	1
		EA-102-16	20	1			EA-10237	28-9A	46			EA-10405-9	22-8	9
		EA-102-19	18	1			EA-10243	11-3A	1			EA-10410-1	22-10	8
		EA-102-27	18	1			EA-10244	11-5	1			EA-10410-13	46-8	1
		EA-102-29	18	1			EA-10249	28-9B	47			EA-10410-15	48-8	2
		EA-102-8	14	1			EA-10253	11-4D	1			EA-10410-2	55-1	1
		EA-102AN-16	62A	1			EA-10254	11-4A	1			EA-10410-7	7-9	2
		EA-102AN-52	62A	1			EA-10254-1	28-10A3	26			EA-10410-8	24-10	11
		EA-10201AN-1	62A-10	1			EA-10257	28-10A	26			EA-10410A-1	26-10	1
		EA-10201C-1	12-9	1			EA-10259	28-8B1	29			EA-10410A-3	59-9	1
		EA-10201C-7	14-9	1			EA-10260	28-13	44			EA-10410A-4	56-9	1
		EA-10201D-1	20-9	1			EA-10265	11-4B	1			EA-10416	24-9A2	18
		EA-10201D-6	18-9	2			EA-10266	11-4C	1			EA-10418	5-8D	6
		EA-10201D-8	16-9	1			EA-10267	26-9K	169			EA-10443	24-3	11
		EA-10201D-9	18-9	2			EA-10267-1	28-1A3	95			EA-10451C-1	26-9	1
		EA-10202AN-1	62A-17	1			EA-10269	28-7B	26			EA-10452C	26-9A	1
		EA-10202C-1	20-9A	3			EA-10271	28-7B2	26			EA-108-11C	33	1
		EA-10202C-2	14-9A	1			EA-10280	30-7A	2			EA-108-13	29	1
		EA-10202C-3	16-9A	1			EA-10283-1	14-1C	5			EA-108-16	33	1
		EA-10205-1	12-7	1			EA-10283-2	64-1C	4			EA-108-19	33	1
		EA-10205-1F	12-7	1			EA-10285	26-11	10			EA-108-26	33	1
		EA-10205-10	14-7	1			EA-10286	11-1B	1			EA-108-5	29	1
		EA-10205-11	18-7	1			EA-10287-1	28-7B1	26			EA-108-6	31	1
		EA-10205-13	20-7	1			EA-10288	28-8A2	27			EA-108-6F	31	1
		EA-10205-16	20-7	1			EA-10289	257	18			EA-108-839F	35	1
		EA-10205-19	18-7	1			EA-10292-10	28-7	24			EA-108-839R	35	1
		EA-10205-27	18-7	1			EA-10292-9	11-1	1			EA-108W-17	37	1
		EA-10205-29	18-7	1			EA-10292A	30-4	2			EA-108W-31	37	1
		EA-10205AN-16	62A-5	1			EA-10293	28-8	26			EA-1080	78-8	19
		EA-10205AN-52	62A-5	1			EA-10294	30-7	2			EA-10801B-1	29-9	1
		EA-10209-10	49-11	4			EA-10295	28-8B	31			EA-10801C-1	31-9	2
		EA-10209B-1	28-9	15			EA-10297	28-8A	28			EA-10801C-3	62-7	1
		EA-10209B-2	28-9	11			EA-10298B3	11-3	1			EA-10802B	29-9A	1
		EA-10209B-3	8-9	2			EA-10333	56-9B1	1			EA-10802C	31-9A	4
		EA-10209B-5	17-8	5			EA-10360	25-9A	19			EA-10805-11C	33-8	1
		EA-10209B-6	25-11	4			EA-10361	25-10A	22			EA-10805-13	29-8	1
		EA-10209B-7	4-11	5			EA-10362	25-10B	37			EA-10805-16	33-8	1
		EA-10210A-4	29-9H	1			EA-10363	28-10A2	70			EA-10805-17	37-8	1
		EA-10210A-5	26-9M	14			EA-10364	25-12A1	18			EA-10805-24	35-8	1
		EA-10210A-6	24-9H	7			EA-10365	28-10A4	54			EA-10805-25	35-8	1
		EA-10210A-7	48-7K	2			EA-10366	28-10A1	44			EA-10805-26	33-8	1
		EA-10210A-8	64-8J	1			EA-10367	25-13	17			EA-10805-31	37-8	1
		EA-10210B-4	29-9J	1			EA-10368	25-10B	44			EA-10805-5	29-8	1
		EA-10210B-5	26-9N	10			EA-10370	28-12B	4			EA-10805-6	31-8	1
		EA-10210B-6	24-9J	4			EA-10371	28-12A	62			EA-10805-6F	31-8	1
		EA-10210B-7	48-7L	2			EA-10372	25-9B1	18			EA-10810B-10	31-10	1
		EA-10210B-8	64-8K	1			EA-10373	28-12C	44			EA-10810B-12	62-8	1
		EA-10210C-2	9-8D	1			EA-10374	25-8	18			EA-10810B-13	35-10	1

Section III
Numerical Parts List

EO 20-85BA-4

Property Classification			Property Classification			Property Classification			Property Classification					
U.S. Army	U.S. Navy	Part Number	Figure and Index Number	Total Qty	U.S. Army	U.S. Navy	Part Number	Figure and Index Number	Total Qty	U.S. Army	U.S. Navy	Part Number	Figure and Index Number	Total Qty
EA-10810B-14			64-9	1	EA-1205-102			70-20	3	EA-1205-225			133-21	1
EA-10810B-16			37-11	1	EA-1205-104			115-21	1	EA-1205-226			137-21	1
EA-10810B-2			29-10	2	EA-1205-108			100-19	1	EA-1205-230			124-21	1
EA-10810B-20			64-9A	1	EA-1205-110			97-21	1	EA-1205-236			124-21	1
EA-10810B-27			64-9A	1	EA-1205-111			83-21	4	EA-1205-237			124-21	1
EA-10810B-6			1-8	2	EA-1205-112			145-22	3	EA-1205-248			115-21	1
EA-10810B-7			20-10	2	EA-1205-113			86-21	22	EA-1205-249			35-21	1
EA-10810B-8			14-10	3	EA-1205-117			83-21	2	EA-1205-250			121-24	1
EA-10811D-1			31-9A3	6	EA-1205-118			86-21	4	EA-1205-252			137-21	1
EA-10811D-2			14-9A2	5	EA-1205-127			137-21	8	EA-1205-253			137-21	1
EA-10811D-3			54-7A4	2	EA-1205-129			70-20	2	EA-1205-254			84-20	1
EA-10812			26-99Q	86	EA-1205-130			85-21	1	EA-1225			44-7A4	AR
EA-10819			14-1D	14	EA-1205-131			130-21	10	EA-1235			79-4A	148
EA-10824-1			14-10A	11	EA-1205-136			85-21	1	**EA-1236			79-3	157
EA-10824-2			37-11A	1	EA-1205-140			70-20	2	EA-1237			79-4B	AR
EA-10824-3			35-10A	1	EA-1205-141			70-20	2	EA-1238			79-4C	AR
EA-10824-7			64-9A	1	EA-1205-142			70-20	2	EA-1239			79-4D	AR
EA-10825			26-9P	91	EA-1205-143			96-24	1	EA-124-10			44	1
EA-10830-7			29-9A1	1	EA-1205-144			97-21	2	EA-124-11			44	1
EA-10830-9			3-7A1	2	EA-1205-153			144-21	1	EA-124-12			46	1
EA-10830-11			14-9A1	4	EA-1205-154			144-21	1	EA-124-13			46	1
EA-10830-13			31-9A1	4	EA-1205-159			88-21	1	EA-124-14			46	1
EA-10830-16			37-10A1	2	EA-1205-161			80-21	3	EA-124-15			44	1
EA-10830-17			16-9A1	1	EA-1205-162			80-21	1	EA-124-24			48	1
EA-10836			14-1A	14	EA-1205-163			80-21	1	EA-124-25			48	1
EA-10838			14-1B	14	EA-1205-168			70-20	2	EA-124-26			48	1
EA-10844			14-3	14	EA-1205-169			91-24	1	EA-124-29			44	1
EA-10888			50-2A	1	EA-1205-170			83-21	2	EA-124-30			44	1
EA-10890			29-4	2	EA-1205-173			115-21	1	EA-124-31			48	1
EA-10890-1			31-4	5	EA-1205-175			124-21	2	EA-124-32			48	1
EA-10890-1F			62A-4	2	EA-1205-176			132-16	1	EA-124-4			48	1
EA-10890-1L			16-4	5	EA-1205-180			185-22	1	EA-124-51			48	1
EA-10890-1Y			14-4	7	EA-1205-181			85-21	1	EA-124-53			48	1
EA-10890-14			67-4	1	EA-1205-182			115-21	1	EA-124-8			44	1
EA-10890-14F			67A-3	1	EA-1205-183			115-21	1	EA-124AN-39			48A	1
EA-10890-2			64-4	2	EA-1205-185			70-20	1	EA-124AN-52			48A	1
EA-10890-2F			62A-4	1	EA-1205-186			70-20	1	EA-124AN-65			48A	1
EA-10890-2Y			62-4	2	EA-1205-187			70-20	1	EA-124AN-82			48A	1
EA-10890-3Y			40-4	7	EA-1205-188			81-18	1	EA-124AN-89			48A	1
EA-10890-4			50-2	4	EA-1205-189			81-18	1	EA-124AN-94			48A	1
EA-10890-4F			48A-4	1	EA-1205-191			83-21	2	EA-124AN-102			48A	1
EA-10890-4Y			44-4	6	EA-1205-192			83-21	2	EA-124AN-104			48A	1
EA-10890-5L			1-4	1	EA-1205-193			84-20	2	EA-12401AN-1			48A-9	1
EA-10890-5Y			3-4	1	EA-1205-194			84-20	2	EA-12401AN-5			48A-9	1
EA-10890-7			26-4	2	EA-1205-195			84-20	2	EA-12401C-1			44-7	1
EA-10890-7F			67B-4	1	EA-1205-196			84-20	2	EA-12401C-2			46-7	1
EA-10890-7L			22-4	4	EA-1205-197			84-20	1	EA-12401D-1			48-7	1
EA-10890-7Y			24-4	2	EA-1205-198			83-21	2	EA-12402-1			48A-21	1
EA-10890-8F			67A-5	1	EA-1205-199			91-24	2	EA-12402AN-1			48A-21	1
EA-10890-8Y			67-8	1	EA-1205-200			87-21	1	EA-12402AN-4			48A-21	1
EA-10890-9			54-4	4	EA-1205-201			87-21	2	EA-12402C			44-7A	1
EA-10891			1-1	7	EA-1205-202			133-21	1	EA-12402C-1			46-7A	1
EA-10891-1			14-1	5	EA-1205-203			124-21	2	EA-12403AN-1			48A-13	1
EA-10891-2			62-1	2	EA-1205-204			132-16	2	EA-12405-10			44-6	1
EA-10892C-1			40-7A	1	EA-1205-205			122-21	1	EA-12405-11			44-6	1
EA-10893-1			0-2C	1	EA-1205-206			144-21	2	EA-12405-12			46-6	1
EA-109-1			40	1	EA-1205-207			132-16	2	EA-12405-13			46-6	1
EA-109-12			40	1	EA-1205-208			132-16	1	EA-12405-14			46-6	1
EA-109-3			40	1	EA-1205-209			115-21	1	EA-12405-15			44-6	1
EA-109-4			40	1	EA-1205-210			115-21	2	EA-12405-24			48-6	1
EA-10901R-1			40-7	1	EA-1205-211			131-20	1	EA-12405-25			48-6	1
EA-10905-1			40-6	1	EA-1205-212			133-21	1	EA-12405-26			48-6	1
EA-10905-12			40-6	1	EA-1205-213			86-21	1	EA-12405-29			44-6	1
EA-10905-3			40-6	1	EA-1205-214			86-21	2	EA-12405-30			44-6	1
EA-10905-4			40-6	1	EA-1205-217			120-21	4	EA-12405-31			48-6	1
EA-111-1			42	1	EA-1205-218			120-21	2	EA-12405-32			48-6	1
EA-11101C-1			42-7	1	EA-1205-220			114-17	1	EA-12405-51			48-6	1
EA-11102C-1			42-7A	1	EA-1205-221			115-21	1	EA-12405-53			48-6	1
EA-11105-1			42-8	1	EA-1205-222			123-2	1	EA-12405AN-39			48A	1
EA-1203			70-7	141	EA-1205-223			99-19	2	EA-12405AN-52			48A	1

RESCINDED

Property Classification		Figure and Index Number	Total Qty	Property Classification		Figure and Index Number	Total Qty	Property Classification		Figure and Index Number	Total Qty
U.S. Army	U.S. Navy			U.S. Army	U.S. Navy			U.S. Army	U.S. Navy		
EA-12405AN-65		48A	1	EA-1252-297		124-26	1	EA-1252-433		137-27	1
EA-12405AN-82		48A	1	EA-1252-298		86-29	4	EA-1252-434		131-30	1
EA-12405AN-89		48A	1	EA-1252-300		132-1	1	EA-1252-435	148A-42		1
EA-12405AN-94		48A	1	EA-1252-304		145-35	1	EA-1252-436		137-27	1
EA-12405AN-102		48A	1	EA-1252-307		145-35	1	EA-1252-437		137-27	1
EA-12405AN-104		48A	1	EA-1252-309		145-35	1	EA-1252-438	148A-42		1
EA-1242		70-16	AR	EA-1252-310		85-26	1	EA-1252-440		84-25	1
EA-1243		160-18	2	EA-1252-311		115-26	1	EA-1252-467		124-26	2
EA-1245		70-40	136	EA-1252-312		115-26	1	EA-1252-472		124-26	1
EA-1246		70-17	113	EA-1252-313		70-32	1	EA-1252-475		124-26	1
EA-1247		77-4	73	EA-1252-314		70-32	1	EA-1252-481	148A-42		1
EA-1249-4		86-22	1	EA-1252-315		70-32	1	EA-1252-482	148A-42		1
EA-125AN-2		49A	1	EA-1252-316		81-23	3	EA-1252-483	148A-42		1
EA-12501AN-1		49A-9	1	EA-1252-318		83-26	1	EA-1252-491		99-25	1
EA-12502AN-1		49A-17	1	EA-1252-319		83-26	1	EA-1253-102		77-5	2
EA-12505AN-2		49A-5	1	EA-1252-320		83-26	1	EA-1253-103		77-5	1
EA-1252-178		87-28	2	EA-1252-321		86-29	1	EA-1253-107		77-5	2
EA-1252-201		83-26	2	EA-1252-322		84-25	2	EA-1253-110		77-5	4
EA-1252-202		70-32	3	EA-1252-323		84-25	1	EA-1253-111		77-5	3
EA-1252-203		130-29	1	EA-1252-324		84-25	2	EA-1253-114		77-5	1
EA-1252-204		137-27	1	EA-1252-325		96-29	1	EA-1253-115		77-5	2
EA-1252-206		86-29	3	EA-1252-326		91-29	1	EA-1253-116		77-5	4
EA-1252-207		100-27	1	EA-1252-327		91-29	1	EA-1253-122		77-5	2
EA-1252-211		97-26	1	EA-1252-328		89-26	1	EA-1253-125		77-5	2
EA-1252-212		145-35	1	EA-1252-329		87-28	1	EA-1253-127		77-5	1
EA-1252-213		145-35	1	EA-1252-330		89-26	1	EA-1253-129		77-5	2
EA-1252-214	148A-42		1	EA-1252-331		86-29	1	EA-1253-130		77-5	1
EA-1252-216		84-25	2	EA-1252-332		133-26	1	EA-1253-133		77-5	1
EA-1252-218		83-26	3	EA-1252-333		124-26	2	EA-1253-135		77-5	1
EA-1252-219		87-28	2	EA-1252-334		132-21	1	EA-1253-137		77-5	2
EA-1252-220		86-29	2	EA-1252-335		132-21	1	EA-1253-138		77-5	2
EA-1252-224		70-32	2	EA-1252-336		132-21	1	EA-1253-139		77-5	2
EA-1252-225		70-32	2	EA-1252-337		132-21	1	EA-1253-140		77-5	2
EA-1252-226		86-29	5	EA-1252-338		122-26	1	EA-1253-147		77-5	1
EA-1252-228		87-28	1	EA-1252-340		132-21	1	EA-1253-148		77-5	2
EA-1252-230		70-32	1	EA-1252-341		115-26	1	EA-1253-152		77-5	1
EA-1252-235		116-26	1	EA-1252-342		115-26	1	EA-1253-154		77-5	3
EA-1252-239		144-29	2	EA-1252-344		133-26	1	EA-1253-155		77-5	1
EA-1252-240		85-26	1	EA-1252-345		86-29	1	EA-1253-156		77-5	1
EA-1252-242		87-28	3	EA-1252-346		86-29	1	EA-1253-161		77-5	2
EA-1252-243		115-26	2	EA-1252-347		86-29	1	EA-1253-165		77-5	1
EA-1252-244		70-32	2	EA-1252-348		88-27	2	EA-1253-167		77-5	2
EA-1252-246		85-26	1	EA-1252-349		145-35	1	EA-1253-168		77-5	1
EA-1252-247		148-38	1	EA-1252-351		145-35	1	EA-1253-173		77-5	1
EA-1252-248		137-37	1	EA-1252-352		145-35	1	EA-1253-174		77-5	1
EA-1252-249		86-29	1	EA-1252-353		90-21	1	EA-1253-175		77-5	2
EA-1252-250		148-38	1	EA-1252-354		97-26	2	EA-1253-176		77-5	2
EA-1252-257		84-25	6	EA-1252-355		120-28	2	EA-1253-177		77-5	1
EA-1252-259		144-29	1	EA-1252-356		120-28	2	EA-1253-178		77-5	1
EA-1252-260		144-29	1	EA-1252-357		120-28	1	EA-1253-179		77-5	1
EA-1252-261		144-29	1	EA-1252-359	148A-42		1	EA-1253-181		77-5	2
EA-1252-262		144-29	1	EA-1252-360		114-22	1	EA-1253-182		77-5	2
EA-1252-268		99-25	1	EA-1252-361		123-26	2	EA-1253-183		77-5	2
EA-1252-269		124-26	1	EA-1252-362		123-26	1	EA-1253-184		77-5	2
EA-1252-270		124-26	1	EA-1252-363		125-26	1	EA-1253-185		77-5	2
EA-1252-271		115-26	1	EA-1252-364		125-26	1	EA-1253-186		77-5	2
EA-1252-273		130-29	2	EA-1252-369		138-26	2	EA-1253-187		77-5	1
EA-1252-274		80-27	3	EA-1252-370		138-26	1	EA-1253-188		77-5	2
EA-1252-275		143-35	1	EA-1252-371		138-26	1	EA-1253-189		77-5	2
EA-1252-276		143-35	1	EA-1252-372		98-25	2	EA-1253-190		77-5	2
EA-1252-277		80-27	1	EA-1252-373		137-27	1	EA-1253-192		77-5	2
EA-1252-278		80-27	1	EA-1252-376		124-26	1	EA-1253-193		77-5	2
EA-1252-283		70-32	2	EA-1252-385		148-38	2	EA-1253-194		77-5	1
EA-1252-284		91-29	1	EA-1252-386	148A-42		1	EA-1253-195		77-5	2
EA-1252-287	48A-42		1	EA-1252-387	148A-42		1	EA-1253-196		77-5	2
EA-1252-289	148-38		2	EA-1252-388	148A-42		1	EA-1253-197		77-5	1
EA-1252-290	83-26		1	EA-1252-390	48A-42		1	EA-1253-198		77-5	1
EA-1252-291	85-26		1	EA-1252-410		124-26	1	EA-1253-199		77-5	2
EA-1252-294	84-25		2	EA-1252-421	148A-42		1	EA-1253-200		77-5	1
EA-1252-295	115-26		1	EA-1252-432		115-26	1	EA-1253-201		77-5	1

Section III
Numerical Parts List

EO 20-85BA-4

Property Classification			Property Classification			Property Classification								
U.S. Army	U.S. Navy	Part Number	Figure and Index Number	Total Qty	U.S. Army	U.S. Navy	Part Number	Figure and Index Number	Total Qty	U.S. Army	U.S. Navy	Part Number	Figure and Index Number	Total Qty
		EA-1253-206	77-5	4			EA-1259-170	77-1	2			EA-12845	26-5B	31
		EA-1253-207	77-5	2			EA-1259-173	77-1	1			EA-12865	9-9D	4
		EA-1253-209	77-5	1			EA-1259-175	77-1	2			EA-12889	143-34	4
		EA-1253-210	77-5	1			EA-1259-176	77-1	1			EA-1289-10	87-26	1
		EA-1253-211	77-5	1			EA-1259-181	77-1	1			EA-1289-11	130-28	1
		EA-1254	78-14	105			EA-1259-182	77-1	1			EA-1289-5	87-26	8
		EA-1255	138	68			EA-1259-183	77-1	1			EA-1290C	148-42	2
		EA-1255-102	78-12	1			EA-1259-185	77-1	1			EA-1290M	85-31	1
		EA-1255-102A	80-29	1			EA-1259-186	77-1	1			EA-1291-1	78-9	12
		EA-1255-103	78-12	1			EA-1259-187	77-1	1			EA-1291-2	78-10	12
		EA-1255-103A	70-34	1			EA-1259-188	77-1	1			EA-1291M	70-38	10
		EA-1255-104	78-12	4			EA-1259-189	77-1	1			EA-1292	78-11	10
		EA-1255-104A	91-31	4			EA-1259-191	77-1	2			EA-1294	70-36	37
		EA-1255-105	78-12	4			EA-1259-192	77-1	2			EA-1294-1	86-35	9
		EA-1255-105A	83-28	4			EA-1259-193	77-1	2			EA-1294-2	115-32	1
		EA-1255-107	78-12	7			EA-1259-194	77-1	2			EA-1294-3	148-42	2
		EA-1255-107A	83-28	7			EA-1259-195	77-1	2			EA-134-1	50	1
		EA-1255-108	78-12	1			EA-1259-196	77-1	2			EA-13401-1	50-8	1
		EA-1255-108A	131-27	1			EA-1259-197	77-1	1			EA-13402-1	51-1	1
		EA-1255-109	78-12	1			EA-1259-198	77-1	2			EA-13403-2	51-2A	1
		EA-1255-109A	115-29	1			EA-1259-199	77-1	2			EA-13404-1	51-2	1
		EA-1255-112A	148-4	1			EA-1259-200	77-1	1			EA-13405-1	50-6	1
		EA-1255-113	91-31	1			EA-1259-201	77-1	2			EA-13411	52-1	1
		EA-1255-113A	148A-41	1			EA-1259-202	77-1	1			EA-13412	50-1F	2
		EA-1255-114	148A-41	1			EA-1259-203	77-1	2			EA-13413	50-1E	1
		EA-1255-114A	148A-46	1			EA-1259-204	77-1	2			EA-13414	51-2A2	4
		EA-1255-116	78-12	2			EA-1259-205	77-1	1			EA-13447-2	51-2A1	1
		EA-1255-116A	70-34	1			EA-1259-206	77-1	2			EA-1379	137-39	1
		EA-1255-119	78-13	2			EA-1259-207	77-1	1			EA-140-4	54	1
		EA-1255-119-1	78-13	20			EA-1259-208	77-1	1			EA-140-5	54	1
		EA-1255-119-1A	87-3	19			EA-1259-209	77-1	1			EA-140-6	54	1
		EA-1255-119-2	78-3	1			EA-1259-210	77-1	2			EA-14001D-1	54-7	1
		EA-1255-119-2A	132-24	1			EA-1259-211	77-1	1			EA-14002C-1	54-7A	1
		EA-1255-119A-1	148A-46	1			EA-1259-212	77-1	1			EA-14005-4	54-6	1
		EA-1255-119A	86-33	2			EA-1259-213	77-1	1			EA-14005-5	54-6	1
		EA-1255-123	78-12	2			EA-1259-214	77-1	2			EA-14005-6	54-6	1
		EA-1255-123A	123-29	2			EA-1259-217	77-1	4			EA-14010-1	43-1	1
		EA-1255-124	78-12	1			EA-1259-218	77-1	2			EA-14010-2	41-1	1
		EA-1255-124A	86-32	1			EA-1259-220	77-1	1			EA-14011	40-7H1	6
		EA-1255-126A	145-37	1			EA-1259-221	77-1	1			EA-14011-2	42-7H	1
		EA-1255-2	78-12	13			EA-1259-222	77-1	1			EA-14011-6	40-7H	1
		EA-1255-2A	81-25	13			EA-1259-223	77-1	2			EA-14011-7	54-7F	1
		EA-1255-6	78-12	8			EA-1259-225	77-1	1			EA-14020	41-1F	3
		EA-1255-6A	115-28	8			EA-1259-226	77-1	1			EA-14021-1	41-1C	7
		EA-1256	86-36	9			EA-1259-248	77-1	1			EA-14021-2	41-1E	2
		EA-1257	71-2	264			EA-1259-253	77-1	1			EA1-4022	41-10	7
		EA-1257-1	80-33	26			EA-1260	77-2	136			EA-1403	102-7	3
		EA-1258	70-29	127			EA-1260-1	148-24A	6			EA-1404	102-11	3
		EA-1259-102	77-1	3			EA-1261	99-6	4			EA-1407-10	102-6	1
		EA-1259-108	77-1	1			EA-1262	99-6A	4			EA-1407-14	101-6	1
		EA-1259-111	77-1	4			EA-1268	78-3	104			EA-1407-16	101-6	2
		EA-1259-112	77-1	3			EA-1269-1	78-4	52			EA-1407-3	102-6	1
		EA-1259-113	77-1	22			EA-1270	78-1	81			EA-1407-4	102-6	1
		EA-1259-117	77-1	2			EA-1270-1	78-1	1			EA-1409	102-10	3
		EA-1259-118	77-1	4			EA-1278	70-45	139			EA-1410	103-11	6
		EA-1259-127	77-1	6			EA-1279-279	87-28	1			EA-1414	102-11A	3
		EA-1259-129	77-1	2			EA-1280	78-2	105			EA-1415	108-2	6
		EA-1259-130	77-1	1			EA-1280-2	78-2	1			EA-1416	108-1	3
		EA-1259-131	77-1	10			EA-1281	78-11C	AR			EA-1417	108-3	3
		EA-1259-136	77-1	1			EA-12833	26-12	5			EA-1418	102-7A	3
		EA-1259-140	77-1	2			EA-12833-16	26-12	1			EA-1419	102-7B	3
		EA-1259-141	77-1	2			EA-12843-1	29-6	8			EA-1421	102-7D	3
		EA-1259-142	77-1	2			EA-12843-2	26-6	26			EA-1424	106-1	1
		EA-1259-143	77-1	1			EA-12843-3	62-7B	8			EA-1424-4	106-1	1
		EA-1259-144	77-1	2			EA-12843-4	44-7B	16			EA-1424-9	106-1	1
		EA-1259-159	77-1	1			EA-12843-5	40-7B	18			EA-1425-1	106-5	4
		EA-1259-161	77-1	3			EA-12844-1	26-5A	8			EA-1426	100-2	5
		EA-1259-162	77-1	1			EA-12844-2	26-6A	13			EA-1427	106-3	6
		EA-1259-163	77-1	1			EA-12844-3	62-7B1	2			EA-1428	106-4	4
		EA-1259-168	77-1	2			EA-12844-4	40-71	8			EA-1429	106-7	1

RESCINDED

EO 20-85BA-4

Section III
Numerical Parts List

Property Classification		Figure and Index Number		Total Qty	Property Classification		Figure and Index Number		Total Qty	Property Classification		Figure and Index Number		Total Qty
U.S.	U.S. Army Navy	Part Number			U.S.	U.S. Army Navy	Part Number			U.S.	U.S. Army Navy	Part Number		
		EA-143-1M	56	1			EA-148AN-23-24	62A	1			EA-15AW-VS-		
		EA-143A-4	60	1			EA-148W-14	64	1			06-45-1005	88	1
		EA-143AN-8	56A	1			EA-148W-3	64	1			EA-15AW-162B5748	90	1
		EA-14301AN-1	56A-9	1			EA-148W-7	64	1			EA-15AW-213	87	1
		EA-14302AN-1	56A-18	1			EA-14801AN-1	62A-10	1			EA-15AW-27-685-001-1	86	1
		EA-14303AN-1	56A-10	1			EA-14801AN-3	62A-10	1			EA-15AW-4062359	89	1
		EA-14304	26-9B1	3			EA-14801C-1	64-8	1			EA-15AW-4062365	89	1
		EA-14305-1	46-7	1			EA-14801D-1	64-8	1			EA-15AW-4163064	87	1
		EA-14305-4	59-7	1			EA-14801D-2	64-8	1			EA-15AW-444	87	1
		EA-14305AN-8	56A-5	1			EA-14802AN-1	62A-17	1			EA-15AW-53067	87	1
		EA-14308	27-1	4			EA-14802AN-2	62A-17	1			EA-15AW-62-00168-2	86	1
		EA-14309	27-1D	4			EA-14802AN-3	62A-17	1			EA-15AW-62-00168-3	86	1
		EA-1431	101-1	6			EA-14802C	37-10A	2			EA-15AW-62A-00346-2	86	1
		EA-14312A	56-9A	1			EA-14805-1	62-6	1			EA-15AW-62A-00346-3	86	1
		EA-1432	100-10	10			EA-14805-14	64-7	1			EA-15AW-C-162B5784A	96	1
		EA-14323-8	24-10A	13			EA-14805-2	62-6	1			EA-15B-4238874	97	1
		EA-14324-10	46-8A	1			EA-14805-3	64-7	1			EA-15B-82-00353	97	1
		EA-14324-4	26-10A	2			EA-14805-5	62-6	1			EA-15B-82-00353-1	97	1
		EA-14324-7	22-10A	8			EA-14805-7	64-7	1			EA-15BW-208132-1	97	1
		EA-1433	103-14	6			EA-15-C-169539	70	1			EA-15BW-208132-2	97	1
		EA-14333-1	40-1C	4			EA-15-C-169581	70	1			EA-15-VS-36862	85	1
		EA-14333-2	48-1C	6			EA-15-P-5047	83	1			EA-15W-214189-3	70	1
		EA-14333-3	56-2	2			EA-15-P-5048	83	1			EA-15W-24-685-0021	85	1
		EA-1434	106-8	AR			EA-15-10	70	1			EA-15W-24-685-002-2	83	1
		EA-1435	101-5	9			EA-15-11	70	1			EA-15W-249	84	1
		EA-14350	27-1D1	4			EA-15-12	70	1			EA-15W-250	84	1
		EA-14351	27-1D2	8			EA-15-120088	83	1			EA-15W-3-14659	70	1
		EA-14351C-1	59-8	1			EA-15-120089	85	1			EA-15W-3-14659-1	70	1
		EA-14351C-2	56-8	1			EA-15-14	80	1			EA-15W-3-14650-2	70	1
		EA-14352	27-1B4	4			EA-15-15	80	1			EA-15W-4139873	85	1
		EA-14352C-1	56-8A	1			EA-15-16	80	1			EA-15W-4144825	84	1
		EA-14352C	59-8A	1			EA-15-228150	70	1			EA-15W-414825-1	84	1
		EA-14353	27-1C	4			EA-15-3-14867-1	70	1			EA-15W-4147504-1	84	1
		EA-14354	27-1B	4			EA-15-3-14867-2	70	1			EA-15W-4162778	83	1
		EA-14355	27-1B1	4			EA-15-341	84	1			EA-15WC-120090	91	1
		EA-14356	27-1B2	4			EA-15-4113228-2	84	1			EA-15WC-120091	91	1
		EA-14357	27-1B3	4			EA-15-4113228-3	84	1			EA-15WC-216	91	1
		EA-14358	27-1B5	8			EA-15-4113228-4	84	1			EA-150-12	68	1
		EA-14359	27-5	4			EA-15-4113228-5	84	1			EA-150-16	68	1
		EA-14360	27-6	4			EA-15-4136535-2	84	1			EA-150-24	67	1
		EA-14362	27-3	4			EA-15-4136535-3	84	1			EA-150AN-12A	67A	1
		EA-14364	27-1A	4			EA-15-4136535-4	84	1			EA-150AN-17	67A	1
		EA-14366	26-9B2	3			EA-15-4136535-5	84	1			EA-150AN-18	67A	1
		EA-14367	26-9B3	6			EA-15-4174039	85	1			EA-150AN-24	67A	1
		EA-14368	26-9B4	3			EA-15-431070	83	1			EA-150AN-7	67A	1
		EA-14369	26-9B1A	3			EA-15-4310272	85	1			EA-150AN-8	67A	1
		EA-14370	26-9B1B	6			EA-15-4310272-1	83	1			EA-150AN-9	67A	1
		EA-14371	27-1B6	8			EA-15-5105650	70	1			EA-15001AN-1	67A-8	5
		EA-1439	103-16	AR			EA-15-5132925	85	1			EA-15001D-1	67-7	1
		EA-1441	108-4	6			EA-15-88-64820A	81	1			EA-15001D-2	67-7	5
		EA-1443	108-6	3			EA-15-88-64821A	81	1			EA-15002C	67-7A	1
		**EA-1445	79-1	109			EA-15A-F-263661	87	1			EA-15003-1F	67A-3	1
		**EA-1446	79-2B	109			EA-15A-F-263662	87	1			EA-15003-1Y	67-4	1
		EA-1447	102-11C	3			EA-15A-14-685-002L	86	1			EA-15003-4	67A-2	1
		EA-1448	122-11B	6			EA-15A-14-685-002R	86	1			EA-15003-4F	67A-3	1
		EA-1451	103-19	2			EA-15A-162B5835	86	1			EA-15003-5	67A-3	1
		EA-14511-11	67A-2	5			EA-15A-216	87	1			EA-15003-5F	67A-3	1
		EA-14511-3	68-5	1			EA-15A-228151-2	87	1			EA-15004D-1	67-7B	1
		EA-1456	105-4	32			EA-15A-228151-3	87	1			EA-15005-12	67-6	1
		EA-1465	102-2	AR			EA-15A-23-685-001-1	86	1			EA-15005-16	67-6	1
		EA-1466-14	105-1	1			EA-15A-27-421-1039	86	1			EA-15005-24	67-6	1
		EA-1466-16	105-1	2			EA-15A-28-0-2003	88	1			EA-15005AN-7	67A-5	1
		EA-1466-3	105-1	2			EA-15A-342	87	1			EA-15005AN-8	67A-5	1
		EA-1467-1	105-2	6			EA-15A-494	87	1			EA-15005AN-9	67A-5	1
		EA-1468	106-6	6			EA-15A-63-78071	86	1			EA-15005AN-12A	67A-5	1
		EA-1469	103-15	12			EA-15A-63-78071-1	86	1			EA-15005AN-14	67A-5	1
		EA-148-1	62	1			EA-15A-82-00128-2	86	1			EA-15005AN-17	67A-5	1
		EA-148-2	62	1			EA-15A-82-00128-3	86	1			EA-145005AN-17	67A-5	1
		EA-148-5	62	1			EA-15A-9-263661	87	1			EA-15005AN-18	67A-5	1
		EA-148AN-19.	62A	1			EA-15AW-F-263661	87	1			EA-15005AN-24	67A-5	1
							EA-15AW-F-263662	87	1			EA-15008-1F	67A-4	5

Section III
Numerical Parts List

EO 20-85BA-4

Property Classification			Property Classification			Property Classification								
U.S. Army	U.S. Navy	Part Number	Figure and Index Number	Total Qty	U.S. Army	U.S. Navy	Part Number	Figure and Index Number	Total Qty	U.S. Army	U.S. Navy	Part Number	Figure and Index Number	Total Qty
		EA-15008-1Y	67-8	1			EA-1511-52-6	88-8	1			EA-1588	90-35	1
		EA-15008-7	67A-4	1			EA-1511-52-7	130-8	1			EA-1591B	77-3	129
		EA-15008-7F	67A-4	1			EA-1511-526-1	148-10	1			EA-1594	90-1	1
		EA-15008-8	67A-4	1			EA-1511-527-1	148-10	1			**EA-1598	76-2	50
		EA-15008-8F	67A-4	1			EA-1511-53-1	70-8	34			EA-16101-1	148A-5	5
		EA-15011	52-3C	4			EA-1511-53-10	8-11	2			EA-16101-7	148A-5	1
		EA-15013-1	68-4G	1			EA-1511-53-2	115-8	1			**EA-16102-1	92-2	5
		EA-15016	52-3B	4			EA-1511-53-20	86-8	2			EA-16102-2	148A-5B	1
		EA-1502-1	70-5	60			EA-1511-53-4	86-8	6			**EA-16103	95-1	5
		EA-1502-10	110-1	5			EA-1511-53-5	70-8	1			**EA-16104	95-2	5
		EA-1502-11	113-1	1			EA-1511-53-54-1	121-11	1			**EA-16105	92-3	5
		EA-1502-13	130-6	1			EA-1511-53-55-2	121-11	1			**EA-16107	148A-5C	5
		EA-1502-14	130-5	3			EA-1511-53-7	70-8	2			**EA-16108	94-6	5
		EA-1502-16	130-5	1			EA-1511-53-9	115-8	1			**EA-16109	92-1	5
		EA-1502-17	143-6	1			EA-1511-54-1	137-8	3			EA-16109-1	148A-5A	1
		EA-1502-22	148A-7	4			EA-1511-55-1	137-8	3			EA-1611	98-13	6
		EA-1502-24	138-5	3			EA-1511-810-1	115-8	1			EA-1611-189630-2	98	1
		EA-1502-4	143-6	2			EA-1511-82-1	130-8	8			EA-1611-189726-2	98	1
		EA-1502-5	99-5	2			EA-1511-82-2	143-9	2			EA-1611A-29-0-1004	100	1
		EA-1502-6	138-5	4			EA-1511-86-3	89-8	2			**EA-16112-1	94-1	5
		EA-1502P-5	137-5	2			EA-1511-87-1	84-8	3			**EA-16113	93-2	5
		EA-1502PS-1	137-5	7			EA-1511-88-1	84-8	4			**EA-16114	94-6A	5
		EA-1502PS-21	148A-11	1			EA-1511-88-2	145-9	1			**EA-16117	94-6C	5
		EA-1502PS-22	148A-11	1			EA-1512	72-1	116			**EA-16119	95-2A	5
		EA-1502PS-5	137-5	2			EA-1512-1	139-1	2			EA-1612	99-13	1
		EA-1502S-1	70-5	32			EA-1512-2	113-1	111			EA-1612-189630-1	99	1
		EA-1502S-10	103-6	4			EA-1512-3	126-1	5			EA-1612-189726-1	99	1
		EA-1502S-11	103-6	1			EA-1514	71-3A	131			EA-1612A-18R9715	99	1
		EA-1502S-21	148-11	1			EA-1516	72-4	153			**EA-16120	95-2B	5
		EA-1502S-22	148A-7	4			EA-1518	73-3B	AR			**EA-16121	95-2C	15
		EA-1502S-32	124-5	1			EA-1519	87-22	8			**EA-16122	95-2D	5
		EA-1502S-5	115-5	3			EA-1520	71-6	148			**EA-16123	95-1B	5
		EA-15024-4	42-8	2			EA-1521	72-2	91			**EA-16124	95-1C	AR
		EA-15024-5	54-8	1			EA-1521-1	139-2	14			**EA-16125	95-1F	5
		EA-15024-6	40-8	4			EA-1521-4	117-2	1			**EA-16126	95-1E	5
		EA-1504-1	71-1	84			EA-1522	73-7	AR			**EA-16127	92-8	5
		EA-1504-10	110-1	5			EA-1523	72-8	153			**EA-16128	92-4	1
		EA-1504-11	113-1	1			EA-1524	72-5	138			**EA-16129	95-1G	5
		EA-1504-13	127-1	3			EA-1525	70-1	94			**EA-16131	92-5	AR
		EA-1504-14	129-1	3			EA-1525A	138-1	6			**EA-16132	91-7	24
		EA-1504-16	127-1	1			EA-1526	72-9	303			EA-16133	91-1	12
		EA-1504-17	127-1	1			EA-1527	72-6	145			**EA-16133-1	145-1	1
		EA-1504-21	73-1	1			EA-1529	76-4	AR			**EA-16134	92-7	10
		EA-1504-22	119-1	1			EA-1533-1	116-28A	1			**EA-16136-1	92-10	AR
		EA-1504-24	142-1	2			EA-1536	80-34	21			**EA-16137	93-3	10
		EA-1504-4	142-1	2			EA-1536-1	124-33	2			**EA-16138	94-4	5
		EA-1504-5	118-1	26			EA-1542	70-4	186			**EA-16139L	94-5	5
		EA-1504-6	140-1	2			EA-1546	70-10	13			**EA-16139R	94-5	5
		EA-15042-1	67-8A	1			EA-155-13	67	1			**EA-16140	94-2	5
		EA-15043-3	67-4B	1			EA-155AN-14	67A-13	1			EA-16141	91-2	AR
		EA-1505S	73-3	22			EA-1550	71-3D	AR			EA-16142	91-3	AR
		EA-1505S-1	87-5	7			EA-15505-13	67-6	1			EA-16144	145-2	4
		EA-1505S-2	119-3	1			EA-15527-1	68-4A	1			EA-16145	94-3	5
		EA-1505S-5	115-5	7			**EA-1554	76-5A	40			EA-16146	148A-5G	4
		EA-1508	73-10	22			**EA-1555	75-2	41			EA-16147	148A-5L	2
		EA-15090D-1	68-4	1			**EA-1556	76-3	43			EA-16148	148A-5H	2
		**EA-1510	73-10	22			**EA-1557	76-6	46			EA-16152	148A-5B	1
		EA-1511-103-1	137-8	2			EA-1559	73-3C	39			EA-16155-1	148A-5C	1
		EA-1511-50-1	90-10	1			EA-1559-1	131-6C2	1			EA-16163	95-2E	5
		EA-1511-51-1	83-9	10			**EA-1566	76-6	43			**EA-16165	92-6	AR
		EA-1511-51-2	85-9	1			EA-1567	76-5B	3			**EA-16166	95-1J	AR
		EA-1511-51-3	137-8	5			**EA-1567-1	76-5B	45			**EA-16167	95-1D	AR
		EA-1511-51-4	87-8	1			**EA-1569	75-3	46			EA-1619	10-11	AR
		EA-1511-51-6	130-8	1			EA-1575	71-4	139			EA-1625	78-5	13
		EA-1511-51-7	85-9	1			EA-1576	72-10	164			EA-1626	78-6	26
		EA-1511-513-1	80-9	3			EA-1582	71-3F	AR			EA-1630	56A-24	1
		EA-1511-517-1	84-8	2			EA-1583	70-6	147			EA-1631	71-3C	138
		EA-1511-519-1	84-8	2			EA-1584	70-10	12			EA-1631-1	147-3C	4
		EA-1511-52-1	84-8	2			EA-1586	90-5	1			EA-1632	62A-26	24
		EA-1511-52-3	88-8	1			EA-1587	90-4	1			EA-1641	76-1	42

RESCINDED

EO 20-85BA-4

Section III
Numerical Parts List

Property Classification			Property Classification			Property Classification								
U.S. Army	U.S. Navy	Part Number	Figure and Index Number	Total Qty	U.S. Army	U.S. Navy	Part Number	Figure and Index Number	Total Qty	U.S. Army	U.S. Navy	Part Number	Figure and Index Number	Total Qty
**EA-1643			75-4A	44			EA-19004-1	67A-9	5			EA-19202-1	65-20	3
EA-1645			75-1A	42			EA-19008	49A-2A	5			EA-19202-2	39-20	1
**EA-1646			75-4	45			EA-19009-3	62A-2	1			EA-19203	65-15	4
**EA-1647-1			75-4B	44			EA-19010-1	48A-2	1			EA-19204	65-17	4
**EA-1655			75-4C	38			EA-19010-3	56A-2	1			EA-19211-1	65-1A	2
**EA-1656			75-1C	23			EA-19010-5	56A-2	4			EA-19211-2	65-12A	2
EA-1657			73-12	36			EA-19010-7	67B-2	2			EA-19212	65-4A	5
EA-1658			71-3B	142			EA-19011-1	67A-2	5			EA-19213	65-5	8
EA-17-F-170829			102	1			EA-19011-3	67A-2	5			EA-19214	65-6A	4
EA-17-217869			101	1			EA-19011-4	67A-2	2			EA-19215	65-7	4
EA-17BW-208133			102	1			EA-19033	62A-3	1			EA-19216	65-8	6
EA-17W-R-102970F			102	1			EA-19034	56A-3	1			EA-19217	65-3	4
EA-17W-214190			101	1			EA-19041A	67B-5	1			EA-193	64-8A6	3
EA-1701-1			101-4	2			EA-19050-1	56A-11	1			EA-2016	99-6B	10
EA-1701-2			101-4	1			EA-19050-2	49A-11	1			EA-202A-120557	138	1
EA-1701S-1			101-4	2			EA-19051-1	56A-10	1			EA-202A-121404	138	1
EA-1701S-2			102-4	2			EA-19051-10	67A-12	5			EA-203A-120558	138	1
EA-17013-4			68-4H1	2			EA-19051-3	48A-14	1			EA-203A-120585	138	1
EA-17013-6			40-7N1	4			EA-19052-1	62A-18	1			EA-206A-4178896-2	143	1
EA-17013-8			54-7K1	2			EA-19052-2	62A-18	2			EA-207A-4178896-4	143	1
EA-1702-1			102-9	1			EA-19053-1	48A-2A	8			EA-208A-4178896-6	143	1
EA-1702-2			102-9	1			EA-19053-3	56A-2A	1			EA-208A-4178896-7	143	1
EA-1702-7			102-9	1			EA-19054-1	62A-2A	1			EA-216-4130269-2	144	1
EA-1702C-2			101-9	1			EA-19054-2	62A-2A	1			EA-217-4310269-4	144	1
EA-1729			106-7	4			EA-19055	56A-23	4			EA-220VS2-30412L	145	1
EA-1730-814-2			103-1	3			EA-19056	56A-2B	8			EA-220VS2-30412R	145	1
EA-1730-814-3			103-1	2			EA-19057	56A-2C	8			EA-221VS2-304721L	145	1
EA-1730-814-4			103-1	1			EA-19058	52-3A	2			EA-221VS2-304721R	145	1
EA-1730-814-5			103-1	1			EA-19059	62A-13B	3			EA-222VS2-304821L	145	1
EA-1733			103-18	2			EA-19060	49A-20	1			EA-222VS2-304821R	145	1
EA-1734			103-17	2			EA-19061	62A-2C	1			EA-224-2	145	1
EA-17522			114-6E	3			EA-19062	62A-2B	1			EA-224-3	145	1
EA-17612			132-1	6			EA-19063	56A-18	1			EA-225W-1	145	1
EA-17618			132-4	6			EA-19066	49A-18	1			EA-225W-2	145	1
EA-17621			141-2	3			EA-19071	62A-12	1			EA-226-1L	144	1
EA-17636			132-6	3			EA-19073	67A-18	5			EA-226-1R	144	1
EA-17638			91-4	22			EA-19080	67A-31	5			EA-227-2L	144	1
EA-177-114477			132	1			EA-19081	67A-11	5			EA-227-2R	144	1
EA-177-114478			132	1			EA-19092	56A-17	5			EA-228A-15-16635-1	145	1
EA-178-110019			132	1			EA-19093	62A-27	1			EA-228A-15-16635-2	145	1
EA-178-110020			132	1			EA-191A-743	137	1			EA-228A-15-16635-3	145	1
EA-178-110021			132	1			EA-191A-F-263661	137	1			EA-228A-15-16635-5	145	1
EA-178-110022			132	1			EA-191W-162B5785	133	1			EA-228X-15-16635-4L	148	1
EA-17811			132-10	1			EA-191W-1-162B5785C	133	1			EA-228X-15-16635-4R	148	1
EA-17833			132-35	6			EA-191W-1-162B5785F	133	1			EA-240-170A-K-5501	137	1
EA-17811-5-1			131-9	1			EA-191W-1-					EA-303AN-1	67B	1
EA-18W-4099790			114	1			162FK572A	133	1			EA-303AN-3	67B	1
EA-1801			114-1	1			EA-19105	135-3	2			EA-30301AN-1	67B-10	1
EA-1803			114-6	1			EA-19105S	136-3	1			EA-30302AN	67B-18	1
EA-1811			114-11	1			EA-19125	136-3E	AR			EA-30303AN	67B-19	1
EA-1814			114-6A	1			EA-19126	136-3G	3			EA-30304AN	67B-11	1
EA-1815			114-6B	1			EA-19127	133-1A	3			EA-30305AN-1	67B-6	1
EA-1818			81-3	AR			EA-19128	133-1B	3			EA-30305AN-3	67B-6	1
EA-1820			114-4	2			EA-19129-2	137-1C	1			EA-31-1236-1	164	1
EA-1823			114-5	2			EA-19130	133-1	2			EA-3120	164-8	1
EA-1824			81-2	AR			EA-19130-2	137-1	2			EA-343-1	169	1
EA-1827			114-60	3			EA-19131	133-4	6			EA-34312	169	1
EA-190A33G2045			137	1			EA-19132	137-1C	2			EA-35-1139-1	166	1
EA-190A33G2046			137	1			EA-19133	137-1C	2			EA-3512	166	1
EA-190W-170A-K-5416			137	1			EA-19134	134-1C	1			EA-3520	166-9	1
EA-190W-170A-K-5417			137	1			EA-19139	137-1C	1			EA-36-1139	167	1
EA-190W-170A-K-5418			137	1			EA-19144	133-1C	1			EA-36-141	167	1
EA-190W-170A-K-5419			137	1			EA-19145	133-1C	1			EA-36-438	167	1
EA-190W-170A-K-5420			137	1			EA-19146	133-1C	1			EA-3614	167-9	1
EA-190W-170A-K-5421			137	1			EA-19147	137-1C	1			EA-3617	167-9	1
EA-190W-354			137	1			EA-19148	137-1C	1			EA-3618	167-9	1
EA-19002-4			49A-9	1			EA-192	64-8A5	5			EA-41A-1	149	1
EA-19003-4			62A-13	1			EA-19201-1	65-1	2			EA-41A-2	149	1
EA-19003-5			49A-29	2			EA-19201-2	65-12	2			EA-41A-4	149	1
EA-19003-6			49A-30	1										

Section III
Numerical Parts List

EO 20-85BA-4

Property Classification			Property Classification			Property Classification								
U.S. Army	U.S. Navy	Part Number	Figure and Index Number	Total Qty	U.S. Army	U.S. Navy	Part Number	Figure and Index Number	Total Qty	U.S. Army	U.S. Navy	Part Number	Figure and Index Number	Total Qty
		EA-41A-6	149	1			EA-46W-1	149	1			EA-4747-13	151-1A	2
		EA-4401-31	149-13	1			EA-4604	153-12	1			EA-4747-14	151-1A	2
		EA-4401-42	149-13	3			EA-4616	153-12A	1			EA-4747-16	151-1A	1
		EA-4401-44	149-13	6			EA-47-1-24	149	1			EA-4747-17	155-1A	3
		EA-4401-45	149-13	2			EA-47-2C	149	1			EA-4747-22	154-1A	2
		EA-4401-51	149-13	2			EA-47AW-4	149	1			EA-4747-27	156-1A	2
		EA-4401-52	149-13	2			EA-47AW-5	149	1			EA-4747-32	156-1A	3
		EA-4401-54	149-13	1			EA-47W-1	149	1			EA-4747-34	156-1A	2
		EA-4401-55	149-13	1			EA-47W-1-24	149	1			EA-4748	149-21	11
		EA-4401-62	149-13	2			EA-47001	152-2H	4			EA-4749	149-17	1
		EA-4401-63	149-13	2			EA-47002	153-10	11			EA-4749-10-1LY	149-17	1
		EA-4401-64	149-13	1			EA-47008	149-31	24			EA-4749-10-2FM	149-17	1
		EA-4401-65	149-13	1			EA-47009	153-6	16			EA-4749-10-2Y	149-17	1
		EA-4401-71	149-13	2			EA-47012	40-R	8			EA-4749-102-1FM	149-17	1
		EA-4401A-71	149-13	1			EA-47013-1	149-28	3			EA-4749-103-1FM	149-17	1
		EA-4402-31	150-1	1			EA-47013-10	149-28	3			EA-4749-104-1FM	149-17	1
		EA-4402-42	150-1	3			EA-47013-15	149-28	6			EA-4749-105-1FM	149-17	1
		EA-4402-44	150-1	6			EA-47013-2	149-28	10			EA-4749-11-1LY	149-17	1
		EA-4402-45	150-1	2			EA-47013-3	149-28	6			EA-4749-12-1LY	149-17	1
		EA-4402-51	150-1	1			EA-47013-4	149-28	10			EA-4749-13-1Y	149-17	1
		EA-4402-52	150-1	2			EA-47013-5	149-28	9			EA-4749-14-1LY	149-17	1
		EA-4402-54	150-1	1			EA-47013-6	149-28	5			EA-4749-15-1LY	149-17	1
		EA-4402-55	150-1	1			EA-47013-7	149-28	3			EA-4749-15-2FM	149-17	1
		EA-4402-62	150-1	2			EA-47013-8	149-28	5			EA-4749-16-1Y	149-17	1
		EA-4402-63	150-1	2			EA-47013-9	149-28	1			EA-4749-17-1Y	149-17	1
		EA-4402-64	150-1	1			EA-47014	149-26	38			EA-4749-18-1Y	149-17	1
		EA-4402-65	150-1	1			EA-47015	149-29	50			EA-4749-21-1LY	149-17	1
		EA-4402-71	150-1	2			EA-47016	149-30	45			EA-4749-21-2LY	149-17	1
		EA-4403-1	155-1	1			EA-47017	153-26	30			EA-4749-22-1LY	149-17	1
		EA-4403-10	151-1	2			EA-47018	155-11	6			EA-4749-22-2LY	149-17	1
		EA-4403-11	156-1	2			EA-4702	150-11	1			EA-4749-23-3LY	149-17	1
		EA-4403-12	155-1	3			EA-47023	149-14	17			EA-4749-25-1RY	149-17	3
		EA-4403-3	151-1	6			EA-47024	149-22	17			EA-4749-25-2RY	149-17	3
		EA-4403-4	154-1	2			EA-47025	155-1G	37			EA-4749-26-1RY	149-17	1
		EA-4403-5	156-1	3			EA-47027	155-13	18			EA-4749-26-2RY	149-17	1
		EA-4403-6	151-1	1			EA-4703-1	150-11	17			EA-4749-27-1RY	149-17	1
		EA-4403-8	156-1	3			EA-47031	149-2D	AR			EA-4749-27-2RY	149-17	1
		EA-4406-3	150-16	1			EA-4704	154-9	23			EA-4749-28-1Y	149-17	1
		EA-4406-5	150-16	1			EA-47050	153-6B	7			EA-4749-2B-2Y	149-17	1
		EA-4406-6	150-16	2			EA-4706	153-1A	20			EA-4749-29-1Y	149-17	1
		EA-4406-7	150-16	2			EA-47071	152-2E1	25			EA-4749-29-2Y	149-17	1
		EA-4407-3	152-1	1			EA-47074	150-2D	12			EA-4749-30-1Y	149-17	1
		EA-4407-5	152-1	1			EA-47075	150-15	19			EA-4749-30-2Y	149-17	1
		EA-4407-6	152-1	2			EA-47076	152-2C	42			EA-4749-41-1L	149-17	2
		EA-4407-7	152-1	2			EA-47077	152-2E2	25			EA-4749-41-2L	149-17	2
		EA-4408-2	154-23	2			EA-47081	150-3	AR			EA-4749-42-1L	149-17	2
		EA-4408-4	156-23	8			EA-47086	155-2	75			EA-4749-42-2L	149-17	2
		EA-4409-1	152-2A	11			EA-47091	155-4	AR			EA-4749-43-1L	149-17	2
		EA-4409-2	152-2A	12			EA-47092	62A-6	2			EA-4749-44-1L	149-17	1
		EA-4410	152B-2B	21			EA-47096	152-2E	21			EA-4749-45-1L	149-17	1
		EA-4411-1	152-2	6			EA-47099-1	149-2	1			EA-4749-45-1LY	149-17	1
		EA-4411-2	152-2	7			EA-47099-2	149-2	2			EA-4749-45-2L	149-17	1
		EA-4411-3	152-2	12			EA-47099-4	149-2	10			EA-4749-45-2LY	149-17	1
		EA-4412-1	152-3	23			EA-47099-5	50-1	1			EA-4749-45-3LY	149-17	1
		EA-4412-2	152-5	6			EA-4712-1	149-2A	11			EA-4749-45-4LY	149-17	1
		EA-4412-3	152-4	7			EA-4712-2	149-2A	4			EA-4749-46-1L	149-17	1
		EA-4450-3	155-20	4			EA-4712-4	149-2A	10			EA-4749-46-1LY	149-17	1
		EA-4502A	91-15	1			EA-4718	153-6A	24			EA-4749-46-2L	149-17	1
		EA-4504	148-14	1			EA-4719	153-2B	50			EA-4749-46-2LY	149-17	1
		EA-4504A	148A-15	1			EA-4720-1	153-11	14			EA-4749-46-3LY	149-17	1
		EA-4507A	148A-15	1			EA-4720-3	148-31	5			EA-4749-46-4LY	149-17	1
		EA-4509A	148-14	1			EA-4720-4	148-31	2			EA-4749-49-1L	149-17	1
		EA-4510A	148-14	1			EA-4745	155-1	4			EA-4749-49-2L	149-17	1
		EA-4525	70-46	110			EA-4746-1	153-2A	4			EA-4749-50-1L	149-17	1
		EA-4542	70-10	85			EA-4746-2	153-2A	3			EA-4749-50-2L	149-17	1
		EA-4543	83-11	15			EA-4746-3	153-2A	4			EA-4749-52-1Y	149-17	1
		EA-4544	80-11	3			EA-4746-4	153-2A	1			EA-4749-52-2Y	149-17	1
		EA-4546-1	70-9	94			EA-4746-5	153-2A	2			EA-4749-53-1Y	149-17	1
		EA-4546-2	145-10	15			EA-4747-11	155-1A	6			EA-4749-53-2Y	149-17	1
		EA-4551	62A-27	23			EA-4747-12	155-1A	1			EA-4749-54-1LY	149-17	1

RESCINDED

EO 20-85BA-4

Section III
Numerical Parts List

Property Classification		Figure and Index Number	Total Qty	Property Classification		Figure and Index Number	Total Qty	Property Classification		Figure and Index Number	Total Qty
U.S. Army	U.S. Navy			U.S. Army	U.S. Navy			U.S. Army	U.S. Navy		
EA-4749-55-1LY		149-17	1	EA-4774-1		154-23A	2	EA-51505-27		148A-28	1
EA-4749-56-1LY		149-17	1	EA-4778		149-9	25	EA-51505-32		148A-28	1
EA-4749-57-1LY		149-17	1	EA-4781		155-7	50	EA-51505-45		148A-28	1
EA-4749-58-1LY		149-17	1	EA-4783		150-10	13	EA-51505-46		148A-28	1
EA-4749-58-2LY		149-17	1	EA-4785		156-8	23	EA-51505-47		148A-28	1
EA-4749-59-1LY		149-17	1	EA-4786		150-2	75	EA-51506		148A-9	1
EA-4749-59-2LY		149-17	1	EA-4791		150-9	2	EA-51510		148A-56	1
EA-4749-60-1LY		149-17	1	EA-4793		150-8	34	EA-51511-1013-1		148A-6	1
EA-4749-60-2LY		149-17	1	EA-48-12		149	1	EA-51511-103-1		148A-16	2
EA-4749-61-1LY		149-17	1	EA-48-12-24		149	1	EA-51511-51-1		148A-9	1
EA-4749-61-2LY		149-17	1	EA-4813		149	1	EA-51511-52-3		148A-16	1
EA-4749-62-1Y		149-17	1	EA-48-15		149	1	EA-51511-520-1		148A-16	1
EA-4749-63-1Y		149-17	1	EA-48-16		149	1	EA-51511-53-4		148A-16	1
EA-4749-74-1L		149-17	1	EA-48-17T		149	1	EA-51513		148A-16	1
EA-4749-75-1L		149-17	1	EA-48-5		149	1	EA-51513-2		148A-28	1
EA-4749-76-1L		149-17	1	EA-48-5-24		149	1	EA-51525		148A-1	4
EA-4749-77-1L		149-17	1	EA-48AW-1		149	1	EA-51525-1		148A-1	1
EA-4749-78-1LY		149-17	1	EA-48AW-2		149	1	EA-51526		148A-1	1
EA-4749-78-2LY		149-17	1	EA-48AW-6		149	1	EA-51526-1		148A-1	1
EA-4749-79-1LY		149-17	1	EA-48001		152-2H	15	EA-51527		148A-25	8
EA-4749-79-2LY		149-17	1	EA-48100		150-6	2	EA-51529		148A-4	4
EA-4749-80-1Y		149-17	1	EA-48102-2		150-6	3	EA-51530		148A-3	8
EA-4749-80-2Y		149-17	1	EA-48102-3		151-10	2	EA-51533-1		148A-7	4
EA-4749-81-1Y		149-17	1	EA-48102-4		150-6	3	EA-51534		148A-2	3
EA-4749-81-2Y		149-17	1	EA-48102-5		154-10	2	EA-51534-1		148A-2	3
EA-4749-85-1L		149-17	1	EA-48120		150-6	11	EA-51536		148-3	12
EA-4749-90-1Y		149-17	2	EA-48122-1		155-70	3	EA-51537		148A-26	4
EA-4749-91-1Y		149-17	2	EA-48122-10		150-6	3	EA-51540		148A-53	8
EA-4749-96-1FM		149-17	1	EA-48-122-2		150-6	1	EA-51543		148A-32	4
EA-4749-97-1FM		149-17	1	EA-48122-3		155-10	5	EA-51545		148A-38	8
EA-4749-98-1FM		149-17	1	EA-48122-4		155-10	2	EA-51545-1		148A-38	10
EA-4749-101-1FM		149-17	1	EA-48122-5		155-10	1	EA-51547		148A-34	9
EA-4749-102-1FM		149-17	1	EA-48122-6		150-6	2	EA-51549		148A-1A	1
EA-4749-103-1FM		149-17	1	EA-48122-7		151-10	6	EA-51549-1		148A-1A	1
EA-4749-104-1FM		149-17	1	EA-48122-9		151-10	2	EA-51550		148A-1	3
EA-4749-105-1FM		149-17	1	EA-4813		156-1H	10	EA-51552		148A-2	3
EA-4750-4-12		149-10	1	EA-4814		156-1J	6	EA-51571		148A-6	4
EA-4750-4-12-24		149-10	1	EA-4862-1		153-2	4	EA-51572		148A-37	8
EA-4750-4-13		149-10	1	EA-4862-2		153-2	3	EA-51583		148A-12	9
EA-4750-4-15		149-10	1	EA-4862-3		153-2	4	EA-51590-2		148A-35	1
EA-4750-4-16		149-10	1	EA-4862-4		153-2	1	EA-51590-23		148A-35	1
EA-4750-4-17T		149-10	1	EA-4862-5		153-2	2	EA-51590-24		148A-35	1
EA-4750-4-5		149-10	1	EA-4863		153-1	25	EA-51590-27		148A-35	1
EA-4750-4-5-24		149-10	1	EA-4865		156-23E	12	EA-51590-28		148A-35	1
EA-4750-5-4		149-10	1	EA-4869-2		155-20B	12	EA-51590-29		148A-35	1
EA-4750-6-1-24		149-10	1	EA-4873		156-23D	8	EA-51590-5		148A-35	1
EA-4750-6-2C		149-10	1	EA-4875		154-23F	2	EA-51590-6		148A-35	1
EA-4750-7-1		149-10	1	EA-4887-1		150-12	25	EA-51590-7		148A-35	1
EA-4750-7-2		149-10	1	EA-4891		150-9	9	EA-51590-8		148A-35	1
EA-4750-7-4		149-10	1	EA-49-4		149	1	EA-51594		148A-45	1
EA-4750-7-6		149-10	1	EA-49AW-2		149	1	EA-51594-1		148A-45	1
EA-4750W-3-1		149-10	1	EA-49AW-3		149	1	EA-51595		148A-52	3
EA-4750W-4-1		149-10	1	EA-49AW-7		149	1	EA-51596		148A-52	1
EA-4750W-4-2		149-10	1	EA-49W-1		149	1	EA-524A-309		148A	1
EA-4750W-4-6		149-10	1	EA-49001		152-2H	6	EA-529BC-310		148A	1
EA-4750W-5-1		149-10	1	EA-4973		155-20A	4	EA-533-311		148A	1
EA-4750W-5-2		149-10	1	EA-4991		150-9	6	EA-55A-438		160	1
EA-4750W-5-3		149-10	1	EA-4991-1		150-9	2	EA-5504A		160-5	1
EA-4750W-5-7		149-10	1	EA-5109		169A-2	1	EA-5515		160-10	1
EA-4750W-6-1		149-10	1	EA-5115		169A-2B	2	EA-5517		160-8	AR
EA-4750W-6-1-24		149-10	1	EA-5116		169A-3	3	EA-56202-13		148A-11	1
EA-4750W-6-4		149-10	1	EA-5117		169A-2A	1	EA-56202-4		148A-11	1
EA-4750W-6-5		149-10	1	EA-5118		169A-2C	2	EA-56202-9		148A-11	1
EA-4751		149-8	4	EA-5126		10-16	AR	EA-56204-13		147-1	1
EA-4752		149-7	1	EA-515-217		148A	1	EA-56204-4		147-1	1
EA-4753		149-11	4	EA-515WC-216A		148A	1	EA-56204-9		147-1	1
EA-4754		149-12	4	EA-51503		148A-31	4	EA-56209-13		146-1	1
EA-4756		153-12B	1	EA-51505-10		148A-28	1	EA-56209-4		146-1	1
EA-4757		153-1C	74	EA-51505-12		148A-28	1	EA-56209-9		146-1	1
EA-4767-1		154-23B	2	EA-51505-2		148A-28	1	EA-565-201A		148A	1

Section III
Numerical Parts List

EO 20-85BA-4

Property Classification			Property Classification			Property Classification								
U.S. Army	U.S. Navy	Part Number	Figure and Index Number	Total Qty	U.S. Army	U.S. Navy	Part Number	Figure and Index Number	Total Qty	U.S. Army	U.S. Navy	Part Number	Figure and Index Number	Total Qty
		EA-565C-245	148A	1	**EA-6507			79-2	139			EA-7061	160-13P	1
		EA-565AW-259	148A	1	**EA-6510			76-5	44			EA-7063	160-13J	2
		EA-565A-263	148A	1	**EA-6511			75-1	63			EA-7066	162-12	2
		EA-565A-264	148A	1	EA-6516-2			116-28	1			EA-7071	160-13M	1
		EA-565A-265	148A	1	EA-6522			117-3	55			EA-7075	162-10	1
		EA-565W-269	148A	1	EA-6526			117-13	14			EA-7076	162-8	1
		EA-56512	72-1	1	EA-6533			130-46	1			EA-7077	162-7	1
		EA-56512-1	117-1	1	EA-6534			81-1	2			EA-7078	162-6	1
		EA-56542-1	137-10	1	EA-6540			82-1	2			EA-7079A	160-3	1
		EA-56543-1	87-10	1	**EA-6541			82-10	2			EA-7080	162-9	1
		EA-590W-485	148A	1	EA-6542			82-11	6			EA-7081	160-4	4
		EA-6202-1	145-6	6	EA-6543			82-3	2			EA-7083	162-5	1
		EA-6202-4	145-6	2	EA-6544			82-7	2			EA-7084	160-13B	AR
		EA-6202-6	145-6	1	**EA-6545			82-9	6			EA-7085	160-13Q	1
		EA-6202-7	145-6	1	EA-6546			82-2	2			EA-7086	160-13C	1
		EA-6202-8	145-6	4	EA-6548			82-13	2			EA-7087	160-13D	1
		EA-6202S-5	145-6	2	EA-6549			82-6	6			EA-7088	160-13F	2
		EA-6204-5	147-1	2	EA-6550			81-9	2			EA-7097	160-13G	1
		EA-6204-8	147-1	4	EA-6555			115-48	6			EA-7098	160-13K	AR
		EA-6205	147-3	4	EA-6558			70-47	4			EA-7101	160-12	1
		EA-6205S	147-3	2	EA-6561			148-24B	2			EA-7102	161-3	1
		EA-6213	146-6	2	EA-6562			148-33	2			EA-7107	161-4	1
		EA-6214	146-7	2	EA-6563			148-29	2			EA-7114	161-11	2
		EA-6215	147-3F	AR	EA-6564			148-30	2			EA-7115	161-12	1
		EA-6216	147-3J	2	EA-6564-1			148-30	1			EA-7116	161-13	1
		EA-6217	147-3E	AR	EA-6564-4			148-30	1			EA-7120	161-14	6
		EA-6219-1	147-3G	2	EA-6564-5			148-30	1			EA-7130	161-15	1
		EA-6219-2	147-3E	2	ET-6565			148-24	2			EA-7157A	160-13N	1
		EA-6220	147-7	2	EA-6566-A			148-25	2			EA-7701	101-10	3
		EA-6221-1	146-2	6	EA-6566-3			148-25	2			EA-7702-2	101-9	1
		EA-6221-19	146-2	1	EA-6566-4			148-25	1			EA-7702-4	101-9	2
		EA-6221-4	146-2	2	EA-6568			148-21	2			EA-7703	107-2	6
		EA-6221-5	146-2	1	EA-6569			148-21	2			EA-7708	107-2B	12
		EA-6221-8	146-3	4	EA-6571			70-22	11			EA-7709-1	101-7	3
		EA-6221-9	146-2	1	EA-6572-1			70-23	2			EA-7715	107-3	12
		EA-6222-1	146-3	2	EA-6572-2			70-24	2			EA-7718-2	101-7A	3
		EA-6222-13	146-3	1	EA-6573			130-22	9			EA-7719	107-1	3
		EA-6222-4	146-3	2	EA-6576			143-24	8			EA-7721	101-7C	3
		EA-6222-5	146-3	2	EA-6577			143-26	8			EA-7722	101-7B	3
		EA-6222-8	146-3	4	EA-6580			148-26	AR			EA-7724-2	106-1	1
		EA-6222-9	146-3	1	EA-6583			148-27	2			EA-7724-4	106-1	2
		EA-6223	146-4	6	EA-6588			148-37	2			EA-7728	107-2B2	12
		EA-6224-6	146-2		EA-6590			70-21	2			EA-7729	107-2B1	24
		EA-6224-6	146-2	1	EA-6592			115-46	6			EA-7730	107-2A	6
		EA-6224-6	146-3	1	EA-6593			115-47	6			EA-7731	107-2D	12
		EA-6224-7	146-2	1	EA-6596-1			143-23	4			EA-7732	107-2C	AR
		EA-6224-7	146-3	1	EA-6612-141			99	1			EA-7912	66-2	2
		EA-65-141	115	1	EA-6620			99-6A	1			EA-7912-26	61-2	13
		EA-65-144	115	1	EA-6621			99-6	1			EA-7912-28	34-13	4
		EA-65-2140325	115	1	EA-67-VS-133050-AB			101	1			EA-7912-30	45-2	23
		EA-65-2140327	115	1	EA-67W-VS-43103			101	1			EA-7912-32	69-2	16
		EA-65-4222342	115	1	EA-6701S			101-4	1			EA-7912-34	58-5	22
		EA-65A-15504	120	1	EA-7003			161-2	1			EA-7912-38	30-2	2
		EA-65A-15505	120	1	EA-7006			161-1	1			EA-7913-40	49-10C	4
		EA-65A-15506	120	1	EA-7008A			160-13	1			EA-7913-42	49-10C	18
		EA-65A-15507	120	1	EA-7011			162-1	1			EA-7913-44	63-5B3	29
		EA-65A-28-0-3039-31	120	1	EA-7018			161-5	1			EA-7914	64-9C3	AR
		EA-65A-628033	116	1	EA-7019			161-6	1			EA-7914-3	33-10B2	5
		EA-65AW-170-K-5409	121	1	EA-7021			162-14	1			EA-7914-4	44-7J	7
		EA-65AW-8940758	120	1	EA-7024			161-7	1			EA-7914-5	54-K4	2
		EA-65AWC-15504	121	1	EA-7026			162-15	2			EA-7914-6	54-K5	22
		EA-65AWC-15505	121	1	EA-7027A			160-13A	1			EA-7914-7	59-9B2	6
		EA-65B-1-85-088	115	1	EA-7028			161-8	2			EA-7914-8	37-11C5	4
		EA-65B-15508	115	1	EA-7029			162-11	2			EA-7915	16-10B3	AR
		EA-65B-15509	115	1	EA-7031			162-4	7			EA-7915-3	33-10B6	15
		EA-65W-AT-9	115	1	EA-7038			161-10	1			EA-7915-5	42-7P	12
		EA-65-203	115	1	EA-7039			162-13	1			EA-7915-6	44-8B6	11
		EA-6503	79-4	151	EA-7046			160-17	1			EA-7915-7	7-9B5	7
		EA-6505	147-3	2	EA-7047			160-15	AR			EA-7915-8	51-2B5	1
		EA-6506	117-2	30	EA-7048			160-16	1			EA-7916	64-9C5	AR

RESCINDED

EO 20-85BA-4

Section III
Numerical Parts List

Property Classification		Figure and Index Number	Total Qty	Property Classification		Figure and Index Number	Total Qty	Property Classification		Figure and Index Number	Total Qty
U.S. Army	U.S. Navy			U.S. Army	U.S. Navy			U.S. Army	U.S. Navy		
EA-7916-5		54-7K2	6	EA-7954-1		66-5B4	30	EA-8559		84-3A	1
EA-7916-6		40-7N4	14	EA-7954-2		66-5B5	28	EA-8560		77-2	6
EA-7916-7		56-9B2	1	EA-7959		92-11	1	EA-8594-1		148A-40	1
EA-7916-8		62-8B7	4	EA-7960		56A-22	9	EA-8589		86-27	23
EA-7916-9		44-8B5	6	EA-8256		99-3	61	EA-8622		126-15A	8
EA-7917-4		68-4H5	1	EA-84-39-68106		122	1	EA-8623		126-15C	8
EA-7917-5		54-7K3	3	EA-84A-47979-1		123	1	EA-8624		126-13	8
EA-7917-6		68-4H3	14	EA-84A-47979-2		123	1	EA-8625		126-14	AR
EA-7917-7		20-18B3	4	EA-84AW-29-685-001-1		123	1	EA-8626		126-7	8
EA-7917-8		37-11C3	5	EA-84X-1L		148	1	EA-8627		126-15D	AR
EA-7917-9		48-8B	1	EA-84X-1R		148	1	EA-8628		126-15	8
EA7918		64-9C8	AR	EA-85-204		124	1	EA-8721-1		126-2	3
EA-7918-3		46-7L	1	EA-85-766121L		124	1	EA-8721-2		128-2	3
EA-7918-5		64-9C8	4	EA-85-766121R		124	1	EA-8722-1		126-2	1
EA-7918-6		46-8B2	1	EA-85-766125L		124	1	EA-88A-4171346-2		130	1
EA-7918-7		48-8B7	4	EA-85-766125R		124	1	EA-88A-4171346-6		130	1
EA-7919-3		37-11C7	1	EA-85A-306		124	1	EA-88A-4175744-4		130	1
EA-7919-4		64-9C6	1	EA-85A-32R4282		125	1	EA-88P-500		130	1
EA-7919-5		42-7Q6	6	EA-85A-430		124	1	EA-89A-4171346-4		130	1
EA-7919-6		37-11C8	6	EA-85A-476		124	1	EA-89A-4171346-8		130	1
EA-7919-8		64-9C7	1	EA-85AW-120713		125	1	EA-89A-4175744-2		130	1
EA-7926		9-9G	1	EA-85AW-120782		125	1	EA-89P-502		130	1
EA-7928		36-1D	107	EA-85BWC-587		124	1	EA-92W-VS-3330R		131	1
EA-7929		35-9C	10	EA-85BWC-326		124	1	EA-9202S		131-6	1
EA-7930		46-7K	1	EA-85C-203		124	1	EA-9204		131-6A	1
EA-7930-2		62-8B2	1	EA-85-P-47		91	1	EA-9205S		131-6C	1
EA-7930-4		48-7J	2	EA-85W-323		124	1	EA-9714		131-6C1	1
EA-7930-5		24-9E	1	EA-85W-943		124	1	EA-9901-10		83-25	4
EA-7930-6		62-8B2	3	EA-8510		100-31	1	EA-9901-100		133-25	1
EA-7930-8		62-8B3	1	EA-8511-51-1		125-8	1	EA-9901-101		86-28	1
EA-7932-1		56-9B	1	EA-8511-51-3		124-8	2	EA-9901-106		120-27	4
EA-7936-1		12-10B	1	EA-8511-51-4		123-8	1	EA-9901-107		120-27	2
EA-7936-10		62A-19	1	EA-8511-52-1		148-10	1	EA-9901-109		114-21	1
EA-7936-8		59-9B	1	EA-8511-52-2		124-8	2	EA-9901-11		145-34	3
EA-7936-9		56A-12	1	EA-8511-52-3		124-8	1	EA-9901-110		115-25	1
EA-7937-1		1-8C	2	EA-8511-52-6		123-8	1	EA-9901-111		123-25	1
EA-7937-18		56A-14	1	EA-8511-53-1		123-8	1	EA-9901-123		115-25	1
EA-7937-2		16-10B	3	EA-8511-53-2		124-8	1	EA-9901-124		85-25	1
EA-7937-20		62A-19	1	EA-8511-53-3		124-8	1	EA-9901-125		121-29	1
EA-7937-21		67B-14	1	EA-8511-53-6		124-8	1	EA-9901-126		124-25	2
EA-7937-3		31-10B	1	EA-8511-56-1		148-10	10	EA-9901-127		137-26	1
EA-7937-4		31-10B	1	EA-8511-101-1		124-8	1	EA-9901-128		137-26	1
EA-7937-5		7-9B	2	EA-8511-811-1		125-8	1	EA-9901-129		84-24	1
EA-7938-1		44-8B	4	EA-8511-815-1		138-8	1	EA-9901-14		70-31	1
EA-7938-2		62-8B	1	EA-8511-815-2		124-8	2	EA-9901-15		83-25	2
EA-7938-5		48-8B	3	EA-8511-816-1		122-8	1	EA-9901-16		86-28	4
EA-7938-6		62A-19	1	EA-8511-816-2		138-8	2	EA-9901-2		97-25	2
EA-7938-7		48A-17	1	EA-8511-87-1		124-8	1	EA-9901-21		130-28	1
EA-7939-1		48-8B	1	EA-8513		123-41	12	EA-9901-22		83-25	2
EA-7939-4		62A-19	1	EA-8518		78-5	1	EA-9901-25		70-31	2
EA-7940-10		67A-13	1	EA-8519		78-8	1	EA-9901-27		70-31	1
EA-7940-2		42-7Q	1	EA-8521-3		126-2	1	EA-9901-29		70-31	2
EA-7940-4		68-4H	1	EA-8523		98-31	8	EA-9901-3		145-34	1
EA-7940-5		46-8B	3	EA-8524		97-32	11	EA-9901-30		85-25	1
EA-7940-6		37-11C	1	EA-8525		84-33	38	EA-9901-33		137-26	1
EA-7941-1		40-7N	1	EA-8526		70-39	63	EA-9901-35		85-25	1
EA-7941-3		64-9C	1	EA-8527		123-41	1	EA-9901-37		70-31	2
EA-7941-6		51-2B	1	EA-8529		98	1	EA-9901-38		70-31	2
EA-7941-8		49A-12	1	EA-8530		81-32	25	EA-9901-39		96-28	2
EA-7942-1		54-7K	1	EA-8540		130-42	2	EA-9901-4		115-25	1
EA-7943-2		35-10B	1	EA-8541		130-43	2	EA-9901-40		97-25	2
EA-7945-6		65-9C	4	EA-8541-1		85-4	1	EA-9901-44		144-28	1
EA-7947-11		69-10D	22	EA-8542		130-4	4	EA-9901-47		70-31	1
EA-7947-6		65-6B	4	EA-8543		126-13	1	EA-9901-48		86-28	2
EA-7947-7		66-5B5A	23	EA-8544		130-44	4	EA-9901-52		88-26	1
EA-7948-11		69-10E	22	EA-8546		130-50	2	EA-9901-54		80-26	3
EA-7948-6		65-4B	4	EA-8549		130-45	4	EA-9901-55		80-26	1
EA-7948-7		43-14B4A	29	EA-8550		77-6	100	EA-9901-56		80-26	1
EA-7949		55-5	3	EA-8551		130-51	2	EA-9901-61		70-31	2
EA-7950		55-4	6	EA-8552		130-52	2	EA-9901-62		91-28	1

Section III
Numerical Parts List

EO 20-85BA-4

Property Classification			Property Classification			Property Classification			Property Classification					
U.S. Army	U.S. Navy	Part Number	Figure and Index Number	Total Qty	U.S. Army	U.S. Navy	Part Number	Figure and Index Number	Total Qty	U.S. Army	U.S. Navy	Part Number	Figure and Index Number	Total Qty
		EA-9901-65	115-25	1			NPB1021F	12-13	1			NFG100-12	3-10	1
		EA-9901-67	124-25	2			NPB102-11	18-12	1			NPG100-13	3-10	1
		EA-9901-68	132-20	1			NPB102-13	20-12	1			NPG100-16	3-10	1
		EA-9901-7	87-27	2			NPB102-13	16-12	1			NPG100-17	3-10	1
		EA-9901-72	145-34	1			NPB102-16	20-12	1			NPG148-5	62-10	1
		EA-9901-73	85-25	1			NPB102-19	18-12	1			NPH41A-1	149-23	1
		EA-9901-74	115-25	1			NPB102-27	18-12	1			NPH48-15	149-23	1
		EA-9901-75	115-25	1			NFB102-8	14-12	1			NPJ154-1	50-11	1
		EA-9901-76	98-24	2			NPB108-6F	31-13	1			NPJ41A-2	149-23	1
		EA-9901-77	70-31	1			NPB108W-17	37-13	1			NPJ41A-4	149-23	1
		EA-9901-78	81-22	1			NPB108W-31	37-13	1			NPJ41A-5	149-23	1
		EA-9901-79	81-22	1			NPB138-1	62-10	1			NPJ41A-6	149-23	1
		EA-9901-81	83-25	2			NPB148-1	62-10	1			NPJ47-2C	149-23	1
		EA-9901-82	83-25	2			NPB148-2	62-10	1			NPJ47-W-1	149-23	1
		EA-9901-83	83-24	2			NPB148W-14	64-11	1			NPJ48-16	149-23	1
		EA-9901-84	84-24	2			NFB148W-3	64-11	1			NPJ48-17T	149-23	1
		EA-9901-85	84-24	2			NPB148W-7	64-11	1			NPK46W-1	149-23	1
		EA-9901-86	84-24	2			NPC101-11	7-10	1			NPK47-1-24	149-23	1
		EA-9901-87	84-24	1			NPC101-12	7-10	1			NPK47AW-4	149-23	1
		EA-9901-88	84-24	2			NPC101-13	7-10	1			NPK47AW-5	149-23	1
		EA-9901-89	91-28	2			NPC101-18	7-10	1			NPK47W-1	149-23	1
		EA-9901-9	97-25	1			NPC101-19	7-10	1			NPK47W-1-24	149-23	1
		EA-9901-90	87-27	1			NPC101-2	7-10	1			NPK48-12	149-23	1
		EA-9901-91	133-25	1			NFC101-24	7-10	1			NPK48-12-24	149-23	1
		EA-9901-92	124-25	2			NPC101-25	5-10	1			NPK48-13	149-23	1
		EA-9901-93	132-20	2			NPC101-27	5-10	1			NPK48-5	149-23	1
		EA-9901-94	122-25	1			NPC101-28	5-10	1			NPK48-5-24	149-23	1
		EA-9901-95	144-28	2			NPC101-3	7-10	1			NPK48AW-1	149-23	1
		EA-9901-96	132-20	2			NPC101-4	7-10	1			NPK48AW-2	149-23	1
		EA-9901-97	132-20	1			NFC101-8	7-10	1			NPK48AW-6	149-23	1
		EA-9901-98	115-25	2			NPC101-9	7-10	1			NPK49-4	149-23	1
		EA-9901-99	115-25	2			NFC104-16	24-11	1			NPK49AW-2	149-23	1
		*ND11983	166-7	AR			NPC109-1	40-9	1			NPK49AW-3	149-23	1
		ND17747	157-9	20			NPC109-12	40-9	1			NPK49AW-7	149-23	1
		*ND17920	163-33	AR			NPC109-3	40-9	1			NPK49W-1	149-23	1
		ND17921	166-4	AR			NPC109-4	40-9	1			NPS101AN-18	56A-7	1
		ND17174	163-5	4			NPC111-1	42-9	1			NPC101AN-19A	56A-7	1
		ND20608	167-25	12			NPC124-10	44-9	1			NPS101AN-27A	56A-7	1
		*ND21754	118-39	11			NPC124-11	44-9	1			NPS101AN-44	56A-7	1
		*ND21902	168-4	AR			NFC124-12	46-9	1			NPS101AN-78	56A-7	1
		ND22449	164-2	4			NPC124-13	46-9	1			NPS124AN-39	48A-7	1
		*ND22724	169-31	4			NPC124-14	46-9	1			NPS124AN-52	48A-7	1
		*ND22738	169-30	8			NPC124-15	44-9	1			NPS124AN-65	48A-7	1
		*ND23148	169-18	1			NPC124-24	48-9	1			NPS124AN-82	48A-7	1
		NPAA100AN-48	62A-7	1			NPC124-25	48-9	1			NPS124AN-89	48A-7	1
		NPAA102AN-16	62A-7	1			NPC124-26	48-9	1			NPS124AN-94	48A-7	1
		NPA102AN-52	62A-8	1			NPC124-29	44-9	1			NPS124AN-102	48A-7	1
		NPAA148AN-19	62A-7	1			NFC124-30	44-9	1			NPS124AN-104	48A-7	1
		NPAA148AN-23-24	62A-7	1			NPC124-31	48-9	1			NPS150AN-12A	67A-6	1
		NPA100-2AB	1-11	1			NPC124-32	48-9	1			NPS150AN-24	67A-6	1
		NPA101-17	7-10	1			NPC124-4	44-	1			NPS150AN-7	67A-6	1
		NPA102-1	12-13	5			NPC125AN-2	49A-7	1			NPS150AN-8	67A-6	1
		NPA104-5	22-11	5			NPC140-6	54-9	1			NPS150AN-9	67A-6	1
		NPA104-8	22-11	8			NPC150-12	67-10	1			NPS150-13	67-10	1
		NPA104-9	22-11	9			NPC150-16	67-10	1			NPS303AN-1	67B-8	1
		NPA108-26	33-13	1			NFC150-24	67-10	1			NPS303AN-3	67B-8	1
		NPA108-839F	35-13	1			NPF101-1	5-10	1			NPT150AN-17	67A-6	1
		NPA108-839R	35-13	1			NPF101-11	7-10	1			NPT150AN-18	67A-6	1
		NPA143-1M	56-11	1			NPF101-12	7-10	1			NPU143-8	56A-7	1
		NPA143-4	59-11	1			NPF101-13	7-10	1			NPU143AN-8	56A-7	1
		NPAB148AN-19	62A-8	1			NPF101-8	7-10	1			WK-4-32S	70-11	12
		NPAB148AN-23-24	62A-8	1			NPF101-9	7-10	1			*100234	164-11	1
		NPAC102AN-52	62A-8	1			NPF102-29	18-12	1			*100294	159-10	10
		NPAD100AN-48	62A-8	1			NPF124-8	44-9	1			100440	157-10	10
		NPAD100AN-16	62A-7	1			NPF124-51	48-9	1			100441	158-20	14
		NPB100-5	1-11	1			NPF124-55	48-9	1			100442	157	1
		NPB100-6	1-11	1			NPF140-4	54-9	1			100610	164-20	1
		NPB100-7	3-10	1			NPF140-5	54-9	1			*100797	167-22	3
		NPB100-8	3-10	1			NPG100-10	3-10	1			100900	167-6	3
		NPB100-9	3-10	1			NPG100-11	3-10	1			*100969	163-1	1

RESCINDED

Property Classification		Part Number	Figure and Index Number	Total Qty.	Property Classification		Part Number	Figure and Index Number	Total Qty.
U.S. Army	U.S. Navy				U.S. Army	U.S. Navy			
		10122	10-8A	10			111488	159-36	AR
		10123	10-8C	10			111489	165-15	AR
		10124	10-8B	10		*	111490	158-54	20
		10125	10-10	10			111641	159-21	6
		10139	156-1L	10			111645	168	1
		10197	10-8	10		*	111646	168-21	1
		102041	167-17	12			111659	169-23	1
		102401	168-20	AR		*	111771	165-11	AR
*		103719	168-28	AR			113665	165	1
		103775	159-16	AR			113666	167-17	3
*		104476	165-41	10		*	115953	164-12	1
*		105324	168-36	45			116416	157-8	10
		105484	159-13	5		*	14765	168-13	60
*		105494	168-27	AR		*	17673	164-15	1
		106341	159-14	AR		*	20955	168-8	52
		106342	159-14	AR		*	21016	158-10	18
		106599	168-2	6 Pr.		+	22031	163-10	2
*		106939	68-8	12		+	22960	159-8	AR
		107765	64-7	1			23263	168-16	3
		108393	169-22	1		*	23320	168-11	60
		108394	169-24	1		*	24033	169-7	15
		108395	169-29	1		*	24035	169-5	15
*		108397	169-28	1			24379	163-36	1
		108398	169-27	1		*	24541	168-14	30
		108501	169-11	1			266086-1	150-11	1
*		108676	169-15	1		+	27036	163-17	2
*		109377	168-31	6		+	27080	163-16	2
*		109378	168-34	1		+	27081	164-5	AR
		109697	165-3	33		+	27083	163-40	AR
		109722	159-39	AR		*	27088	158-42	4
		109742	164	1		*	27197	169-6	AR
*		110026	165	1			27743	164-1	4
		110030	153-33	10		*	27771	157-15	AR
		110186	169-8	1		*	30153	167-10	10
		110189	158-44	6			302-16-2	169-13H	2
		110199	168-1	1		**	302-20-2	93-6	94
+		110632	163-24	1		*	30834	166-14	12
*		110805	158-46	11		*	33311	165-38	45
		110979	169-14	1		*	34029	165-35	4
*		111091	165-21	AR		+	37490	163-15	1
		111307	157-1	6			3992	64-4A	1
		111407	169-19	1			3992-1	9-4A	40
		111423	157-4	6			3992-14	67-4A	1
		111424	158-32	12			3992-16	67-8B	1
		111433	169-13	1			3992-2	62-4A	3
*		111435	165-29	30			3992-3	40-4A	7
		111482	157	1			3992-4	44-4A	10
		111485	159-33	5			3992-5	1-4A	6
*		111487	158-50	10			3992-7	26-4A	8

Section III
Numerical Parts List

EO 20-85BA-4

Property Classification		Part Number	Figure and Index Number	Total Qty.	Property Classification		Part Number	Figure and Index Number	Total Qty.
U. S. Army	U. S. Navy				U. S. Army	U. S. Navy			
		3992-9	54-4A	1					
		+42083	164-6	5			163-11	AR	
		*43652	165-2	33			165-11	AR	
		*43775	165-22	AR			165-11	AR	
		48141	165-1	1			163-30	AR	
		*52435	166-8	28			163-30	AR	
		*52438	169-2	12			166-24	1	
		*60914	164-16	1			166-23	1	
		626	163-4	2			168-18	18	
		+63105	164-17	1			136-31	AR	
		+63109	163	2			163	1 Pr.	
		63110	163-7	1			164-18	4	
		63113	163	1			163-35	1	
		*63115	163	1			163-31	AR	
		63116	163-22	1			163	1	
		*63117	163	1			168-17	18	
		+63124	164-10	2			168-27	AR	
		63125	163-21	2			163-18	1	
		63126	163-41	4			37-9	4	
		63127	163-38	AR			166-22	1	
		63129	163-39	2			163	1	
		63130	163-9	2			163	1	
		63327	163-14	1			163-31	AR	
		63328	163-37	1			163	1	
		63367	163-32	1			163-8	2	
		+64009	163-12	1			163	1	
		64088	163-25	1			70-30	AR	
		64089	163-26	1			70-44	AR	
		*64093	163	1			70-48	AR	
		65076	164-4	1			8262B	155-45	AR
		+65207	163	2			8262D	133-38	7
		+65652	163-24	AR			8262F	115-45	3
		660-51	71-7	150			8262H	144-41	1
		67969	163-3	2			82756	166-21	1
		+67993	163-19	2			8298	137-40	9
		+69677	159-9	20			8322	80-22	3
		*69687	163	2			83676	166-1	24
		70366	16-9F	8			*84134	167-16	3
		70400-1	26-9A4	51			84141	159-1	8
		704002	1-7A4	6			84155	158-17	9
		70401-1	26-10	36			*84156	168-33	33
		70401-2	14-10C	52			*84158	168-32	33
		70401-3	1-8D	12			84161	168-38	1
		70401-4	64-9D	4			*84168	165-40	6
		70558	14-11	16			84183	165-10	6
		+7093	163-13	1			84284	165-13	31
		*71068	164-14	1			*84286	159-4	12
		*71086	163	1			*84289	168-42	30
		71229	163-2	1			84291	157-4	9
							84292	158-2	18

Property Classification		Part Number	Figure and Index Number	Total Qty.	Property Classification		Part Number	Figure and Index Number	Total Qty.
U.S. Army	U.S. Navy				U.S. Army	U.S. Navy			
	*84293		168-26	1		84384	167-13	3	
	*84294		158-2	3		86148	163-23	1	
	84317		166-17	1		86149	163	1	
	*84318		166-6	1		*86995	164-13	1	
	*84323		166-16	1		*88239	168-25	12	
	84325		166-12	1		*88904	167-14	3	
	*84326		166-13	1		*89179	159-7	38	
	*84331		168-9	30					

RESCINDED

Section III
Numerical Parts List

EO 20-85BA-4

Property
Classification
U.S. U.S. Part Number
Army Navy

Figure and Index Number	Total Qty	Property Classification		Part Number
		U.S. Army	U.S. Navy	
89488	166-18	24		89576
89489	168-7	30		†89731
89496	165-23	6		†91525
89497	168-43	AR		91994
89566	163-6	6		*92140
				92142

Figure and Index Number	Total Qty	Property Classification		Part Number
		U.S. Army	U.S. Navy	
157-16	AR			*93102
164-19	4			*93119
13-29	1			†93291
167-12	3			*93799
169-21	10			93800
158-1	9 Pr.			

Figure and Index Number	Total Qty
167-15	3
169-26	2
163-11	2
167-23	3
167-21	3